

# Tracks Channels and Extrusions



Plastic and Aluminium Extrusions combined with the necessary fittings to enable their use for many diverse applications.

See also the range of spacers, suspensions, Drawer Slides, Handles, Knobs, Screw Caps & Covers and many other injection moulded components available in the Kuri Kunststoff catalogue

Chasmood can also supply Hand-wheels, Knobs and Handles for a variety of applications.

Call our sales team for details

# Tracks & Channels

## Plastic Tracks

Chasmoood plastic tracks are extruded to close tolerances using high grade plastic.

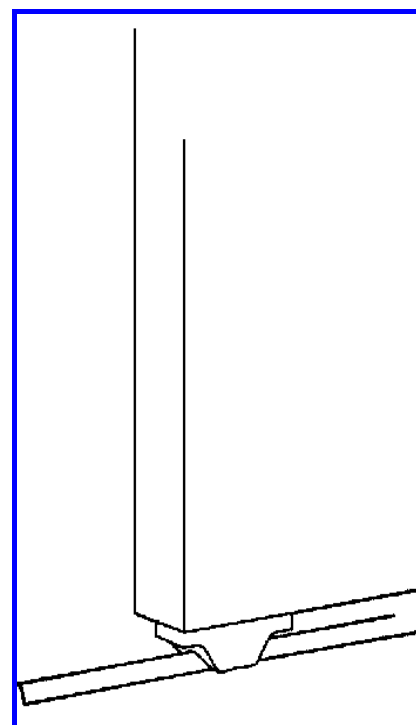
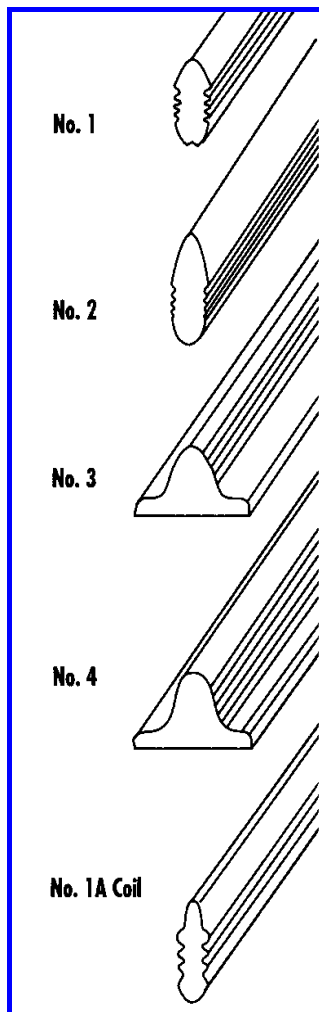
They are intended for use in applications where price is important without sacrificing quality and durability. e.g. for sliding systems, 'trade guides' and supermarket

### For Doors up to 7Kg.

No.1 Track for grooving in  
No.3 Track for surface fixing  
No1 Sliders

### For Doors up to 12Kg.

No.2 Track for grooving in  
No.4 Track for surface fixing



Specification	No.1	No.2	No.3	No.4	No.1A Coil
Overall Height	12.7	15.8	6.3	7.9	12.7
Overall Width	3.9	4.7	11.1	11.1	4.7
Stock Length	2 Metres	2 Metres	2 Metres	2 Metres	30 Metres
Groove Depth	7.9	9.5	-	-	5.5
Colours	Black	Black	Black	Black	Black White

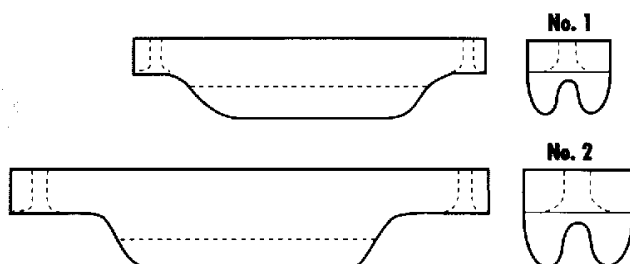
## Nylon Sliders

### No.1

Use with No.1 and No.3 tracks

### No.2

Use with No.2 and

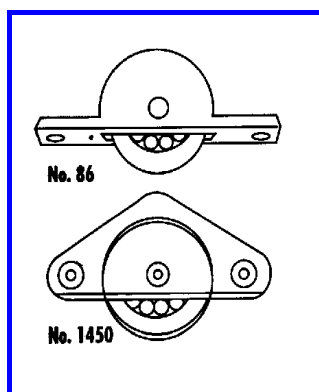


Spec.	No.1	No.2
Height	10	12
Width	9	12
Length	46	60
Colour	White	White
Load Capacity	Per Door 7	Per Door 12

## Wheel Runners

Quality Fittings for sliding cabinet doors, wardrobes, safety screens, partitions, display and notice boards etc.

No 86 Roller is bottom mortise fixing.  
No 1450 Roller is back mortise fixing.



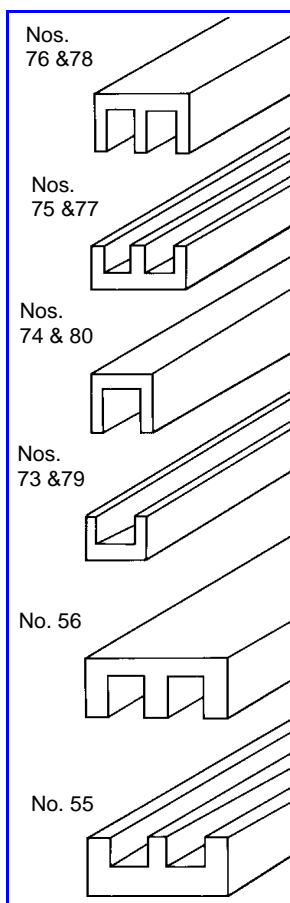
Spec.	No.86	No.1450
Height	28	30
Width	11	11.7
Length	52	50
Mortise	18.2	9.5
Type	Ball	Ball
Colour	Brown	Brown
Wheel	6	6
Load Capacity	20 Kgs. Per wheel	20 Kgs. Per wheel

**Chasmoood**

Chasmoood Ltd.

Unit 8 Weydown Road Ind. Est., Haslemere, Surrey, GU27 1DW  
Tel. 01428 641655 Fax. 01428 641654 E-Mail info@ chasmoood.com

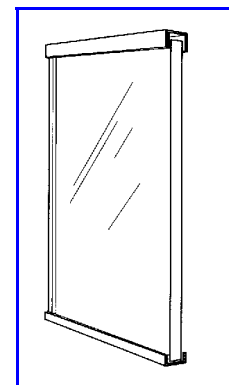
## Plastic Channels



High quality PVC for long life and smooth action. Can easily be joined with a clean butt joint, thus minimising wastage.

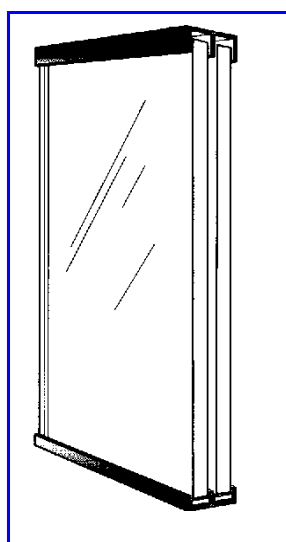
Stock lengths are 2 metres.

Available in Black. Other colours to order



Type		Overall Height	Overall Width	Groove Width	Groove Depth
For 4.7mm Glass	No.77 Double	9.5	16.67	5.56	6.35
	No.78 Double	12.7	16.67	5.56	9.5
For 6.35mm Glass	No.73 Single	9.5	10.32	7.14	6.35
	No.74 Single	12.7	10.32	7.14	9.5
	No.75 Double	9.5	19.84	7.14	6.35
	No.76 Double	12.7	19.84	7.14	9.5
	No.55 Double	12.7	25.4	7.14	9.5
	No.56 Double	12.7	25.4	7.14	6.35
	No.79 Single	9.5	15.8	11.11	6.35
	No.80 Single	14.2	15.8	11.11	11.11

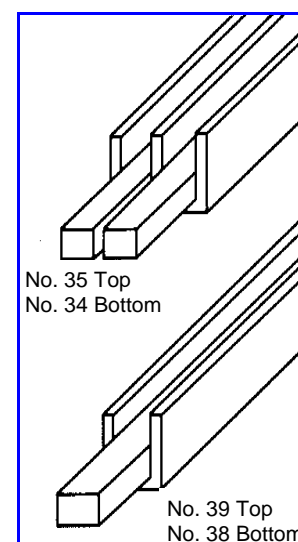
## Polished Aluminium Channels



Recommended for 6mm float glass, plywood or hardwood panels.

The bottom channel has a rigid PVC insert approximately 5mm thick to ensure that the doors slide smoothly. Panels should be cut 12.7mm less than the height of the opening, to allow the glass to be lifted out. For doors up to 11.5Kg.

	Overall	Overall	Groove	Groove
No.34	11.1	19	7.4	4.7
No.35	11.1	19	7.4	9.5
No.38	11.1	10.7	7.4	4.7
No.39	11.1	10.7	7.4	9.5

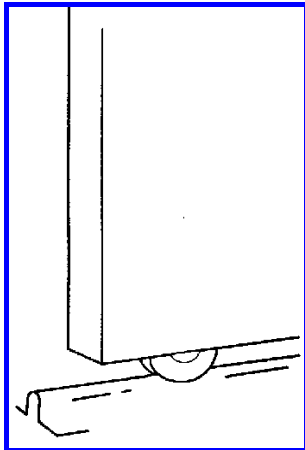


### Chasmoood

Chasmoood Ltd.  
Unit 8 Weydown Road Ind. Est., Haslemere, Surrey, GU27 1DW  
Tel. 01428 641655 Fax. 01428 641654 E-Mail info@ chasmoood.com  
Website www.chasmoood.com

# Rolla-Kosta Sliding Door System

## Track and Wheel System



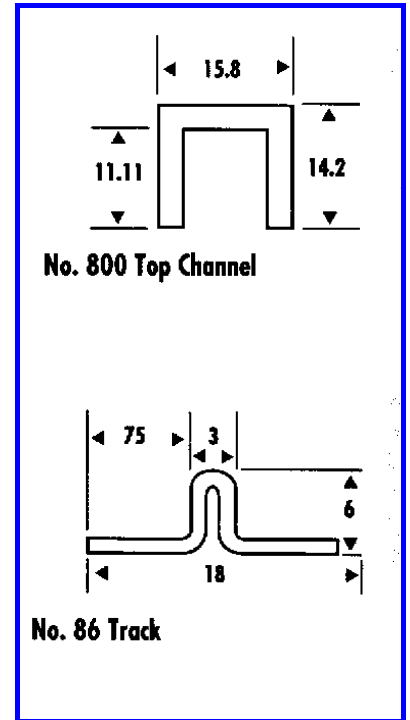
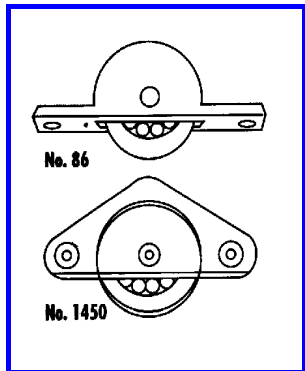
Rolla-Kosta Sliding system provides quiet running and a long life.

Ideal for MDF, MFC, Blockboard and Solid Wood Doors.

A matching Top Channel and retractable top guide makes the whole system quick and easy to install.

Finished in Lava Brown to blend with veneers.

The No.86 Bottom Track is steel bonderised and epoxy coated to resist rust. Wheel units with steel ball bearings for free running encased in a glass reinforced nylon tyre for strength and effortless movement.



### Technical Information

For doors up to 20mm thick use the No,1450 roller with either No,42 or No.43 Guide.

For doors over 20mm thick use the No.86 roller with either No,44 or No.45 Guide.

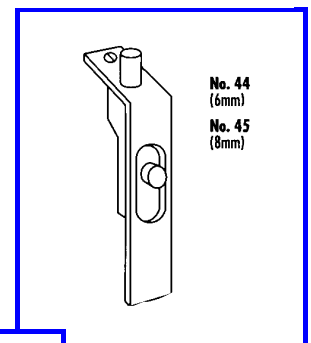
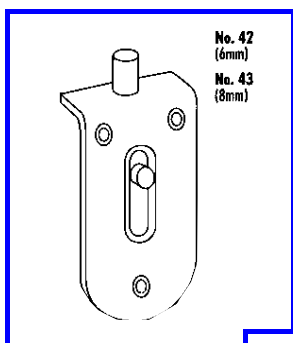
Use No.800 top track with No.43 & No.45 Guides

### Top Guides

Retractable Top Guides have spring loaded push button pins enabling doors to be removed instantly for cleaning, decorating or easy access.

A choice of back or end fixing.

Available in Zinc galvanised finish

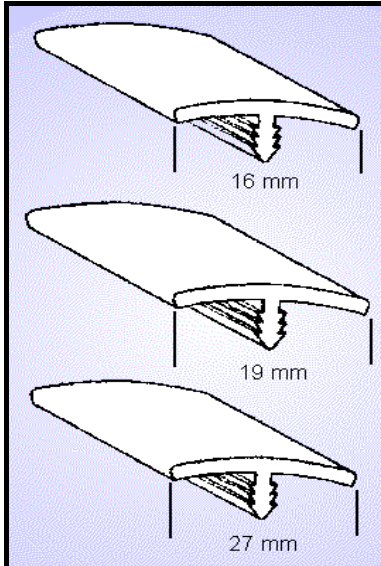


	Overall Height	Overall Width	Fixing	Dia of Pin	Height of Pin
No.42	57	35	Back Mortise	6	10
No.43	57	35	Back Mortise	8	10
No.44	57	13	End Mortise	6	10
No.45	57	13	End Mortise	8	10



# PLASTIC EXTRUSIONS

7.4



## TABLE EDGINGS

A range of flexible P.V.C. T-edgings designed to give a colourful and protective edge to most popular sizes of board.

Easily fitted to pre-routed grooves.

Tongues are approximately 3.5 mm thick and 8 mm deep.

Wide range of colours to suit your project.

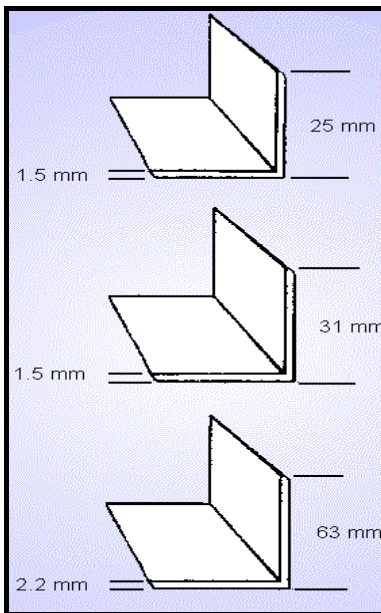
### Stock Colours:

Black	White
Grey	Blue
Green	Yellow
Red	Brown
Beige	

### Stock Lengths:

50 metre coils

Special colours & lengths available on request



## ANGLES

Angles are ideal to protect exposed corners from unsightly knocks, chips and scratches.

Heavy enough for structural applications.

A fast, cost effective way to provide a neat protective edge.

Extruded to close tolerances in rigid P.V.C. using high grade materials.

This range has many potential uses.

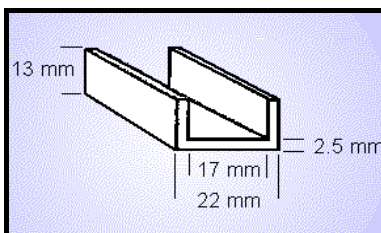
### Stock Colours:

Black  
White

### Stock Lengths:

3 metres

Special colours & lengths



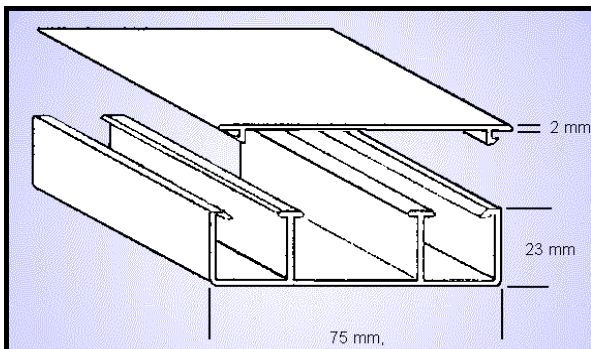
## No 94 SINGLE CHANNEL

Originally designed as a drawer slide this rigid, single P.V.C. channel is also suited to many applications including sliding doors and shelf edging.

### Stock Colours:

White

### Stock Lengths:



## 3 COMPARTMENT TRUNKING

A rigid cable management profile specifically designed to conceal and carry Telephone, Computer and power cables in separate channels.

### Stock Colours:

Brown  
Grey

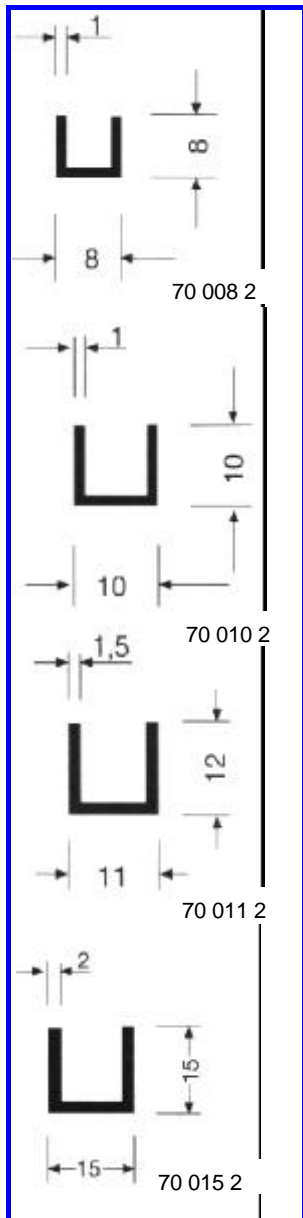
### Stock Lengths:

2 metres

**Chasmod**



# ALUMINIUM EXTRUSIONS



## U-CHANNELS

Aluminium U- Channels Available in 5 Metre Lengths. Two Lengths per pack

Finishes:

Raw

Sanded Polished Chrome Plated

White Powder Coated RAL9010

Silver Anodised

Gold Anodised

Dark Bronze Anodised

Other colours available on request

## Angles

Aluminium Angles Available in 5 Metre Lengths. Two Lengths per pack

Finishes:

Raw

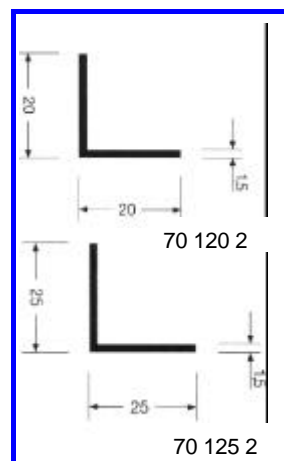
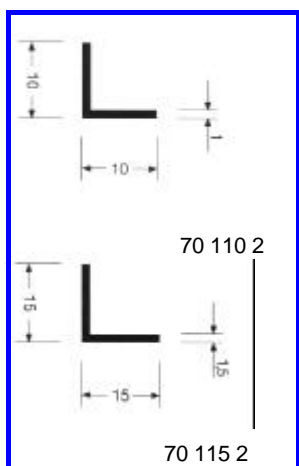
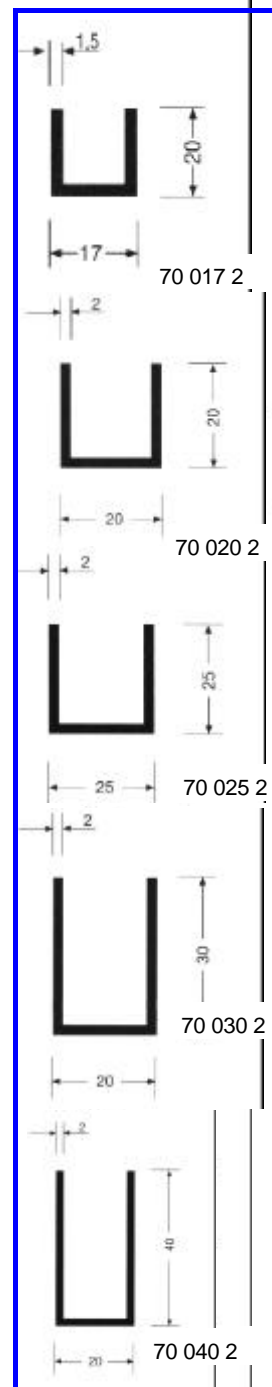
Sanded Polished Chrome Plated

White Powder Coated RAL9010

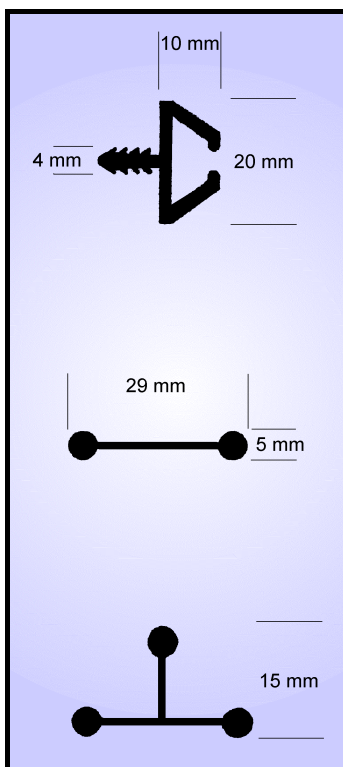
Silver Anodised

Gold Anodised

Dark Bronze Anodised



# SCREEN JOINER PROFILES



Rigid P.V.C. screen edge profiles combined with flexible dumbbell sections.

Together they provide a simple but effective method of joining office and display partition screens into unlimited combinations and designs.

Easy to fit:

Simply route grooves in the vertical edges of your panels, cover the panel in the decoration of your choice, fit the screen joiner profile and assemble your panels together with the dumbbell sections.

## Stock Colours

### Screen Edge

Black  
Light Grey

### Dumbell

Black

## Stock Lengths

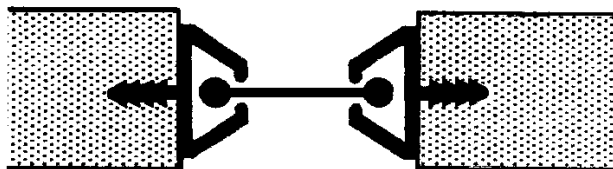
### Screen Edge

2 metres

### Dumbell

50 metre coils

Special Colours and lengths available on request



## Chasmood

Chasmood Ltd.  
Unit 8 Weydown Road Ind. Est.  
Haslemere Surrey GU27 1DW

1.7

# **SPECIAL INTRODUCTORY OFFER**

**New**



## **SOFFIT VENTS**

80mm O.D.

**Only £12.00 Per 100**

500 Units Carriage Paid

Call our sales hotline for quantity discounts on

**TELEPHONE 01428 641655**

**FAX 01428 641654**

**E-MAIL [INFO@CHASMOOD.COM](mailto:INFO@CHASMOOD.COM)**

**Chasmoood**

Chasmoood Ltd.  
Unit 8 Weydown Road Ind. Est.  
Haslemere  
Surrey  
GU27 1DW