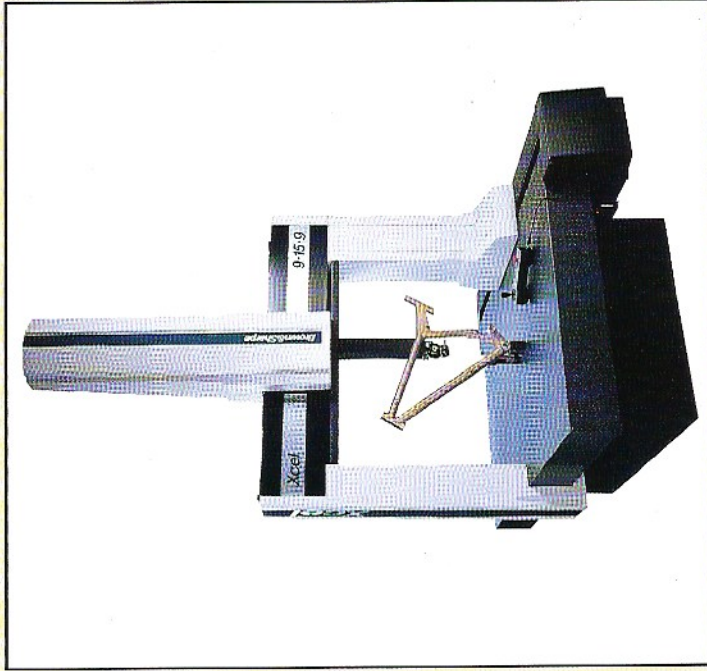


# Sub Contract Measuring Service

Kinematic Engineering Ltd. have invested in the high performance Brown & Sharpe Xcel 9-15-9 Co-Ordinate Measuring Machine which in addition to our MicroPCR CMM will offer a fast & reliable dimensional measuring service to industry.



*We can solve problems arising from:-*

- Moulds and Pattern Inspection
- First off Inspection
- Dimensional Certification
- Batch inspection long or short runs
- Tooling setting inspection
- Fixture setting verification
- Vendor dispute arbitration
- Reverse Engineering of parts to drawings

# CMM Sales

Kinematic can supply all your needs for Co-Ordinate Measuring machines. Brown & Sharpe CMM's can be demonstrated. Operator & programmer training in house or off site. Turnkey projects that include applications a speciality.

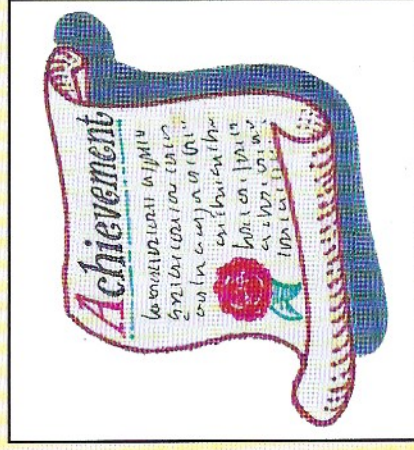
# CMM Service

Kinematic service and calibration of the Brown & Sharpe MicroPCR is another speciality. Our staff are fully conversant with all aspects of this CMM and it's applications. You can be sure your production will continue with minimal interruption. We normally offer 24 hour first class service for your CMM

# Application Training for CMM Programmers & Users

Brown & Sharpe CMM training courses for all levels of user & programmer skills

- Operators training in use of your CMM
- Micromasure 1V Software programming
- Avail Software programming
- Micromasure 3 Software programming
- Upgrades & Training in PC DMIS
- Certificates of competence awarded



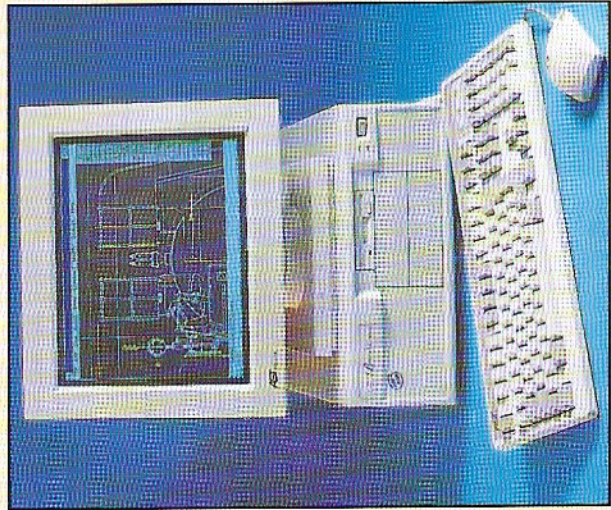
A Measure of Success.



# Design Service AUTOCAD

Using AutoCad we can offer design solutions for all your engineering needs. Please call to discuss any requirements you may have for the following:-

- CMM Inspection Component Fixtures
- Tooling Fixtures
- Output to DMIS - IGES - DXF
- Reverse Engineering Data
- General Design



## MEASUREMENT SERVICE CAPABILITY

You are concerned that you or a customer requires an Inspection report, or Statistical Data for a batch of products. Now what? Contact Kinematic, we have invested in the worlds leading Co-Ordinate Measuring Machines to provide for just these situations. When inspection accuracy and reliability is required we will not be found wanting. All our machines are equipped with "State of the Art" Geometric Software and Renishaw Touch Trigger Probe Technology to ensure efficiency and accuracy. If your field of Engineering is Manufacturing, CNC or Conventional, Toolmaking, Assembly, Fabrication, Sheetmetal, Mould/Pattern Making, Injection Moulding or any other of the Precision Trades and you supply First off and Batch production, One off simple or complex components, Fixtures, Assemblies etc. You need some or all of the following services.

### We are here to help.

Reverse Engineering, Design analysis, Process or Fixture Qualification, First and Final Inspection, Process control etc.

#### XCEL 9-15-9 Bridge Type

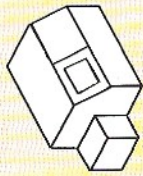
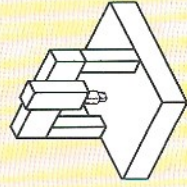
WORK CAPACITY 104cm x 210cm x 89cm  
Measuring Accuracy

VDI/VDE U3:(mm) 0.004 + 0.0045 L/1000

#### MICROPCR Horizontal Type

WORK CAPACITY 22cm x 21cm x 38cm

Measuring Accuracy 10µm B89 volumetric USA



# Kinematic Engineering Ltd.

26 Tyne Road

Sandy

Beds, SG19 1SA

Tel: 01-767-680300

Fax: 01-767-680400