



Elevator  
**VPL800- Heavy Duty**  
Comfortable, silent, elegant



- Only occupies the space strictly necessary to ensure the user's comfort and safety
- Various personalisation options
- Suitable for both indoor and outdoor installation
- Quick to install with no major building work required
- Reliable, and with a capacity of no less than 500 kg
- On-board telephone and infrared barriers on three sides walls ensuring a safe ride
- Premier Platform lifts quality guarantee



#### Design

Premier's focus on styling is expressed through the shapes and materials chosen to express wellbeing, attention to details, and a love of our work



- **VPL 800** When the installation requires a lift able to take Loads of considerable size and weight, the VPL800 Heavy Duty allows the transportation of trolleys, beds and other Objects which require extra space, without difficulty and while maintaining a stylish appearance.

- **Versatile**  
The VPL800 lift gives added value to its setting, through simple tailor-made installations, both indoors and out. Available from two to five floors, it is an ideal system both for renovation projects and for new buildings: no masonry work required

- **Comfortable and safe**  
Quiet and discreet, it can be used in complete comfort and Safety thanks to the state-of-the-art technical features that safeguard users in operation, with protected, user-friendly controls.



**Experience**  
Premier Platform Lifts are market leaders, and have been designing and building tailor-made installations to improve quality of life for all access needs, both in the home and in public buildings for many years.

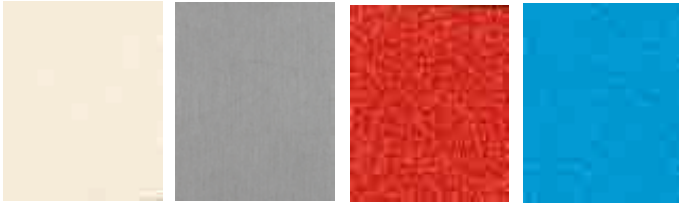


- **Customisable**  
The VPL800 lift is tailor-made not only in its functions but also in its personalised combinations; the colours and trims available enable the VPL800 to fit perfectly into any environment, whether a home or a public building.

# COLOURS

## CABIN WALLS

### COLOUR SERIES



Beige  
(standard)

Grey

Red

Blue

# COLOURS

## CABIN PLATFORM

### RUBBER SERIES    SAFE STEP SERIES



Grey  
(standard)

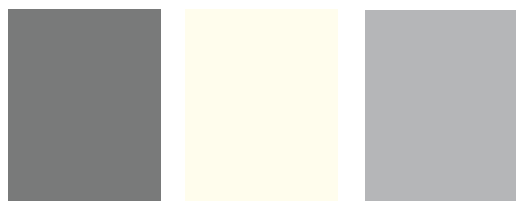
Light Grey

Dark Grey

Red

Light Blue

## SUPPORTING STRUCTURES



RAL 9023  
(standard)

RAL 1013

RAL 9006

VPL 800 offers you a many customisation options, starting from the walls of the cabin, available in different finishes and colours, through the platforms, in fine materials in a variety of shades. A wide choice of structure finishes are available to provide the best match with the surrounding colours and environment.

# ACCESSORIES

## Doors



Panoramic, in aluminium;  
lightness at hand



Panoramic hollow veneered



Hollow veneered  
with vision panel

# ACCESSORIES

## Handrail



Rich Series

Choosing your VPL800's materials, colours and special comforts will be a thrill experienced every time you enter the cabin.



# ACCESSORIES

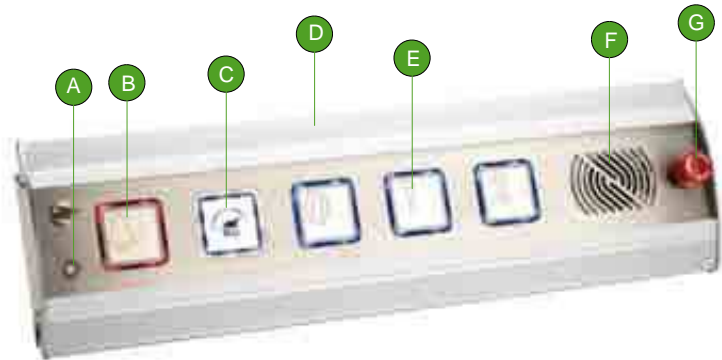
## Control panels

- A) I-button, for electronic access floor controls
- B) Alarm pushbutton
- C) Load indicator
- D) Integrated handle
- E) Floor control button
- F) Loudspeaker
- G) Stop/emergency pushbutton



Floor control panel  
(standard)

- A) LCD display with travel indicator
- B) Call button: green when lift is free, red when busy
- C) Loudspeaker
- D) I-button, for electronic access control



On-board control panel  
(standard)

## Cabin lighting



Four spotlights  
(standard)

# VPL800 – Heavy Duty Platform Lift

## The right choice, the choice of taste

- **The Public Access lift that increases convenience and prestige.**

The VPL800 is intended for everyone who gives priority to their own wellbeing and that of their visitors. Comfortable and safe, it fits into any context, guaranteeing your premises a prestige installation that will increase its value.

- **Convenient, effortless**

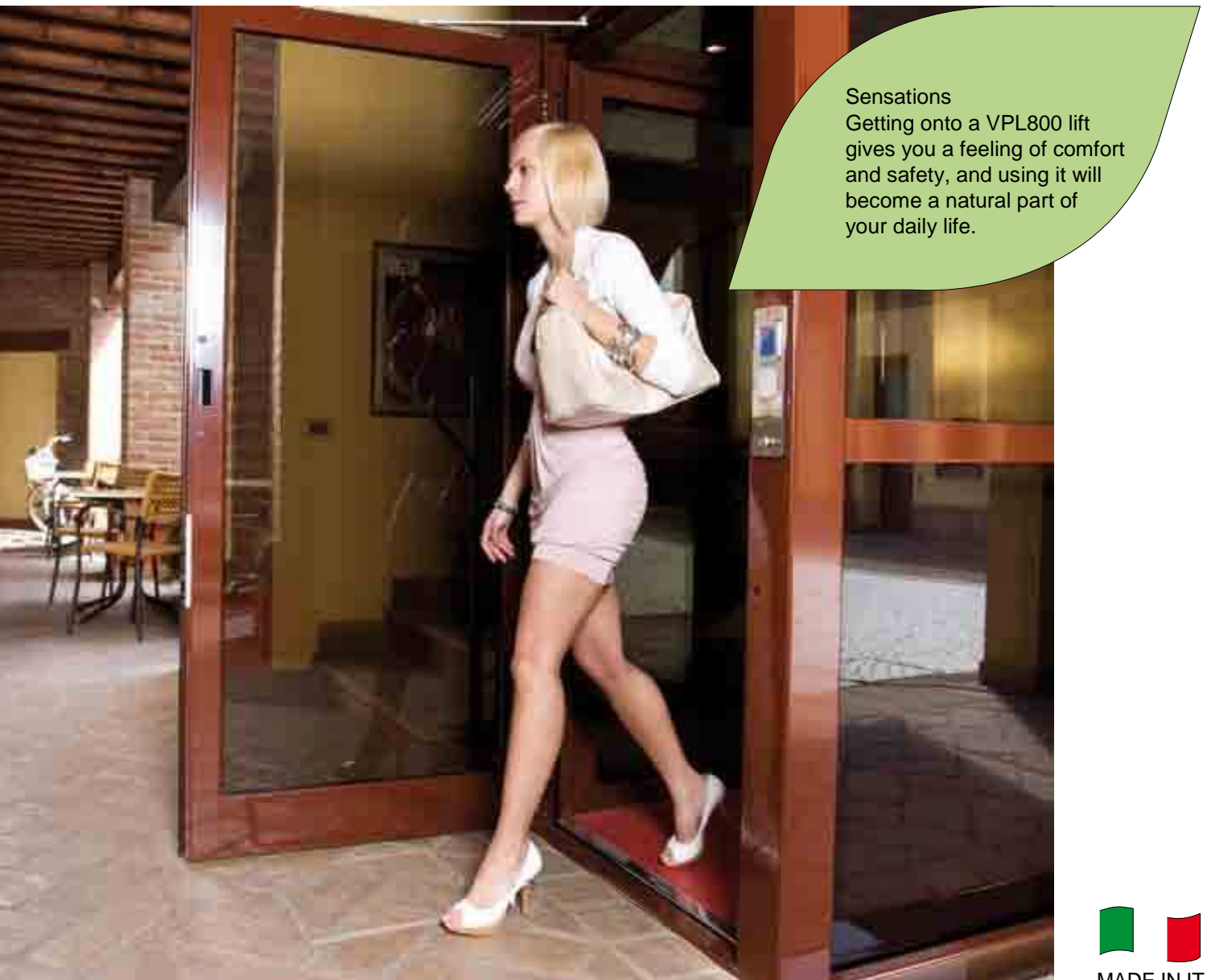
Quiet and discreet, it is absolutely convenient even for transporting the shopping, child buggies, and any other heavy or bulky item from one floor to another within any building. With the VPL800, getting around the premises could not be easier.

- **Customisable**

You and your building deserve a lift which is tailored to suit you not only in its functions but also in its design and personalised finishes; the colours and trims available ensure your VPL800 is just as you want it, the perfect match for its context and your taste.

- **Reliable**

The Premier Platform Lifts technology guarantees you a product at the state of the art from every point of view. The manufacturer's warranty allows you to cut servicing costs and enjoy all the benefits of quality construction.



### Sensations

Getting onto a VPL800 lift gives you a feeling of comfort and safety, and using it will become a natural part of your daily life.



MADE IN ITALY



## VPL800 with structure

The VPL800 lift has state of the art structures in terms of strength, versatility and design.

These structures can be customised with different types of glass panelling to suit installations of all kinds, with tailor-made versions and installations even in particularly difficult contexts.

A Premier Platform outdoor lift never requires invasive building works: installation is completed quickly and with great care, thanks to our network of skilled installers always up to date with the latest products and techniques.



# TECHNICAL DATA

VPL800 by Premier Platform Lifts is an extremely versatile hydraulic lift:

- **Customisable** to the needs of the user and the building.
- Ideal both for **renovation projects** (easy to install in existing shafts) and in **new installations**, since special building works such as an extra room to house machinery, or a pit underneath the lift, are not required.
- The pit required is truly negligible, since a recess just 12 cm deep is all that is needed.
- The lift runs on the standard voltage of 220/240 V and its power consumption is 1.8 kW
- **Compliant with the UNI EN 81/41 standard / Certified to Machinery Directive EC 2006/42**

## VPL800

### (IN COMPLIANCE WITH THE UNI EN 81/41)

<b>Working load</b>	500 Kg to 600Kg
<b>Travel</b>	8.5 m
<b>Speed</b>	0,15 m/sec
<b>Pit</b>	120 mm for masonry shaft; 140 mm for structure
<b>Cabin “enclosed” with walls or infrared barriers</b>	
<b>“Simple Touch” calling to floor</b>	
<b>Arrival and departure with soft start/stop system</b>	
<b>Device for communication with outside of cabin</b>	
<b>Automatic safety levelling within</b>	+/- 20 mm
<b>Load-bearing roof</b>	
<b>Certified safety valve</b>	
<b>Electric locks with En 81-2 certification</b>	UNI EN 81-2
<b>Electrical system</b>	
<b>Power</b>	1.8 Kw
<b>Mains voltage</b>	230V-Mono
<b>Motor power supply voltage</b>	230V
<b>Auxiliary power supply voltage</b>	24V

### 10 standard configurations of platforms

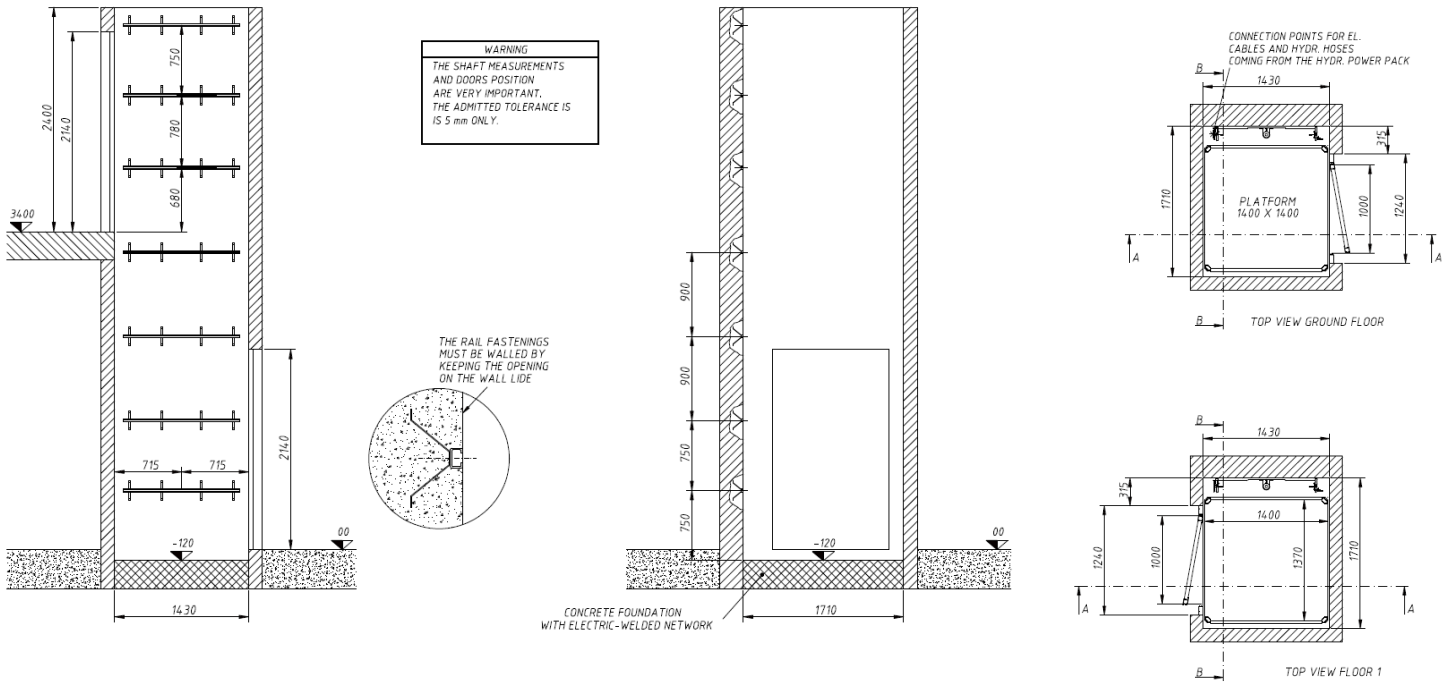
1400x1300 1400x1400 1600 x 900 1600x1000 1800x900 1800x1000  
2000x900 2000x1000 2200x900 2200x1100

Data are guideline and not binding. Premier Platform Lifts reserves the right to make any changes it considers appropriate.

# TYPICAL OVERALL SPACE REQUIREMENTS

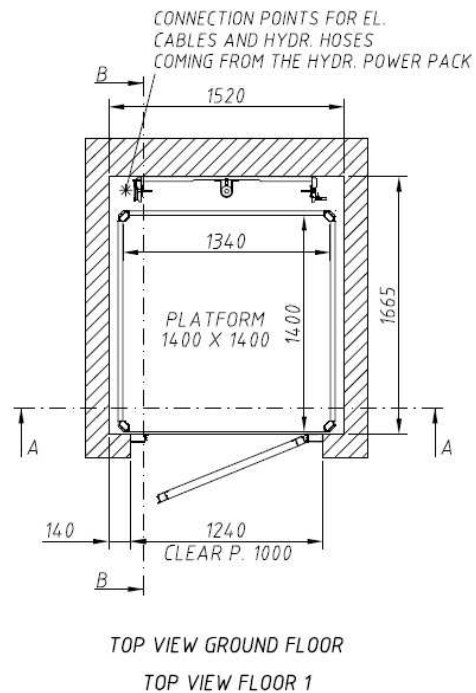
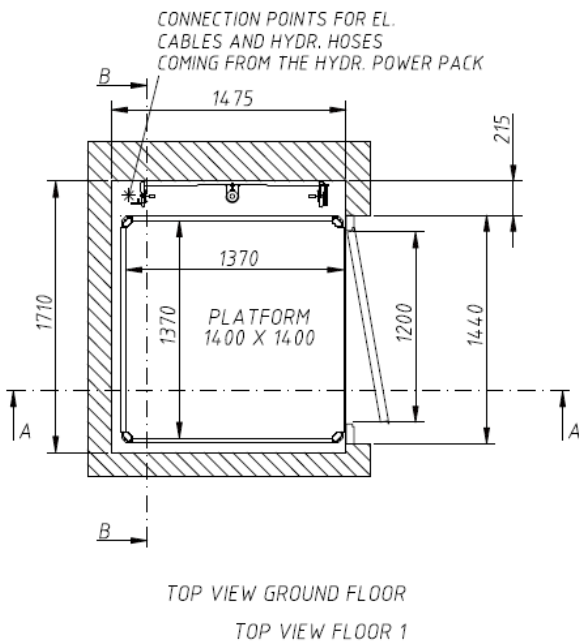
## MASONRY SHAFT

### Through Entry/Exit with 1400mm x 1400mm Platform



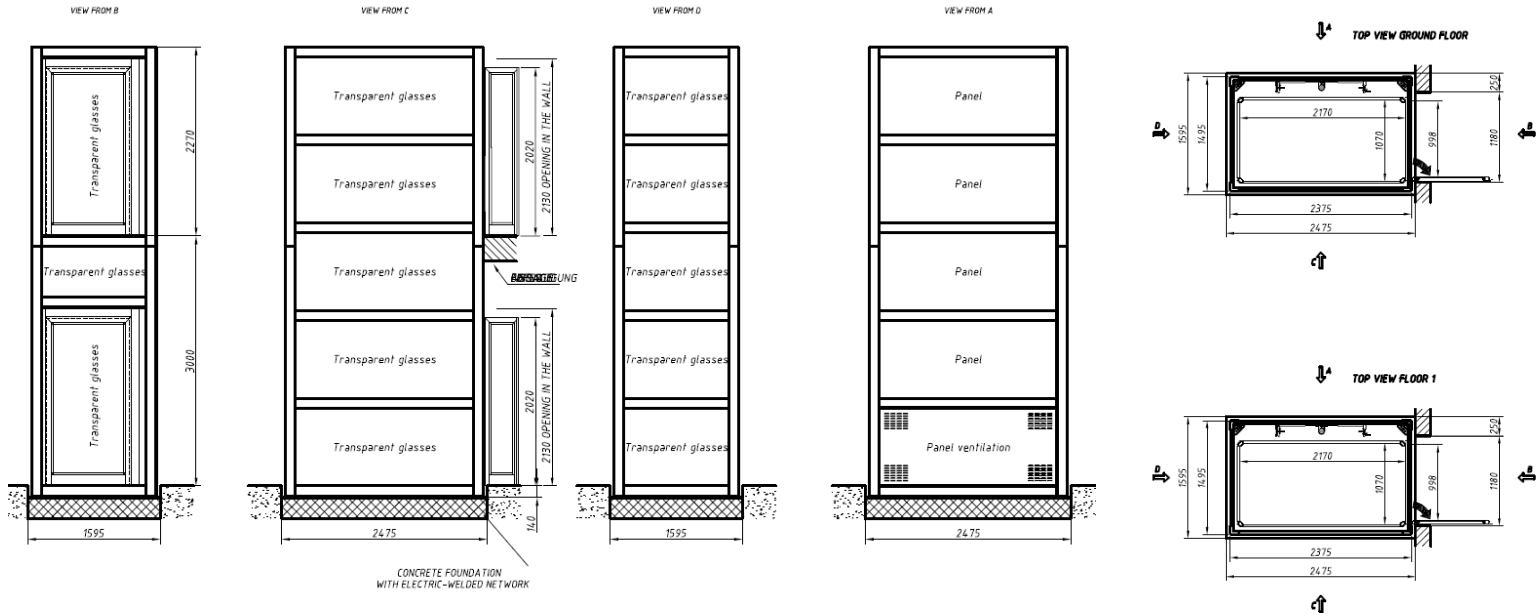
### Single Entry/Exit with 1400mm x 1400mm Platform

### Single 'Ruck sack' Entry/Exit with 1400mm x 1400mm Platform

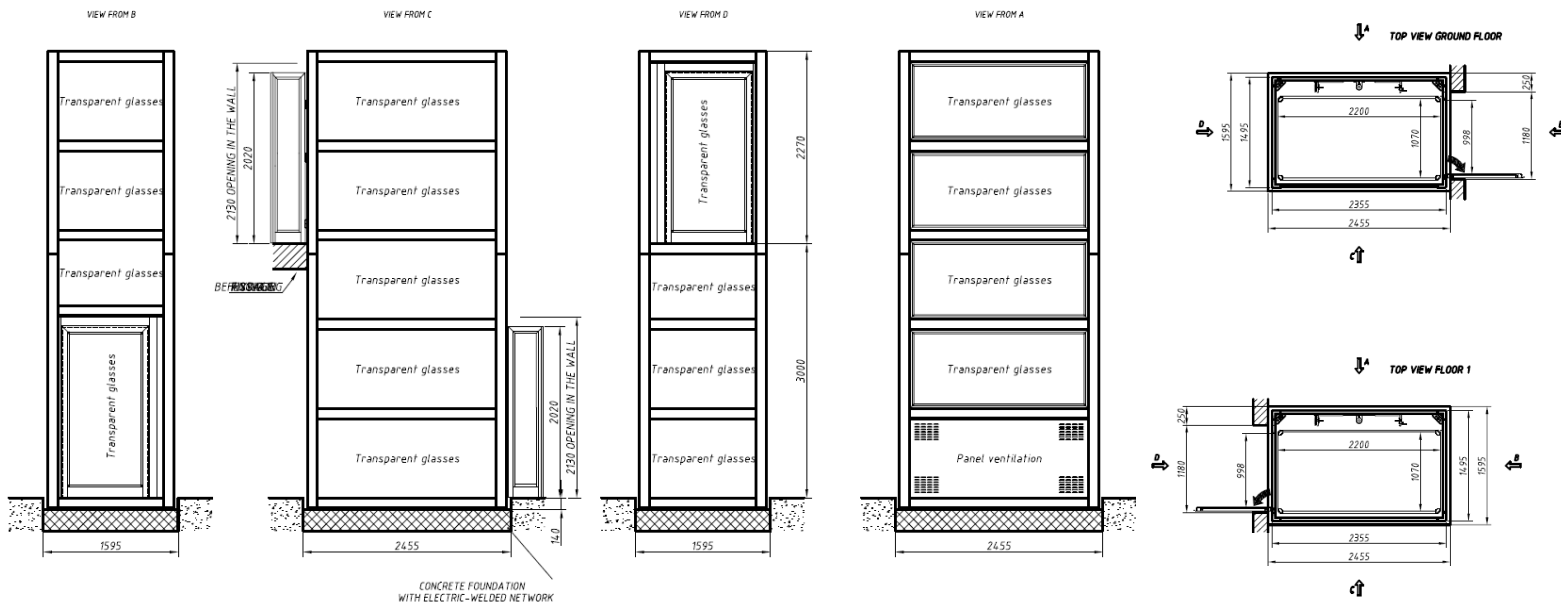


# STRUCTURE

## Single Entry/Exit with 2200mm x 1100mm Platform



## Through Entry/Exit with 2200mm x 1100mm Platform



Data are guideline and not binding. Premier Platform Lifts reserves the right to make any changes it considers appropriate.



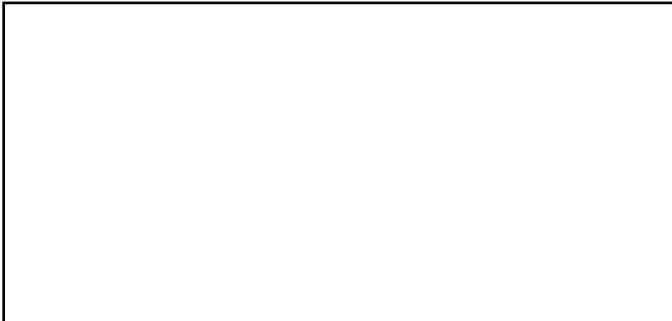
Premier Platform Lifts Limited  
120 Bath Road,  
Harlington,  
Heathrow  
UB3 5AN

Telephone: 0203 355 0523

Fax: 0203 411 6770

Web: [www.premierplatformlifts.co.uk](http://www.premierplatformlifts.co.uk)

Email: [info@premierplatformlifts.co.uk](mailto:info@premierplatformlifts.co.uk)



283/M

7510238-031011



### **Guaranteed product**

The VPL800 elevator is guaranteed for 12 months from the date of consignment

### **PSP: at partners' service**

Partner Support Program: a manufacturer exclusive for its partners, aiming to supply each of them, all over the world, with a series of personalised tools for developing their business and offering the end user a better and better service. This programme includes an introduction to the concepts of "accessibility", specific classroom training courses and training in the field for sales staff and engineers, analysis and assistance for the development of the most appropriate market strategies, and backup for the organisation of seminars (e.g. for architects, civil engineering firms, etc.) and for participation at trade fairs. Close co-operation with its partners guarantees Vimec constant improvement of its degree of knowledge of the various markets and thus of their varying needs in terms of accessibility, which translates into the design of suitable products. All oriented towards better management of customer relations, and the achievement of full customer satisfaction.