



Elevator

VPL500- Public Access

Comfortable, silent, elegant



Premier
Platform Lifts
www.premierplatformlifts.co.uk



- Only occupies the space strictly necessary to ensure the user's comfort and safety
- Various personalisation options
- Suitable for both indoor and outdoor installation
- Quick to install with no major building work required
- Reliable, and with a capacity of no less than 400 kg
- On-board telephone and infrared barriers on three sides walls ensuring a safe ride
- Premier Platform lifts quality guarantee



Design

Premier's focus on styling is expressed through the shapes and materials chosen to express wellbeing, attention to details, and a love of our work



- **VPL 500** meets the needs of two different types of user: on the one hand, public and private facilities in search of ways of overcoming architectural barriers through an installation that fits perfectly into its context; on the other hand, perfect for wheelchair users who require a vertical lift as the means of moving between floors, providing Part M compliance .

- **Versatile**
The VPL500 lift gives added value to its setting, through simple tailor-made installations, both indoors and out. Available from two to five floors, it is an ideal system both for renovation projects and for new buildings: no masonry work required

- **Comfortable and safe**
Quiet and discreet, it can be used in complete comfort and Safety thanks to the state-of-the-art technical features that safeguard users in operation, with protected, user-friendly controls.



Experience
Premier Platform Lifts are market leaders, and have been designing and building tailor-made installations to improve quality of life for all access needs, both in the home and in public buildings for many years.



- **Customisable**
The VPL500 lift is tailor-made not only in its functions but also in its personalised combinations; the colours and trims available enable the VPL500 to fit perfectly into any environment, whether a home or a public building.

COLOURS CABIN WALLS

COLOUR SERIES



Beige
(standard)



Grey



Red



Blue



Platinum

STEEL SERIES

STAINLESS SERIES



Linen

WOOD SERIES



Cherry

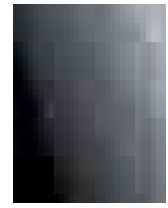


Beach

GLASS SERIES



Transparent



Smoked

COLOURS CABIN PLATFORM

RUBBER SERIES



Grey
(standard)

SAFE STEP SERIES



Light Grey



Dark Grey



Red

WOOD SERIES



Wild Pear
(standard)

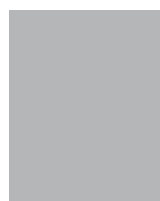
SUPPORTING STRUCTURES



RAL 7040
(standard)



RAL 1013



RAL 9023

VPL 500 offers you a hundred customisation options, starting from the walls of the cabin, available in different finishes and colours, through the platforms, in fine materials in a variety of shades. A wide choice of structure finishes are available to provide the best match with the surrounding colours and environment.

ACCESSORIES

Doors



Double hinged, in glass, for an elegant, stylish effect



Panoramic, in aluminium; lightness at hand



Panoramic hollow veneered



Hollow veneered with vision panel



For "Single Touch" operation, choose the fully automatic stainless steel cabin door



Choosing your VPL500's materials, colours and special comforts will be a thrill experienced every time you enter the cabin.



Automatic telescopic doors

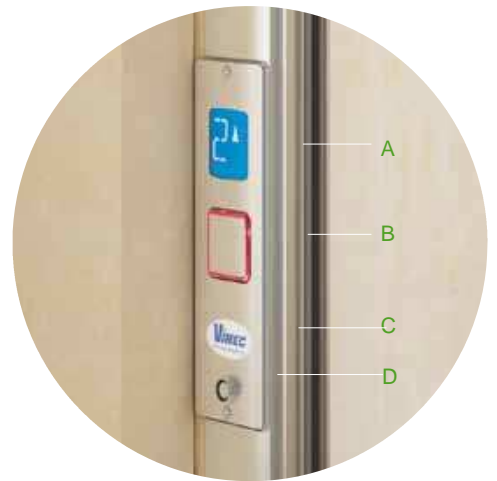
ACCESSORIES

Control panel



On-board control panel
(standard)

- A) LCD Display with travel indicator
- B) Telephone speaker
- C) Dark blue backlit buttons with Braille
- D) I-Button, for electronic access control
- E) Alarm button



Floor control panel
(standard)

- A) LCD display with travel indicator
- B) Call button: green when lift is free, red when busy
- C) Loudspeaker
- D) I-button, for electronic access control

Handrail



Rich Series

Cabin lighting



LED bar
(standard)



Starry sky

VPL500 – Cabin Style Platform Lift

The right choice, the choice of taste

- **The Public Access lift that increases convenience and prestige.**

The VPL500 is intended for everyone who gives priority to their own wellbeing and that of their visitors. Comfortable and safe, it fits into any context, guaranteeing your premises a prestige installation that will increase its value.

- **Convenient, effortless**

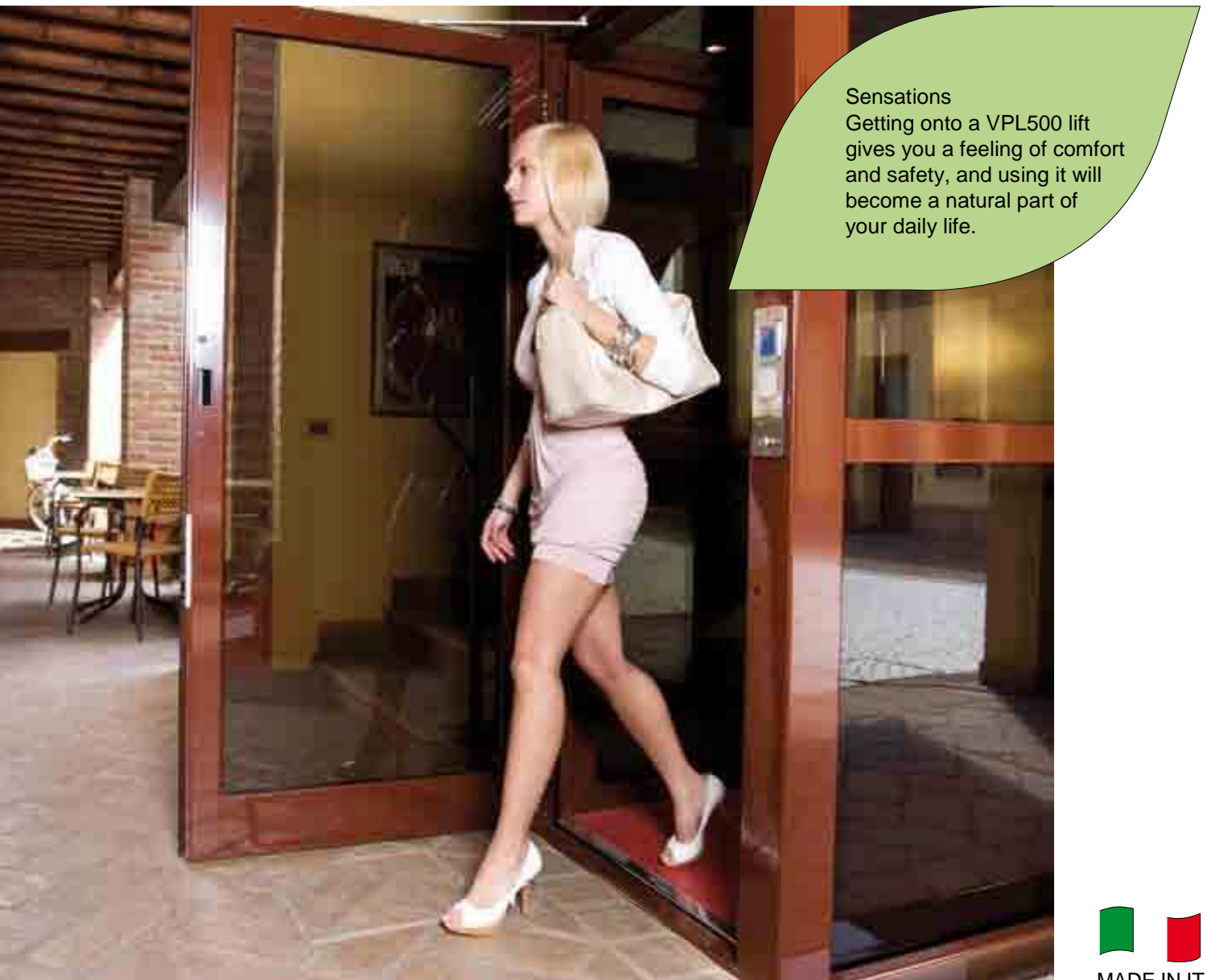
Quiet and discreet, it is absolutely convenient even for transporting the shopping, child buggies, and any other heavy or bulky item from one floor to another within any building. With the VPL500, getting around the premises could not be easier.

- **Customisable**

You and your building deserve a lift which is tailored to suit you not only in its functions but also in its design and personalised finishes; the colours and trims available ensure your VPL500 is just as you want it, the perfect match for its context and your taste.

- **Reliable**

The Premier Platform Lifts technology guarantees you a product at the state of the art from every point of view. The manufacturer's warranty allows you to cut servicing costs and enjoy all the benefits of quality construction.



Sensations

Getting onto a VPL500 lift gives you a feeling of comfort and safety, and using it will become a natural part of your daily life.



MADE IN ITALY



VPL500 with structure

The VPL500 lift has state of the art structures in terms of strength, versatility and design.

These structures can be customised with different types of glass panelling to suit installations of all kinds, with tailor-made versions and installations even in particularly difficult contexts.

A Premier Platform outdoor lift never requires invasive building works: installation is completed quickly and with great care, thanks to our network of skilled installers always up to date with the latest products and techniques.

TECHNICAL DATA

VPL500 by Premier Platform Lifts is an extremely versatile hydraulic lift:

- **Customisable** to the needs of the user and the building.
- Ideal both for **renovation projects** (easy to install in existing shafts) and in **new installations**, since special building works such as an extra room to house machinery, or a pit underneath the lift, are not required.
- The pit required is truly negligible, since a recess just 12 cm deep is all that is needed.
- The lift runs on the standard voltage of 220/240 V and its power consumption is 1.8 kW
- **Compliant with the UNI EN 81/41 standard / Certified to Machinery Directive EC 2006/42**

VPL500

(IN COMPLIANCE WITH THE UNI EN 81/41)

| | |
|--|--|
| Working load | Up to 400 Kg |
| Travel | 9.25 m |
| Speed | 0,15 m/sec |
| Pit | 120 mm for masonry shaft; 140 mm for structure |
| Cabin “enclosed” with walls or infrared barriers | |
| “Simple Touch” calling to floor | |
| Arrival and departure with soft start/stop system | |
| Device for communication with outside of cabin | |
| Automatic safety levelling within | +/- 20 mm |
| Load-bearing roof | |
| Certified safety valve | |
| Electric locks with En 81-2 certification | UNI EN 81-2 |
| Electrical system | |
| Power | 1.8 Kw |
| Mains voltage | 230V-Mono |
| Motor power supply voltage | 230V |
| Auxiliary power supply voltage | 24V |

13 standard configurations of platforms

850x900 950x770 900x850 850x1250 1000x1250 1000x1400

1100x1400 1250x1000 1250x1250 1250x850 1400x1000 1400x1100

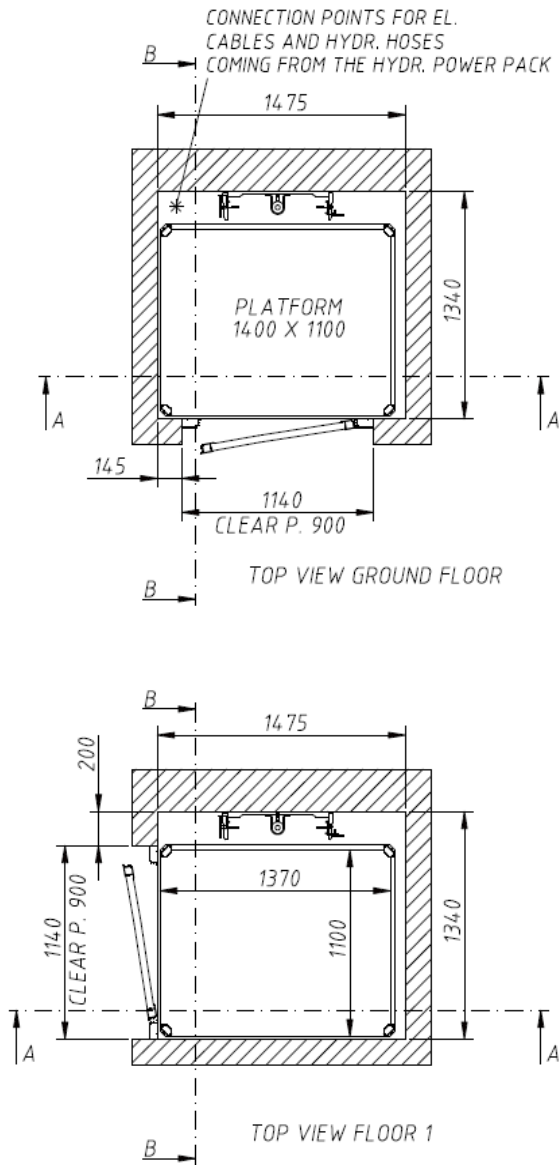
1400x1200

Data are guideline and not binding. Premier Platform Lifts reserves the right to make any changes it considers appropriate.

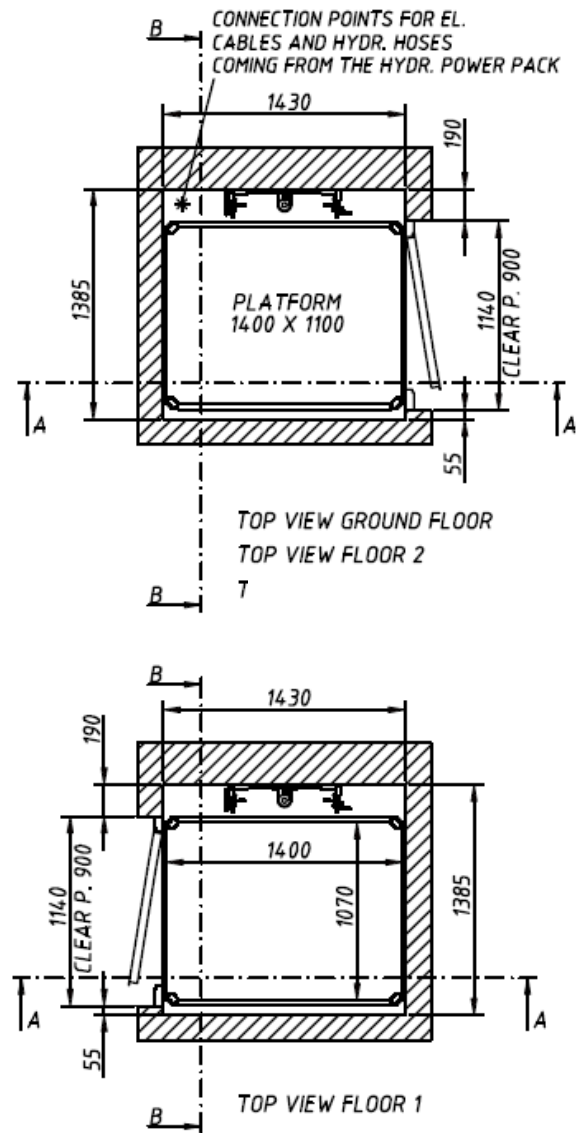
DIMENSIONS AND OVERALL SPACE REQUIREMENTS

MASONRY SHAFT

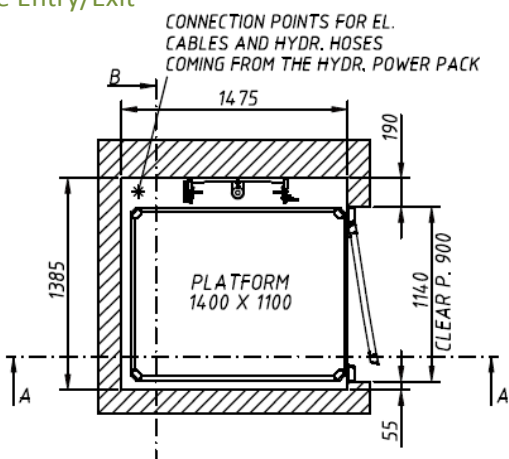
Adjacent Entry/Exit



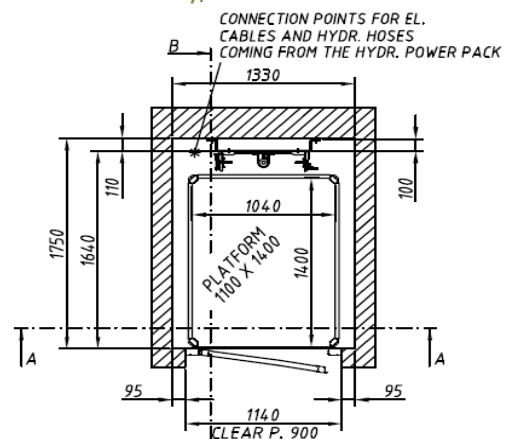
Through Entry/Exit



Single Entry/Exit

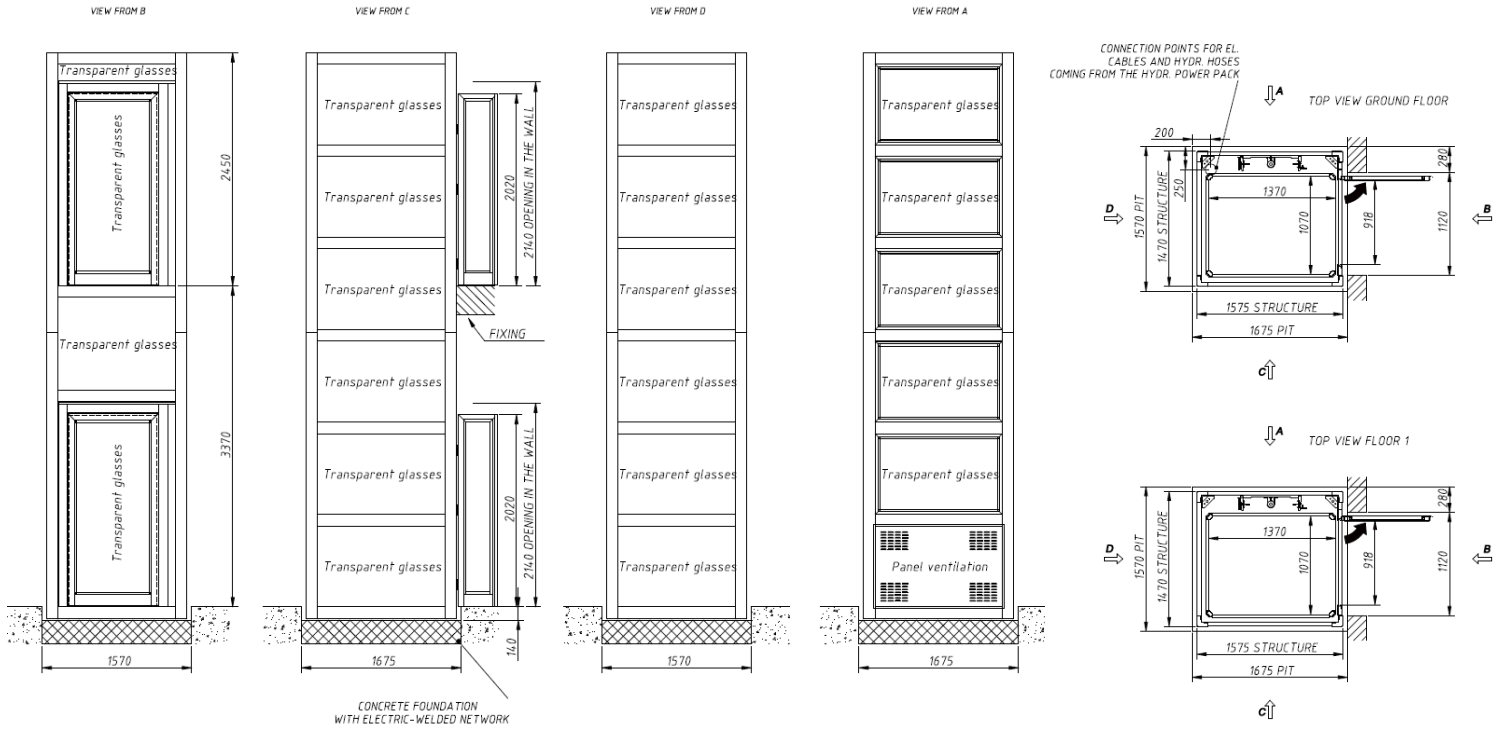


Single 'Ruck sack' Entry/Exit

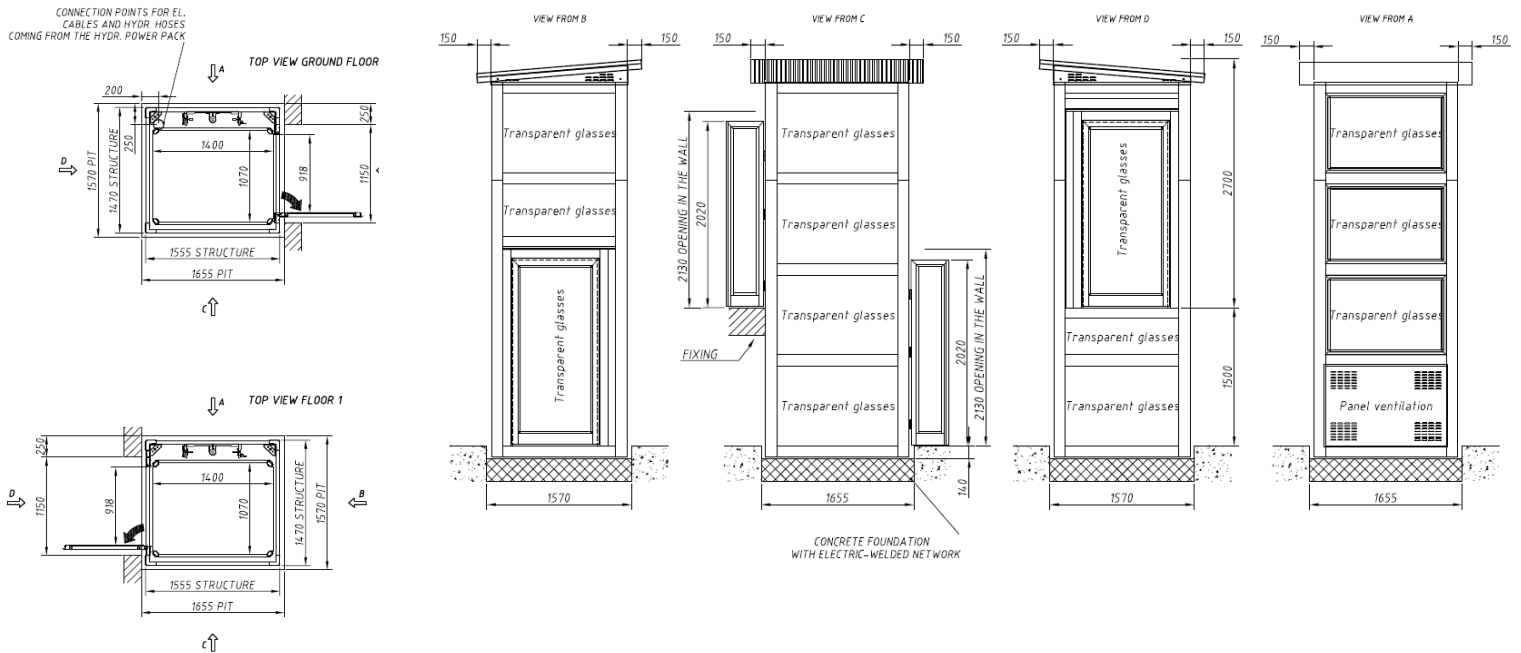


STRUCTURE

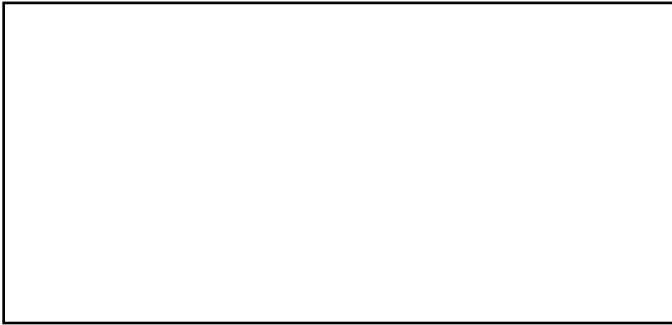
Single Entry/Exit



External - Through Entry/Exit



Data are guideline and not binding. Premier Platform Lifts reserves the right to make any changes it considers appropriate.



Guaranteed product

The VPL500 elevator is guaranteed for 12 months from the date of consignment

PSP: at partners' service

Partner Support Program: a manufacturer exclusive for its partners, aiming to supply each of them, all over the world, with a series of personalised tools for developing their business and offering the end user a better and better service. This programme includes an introduction to the concepts of "accessibility", specific classroom training courses and training in the field for sales staff and engineers, analysis and assistance for the development of the most appropriate market strategies, and backup for the organisation of seminars (e.g. for architects, civil engineering firms, etc.) and for participation at trade fairs. Close co-operation with its partners guarantees Vimec constant improvement of its degree of knowledge of the various markets and thus of their varying needs in terms of accessibility, which translates into the design of suitable products. All oriented towards better management of customer relations, and the achievement of full customer satisfaction.