



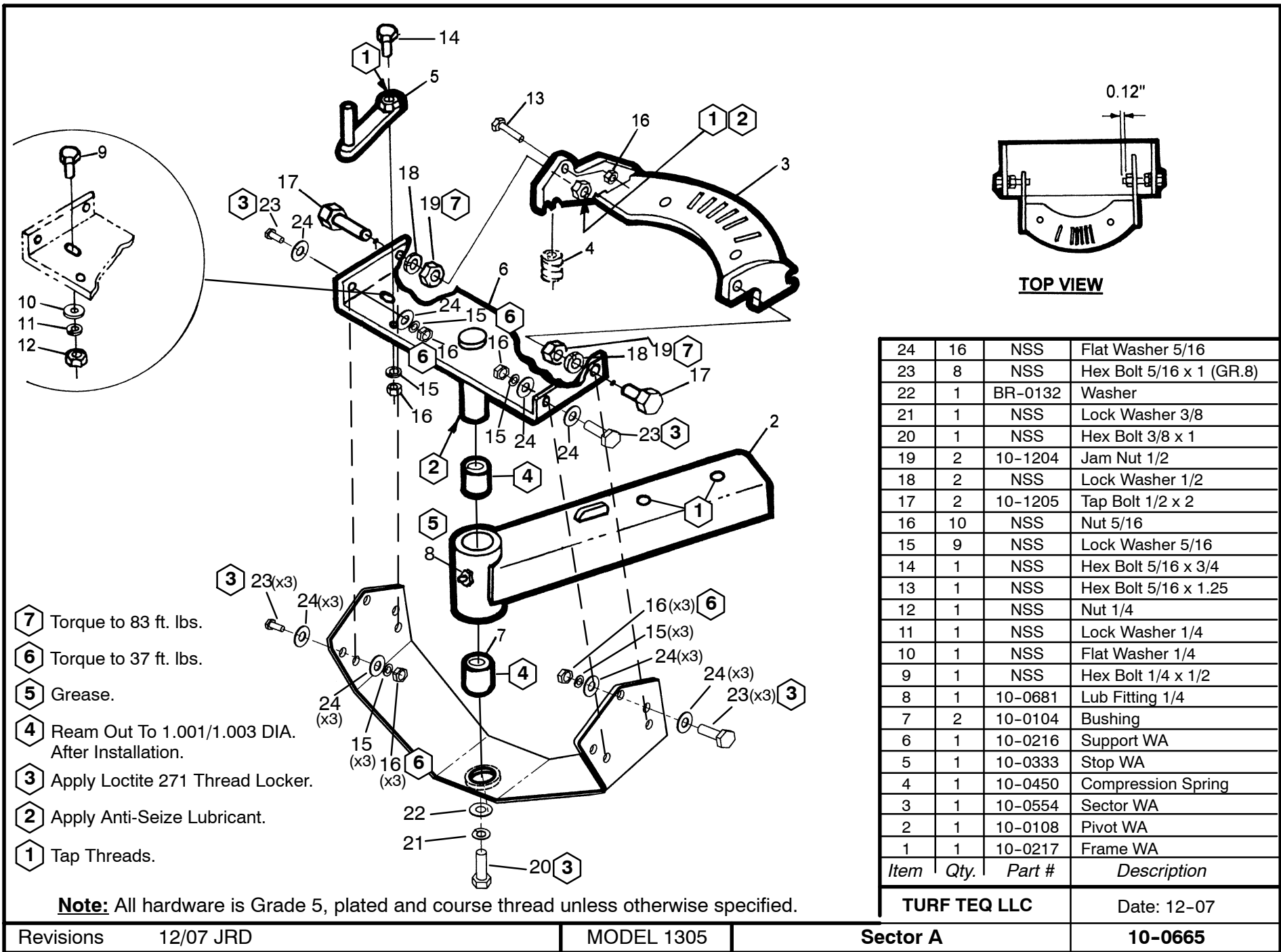
**POWER RAKE  
PARTS CATALOG  
MODEL 1305PR**

**SERIAL NUMBER 00301 AND ABOVE**

**Turf Teq LLC  
PC1305PR-03-1207**

# Contents

<u>Part Number</u>	<u>Description</u>	<u>Page Number</u>
10-0665	Sector A	1
10-0667	Engine A	2
10-0682	Hydro Handle A	3
10-0935	K62 Transmission A	4
10-0939	Tractor Frame/Trans A	5
10-0940	Tractor Controls A	6
1305TR1/10-0942	Tractor with Diff-Loc A	7
10-1098	Main Frame A	8
10-1099	Flotation Wheel A	9
10-1100	Top Drive A	10
10-1101	Rotor Drive A	11
10-1102	Transport Release A	12
10-1103	Dust Shield A	13
K1305PB/10-0934	Park Brake Kit A	14
K1305WL/10-0936	Wheel-Loc Kit A	15
K1305DL/10-0937	Differential-Loc Kit A	16
K1305LK/10-0938	Broom/Edger Lift Kit A	17

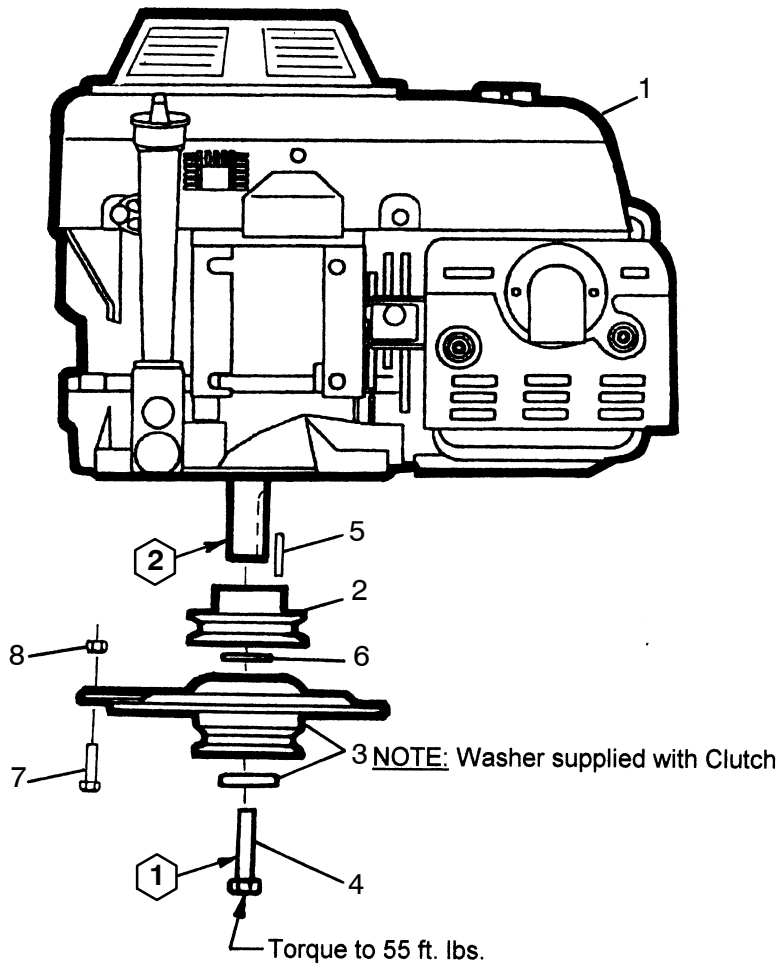


- 7** Torque to 83 ft. lbs.
- 6** Torque to 37 ft. lbs.
- 5** Grease.
- 4** Ream Out To 1.001/1.003 DIA. After Installation.
- 3** Apply Loctite 271 Thread Locker.
- 2** Apply Anti-Seize Lubricant.
- 1** Tap Threads.

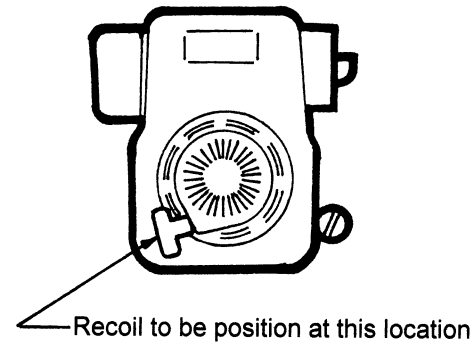
24	16	NSS	Flat Washer 5/16
23	8	NSS	Hex Bolt 5/16 x 1 (GR.8)
22	1	BR-0132	Washer
21	1	NSS	Lock Washer 3/8
20	1	NSS	Hex Bolt 3/8 x 1
19	2	10-1204	Jam Nut 1/2
18	2	NSS	Lock Washer 1/2
17	2	10-1205	Tap Bolt 1/2 x 2
16	10	NSS	Nut 5/16
15	9	NSS	Lock Washer 5/16
14	1	NSS	Hex Bolt 5/16 x 3/4
13	1	NSS	Hex Bolt 5/16 x 1.25
12	1	NSS	Nut 1/4
11	1	NSS	Lock Washer 1/4
10	1	NSS	Flat Washer 1/4
9	1	NSS	Hex Bolt 1/4 x 1/2
8	1	10-0681	Lub Fitting 1/4
7	2	10-0104	Bushing
6	1	10-0216	Support WA
5	1	10-0333	Stop WA
4	1	10-0450	Compression Spring
3	1	10-0554	Sector WA
2	1	10-0108	Pivot WA
1	1	10-0217	Frame WA
<i>Item</i>	<i>Qty.</i>	<i>Part #</i>	<i>Description</i>

**Note:** All hardware is Grade 5, plated and course thread unless otherwise specified.

Revisions	12/07 JRD	MODEL 1305	Sector A	Date: 12-07
				<b>10-0665</b>



### TOP VIEW



2 Apply Anti-Seize Lubricant.

1 Apply Loctite 271 Threadlocker.

**Note:** All hardware is Grade 5, plated and course thread unless otherwise specified.

8	1	NSS	Nut 5/16
7	1	NSS	Hex Bolt 5/16 x 1.0
6	1	10-1110	Washer 1" Machine 1.03 x 1.5 x .07
5	1	10-1121	Keyway 1/4 x .75
4	1	10-1206	Hex Bolt .43 x 2.50 (Gr.8) Fine Thread
3	1	10-0036	Clutch A with Washer
2	1	10-0112	Sheave (3 dia.)
1	1	10-0394	Honda Engine GXV390DA23
<i>Item</i>	<i>Qty.</i>	<i>Part #</i>	<i>Description</i>

**TURF TEQ LLC**

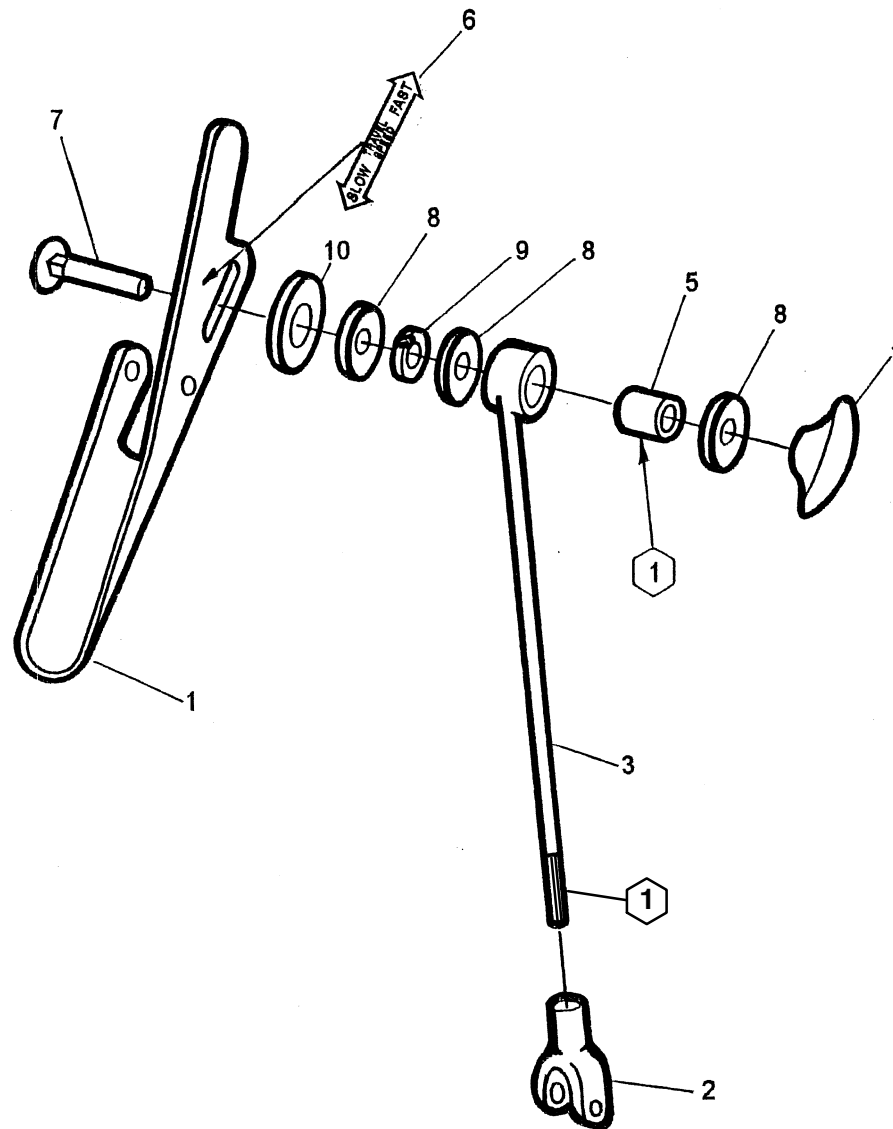
Date: 07-07

Revisions 7/07 JRD

MODEL 1305

**Engine A**

**10-0667**



① Apply Anti-Seize Lubricant.

**Note:** All hardware is Grade 5, plated and course thread unless otherwise specified.

10	1	10-1107	Washer 1/2 USS 9/16 x 1-3/8 x .10
9	1	NSS	Lock Washer 3/8
8	3	10-1105	Washer 5/16 USS 3/8 x 7/8 x .07
7	1	NSS	Carr. Bolt 3/8 x 2
6	1	10-0447	Decal - Travel Speed
5	1	10-0619	Spacer
4	1	10-0664	T-Knob
3	1	10-0881	Rod WA
2	1	10-0449	Yoke End
1	1	10-0254	Handle
<i>Item</i>	<i>Qty.</i>	<i>Part #</i>	<i>Description</i>

**TURF TEQ LLC**

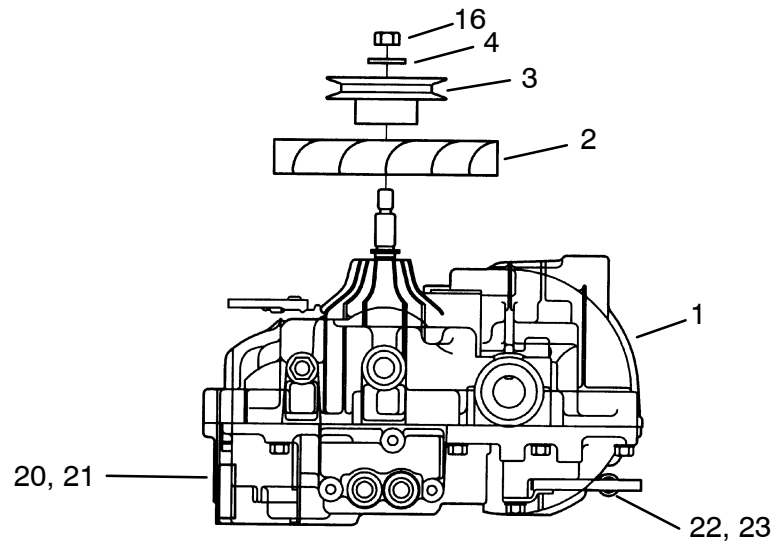
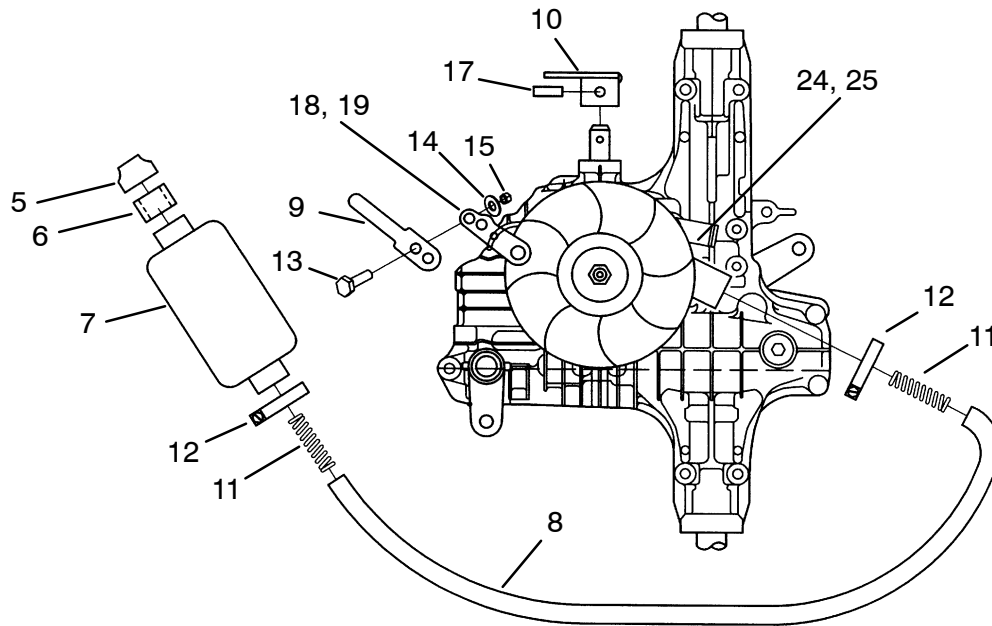
Date: 08-07

Revisions 8/07 JRD

MODEL 1305

Hydro Handle A

**10-0682**



25	1	10-1256	Oil Inlet O-Ring
24	1	10-1255	Oil Inlet
23	2	10-1254	O-Ring
22	1	10-1253	Differential Lock Lever
21	1	10-1252	O-Ring
20	1	10-1251	Drain Plug
19	1	10-1247	Spring Lock Retaining Pin
18	1	10-1245	Hydro Release Lever
17	1	10-1119	Metric Spring Pin 6m x 34m
16	1	10-1216	Lock Nut M10 x 1.50
15	1	NSS	Nut 1/4
14	1	NSS	Lock Washer 1/4
13	1	NSS	Hex Bolt 1/4 x 3/4
12	2	10-0859	3/4 Worm Gear Clamp
11	2	10-1037	Spring 3/4 dia. x 5.62
10	1	10-0755	Arm WA
9	1	10-0824	Arm WA
8	1	10-1038	Rubber Hose 1.06 x 19
7	1	10-0838	400 CC Reservoir
6	1	10-0842	Reservoir Filter
5	1	10-0841	Reservoir Cap
4	1	BR-0132	Washer .4 x 1.5 x .40
3	1	10-0840	Pully (3.12 dia.)
2	1	10-0839	Fan (7" dia.)
1	1	10-0899	K62 Transmission
<i>Item</i>	<i>Qty.</i>	<i>Part #</i>	<i>Description</i>

**Note:** All hardware is Grade 5, plated and course thread unless otherwise specified.

**TURF TEQ LLC**

Date: 08-07

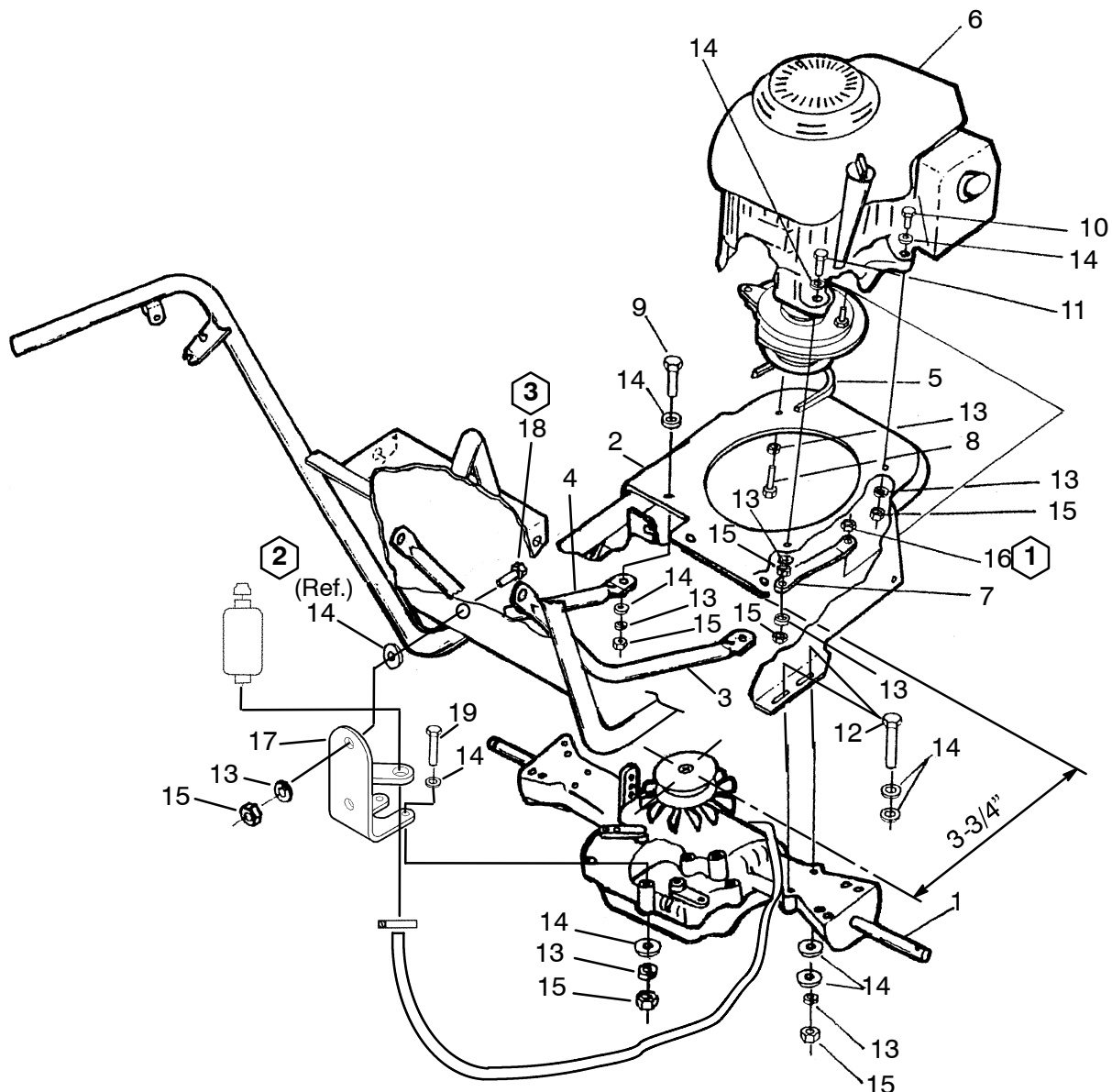
Revisions

8/07 JRD

MODEL 1305

**K62 Transmission A**

**10-0935**

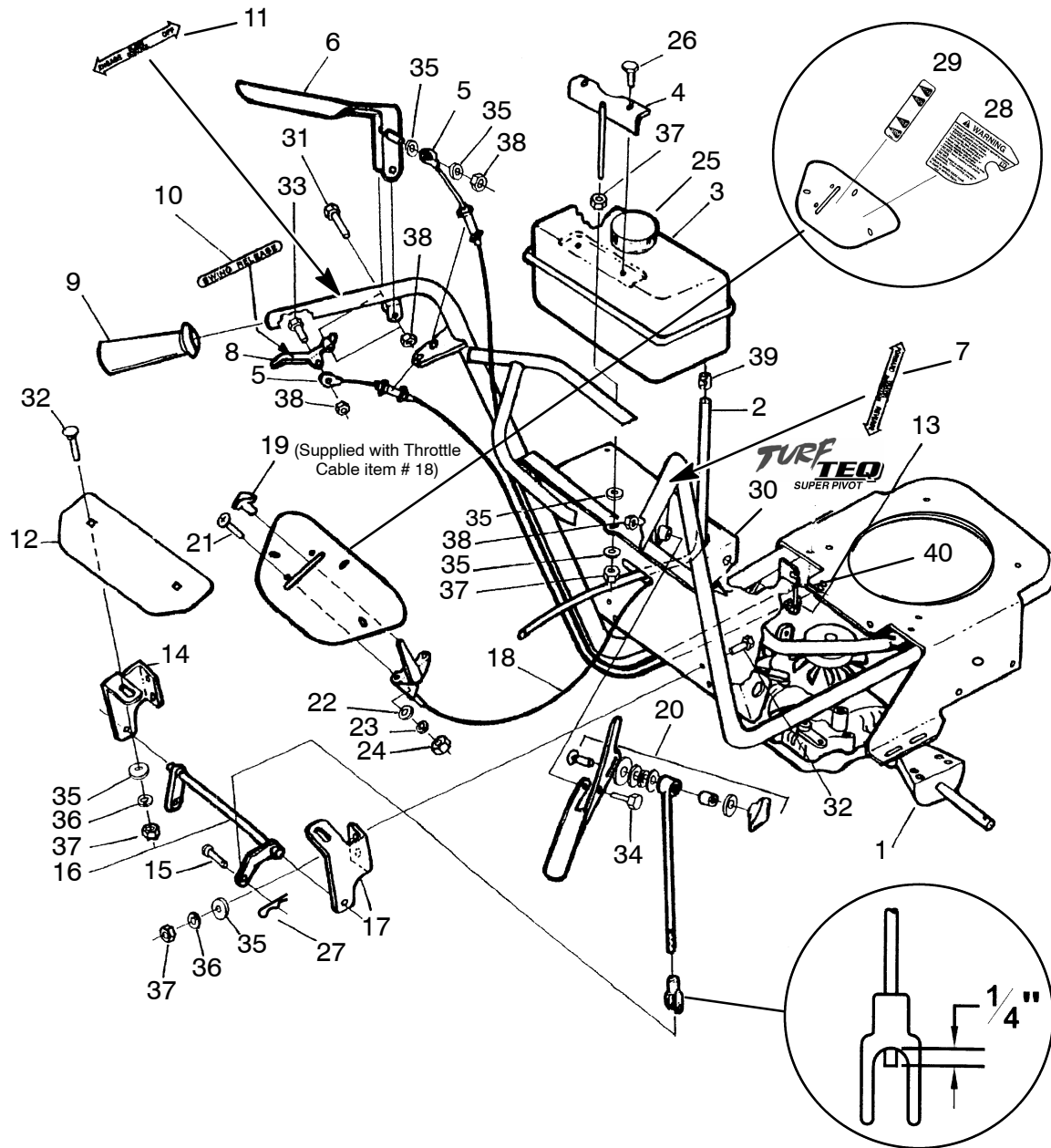


- 1 Apply Loctite 271 Thread Locker
- 2 "If needed" install #14 washer (as many as required after #5 v-belt has been installed and tightened.)
- 3 Tighten #18 carr. bolt after #5 v-belt has been installed and tightened.

19	2	NSS	Hex Bolt 5/16 x 2-1/4
18	1	NSS	Carr. Bolt 5/6 x 1
17	1	10-0818	Mount
16	1	10-1225	Lock Nut 5/16
15	12	NSS	Nut 5/16
14	26	10-1214	Washer 5/16 SAE
13	13	NSS	Lock Washer 5/16
12	4	NSS	Hex Bolt 5/16 x 3
11	1	NSS	Hex Bolt 5/16 x 2
10	1	NSS	Hex Bolt 5/16 x 1-1/2
9	2	NSS	Hex Bolt 5/16 x 1
8	2	10-1226	Hex Bolt 5/16 x 3/4 Fine Thread
7	1	10-0247	Link
6	1	10-0667	Engine A
5	1	10-0902	V-Belt (A-28)
4	1	10-0616	Stiffener LH
3	1	10-0352	Stiffener RH
2	1	10-0191	Handlebar WA
1	1	10-0935	K62 Transmission A
<i>Item</i>	<i>Qty.</i>	<i>Part #</i>	<i>Description</i>

**Note:** All hardware is Grade 5, plated and course thread unless otherwise specified.

Revisions	11/07 JRD	MODEL 1305	Tractor Frame/Trans A	Date: 11-07
				<b>10-0939</b>

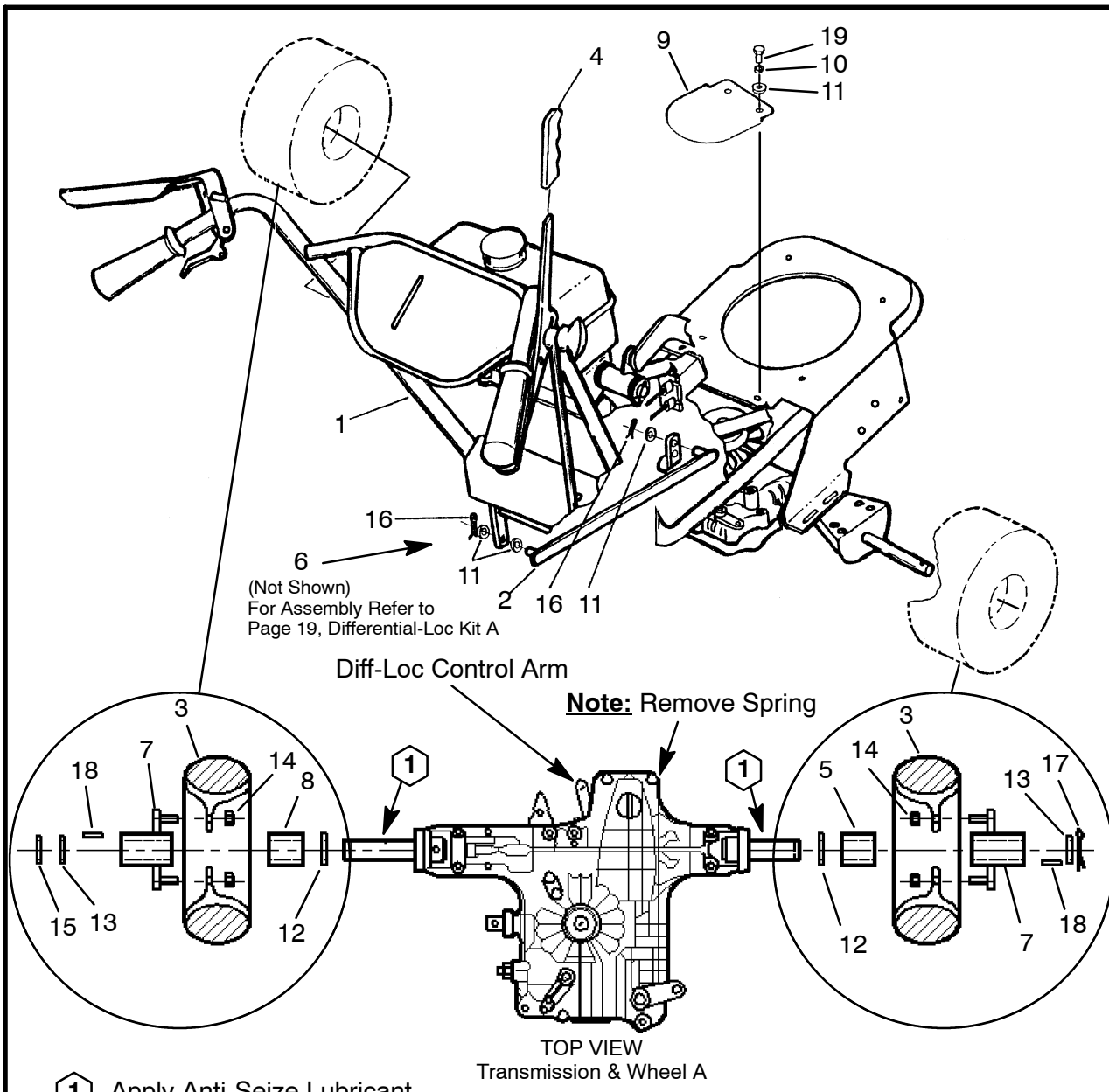


40	1	10-1271	Clutch Cable Spring
39	1	10-1230	Hose Clamp - Screw
38	4	10-1225	Lock Nut 5/16
37	8	NSS	Nut 5/16
36	6	NSS	Lock Washer 5/16
35	10	10-1214	Washer 5/16 SAE .34 x .68 x .06
34	1	NSS	Hex Bolt 5/16 x 1-3/4
33	1	NSS	Hex Bolt 5/16 x 1-1/4
32	6	NSS	Carr. Bolt 5/16 x 3/4
31	1	NSS	Hex Bolt 5/16 x 2
30	1	10-1185	Turf Teq Super Pivot Decal
29	1	10-0441	Decal - Throttle
28	1	10-0439	Decal - Warning
27	1	10-1122	Hairpin .06 x 1.31
26	2	10-1229	Self Tapping Hex Screw 3/16 x 3/4
25	1	10-0729	Gas Cap
24	2	NSS	Nut #10
23	2	NSS	Lock Washer #10
22	2	NSS	Washer #10 SAE .21 x .5 x .04
21	2	NSS	Pan Head Machine Screw #10 x 3/4
20	1	10-0682	Hydro Handle A
19	1	10-1227	Throttle Control Handle
18	1	10-0135	Throttle Control Lever A
17	1	10-0340	Bracket RH
16	1	10-0855	Link WA
15	1	10-0615	Clevis Pin 5/16 x 1
14	1	10-0339	Bracket LH
13	2	10-1111	E-clip (1/4 shaft)
12	1	10-0900	Plate
11	1	10-0446	Decal - Blade Control
10	1	10-0444	Decal - Swing Release
9	2	10-0190	Handle Grip
8	1	10-0253	Trigger WA
7	1	10-0448	Decal - Forward / Reverse
6	1	10-0257	Clutch Handle WA
5	2	10-0434	Control Cable A
4	1	10-0395	Hold Down WA
3	1	10-0264	Fuel Tank A
2	1	10-0452	Fuel Hose
1	1	10-0939	Tractor Frame/Trans. A
Item	Qty.	Part #	Description

**Note:** All hardware is Grade 5, plated and course thread unless otherwise specified.

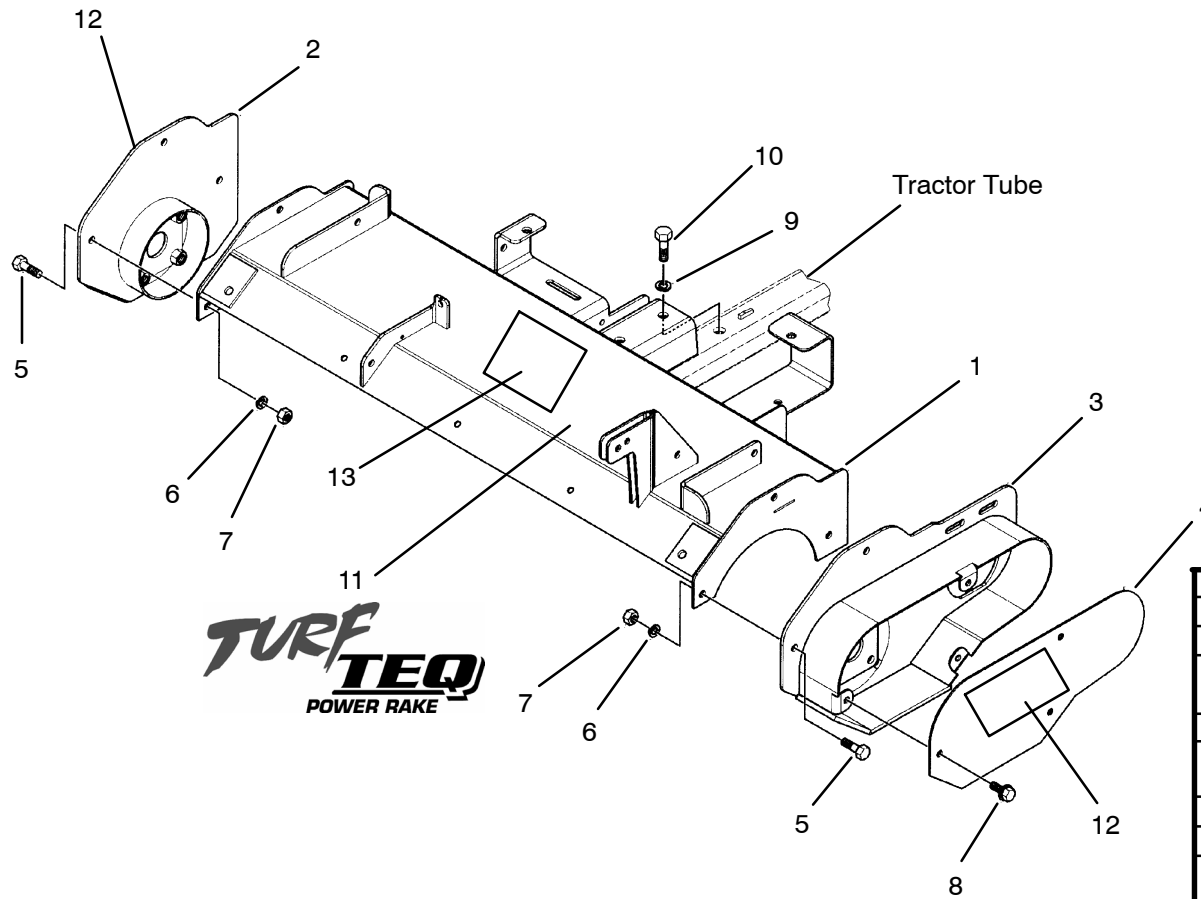
TURF TEQ LLC			Date:11-07
Revisions	11/07 JRD	MODEL 1305	Tractor Controls A
			10-0940





19	2	NSS	Hex Bolt 5/16 x 3/4
18	2	10-1116	Key 1/4 x 1.25
17	1	10-1222	Cotter Pin 1/8 x 1-3/4
16	2	10-1210	Cotter Pin 3/32 x 3/4
15	1	10-1113	E-Clip 1
14	8	10-1219	Lug Nut 1/2 Fine Thread
13	2	10-1110	Washer 1 Machine
12	2	10-1217	Washer 1 SAE
11	5	10-1214	Washer 5/16 SAE
10	2	NSS	Lock Washer 5/16
9	1	10-0848	Shield
8	1	10-0892	Spacer
7	2	10-0847	Wheel Hub
6	1	10-0937	K1305DL Diff-Loc Kit
5	1	10-0875	Spacer
4	1	10-0474	Handle
3	2	10-0846	Tire & Rim A
2	1	10-0764	Link WA
1	1	10-0940	Tractor Controls A
Item	Qty.	Part #	Description

<b>TURF TEQ LLC</b>			Date: 07-07
<b>Revisions</b>			<b>MODEL 1305</b>
<b>7/07 JRD</b>			<b>Tractor with Diff-Loc A</b>
			<b>1305TR1/10-0942</b>



13	1	10-1174	Warning Decal - Moving Parts
12	2	10-1173	Warning Decal - Rotating Teeth
11	1	10-1182	Turf Teq Power Rake Decal
10	2	NSS	Hex Head Capscrew 1/2-13UNC x 1-1/4 Long
9	2	NSS	Lock Washer 1/2
8	3	NSS	Hex Head Capscrew Serrated Flange 5/16-18UNC x 3/4 Long
7	AR	NSS	Hex Nut 3/8-16UNC
6	AR	NSS	Lock Washer 3/8
5	AR	NSS	Hex Head Capscrew 3/8-16UNC x 3/4 Long
4	1	10-1046	Drive Enclosure Access Cover
3	1	10-1045	Drive Enclosure End Plate LH
2	1	10-1044	End Plate RH
1	1	10-1043	Main Frame
Item	Qty.	Part #	Description

**Note:** All hardware is Grade 5, plated and course thread unless otherwise specified.

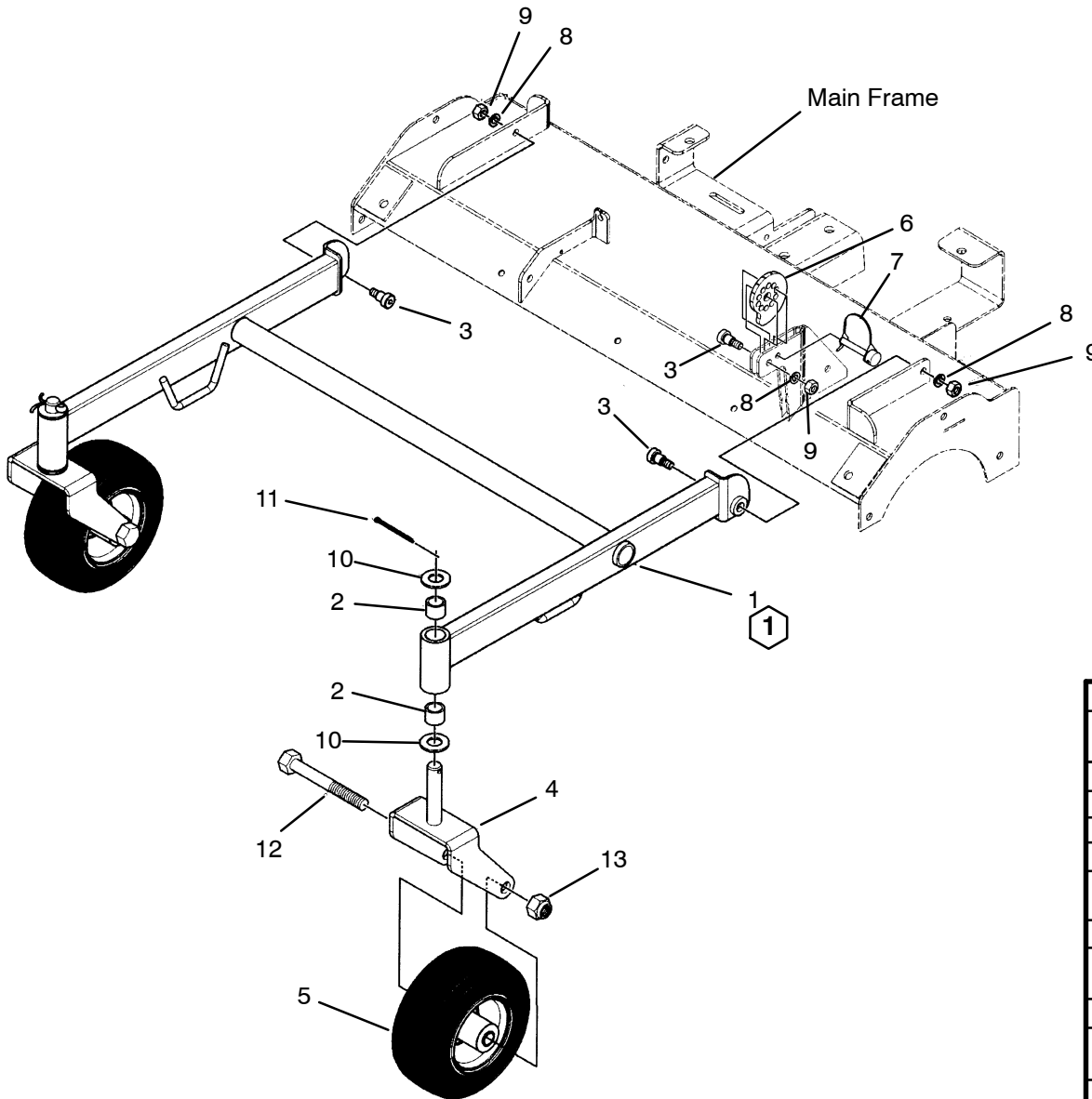
Revisions 7/07 JRD

MODEL 1305PR

Main Frame A

Date: 07-07

10-1098



1 Includes Item #2.

**Note:** All hardware is Grade 5, plated and course thread unless otherwise specified.

13	2	10-1213	Nylon Lock Hex Nut 5/8-11UNC
12	2	NSS	Hex Head Capscrew 5/8-11UNC x 5-1/2 Long
11	2	10-1234	Cotter Pin 3/16 Dia. x 1-1/2 Long
10	4	NSS	Flat Washer 3/4 SAE
9	3	NSS	Hex Nut 3/8-16UNC
8	3	NSS	Lock Washer 3/8
7	1	10-1091	Round Lock Pin w/Tab 5/16 Dia. x 2-5/8 Long
6	1	10-1089	Depth Cam
5	2	10-1051	Wheel/Tire - Black Smooth Tire 8/3.00-4
4	2	10-1050	Caster Fork
3	3	10-1049	Shoulder Bolt 1/2 Dia. x 1/2 Long Shoulder 3/8-16UNC
2	4	10-1048	Bushing 1 OD x 3/4 ID x 3/4 Long
1	1	10-1047	Wheel Frame WA
Item	Qty.	Part #	Description

TURF TEQ LLC

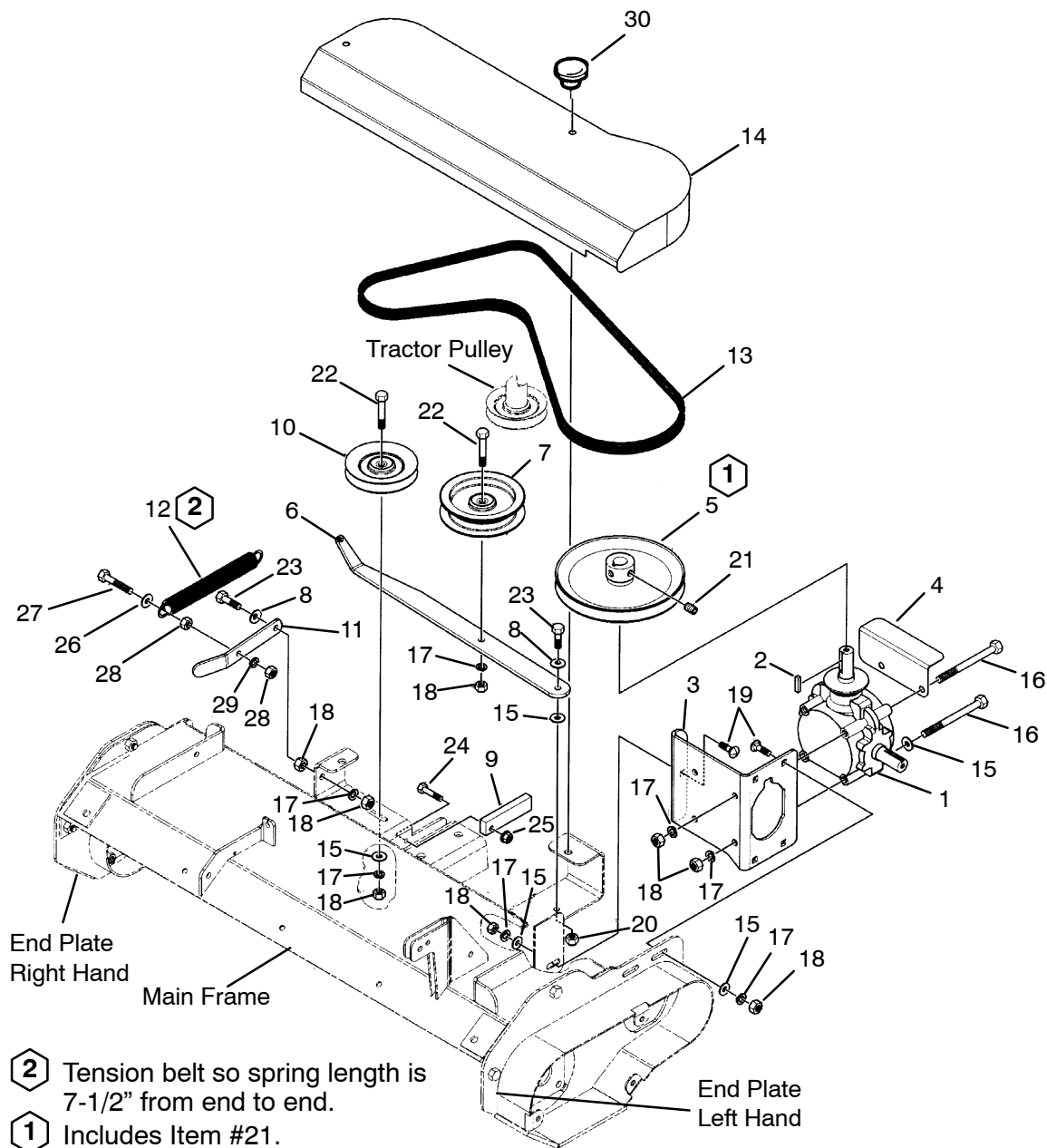
Date: 07-07

Revisions 7/07 JRD

MODEL 1305PR

Flotation Wheel A

10-1099



30	2	10-0618	Shield Knob
29	1	NSS	Lock Washer 5/16
28	2	NSS	Hex Nut 5/16-18UNC
27	1	NSS	Hex Head Capscrew 5/16-18UNC x 1-1/4 Long
26	2	NSS	Flat Washer 5/16
25	1	NSS	Serrated Flange Nut 1/4-20UNC
24	1	NSS	Hex Head Capscrew 1/4-20UNC x 1 Long
23	2	NSS	Hex Head Capscrew 3/8-16UNC x 1-1/4 Long
22	1	NSS	Hex Head Capscrew 3/8-16UNC x 1-3/4 Long
21	2	10-1235	Set Screw 1/4-20UNC x 3/8 Long
20	AR	10-1215	Nylon Lock Hex Nut 3/8-16UNC
19	5	NSS	Carriage Capscrew 3/8-16UNC x 1 Long
18	AR	NSS	Hex Nut 3/8-16UNC
17	AR	NSS	Lock Washer 3/8
16	4	NSS	Hex Head Capscrew 3/8-16UNC x 4-1/2 Long
15	AR	NSS	Flat Washer 3/8
14	1	10-1064	Drive Belt Shield
13	1	10-1041	V Belt, B76
12	1	10-1063	Idler Arm Spring
11	1	10-1062	Spring Tension Lever
10	1	10-1061	Idler Pulley AB Combo 3/8 Bore x 5 OD
9	1	10-1060	Idler Arm Slide
8	2	10-1059	Belleville Disc Spring 3/4 OD x .380 ID
7	1	10-1058	Idler Pulley, Flat 3/8 Bore x 5-1/4 OD
6	1	10-1057	Spring Idler Arm
5	1	10-1056	Drive Pulley V-Belt
4	1	10-1055	Shield, Belt Underside
3	1	10-1054	Gearbox Mounting Plate
2	1	10-1053	Key 6mm Sq. x 20mm Long
1	1	10-1052	Gearbox A, 1018, Ratio 2.78-1
Item	Qty.	Part #	Description

2 Tension belt so spring length is 7-1/2" from end to end.

1 Includes Item #21.

**Note:** All hardware is Grade 5, plated and course thread unless otherwise specified.

TURF TEQ LLC

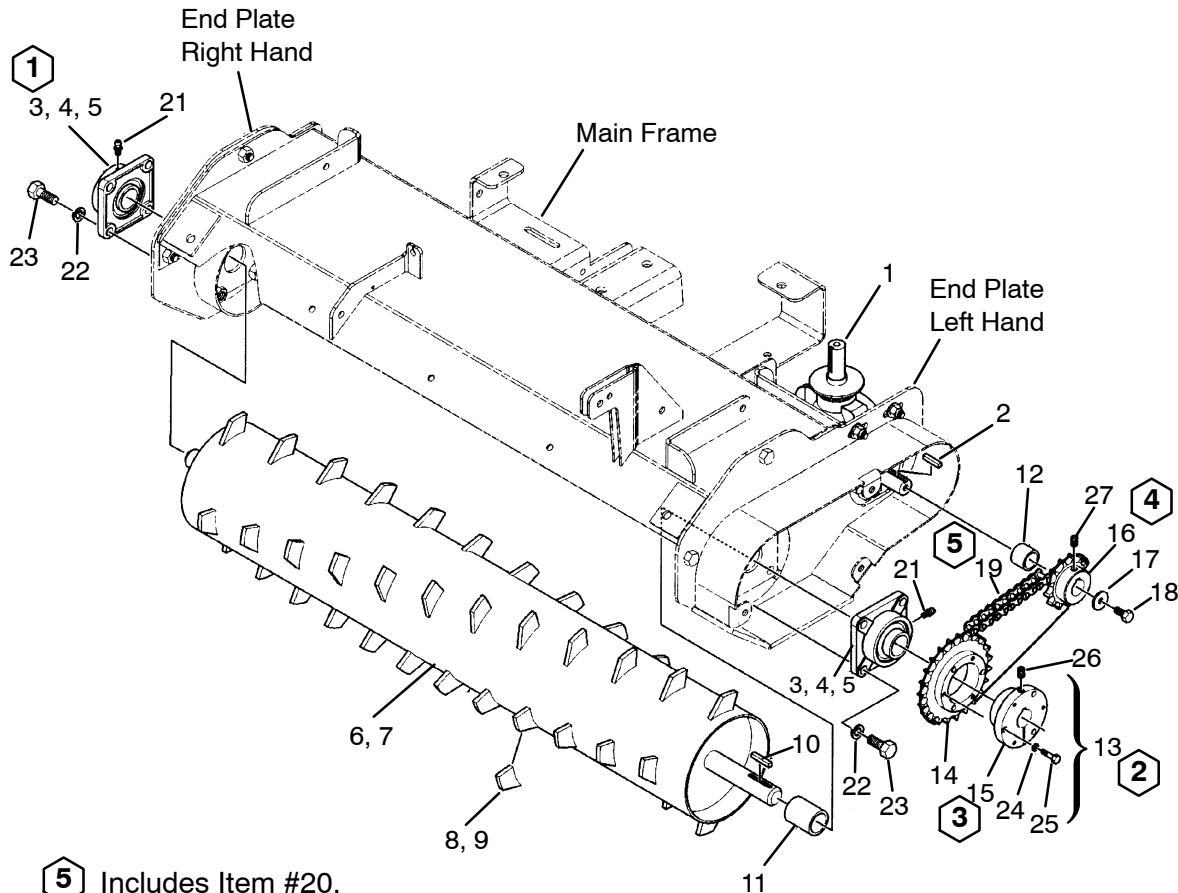
Date: 12-07

Revisions 12/07 JRD

MODEL 1305PR

Top Drive A

10-1100



- ⑤ Includes Item #20.
- ④ Includes Item #27.
- ③ Includes Items #24, #25, #26.
- ② Includes Items #14, #15, #24, #25, and #26.
- ① Includes Items #4 and #21.

**Note:** All hardware is Grade 5, plated and course thread unless otherwise specified.

27	2	10-1236	Set Screw 5/16-18UNC x 3/8 Long
26	1	10-1235	Set Screw 1/4-20UNC x 3/8 Long
25	3	NSS	Hex Head Capscrew 1/4-20UNC x 1-1/4 Long
24	3	NSS	Lock washer 1/4
23	AR	NSS	Hex Head Capscrew 7/16-14UNC x 1-1/4 Long
22	8	NSS	Lock Washer 7/16
21	1	10-1120	Lube Fitting
20	1	10-1083	Master Link Chain #50
19	1	10-1042	Drive Chain #50
18	1	10-1082	Hex Head Capscrew M8-1.25 x 20mm Long
17	1	10-1081	Flat Washer, Sprocket Keeper
16	1	10-1080	Drive Sprocket #50 13 Tooth 22mm Bore
15	1	10-1079	Bushing QD
14	1	10-1078	Driven Sprocket #50 23 Tooth
13	1	10-1077	Sprocket A
12	1	10-1076	Spacer Bushing 1-1/8 OD x 1/8 Wall x 3/4 Wide
11	1	10-1075	Spacer Bushing 1-3/8 OD x 5/32 Wall x 3/4 Wide
10	1	10-1074	Key 1/4 Sq. x 1 Long
9	AR	10-1073	Rotor Tooth AR400 Steel
8	AR	10-1072	Carbide Tooth
7	1	10-1071	Rotor With AR400 Steel Replaceable Teeth
6	1	10-1070	Rotor With Carbide Teeth
5	1	10-1069	Bearing Insert Only
4	1	10-1068	Flange Only
3	2	10-1067	Rotor Bearing A
2	1	10-1053	Key 6mm Sq. x 20mm Long
1	1	10-1052	Gearbox A, 1018, Ratio 2.78-1
Item	Qty.	Part #	Description

TURF TEQ LLC

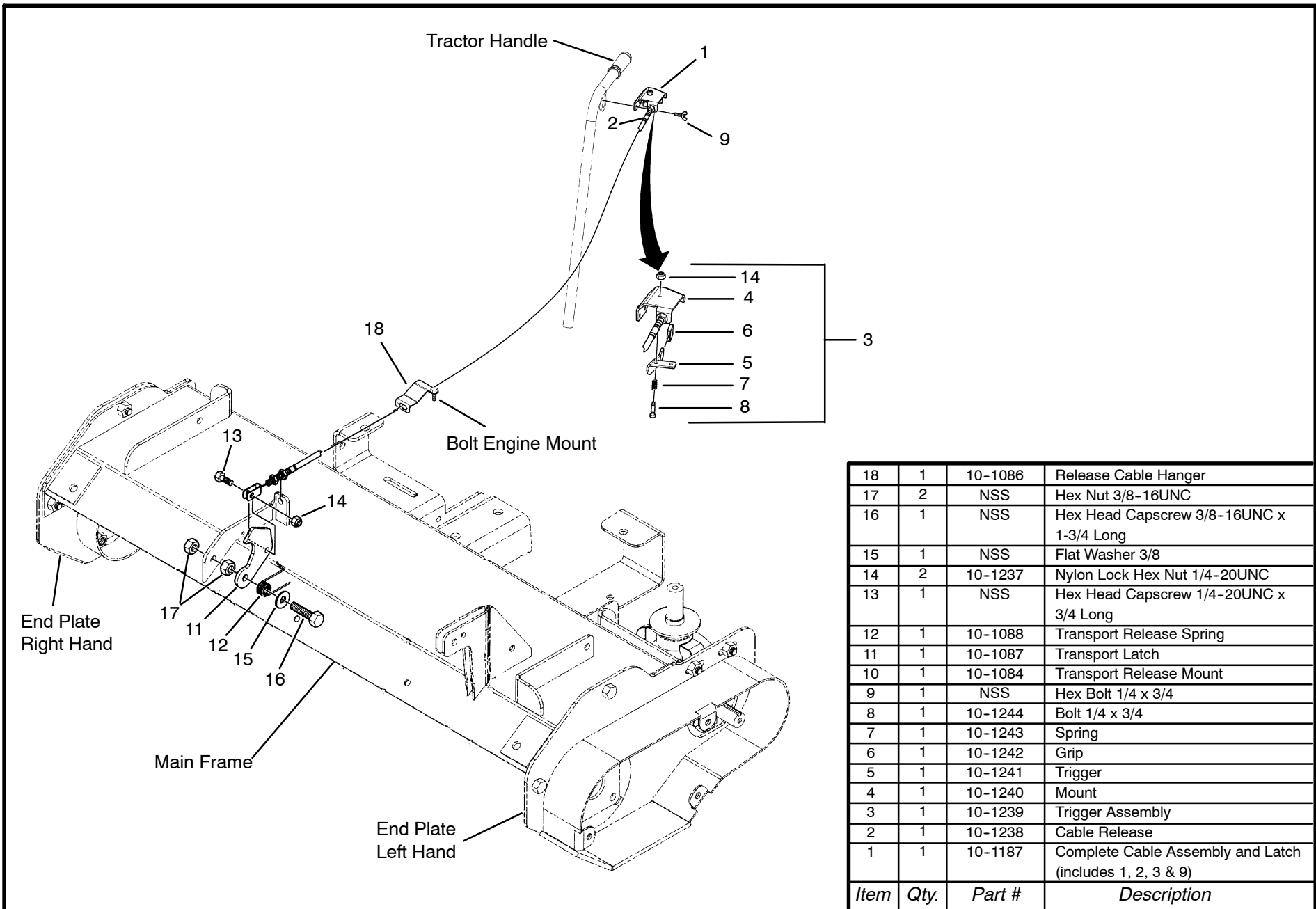
Date: 11-07

Revisions 11/07 JRD

MODEL 1305PR

Rotor Drive A

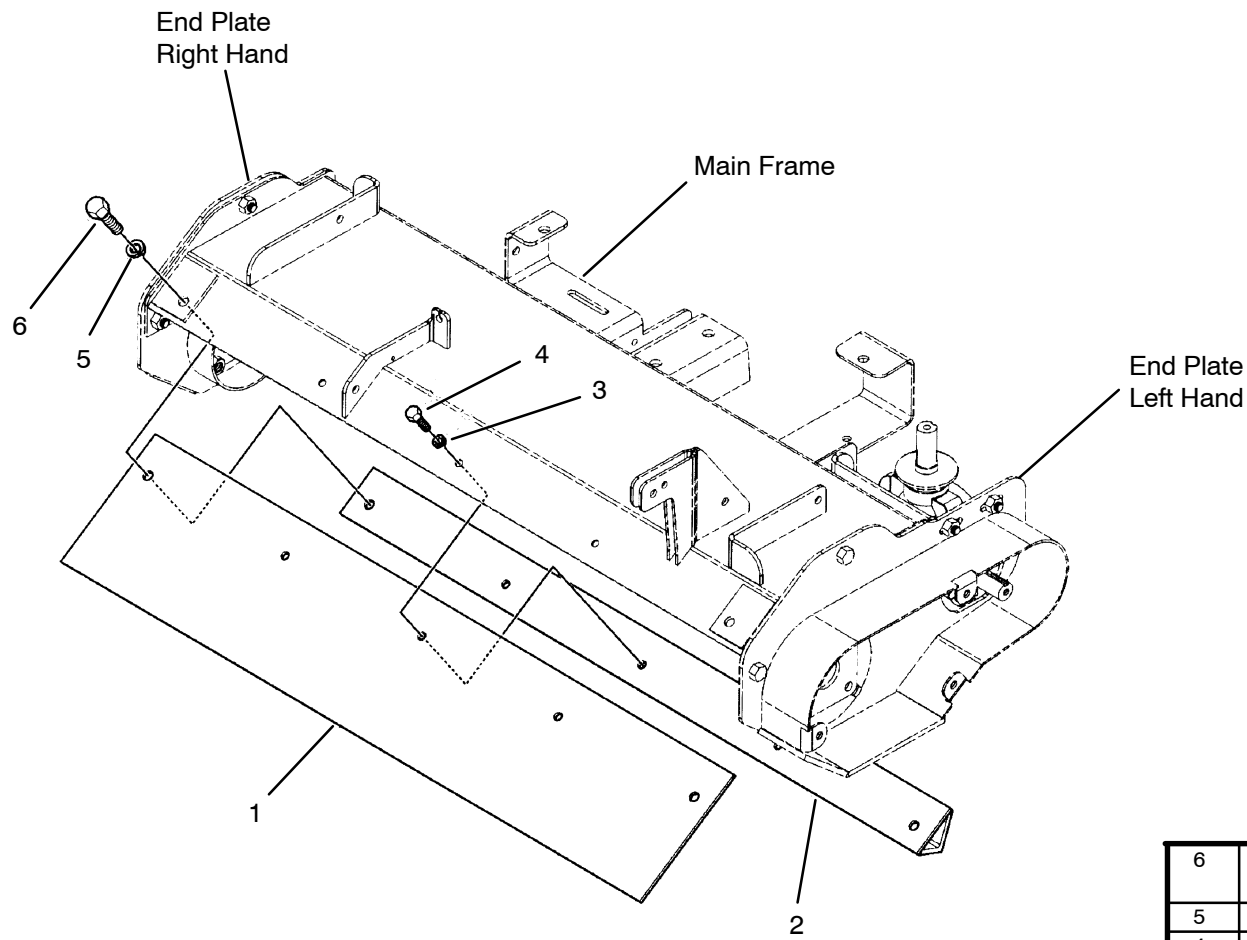
10-1101



18	1	10-1086	Release Cable Hanger
17	2	NSS	Hex Nut 3/8-16UNC
16	1	NSS	Hex Head Capscrew 3/8-16UNC x 1-3/4 Long
15	1	NSS	Flat Washer 3/8
14	2	10-1237	Nylon Lock Hex Nut 1/4-20UNC
13	1	NSS	Hex Head Capscrew 1/4-20UNC x 3/4 Long
12	1	10-1088	Transport Release Spring
11	1	10-1087	Transport Latch
10	1	10-1084	Transport Release Mount
9	1	NSS	Hex Bolt 1/4 x 3/4
8	1	10-1244	Bolt 1/4 x 3/4
7	1	10-1243	Spring
6	1	10-1242	Grip
5	1	10-1241	Trigger
4	1	10-1240	Mount
3	1	10-1239	Trigger Assembly
2	1	10-1238	Cable Release
1	1	10-1187	Complete Cable Assembly and Latch (includes 1, 2, 3 & 9)
Item	Qty.	Part #	Description

**Note:** All hardware is Grade 5, plated and course thread unless otherwise specified.

TURF TEQ LLC		Date: 11-07
Revisions	11/07 JRD	MODEL 1305PR
Transport Release A		10-1102

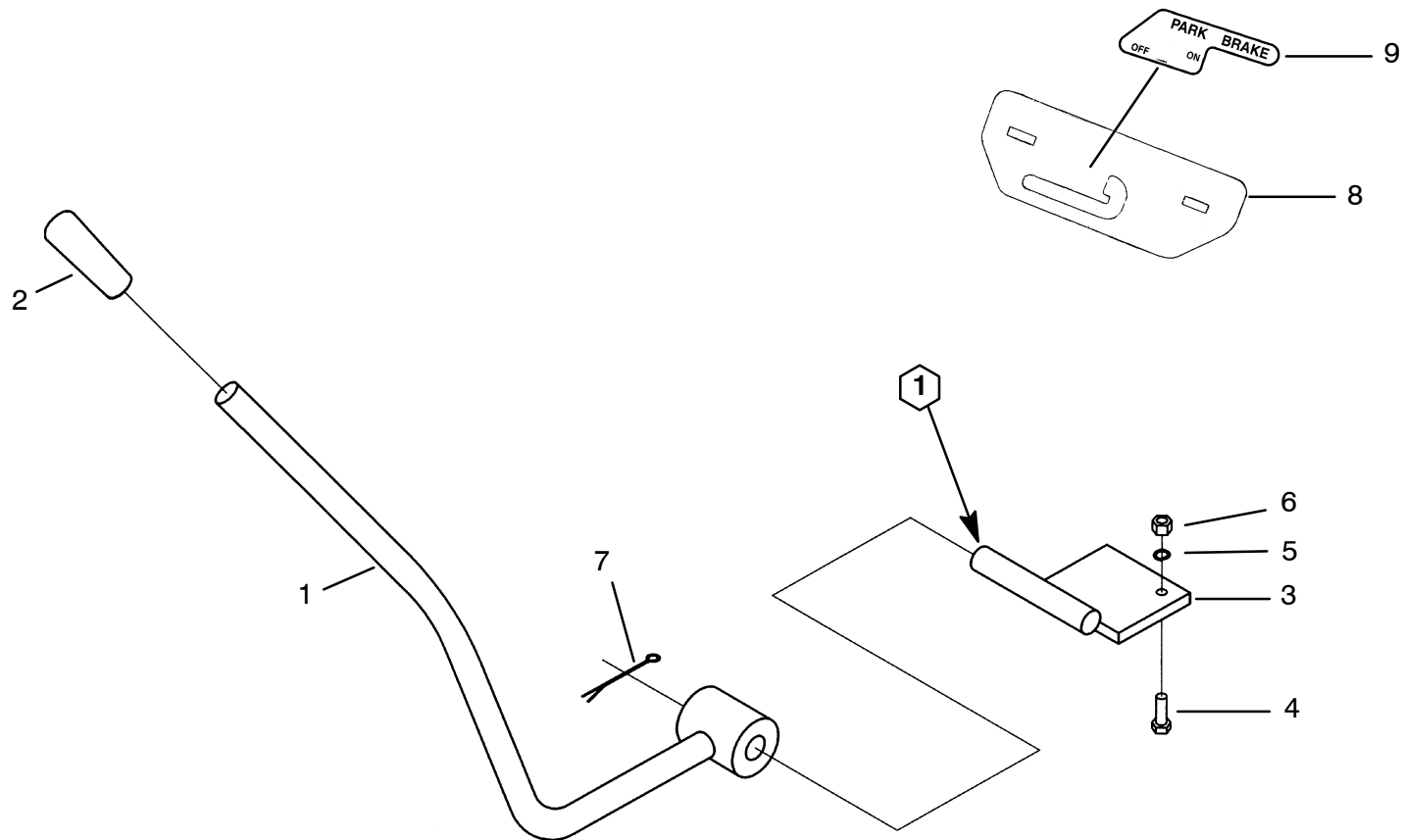


6	2	NSS	Hex Head Capscrew 7/16-14UNC x 1 Long
5	2	NSS	Lock Washer 7/16
4	3	NSS	Hex Head Capscrew 1/4-20UNC x 1 long
3	3	NSS	Lock Washer 1/4
2	1	10-1093	Dust Shield Strike Bar Weldment
1	1	10-1092	Dust Shield
<i>Item</i>	<i>Qty.</i>	<i>Part #</i>	<i>Description</i>

**Note:** All hardware is Grade 5, plated and course thread unless otherwise specified.

**TURF TEQ LLC** Date: 11-07

Revisions	11/07 JRD	MODEL 1305PR	Dust Shield A	<b>10-1103</b>
-----------	-----------	--------------	---------------	----------------



**Optional Equipment**

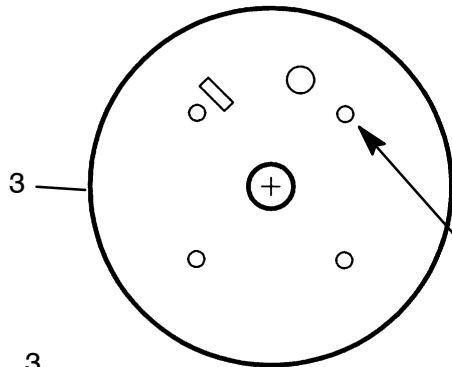
① Apply Anti-Seize Lubricant.

**Note:** All hardware is Grade 5, plated and course thread unless otherwise specified.

9	1	10-0888	Decal
8	1	10-0803	Plate
7	1	10-1210	Cotter Pin 3/32 x 3/4
6	1	NSS	Nut 3/8
5	1	NSS	Lock Washer 3/8
4	1	NSS	Hex Bolt 3/8 x 1
3	1	10-0760	Base WA
2	1	10-0332	Handle Grip
1	1	10-0758	Lever WA
<i>Item</i>	<i>Qty.</i>	<i>Part #</i>	<i>Description</i>

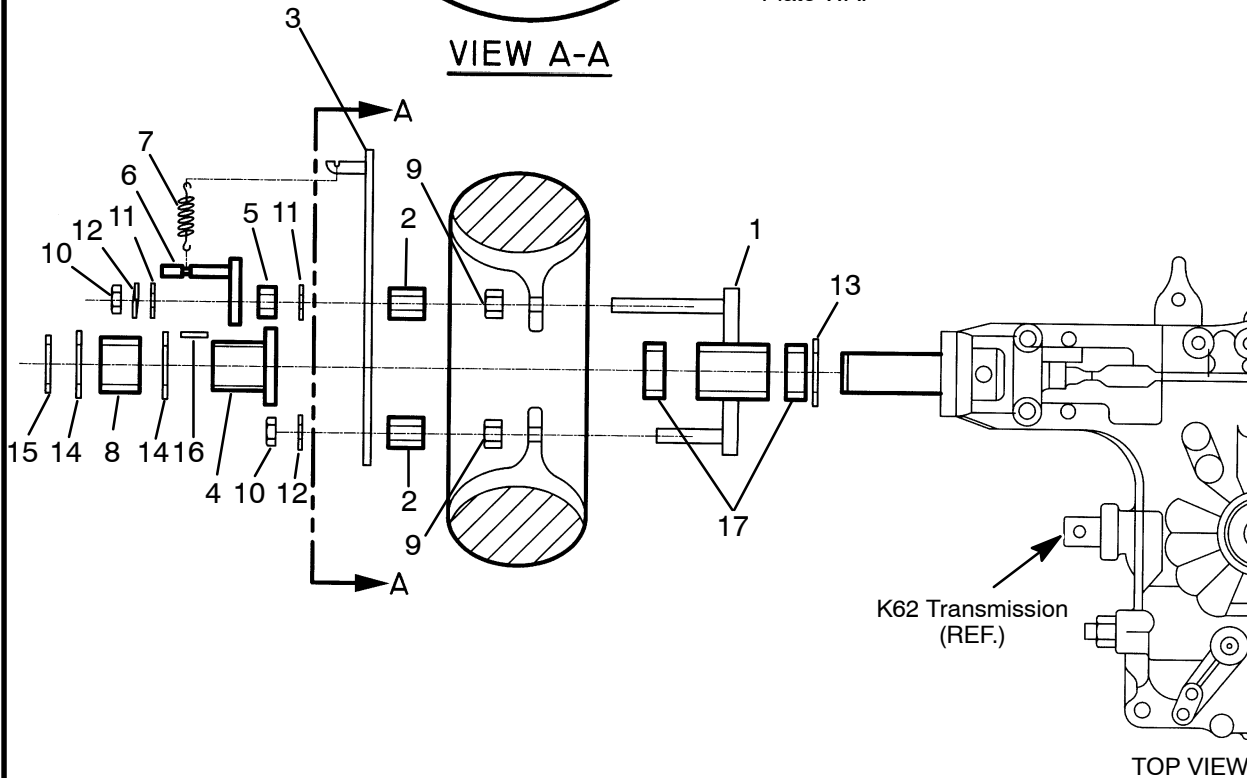
<b>TURF TEQ LLC</b>		Date: 07-07
Revisions	7/07 JRD	MODEL 1305
<b>Park Brake Kit A</b>		<b>K1305PB/10-0934</b>





**NOTE:** The longest threaded rod on Item #1 Wheel-Loc Hub, goes through this hole on Item #3 Plate WA.

**VIEW A-A**



**Optional Equipment**

17	2	10-0104	Bushing 1 x 1.25 x 1
16	1	10-1116	Key 1/4 x 1.25
15	1	10-1113	E-Clip 1"
14	2	10-1110	Washer 1" Machine 1 x 1.5 x .07
13	1	10-1217	Washer 1 SAE
12	4	NSS	Lock Washer 1/2
11	2	10-1106	Washer 1/2 Machine 1/2 x 7/8 x .07
10	4	10-1218	Jam Nut 1/2" Fine Thread
9	4	10-1219	Lug Nut 1/2" Fine Thread
8	1	10-0875	Spacer
7	1	10-0877	Spring C-137
6	1	10-0879	Engagement WA
5	1	10-0843	Spacer
4	1	10-0871	Wheel Engagement Hub WA
3	1	10-0921	Plate WA
2	4	10-0876	Spacer
1	1	10-0874	Wheel-Loc Hub
Item	Qty.	Part #	Description

**Note:** All hardware is Grade 5, plated and course thread unless otherwise specified.

**TURF TEQ LLC**

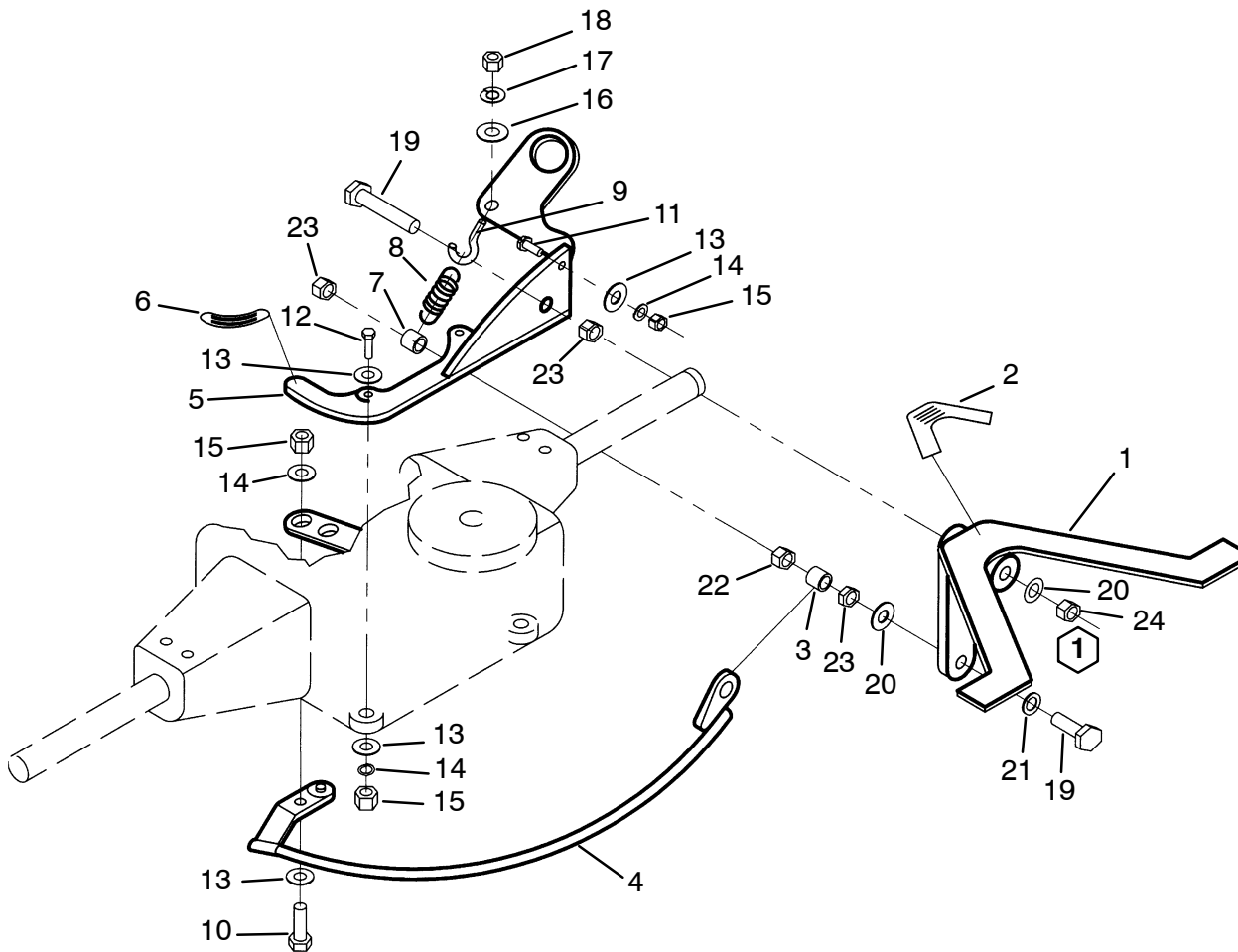
Date: 07-07

Revisions 7/07 JRD

MODEL 1305

**Wheel-Loc Kit A**

**K1305WL/10-0936**



**Note:** Items 5, 6, 11, 12, 13, 14, and 15 are standard on all machines and are not part of the optional kit.

24	1	10-1220	Lock Nut 1/2
23	3	10-1204	Jam Nut 1/2
22	1	NSS	Nut 1/2
21	1	NSS	Lock Washer 1/2
20	2	10-1106	Washer 1/2 Machine 1/2 x 7/8 x .07
19	2	NSS	Hex Tap Bolt 1/2 x 3
18	1	NSS	Nut 3/8
17	1	NSS	Lock Washer 3/8
16	1	10-1221	Washer 3/8 SAE
15	4	NSS	Nut 5/16
14	5	NSS	Lock Washer 5/16
13	5	10-1214	Washer 5/16 SAE
12	2	NSS	Hex Bolt 5/16 x 2.25
11	1	NSS	Carr Bolt 5/16 x 1
10	1	NSS	Hex Bolt 5/16 x 1
9	1	10-0757	Eyebolt 3/8 x 4
8	1	10-0756	Spring
7	1	10-0843	Spacer
6	1	10-0884	Decal
5	1	10-0818	Mount WA
4	1	10-0867	Arm WA
3	1	10-0883	Bushing
2	1	10-0885	Decal
1	1	10-0817	Arm WA
<i>Item</i>	<i>Qty.</i>	<i>Part #</i>	<i>Description</i>

1 Install nut so there is 1/16" gap between 20 and 24.

### Optional Equipment

**Note:** All hardware is Grade 5, plated and course thread unless otherwise specified.

TURF TEQ LLC

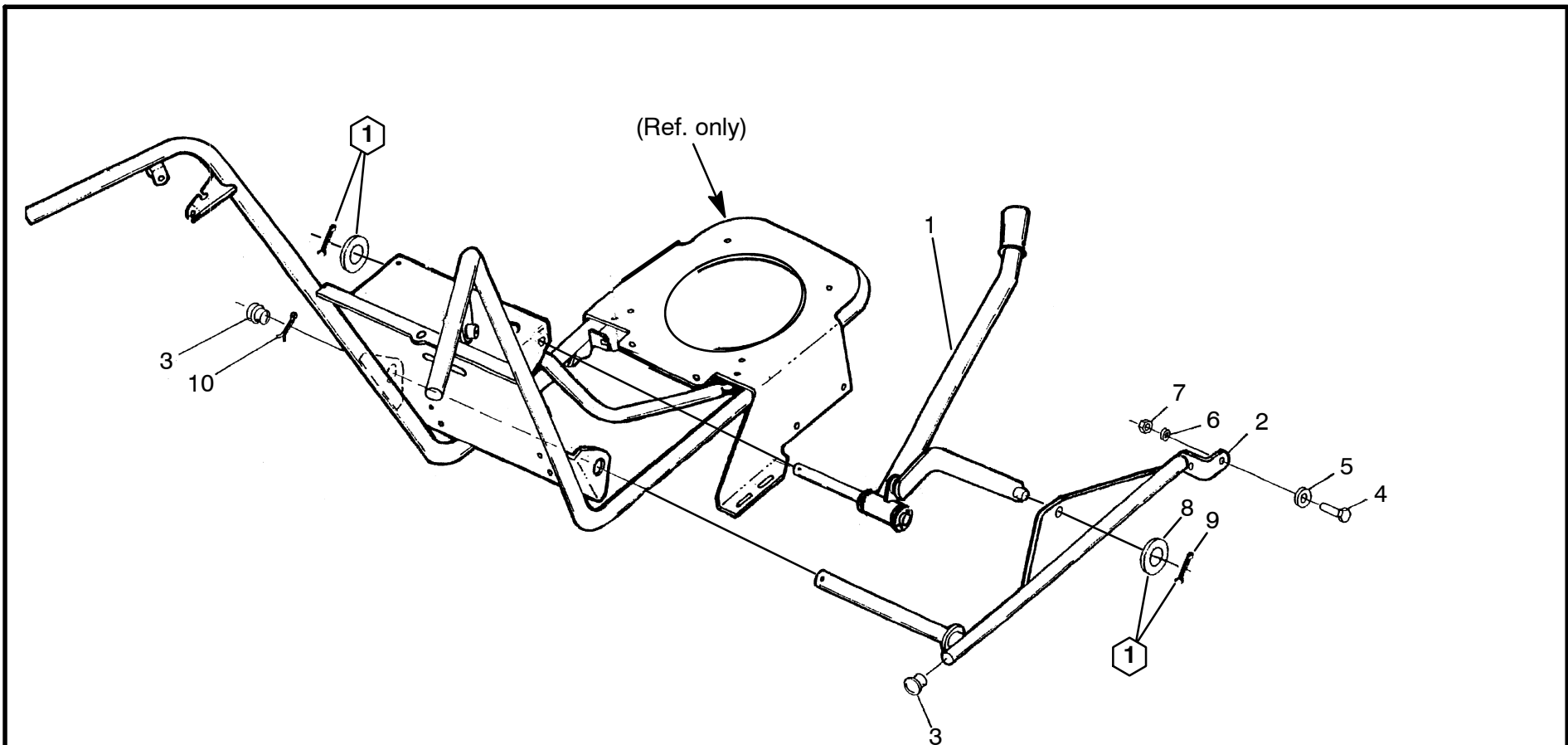
Date:12-07

Revisions 12/07 JRD

MODEL 1305

Differential-Loc Kit A

K1305DL/10-0937



**Optional Equipment**

**1** Supplied With Lift Arm (Item #1).

**Note:** All hardware is Grade 5, plated and course thread unless otherwise specified.

10	1	10-1222	Cotter Pin 1/8 x 1-3/4
9	1	10-1223	Cotter Pin 1/8 x 3/4
8	1	10-1224	Washer 5/8 SAE 1.31 x .65 x .09
7	1	NSS	Nut 5/16
6	1	NSS	Lock Washer 5/16
5	1	10-1214	Washer 5/16 SAE
4	1	NSS	Hex Bolt 5/16 x 1
3	2	10-0354	End Plug
2	1	10-0341	Lift Arm WA
1	1	10-0680	Lift Arm A
<i>Item</i>	<i>Qty.</i>	<i>Part #</i>	<i>Description</i>

<b>TURF TEQ LLC</b>		Date: 07-07
Revisions	7/07 JRD	MODEL 1305
<b>Broom/Edger Lift Kit A</b>		<b>K1305LK/10-0938</b>

