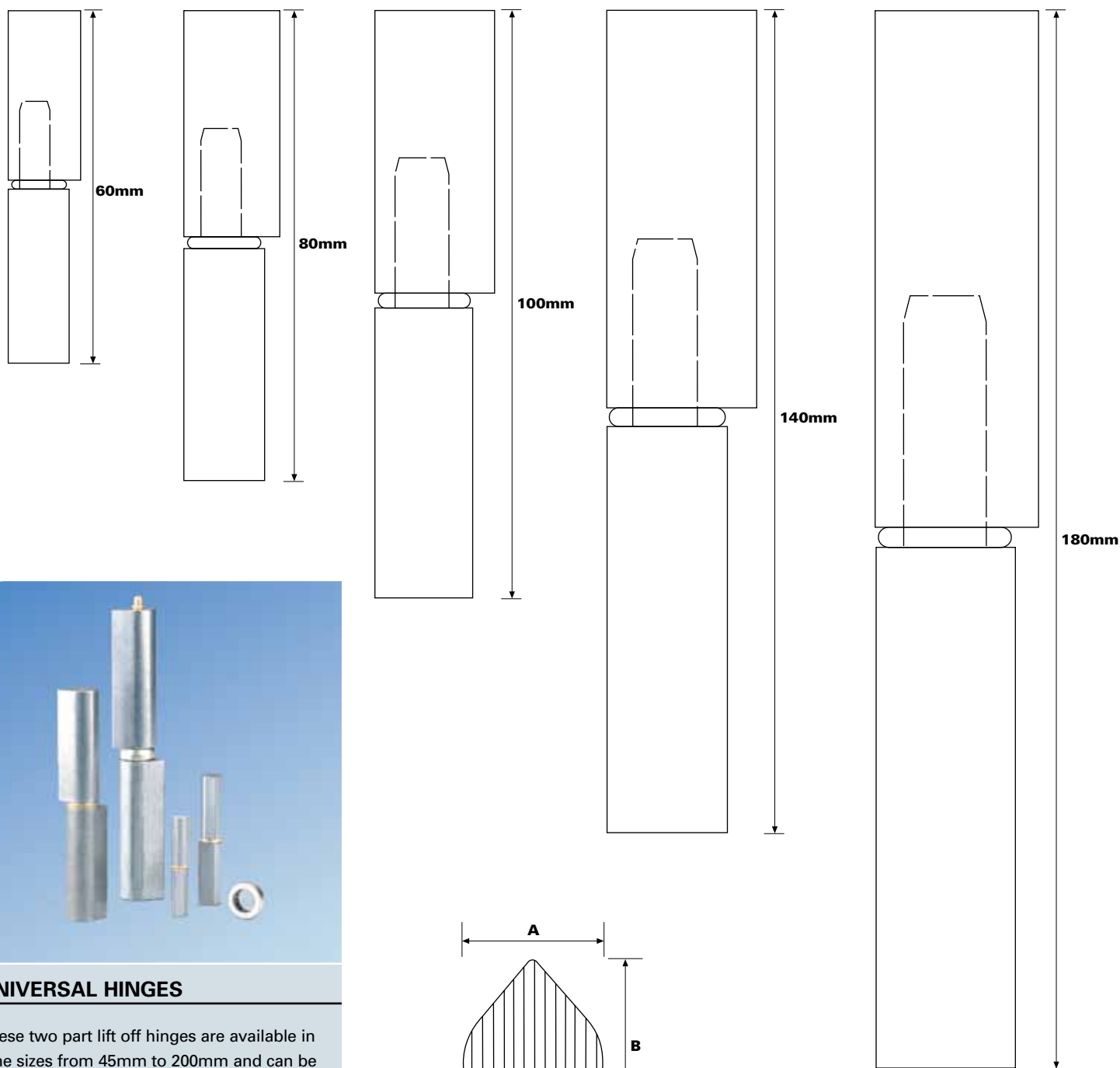


A range of hinges specially designed for weld fixing and which are suitable for steel doors, grilles, security cabinets and more.

# Welding Hinges



# Welding hinges



## UNIVERSAL HINGES

These two part lift off hinges are available in nine sizes from 45mm to 200mm and can be used on doors of either hand. The tear-drop knuckle profiles are machined from hot rolled easy weld steel sections and are fitted with a fixed steel pin. All sizes are complete with a brass washer but as an alternative, a limited range can be fitted with a ball bearing washer. Five sizes are also available in stainless steel. (Grade 304L)

**Note: Ball bearing washer** increases overall height by 4mm approx. Ball bearing washers are recommended for heavy duty doors and doors which are in constant use. The bearing assembly consists of 2 hardened steel cones in a steel case.

Height mm	45	60	80	100	120	140	160	180	200
Cross Section A x B mm	10x12.5	10x12.5	13x16	16x20	16x20	20x25	20x25	23x29	23x29
Pin ø mm	5.5	5.5	7	9	9	11	12	14	14
Steel with brass washer	✓	✓	✓	✓	✓	✓	✓	✓	✓
Ball bearing				✓	✓	✓	✓	✓	✓
Grease nipple					✓			✓	
All stainless steel		✓	✓	✓	✓	✓			



### SPRING HINGE 551/257

Code	A	B	C	D	∅
551	250	22	25	2	16
257	150	22	25	7	14

A simple and economical system for single action, self-closing, steel doors. Both the spring unit and hinges are weld fixed to the door and frame. The spring unit has an adjustable strength spring whilst the hinges have brass pins and ball bearing washer.

#### Two hardware kits are available:

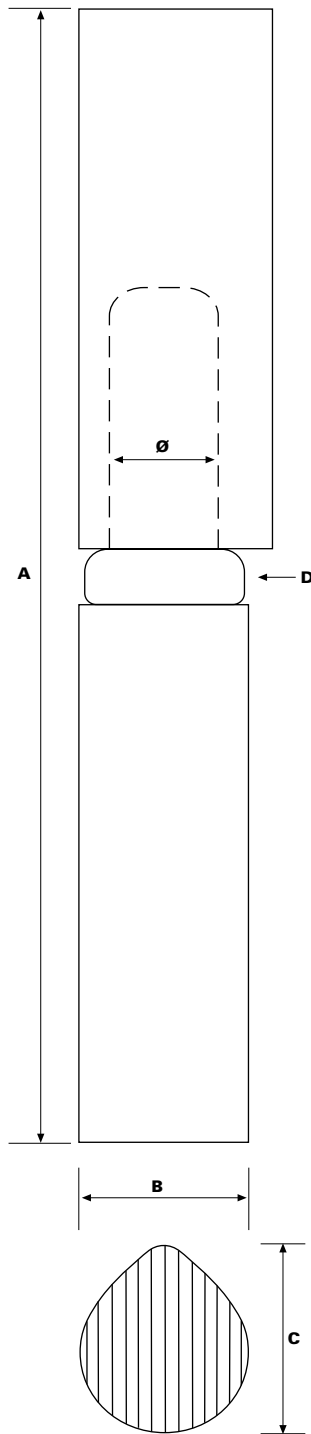
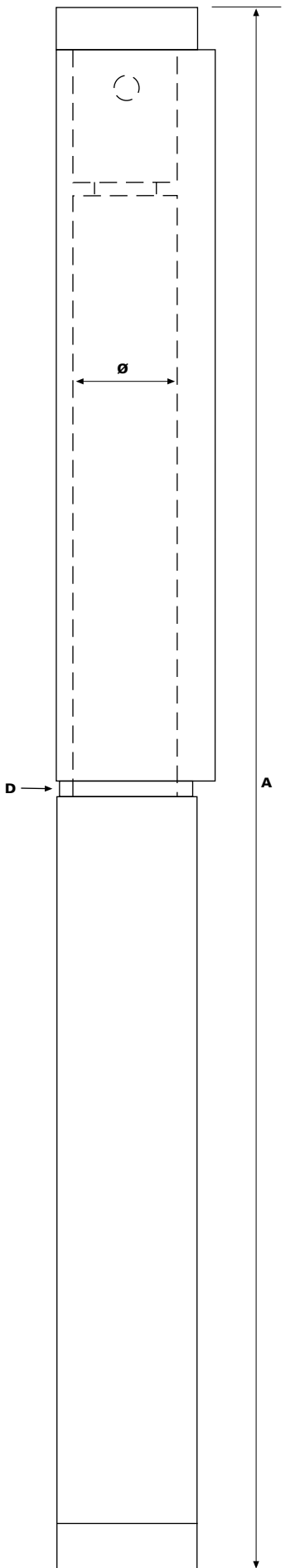
##### For doors up to 60kg/1000mm wide

Kit 551/60/257 consisting of 1 spring unit and 2 hinges.

##### For doors up to 100kg/1200mm wide

Kit 551/100/257 consisting of 2 spring units and 2 hinges.

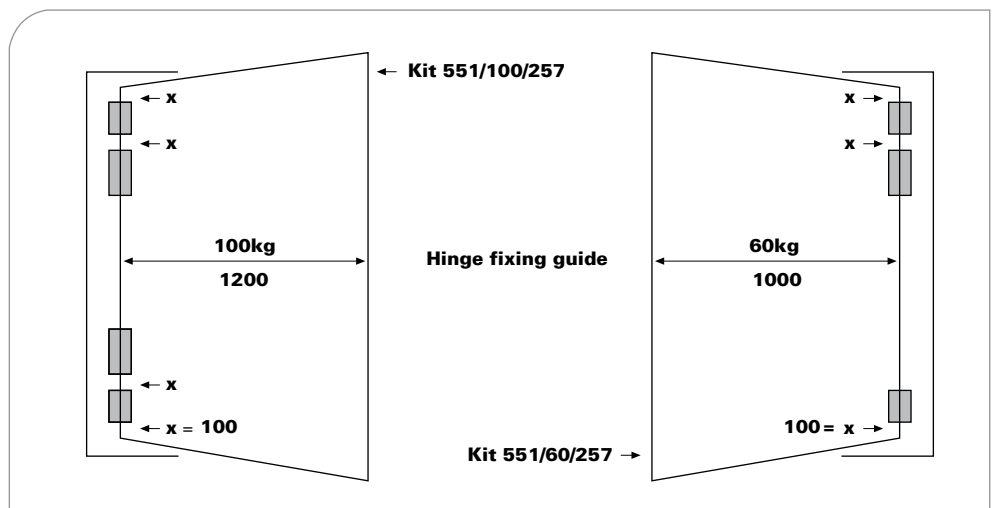
The hardware can be fitted to doors of either hand.



Hinge No. 257

All dimensions in millimeters

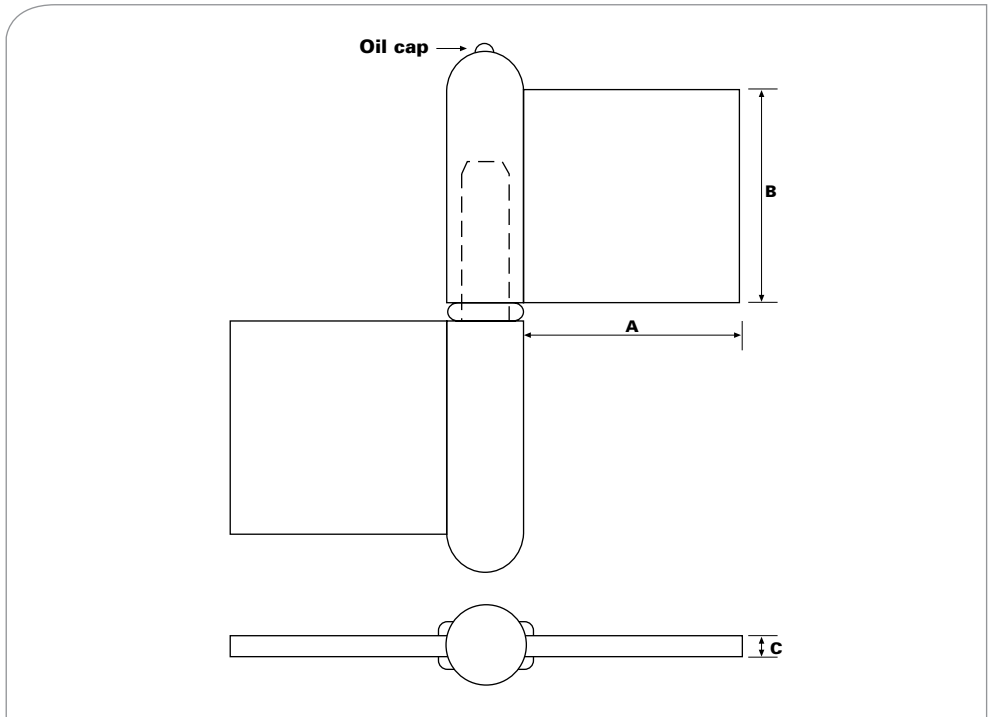
Spring unit No. 551





### FLAG HINGE

These two part lift-off hinges are available in eight sizes and because the flag plates are not offset they can be fitted to doors of either hand. The mild steel flag plates are electrically welded to the round, steel knuckle which is fitted with a steel pin. All sizes are complete with a brass washer but as an alternative a limited range can be fitted with a ball bearing washer. All sizes incorporate an oiling hole and cap.



Size mm	60	70	80	90	100	120	140	160
Plate size A x B mm	30x30	35x35	40x40	45x45	50x50	60x60	70x70	70x80
Plate thickness C mm	5	5	5	5	5	6	6	6
Knuckle $\phi$ mm	14	16	18	20	20	22	22	23
Pin $\phi$ mm	7	8	9	10	12	12	12	14
Steel with brass washer	✓	✓	✓	✓	✓	✓	✓	✓
Ball bearing			✓	✓	✓	✓	✓	✓

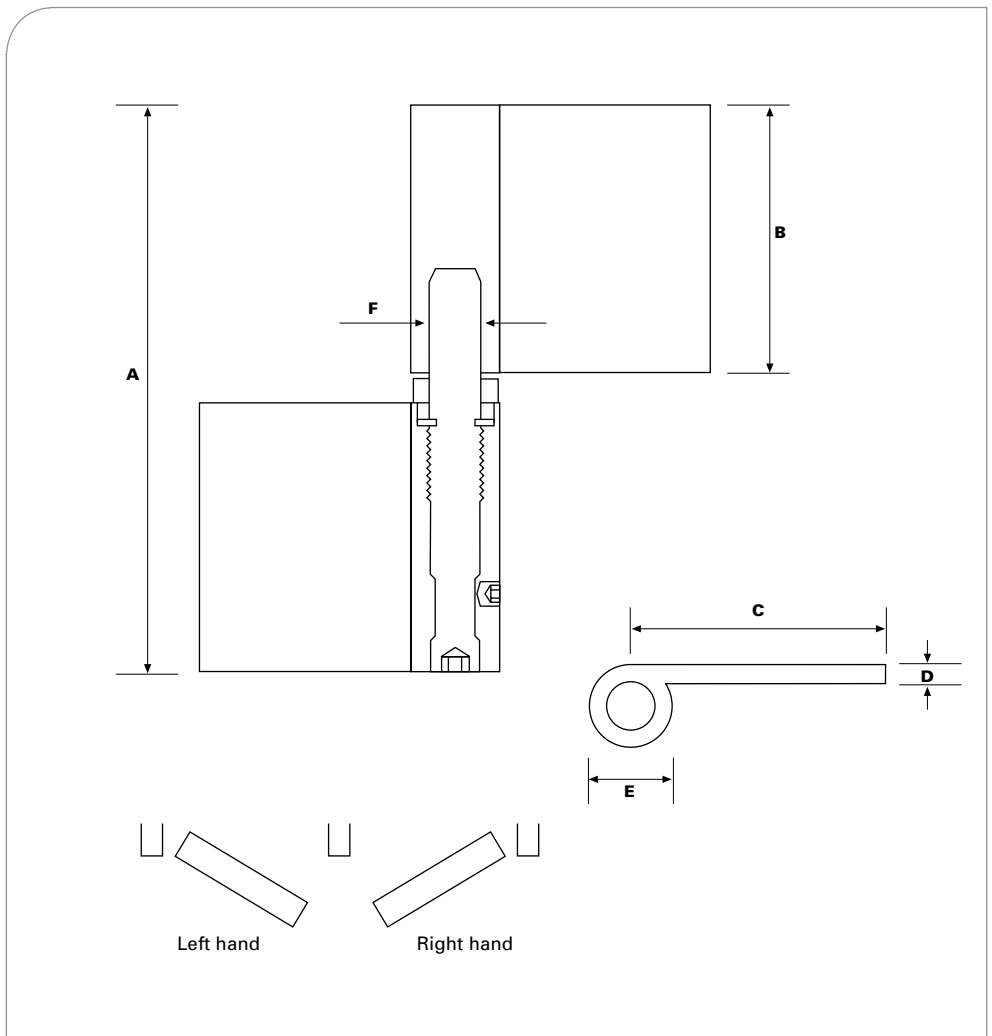


### FLAG HINGE 1150RR

A	B	C	D	E	F
140	65	67	6	$\phi 22$	$\phi 14$

#### A heavy duty lift-off hinge with offset flags.

The hinge parts are machined from a hot rolled mild steel profile and supplied unplated for either welding or bolt fixing. The adjustable 14mm  $\phi$  zinc plated steel pin is fitted with a ball bearing washer. As these hinges are handed - please specify when ordering.



# Industrial hinges

A range of hinges designed for sheet metal and other types of steel door and fabrication.

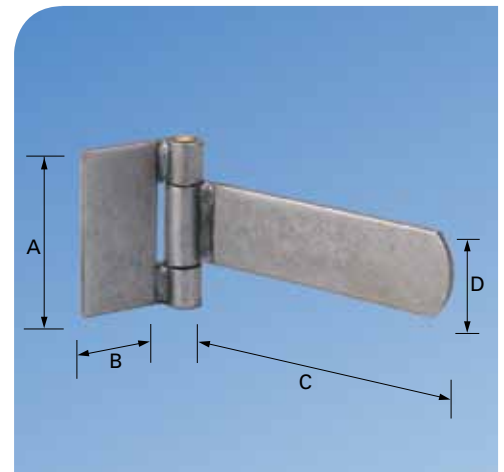
Normally fixing is by welding but bolt fixing is an alternative for certain hinges. All hinges are manufactured from steel, they are ungalvanized and hinge parts are undrilled.



**BACKFLAP HINGE 579**

Double welded plates and brass pin

A 50mm	B 45mm	C 5mm
A 50mm	B 90mm	C 7mm
A 75mm	B 90mm	C 9mm
A 75mm	B 140mm	C 10mm



**TEE HINGE 580**

Welded knuckle

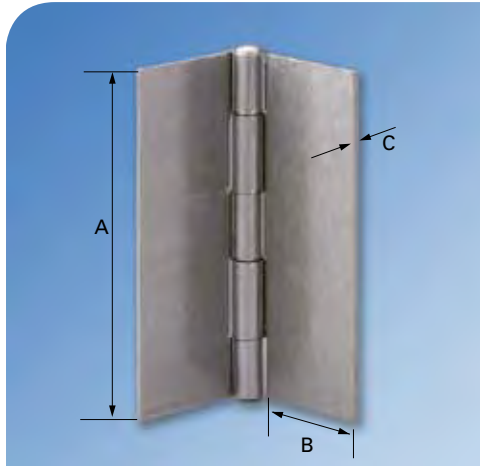
A 115mm	B 55mm	C 195mm	D 55mm
---------	--------	---------	--------



**SECURITY BUTT HINGE 899X**

Double pressed plates with security pins

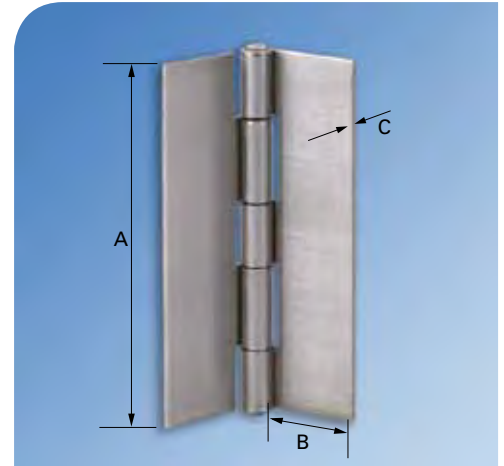
A 100mm	B 30mm	C 4mm
---------	--------	-------



**BUTT HINGE 1838T**

Cranked plates

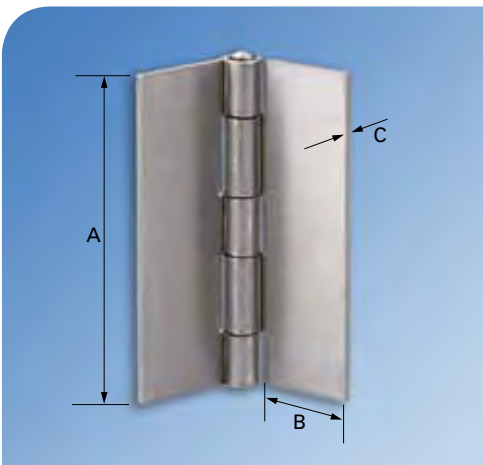
A 50mm	B 15mm	C 1.2mm
A 75mm	B 20mm	C 1.5mm
A 100mm	B 23mm	C 1.8mm



**BUTT HINGE 5050T**

Uncranked plates

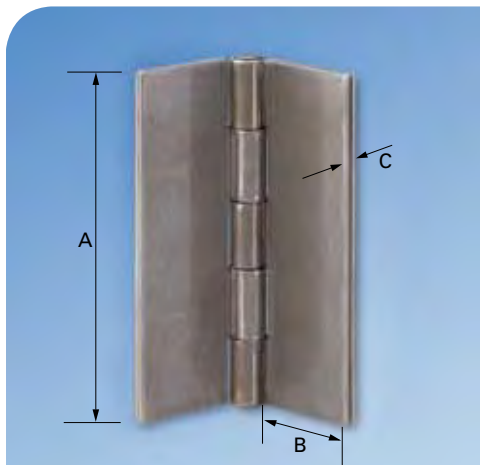
A 50mm	B 15mm	C 1.2mm
A 75mm	B 20mm	C 1.5mm
A 100mm	B 23mm	C 1.8mm
A 150mm	B 32mm	C 2mm



**BUTT HINGE 451T**

Cranked plates

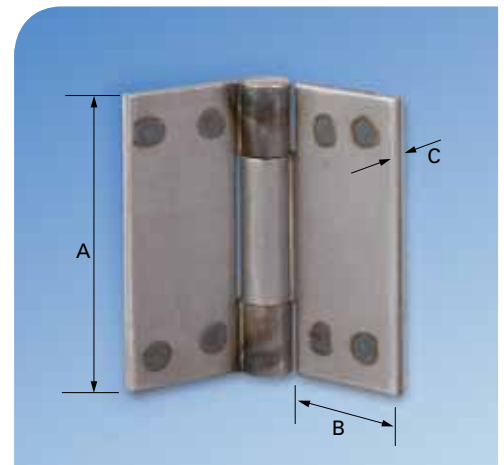
A 100mm	B 30mm	C 3mm
---------	--------	-------



**BUTT HINGE 899T**

Uncranked, double pressed plates

A 100mm	B 30mm	C 4mm
A 150mm	B 40mm	C 7mm



**BUTT HINGE 575**

Uncranked, double welded plates

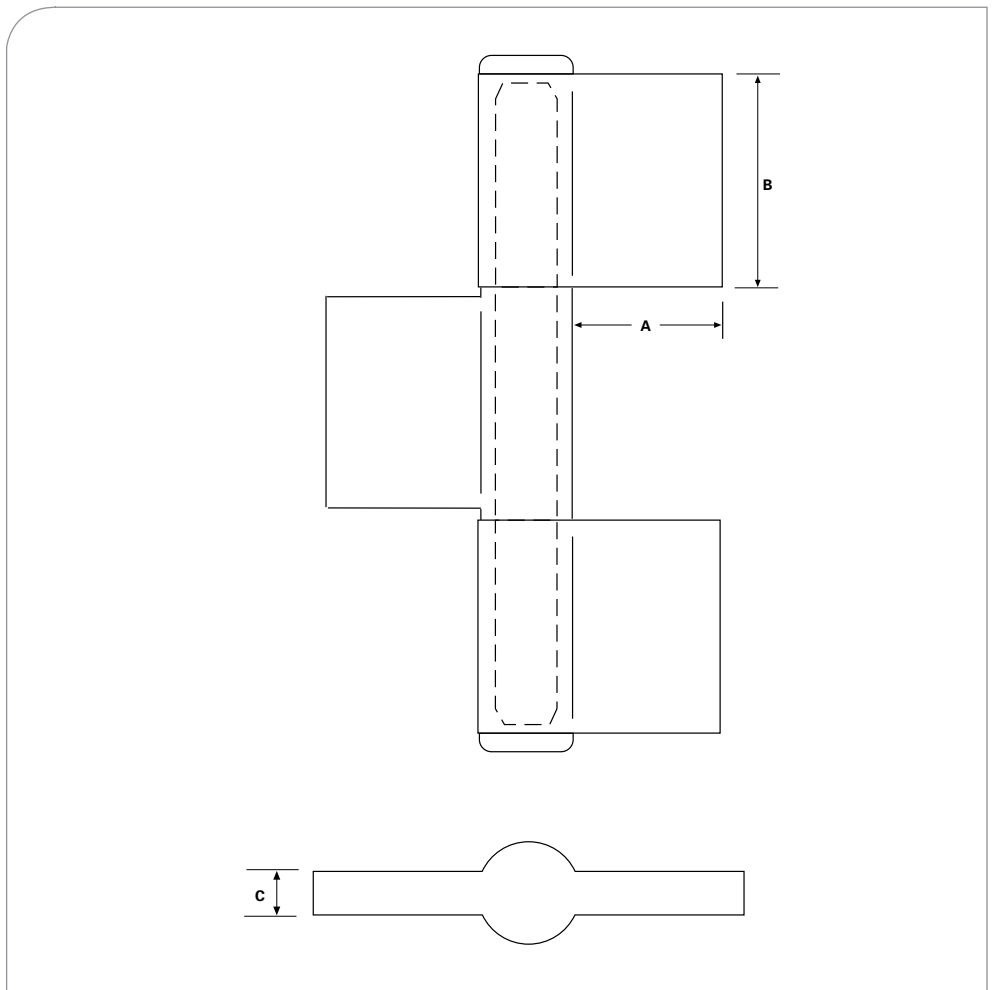
A 100mm	B 40mm	C 6mm
A 150mm	B 65mm	C 6mm



### FLAG HINGE 220/280

Size mm	220	280
Plate size A x B mm	50x70	75x90
Plate thickness C mm	10	12
Knuckle $\phi$ mm	28	32
Pin $\phi$ mm	18	20

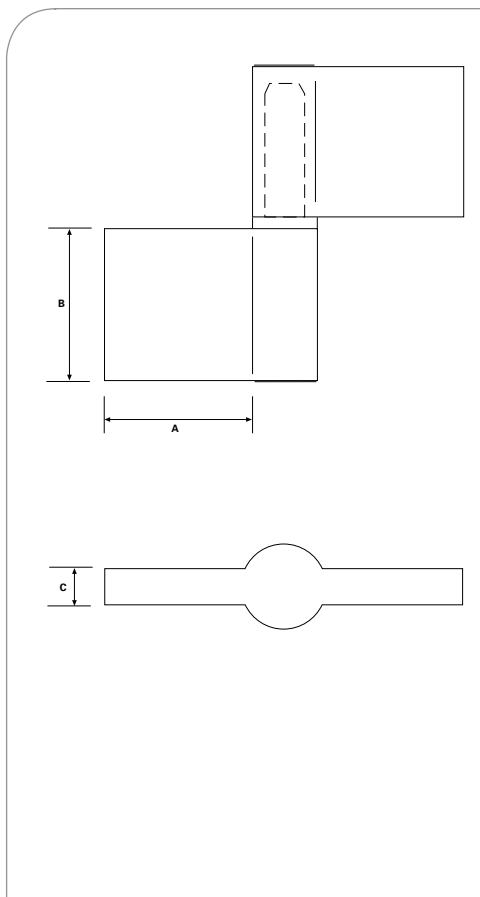
**Three flag hinge:** These are specially designed for heavy steel doors. The large diameter steel pin is removable to make the door easier to hang. They are supplied with special ball bearing washers. Made to order only, in mild steel. This is not a stock item.



### SS FLAG HINGE

Size mm	80	100
Plate size A x E mm	40x40	50x50
Plate thickness C mm	5	5
Knuckle $\phi$ mm	18	20
Pin $\phi$ mm	9	12

**Stainless steel two flag hinge:** These hinges are fabricated in stainless steel (grade 304) with the flags electronically welded to the round profile knuckle. They are fitted with a fixed stainless steel pin and washer.



### STAMPED HINGE

Length:	105mm
Plate size:	10mm x 47mm
Material thickness:	4mm
Knuckle diameter:	28mm
Pin diameter:	19.8mm

**Pin115.90 Stamped Hinge with Extractable Pin and brass washer.**

Barrier Components Ltd, Unit 8, Dolphin Way, Dolphin Point, Purfleet, Essex RM19 1NR  
tel 01708 891 515 fax 01708 891 516

free fax order hotline 0800 136349

sales@barrier-components.co.uk www.barrier-components.co.uk