

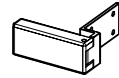







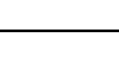
LAMP® XL-GC07 Hinge with Catch Installation Manual PAT

Thank you for purchasing our product. Read all instructions carefully before installation. Before starting installation, clear area of any hazardous objects. Be careful to avoid injury.

Caution Using this product without observing the cautions may result in the product failure, accidental injury or installation failure.

Parts Structure

Prepare 4 sets of each part for the specification shown in Figure A.

- ①  ...Hinge Body with Catch Unit × 1
- ②  ...Back Plate × 1
- ③  ...Back Plate Gasket × 1
- ④  ...Gasket × 1
- ⑤  ...Tube × 2
- ⑥  ...M6 Fixing Screw × 2
- ⑦  ...M6 Flat Washer × 2
- ⑧  ...Wood Screw × 4 (4.5×20 Flat Head)
- ⑨  ...Finger Jamming Caution Seal × 1

Wood Frame (Completed installation)

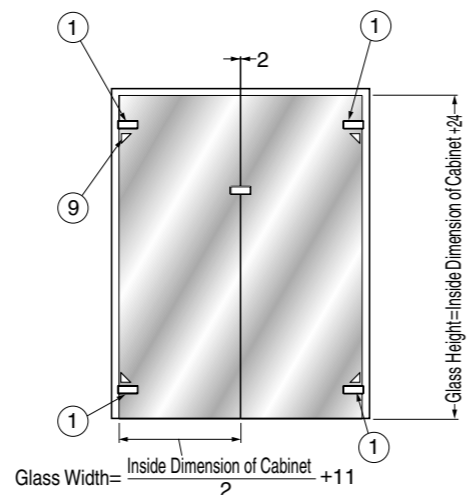


Figure A

Glass Door Processing

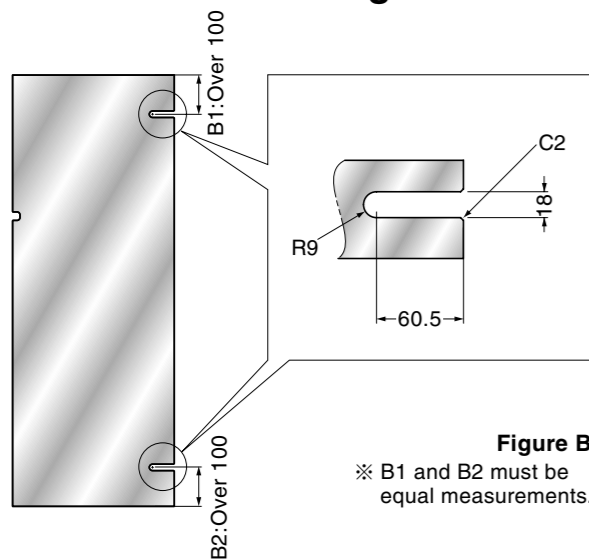


Figure B

※ B1 and B2 must be equal measurements.

Caution

- Applicable glass door size is within W500 mm × H1200 mm and the applicable weight is not more than 12 kg.
- Applicable glass thickness is 5, 6 or 8 mm.
- If you have any questions on glass processing, please consult your glazing company.

Hinge with Catch Installation

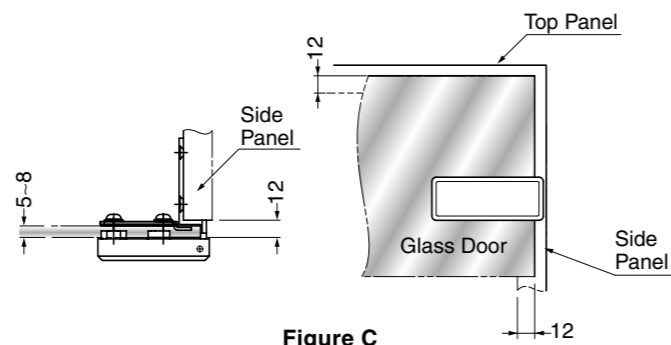


Figure C

Hinge must have a 12 mm covering margin over the top, bottom and side panels.

Caution

Place a soft cloth on the floor before installation or glass may be scratched.

1 Hinge Assembly

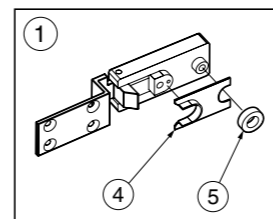


Figure D

Set the gasket ④ and tube ⑤ on the hinge with catch unit ① as shown in Figure D.

2 Hinge Assembly

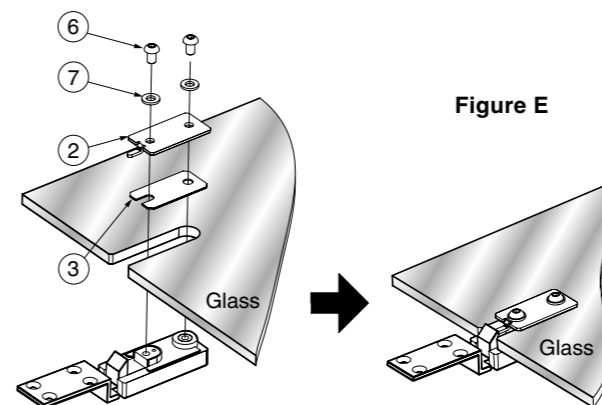


Figure E

Referring to Figure E, put the hinge on the glass as shown in Figure D. Then set the back plate gasket ③ back plate ② flat washers ⑦ and fixing screws ⑥ in this order and fasten the screws. Repeat process for remaining hinges.

3 Hanging Door

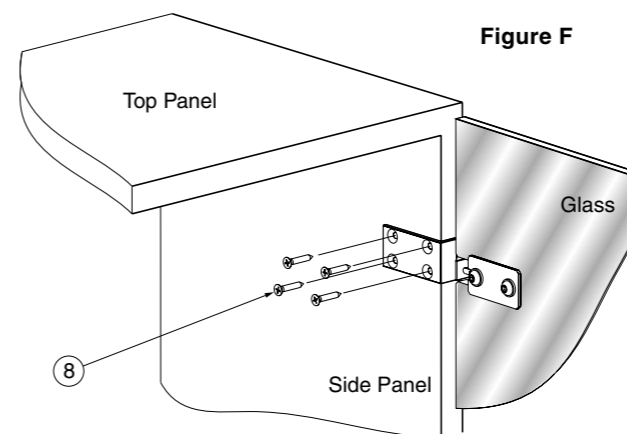


Figure F

Fit the hinge with wood screws ⑧ on the side panel as shown in Figure F.

Lastly, affix the finger jamming caution seals ⑨ as shown in Figure A.



For Overseas Customers
SUGATSUNE KOGYO CO., LTD.

1-8-11 HigashiKanda, Chiyoda-ku,
Tokyo 101-8633, Japan
TEL:+81-3-3866-2260 FAX:+81-3-3866-4447
http://www.sugatsune.co.jp
E-mail : export@sugatsune.co.jp
ISO9001(JSAQ384) ISO14001(JSAE597) CERTIFICATE.

For North American Customers
SUGATSUNE AMERICA, INC.

221 East Selandia Lane,
Carson, CA 90746, U.S.A.
TEL:+1-310-329-6373 FAX:+1-310-329-0819
TOLL FREE:(800) 562-5267 (from U.S.A & Canada only)
http://www.sugatsune.com
E-mail : sales@sugatsune.com