

Downee Medium/Heavy Duty Hinges DPH210 Self closing hinge – with legs

Installation, instruction and maintenance sheet

PLEASE CAREFULLY READ ALL OF THE INSTRUCTIONS PRIOR TO INSTALLATION

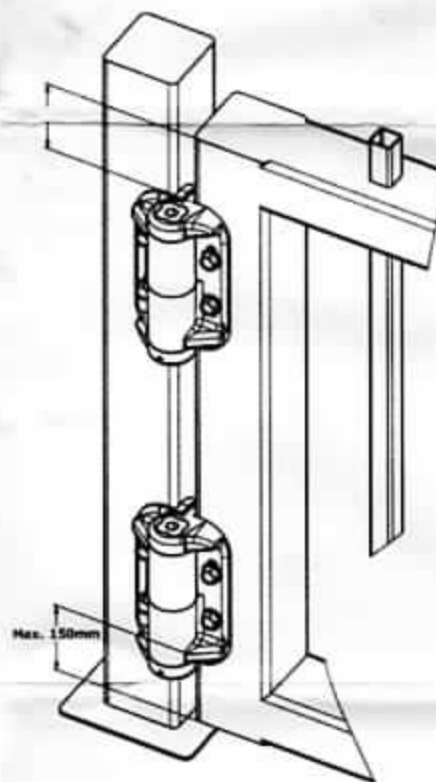
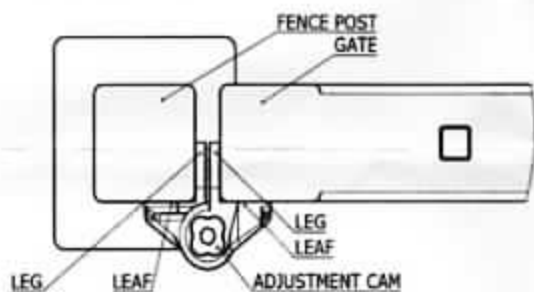
Step 1 – Hinge mounting

The hinge should be mounted as shown.
The leaves should be positioned on the outside surface of the posts when the gate is closed.

The top surface of the upper hinge should be mounted within 150 mm of the top surface of the top rail and the bottom surface of the lower hinge should be mounted within 150 mm of the lower surface of the lower rail.

Use the countersunk screws that come with the hinge to fix the legs of the hinge to the sides of the fence and gate post.

In applications where additional hinges are used, they should be evenly spaced between the upper and lower hinges.



Step 2 – Spring tension adjustment

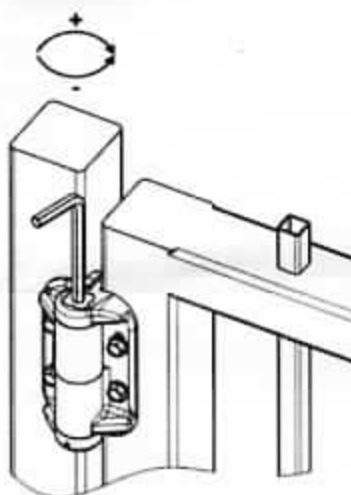
Insert an Allen key (1/4", as supplied, or 6 mm) into the cam at the end of the hinge barrel.

Press the Allen key downward, pushing the cam into the barrel.

Rotate the cam clockwise to increase spring tension and counter-clockwise to reduce spring tension.

Adjust one hinge at a time in 1/4 turn increments.

WARNING:
SPRING TENSION SHOULD NEVER BE INCREASED MORE THAN 2 FULL TURNS (8 QUARTER TURNS) FROM THE NEUTRAL POSITION



MAINTENANCE: The hinge should be inspected annually or more frequently if the gate is used often. Spring tension adjustments should be made as needed.

Do not use petroleum based lubricants on the moving parts of the hinge. Lubricate with powdered graphite only. Keep the hinge free of contaminants, such as sand, ice and dust, as they could impair its function.