

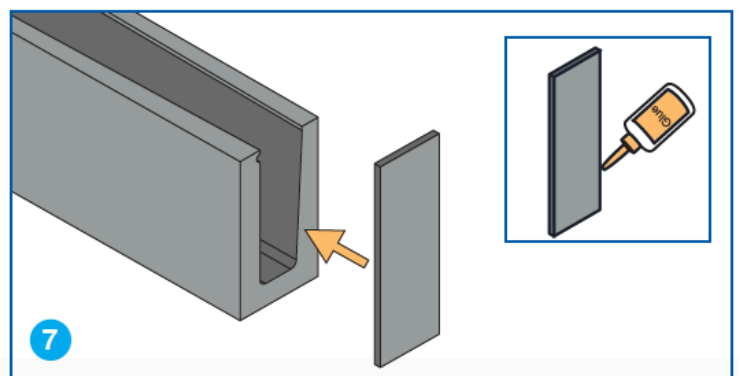
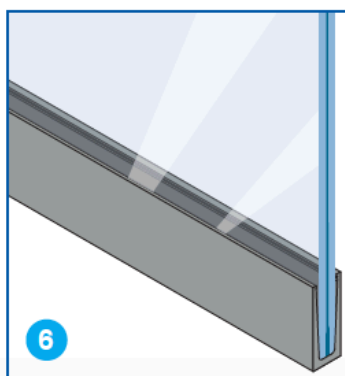
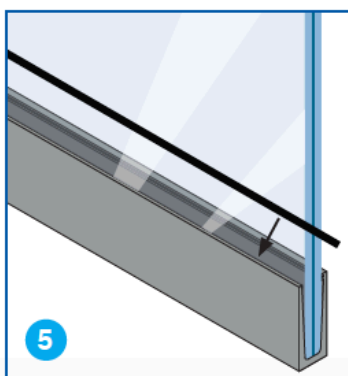
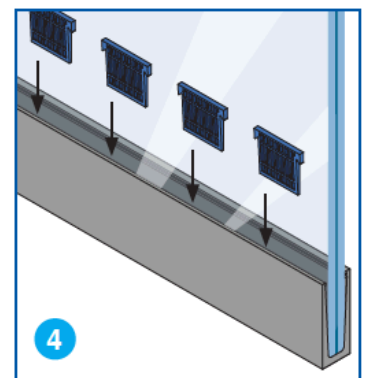
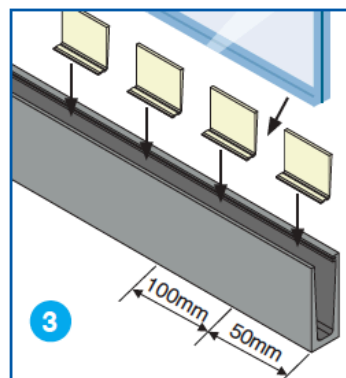
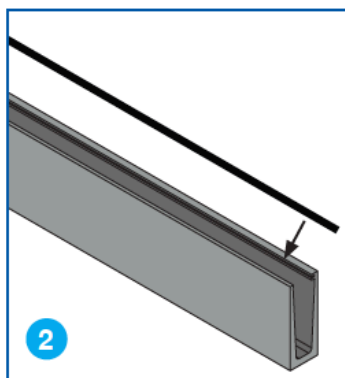
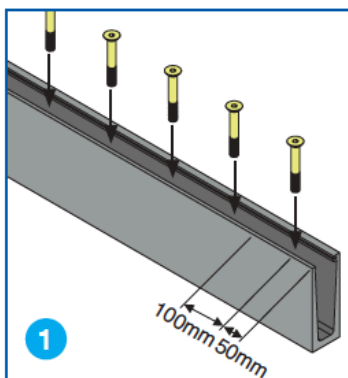
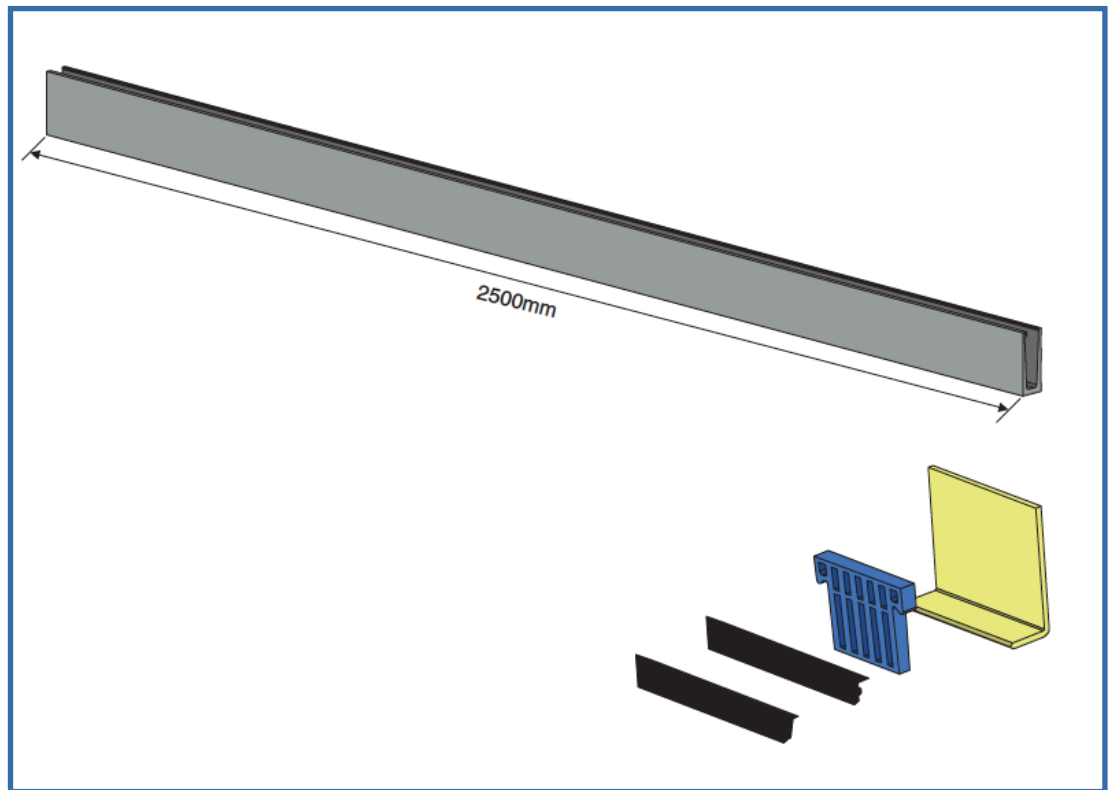
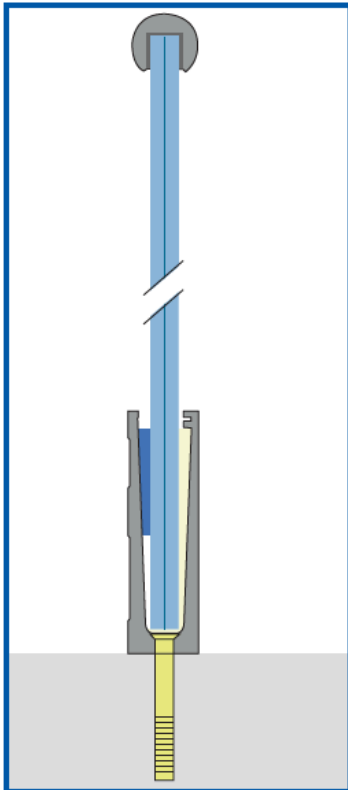
Barrier Wedge Loc Slim Installation Guide - Base Fix



Details below show the installation of the Base Fix variant of the Wedge Loc Slim.

Please ensure that the substrate you are fixing to is flat, level and deemed fit to support your balustrade by a structural engineer or competent builder.

Please note that fixings need to be countersunk to work with this system whilst also being of the correct type to meet the requirements of the substrate.



Barrier Wedge Loc Slim Installation Guide - Side Fix



Details below show the installation of the Side Fix variant of the Wedge Loc Slim.

Please ensure that the substrate you are fixing to is flat, level and deemed fit to support your balustrade by a structural engineer or competent builder.

Please note that fixings need to be countersunk to work with this system whilst also being of the correct type to meet the requirements of the substrate.

