



THE GATE CLOSER SPECIALISTS

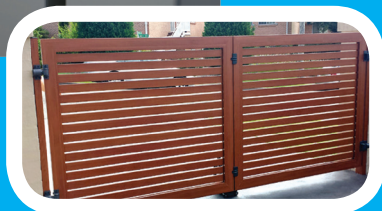
Sure Close Ready Fit

Commercial hinge-closer with 90° opening and separately adjustable hydraulically controlled closing and final latching speeds

A simple to install hinge-closer with separately adjustable closing and latching speeds. Designed for use in both residential and commercial applications and comes with a 2 year limited warranty.

A Hinge - Closer in one small, Powerful package

LIMITED **2 YEAR** WARRANTY



Sure Close Overview:

Ideal closing solution for gates mounted between brick piers or against walls

90° opening angle

Low hand force to open gate enables compliance with most regulatory requirements and guidelines

Available in both aluminium screw-on and steel weld-on versions

Can be used for right and left hinged gates Suitable for 12 - 35 mm post to gate gaps

Separately adjustable hydraulically controlled closing and final latching speeds

Two hinge combinations available for gates up to 80kg and between 80 and 120 kg

Supplied with fasteners for screw-on installations

Ordering Details

Product Code.

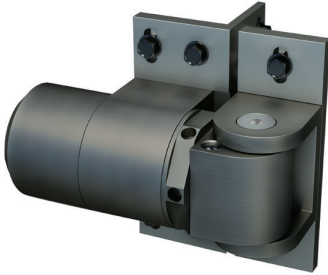
Description:

P.T.O.

Sure close ready Fit

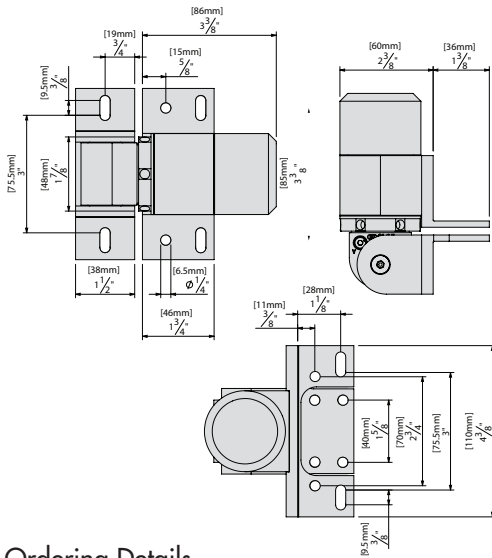
Sure Close Ready Fit

Self-closing and gate swing information plus dimensions

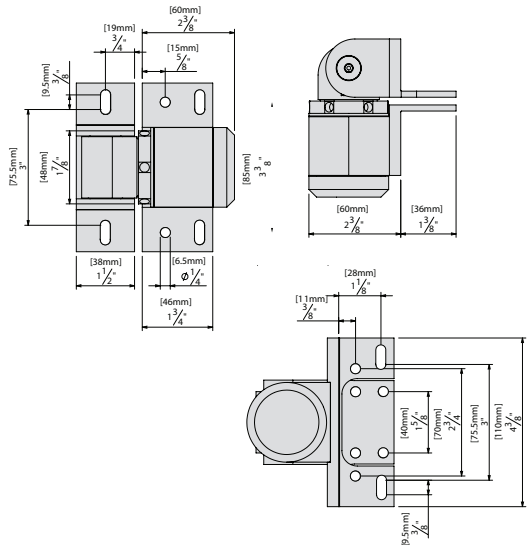


SUREClose® READYFit

Ready Fit 108 SF



Ready Fit SM



Ordering Details

Gate: 1.0 mt W x 1.8 mt H x 80 kg (screw-on brackets)

Quantity	Product Code	Description
1	74001313	RF SM S
1	74108323	RF108SF S

Gate: 1.0 mt W x 1.8 mt H x 80 kg (weld-on brackets)

Quantity	Product Code	Description
1	74001315	RF SM W
1	74108325	RF108SF W

Gate: 1.0 mt W x 1.8 mt H x 120 kg (screw-on brackets)

Quantity	Product Code	Description
2	74108323	RF 108SF S

Gate: 1.0 mt W x 1.8 mt H x 120 kg (weld-on brackets)

Quantity	Product Code	Description
2	74108325	RF 108SF W

Alternative versions available with hold-open function (see brochure Sure Close Ready Fit With Hold-Open)

Sure Close Ready Fit meets most pool safety requirements - contact your local authority for details Gate stop restricting opening angle to 90° is required this version of hinge-closers.

For additional information about suitability for a particular application or installation questions, please contact our office by telephone or email.