

Brush Strip & Sealing Systems

A combination of Quality,
Service & Experience



Standard Brush Strip Range Upright Carrier 180°

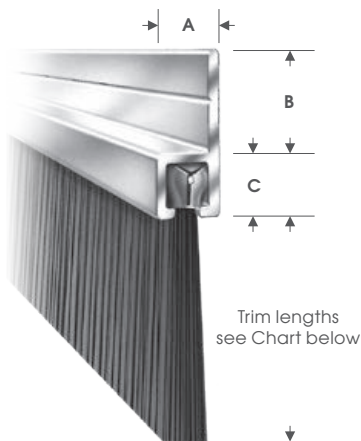
Brush Strips are incredibly versatile and can be customised to fit almost any application. Formseal has an unmatched selection of in-stock standard Brush Strips in a variety of sizes and filament material and overall lengths to meet your immediate need. Formseal's Brush Strip can be supplied cut to size, with fixing holes or coloured to your specification.



- Available in 6 section sizes with over 40 trim lengths or manufactured to customer specification.
- Carriers or Camstrip can be purchased separately.
- Standard lengths: 2m, 2.5m and 3m.
- Cut lengths are available on request.



Example Section 180°



Aluminium thickness: D

All Section 180° Possibilities				
Section	A	B	C	D
No. 1 XSmall	5.20mm	10.50mm	5.30mm	1.20mm
No. 2 Small	6.70mm	11.00mm	7.00mm	1.40mm
No. 3 Medium	8.00mm	13.60mm	8.40mm	1.60mm
No. 4 Large	10.80mm	18.00mm	11.00mm	1.80mm
No. 5 XLarge	13.00mm	20.00mm	13.00mm	1.80mm
No. 6 XXLarge	18.00mm	50.00mm	18.50mm	3.10mm

Measurements are in mm and have a tolerance +/- and are provided as a guide only. All specifications are subject to change at any time without prior notification.

No. 1 Section - XSmall		No. 2 Section - Small		No. 3 Section - Medium		No. 4 Section - Large		No. 5 Section - XLarge		No. 6 Section - XXLarge	
Trim	Ref	Trim	Ref	Trim	Ref	Trim	Ref	Trim	Ref	Trim	Ref
7mm	FS 1/7	15mm	FS 2/15	17mm	FS 3/17	26mm	FS 4/26	46mm	FS 5/46	210mm	FS 6/210
10mm	FS 1/10	20mm	FS 2/20	20mm	FS 3/20	43mm	FS 4/43	50mm	FS 5/50	250mm	FS 6/250
12mm	FS 1/12	26mm	FS 2/26	26mm	FS 3/26	50mm	FS 4/50	66mm	FS 5/66	300mm	FS 6/300
15mm	FS 1/15	34mm	FS 2/34	34mm	FS 3/34	80mm	FS 4/80	80mm	FS 5/80		
		50mm	FS 2/50	40mm	FS 3/40	102mm	FS 4/102	102mm	FS 5/102		
				44mm	FS 3/44			125mm	FS 5/125		
				50mm	FS 3/50			150mm	FS 5/150		
				75mm	FS 3/75			180mm	FS 5/180		
				100mm	FS 3/100						

Measurements are in mm and have a tolerance +/- and are provided as a guide only. All specifications are subject to change at any time without prior notification.



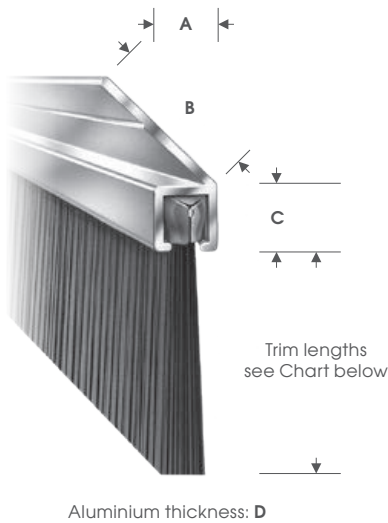
Standard Brush Strip Range

Carrier 45° and 90°



Brush Strips are incredibly versatile and can be customised to fit almost any application. Formseal has an unmatched selection of in-stock standard Brush Strips in a variety of sizes and filament material and overall lengths to meet your immediate need. Formseal's Brush Strip can be supplied cut to size, with fixing holes or coloured to your specification.

Example Section 45°



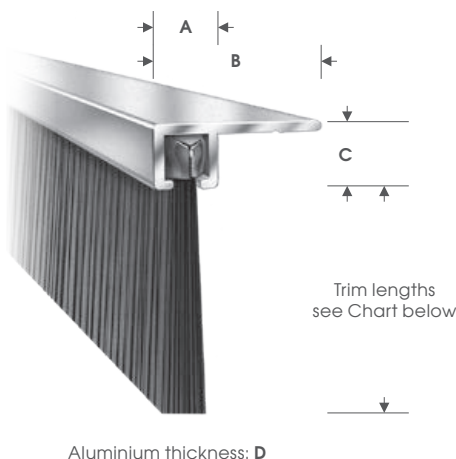
- ✓ Available in 6 section sizes with over 40 trim lengths or manufactured to customer specification.
- ✓ Carriers or Camstrip can be purchased separately.
- ✓ Standard lengths: 2m, 2.5m and 3m.
- ✓ Cut lengths are available on request.



All Section 45° Possibilities				
Section	A	B	C	D
No. 1 XSmall	5.40mm	13.40mm	5.70mm	1.30mm
No. 2 Small	7.20mm	16.50mm	7.10mm	1.70mm
No. 3 Medium	8.00mm	20.00mm	8.40mm	1.60mm
No. 4 Large	10.80mm	27.30mm	11.00mm	2.10mm
No. 5 XLarge	12.50mm	30.00mm	13.00mm	1.90mm
No. 6 XXLLarge	17.90mm	50.00mm	18.10mm	3.00mm

Measurements are in mm and have a tolerance +/- and are provided as a guide only. All specifications are subject to change at any time without prior notification.

Example Section 90°



All Section 90° Possibilities				
Section	A	B	C	D
No. 1 XSmall	5.50mm	15.00mm	6.00mm	1.40mm
No. 2 Small	6.50mm	17.60mm	6.80mm	1.50mm
No. 3 Medium	8.00mm	23.00mm	8.50mm	1.60mm
No. 4 Large	10.70mm	28.00mm	10.50mm	2.10mm
No. 5 XLarge	13.00mm	35.00mm	14.00mm	1.90mm
No. 6 XXLLarge	18.00mm	68.00mm	18.00mm	3.20mm

Measurements are in mm and have a tolerance +/- and are provided as a guide only. All specifications are subject to change at any time without prior notification.

No. 1 Section - XSmall		No. 2 Section - Small		No. 3 Section - Medium		No. 4 Section - Large		No. 5 Section - XLarge		No. 6 Section - XXLLarge	
Trim	Ref	Trim	Ref	Trim	Ref	Trim	Ref	Trim	Ref	Trim	Ref
7mm	FS 1/7	15mm	FS 2/15	17mm	FS 3/17	26mm	FS 4/26	46mm	FS 5/46	210mm	FS 6/210
10mm	FS 1/10	20mm	FS 2/20	20mm	FS 3/20	43mm	FS 4/43	50mm	FS 5/50	250mm	FS 6/250
12mm	FS 1/12	26mm	FS 2/26	26mm	FS 3/26	50mm	FS 4/50	66mm	FS 5/66	300mm	FS 6/300
15mm	FS 1/15	34mm	FS 2/34	34mm	FS 3/34	80mm	FS 4/80	80mm	FS 5/80		
		50mm	FS 2/50	40mm	FS 3/40	102mm	FS 4/102	102mm	FS 5/102		
				44mm	FS 3/44			125mm	FS 5/125		
				50mm	FS 3/50			150mm	FS 5/150		
				75mm	FS 3/75			180mm	FS 5/180		
				100mm	FS 3/100						

Measurements are in mm and have a tolerance +/- and are provided as a guide only. All specifications are subject to change at any time without prior notification.

