

CHARPAK Product Catalogue

Bakery Items

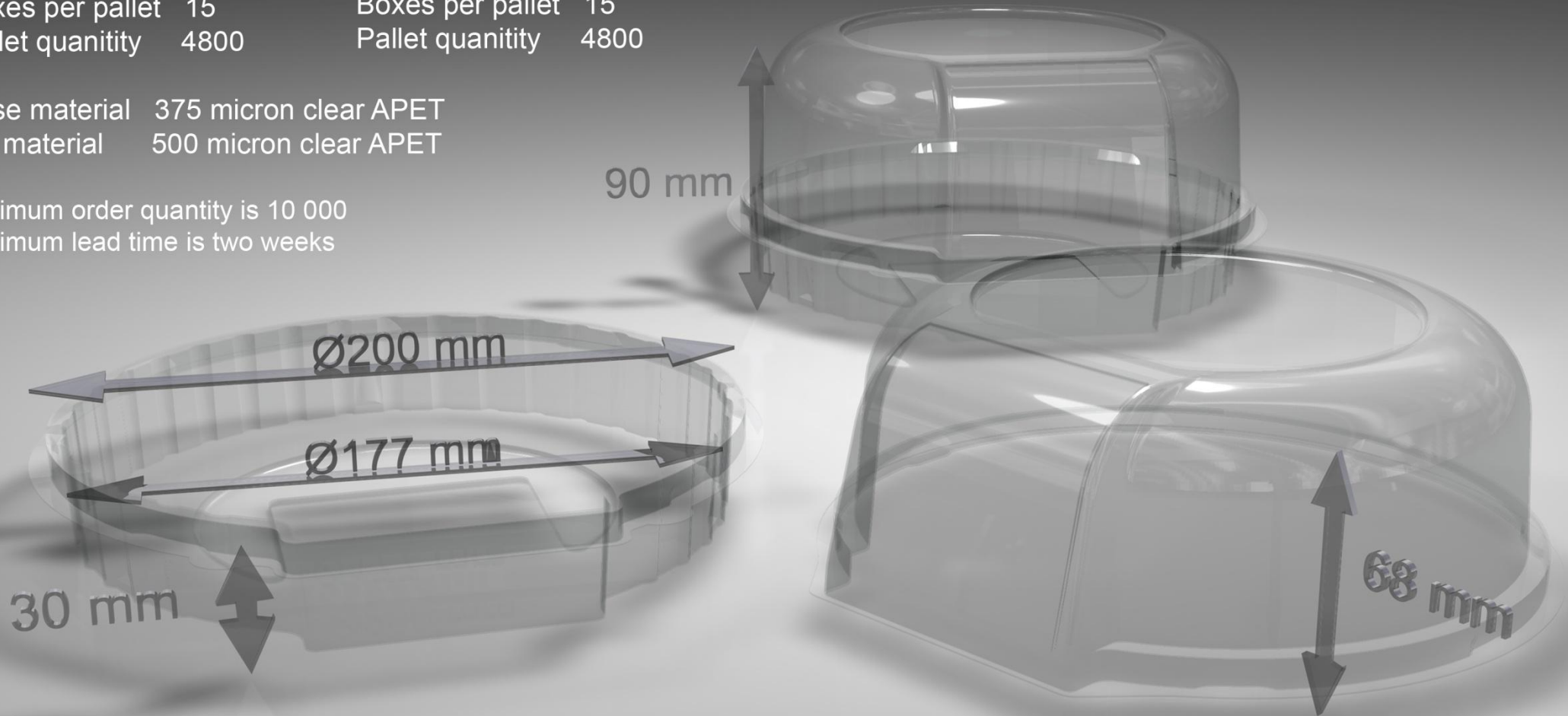
6" CAKE LID AND BASE

To suit a 7" board

BASE CODE	3198	LID CODE	3197
Box quantity	320	Box quantity	320
Boxes per pallet	15	Boxes per pallet	15
Pallet quantity	4800	Pallet quantity	4800

Base material 375 micron clear APET
Lid material 500 micron clear APET

Minimum order quantity is 10 000
Minimum lead time is two weeks



6" CAKE LID AND BASE

To suit a 7" board

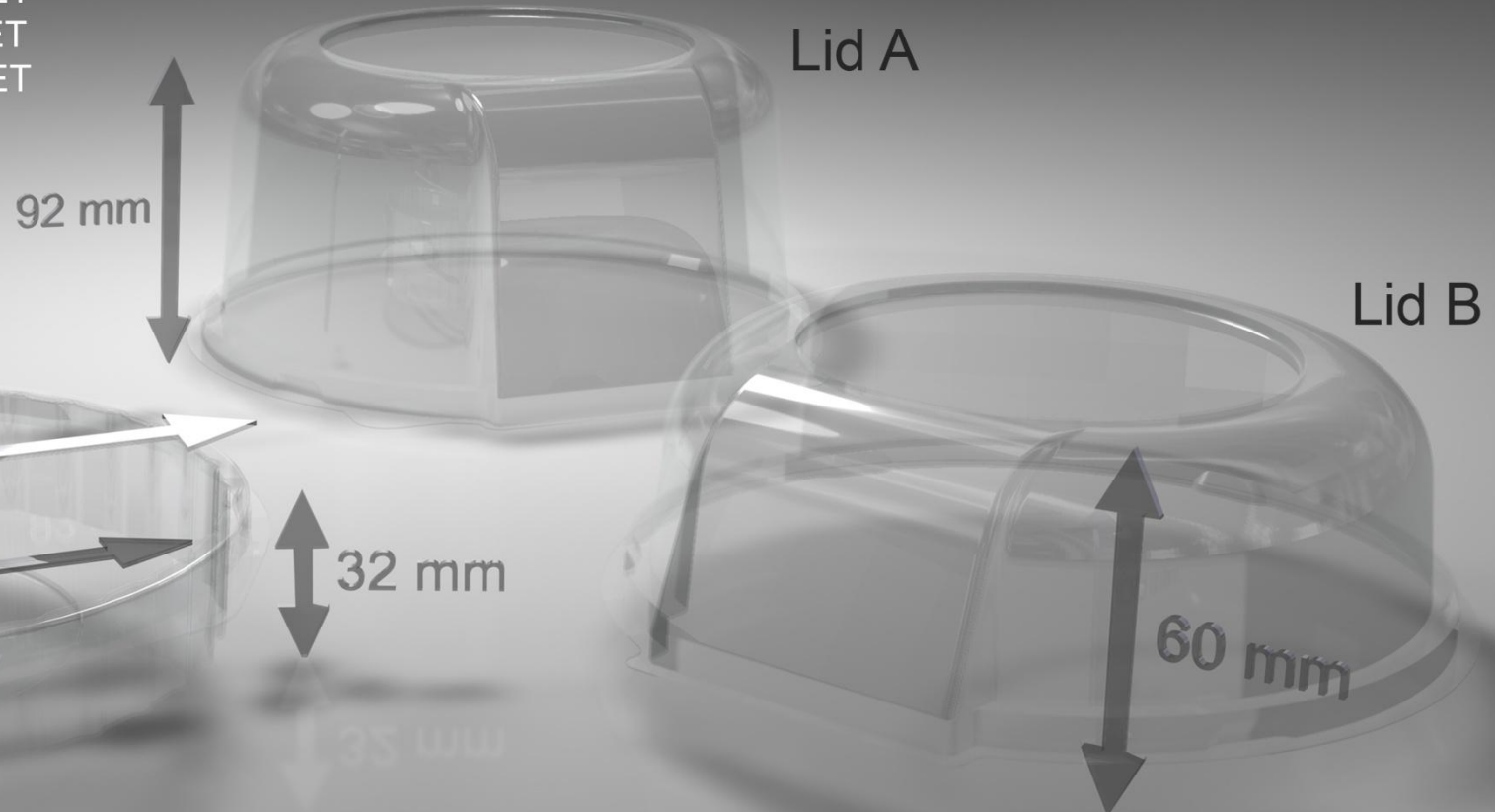
BASE CODE	3476	LID CODE A	3793A	LID CODE B	3475
Box quantity	320	Box quantity	280	Box quantity	320
Boxes per pallet	15	Boxes per pallet	15	Boxes per pallet	15
Pallet quantity	4800	Pallet quantity	4200	Pallet quantity	4800

Base and Lid A total depth 145mm

Base and Lid B total depth 85mm

Base A Material 375 micron clear APET
Lid A Material 500 micron clear APET
Lid B Material 500 micron clear APET

Minimum order quantity is 10 000
Minimum lead time is two weeks



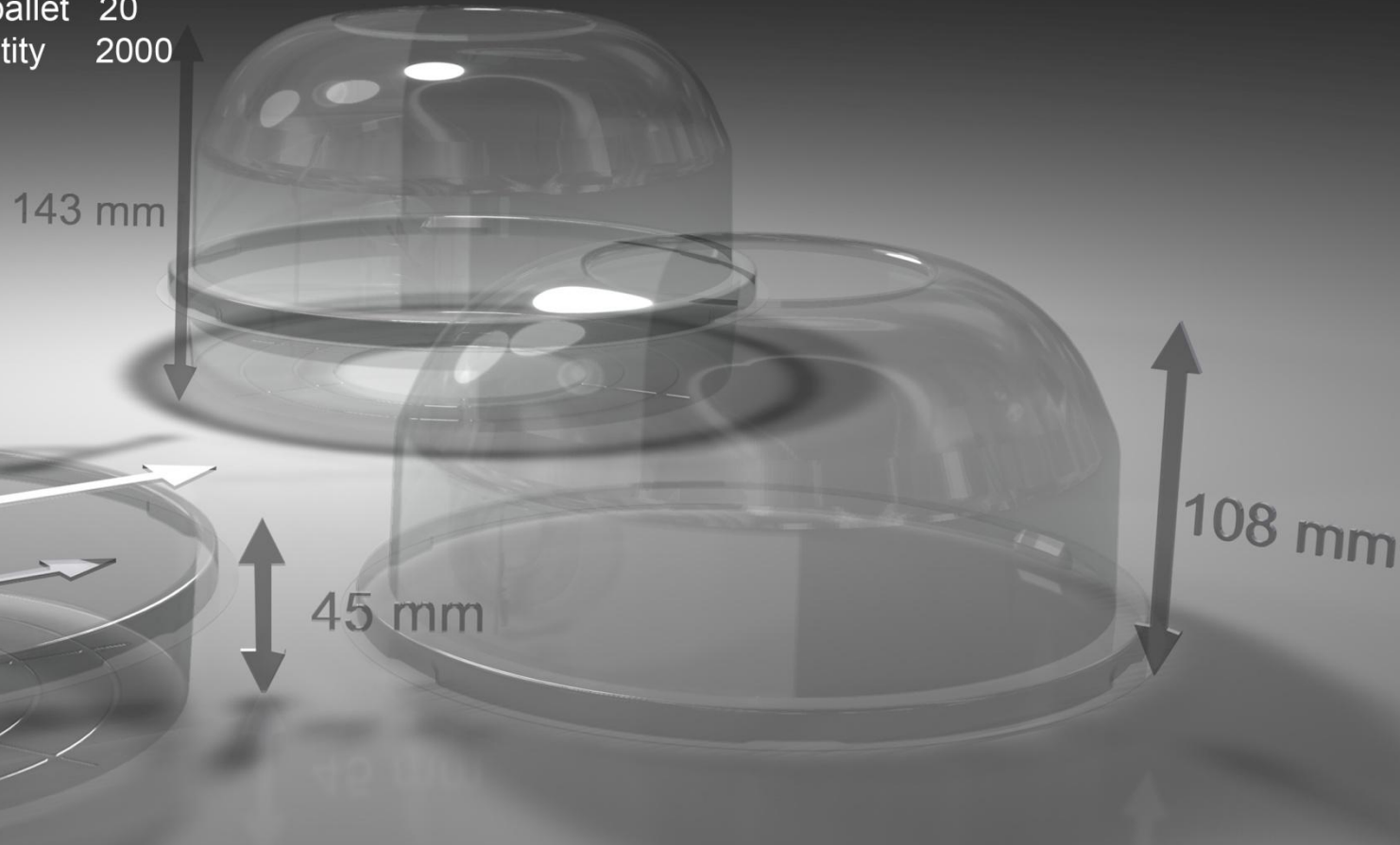
7" CAKE LID AND BASE

To suit a 8.5" inch board

BASE CODE	3529	LID CODE	3528
Box quantity	120	Box quantity	100
Boxes per pallet	20	Boxes per pallet	20
Pallet quantity	2400	Pallet quantity	2000

Base Material 500 micron clear APET
Lid Material 500 micron clear APET

Minimum order quantity is 10 000
Minimum lead time is two weeks



8" CAKE LID AND BASE

To suit a 9.5" board

BASE CODE 3306
Box quantity 100
Boxes per pallet 15
Pallet quantity 1500

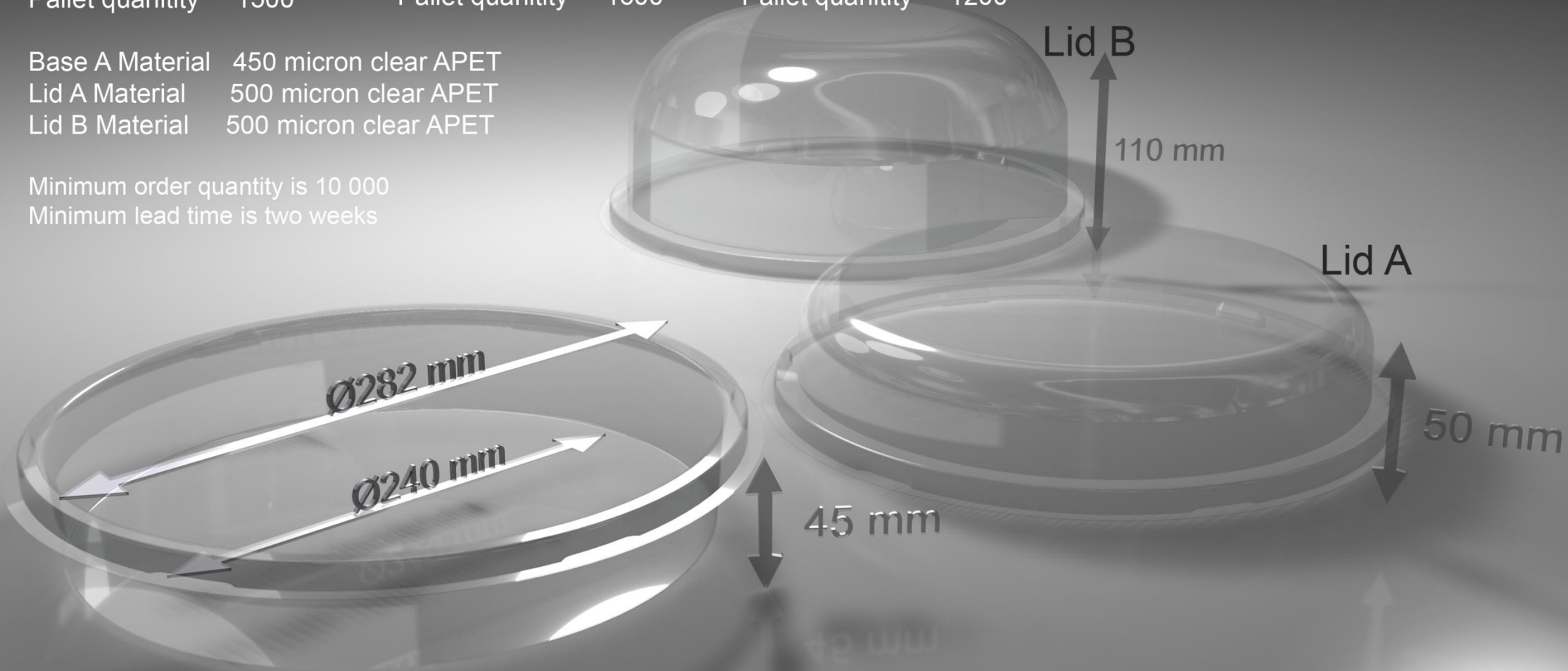
LID CODE A 3377
Box quantity 80
Boxes per pallet 20
Pallet quantity 1600

LID CODE B 3307
Box quantity 80
Boxes per pallet 15
Pallet quantity 1200

Base and Lid A total depth 145mm
Base and Lid B total depth 85mm

Base A Material 450 micron clear APET
Lid A Material 500 micron clear APET
Lid B Material 500 micron clear APET

Minimum order quantity is 10 000
Minimum lead time is two weeks



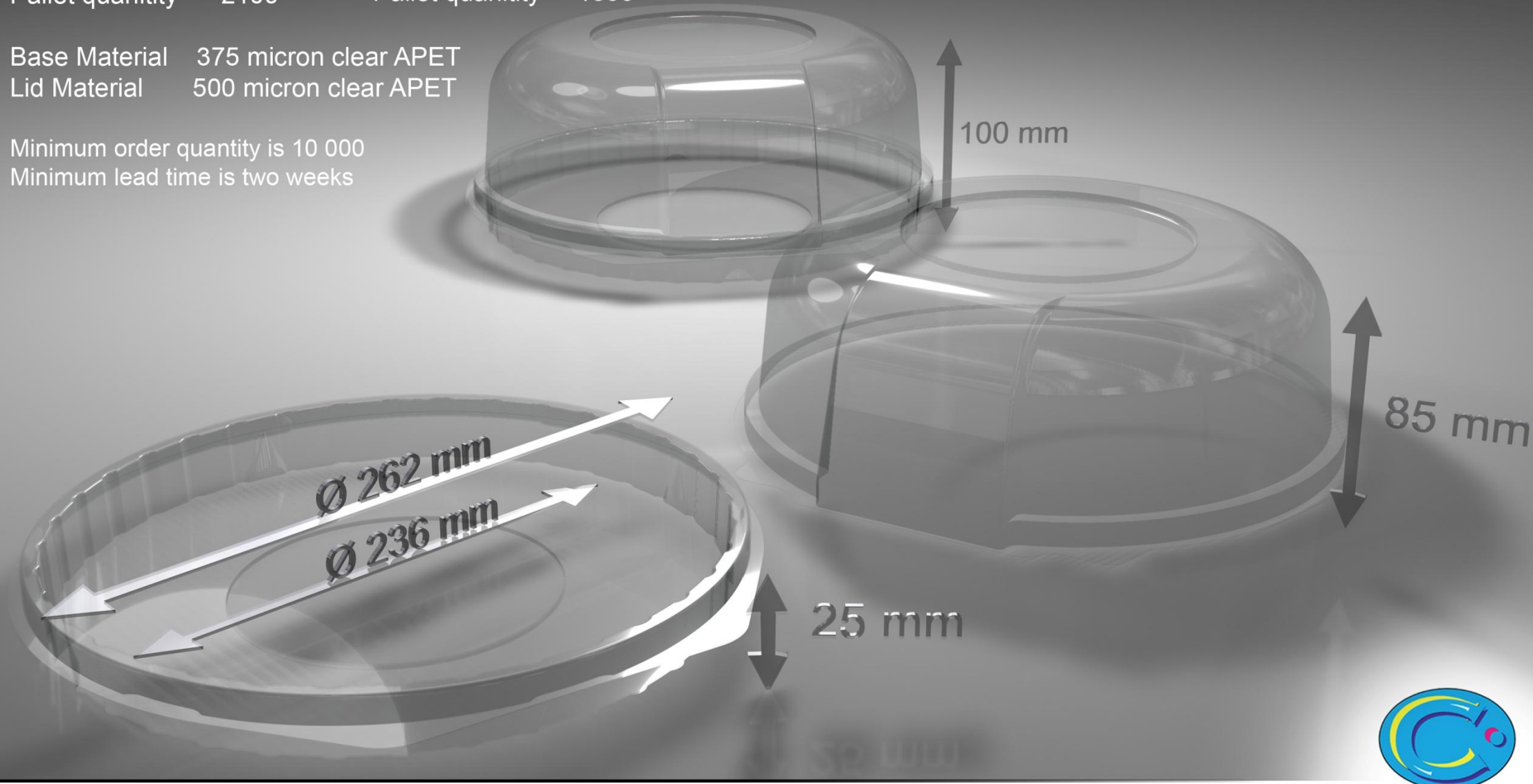
8" CAKE LID AND BASE

To suit a 9" board

BASE CODE	3474	LID CODE	3473
Box quantity	140	Box quantity	120
Boxes per pallet	15	Boxes per pallet	15
Pallet quantity	2100	Pallet quantity	1800

Base Material 375 micron clear APET
Lid Material 500 micron clear APET

Minimum order quantity is 10 000
Minimum lead time is two weeks

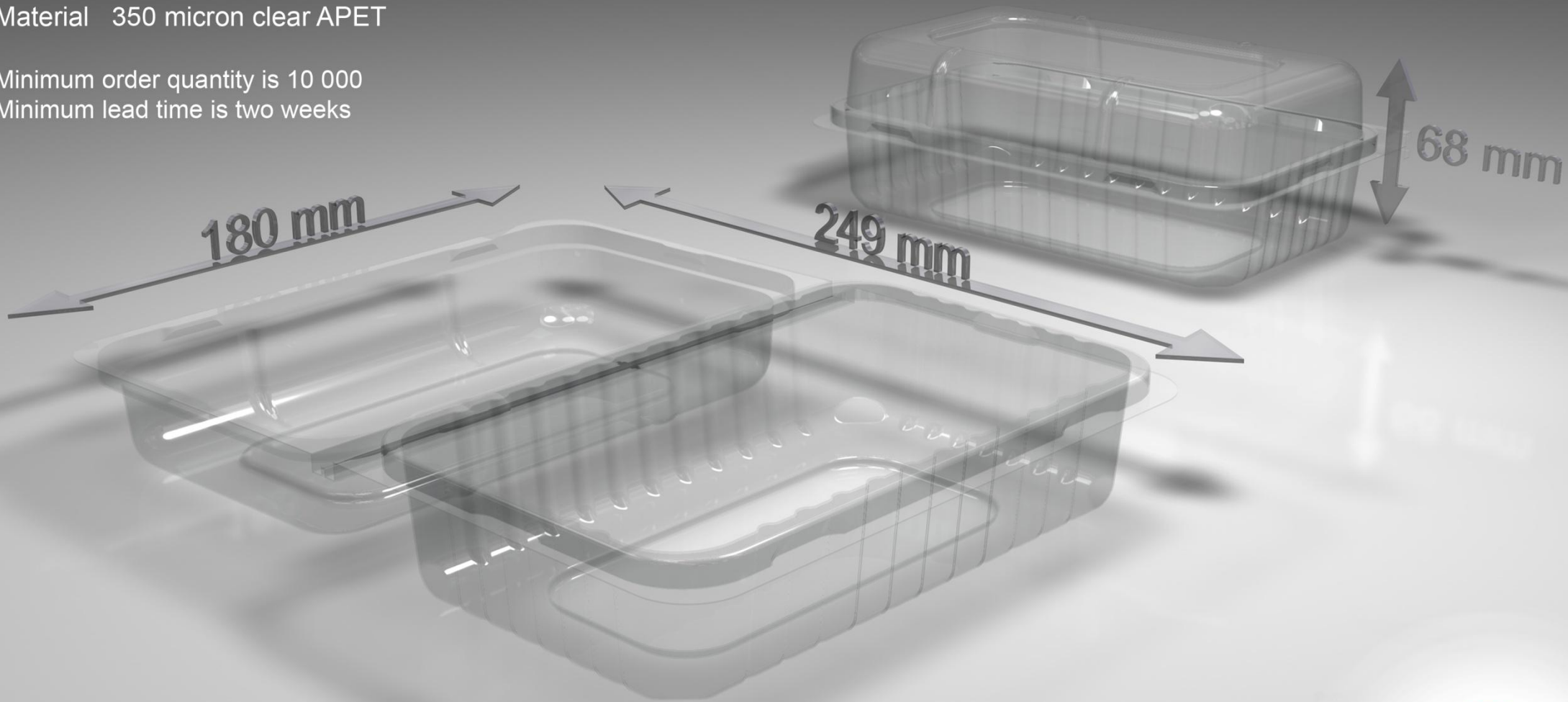


SMALL MINI BITES CLAM

CODE 3825
Box quantity 360
Boxes per pallet 20
Pallet quantity 7200

Material 350 micron clear APET

Minimum order quantity is 10 000
Minimum lead time is two weeks

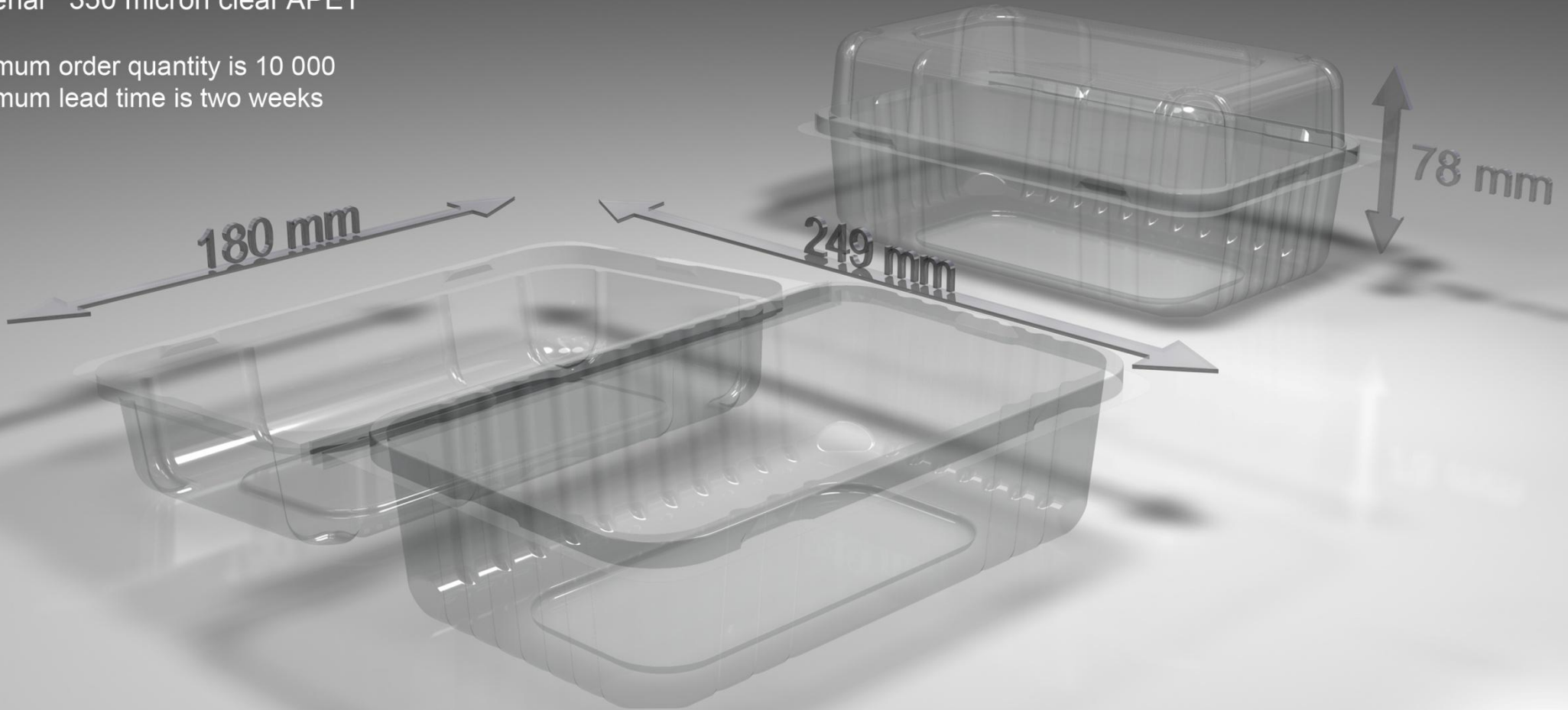


MEDIUM MINI BITES CLAM

CODE 3959
Box quantity 360
Boxes per pallet 20
Pallet quantity 7200

Material 350 micron clear APET

Minimum order quantity is 10 000
Minimum lead time is two weeks

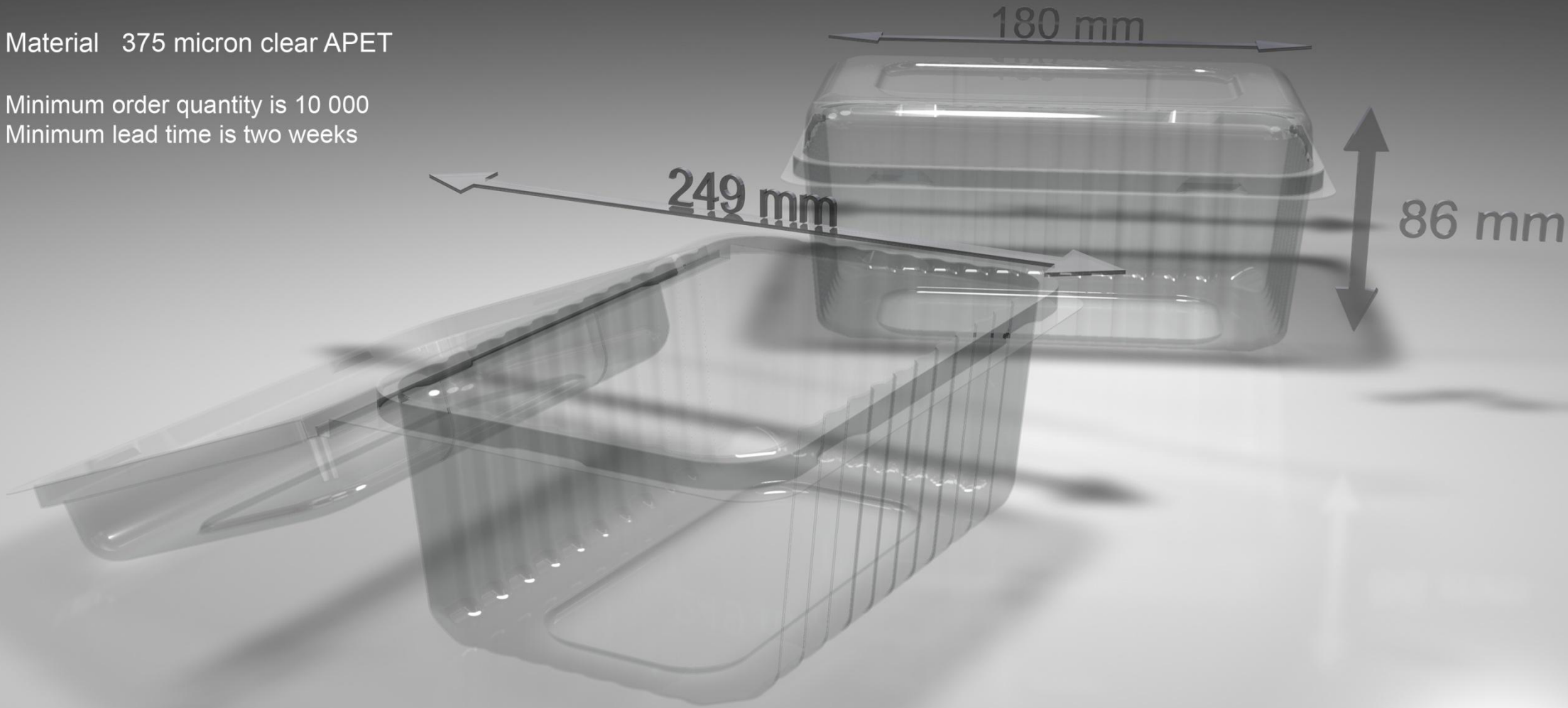


LARGE MINI BITES CLAM

CODE 3965
Box quantity 360
Boxes per pallet 20
Pallet quantity 7200

Material 375 micron clear APET

Minimum order quantity is 10 000
Minimum lead time is two weeks

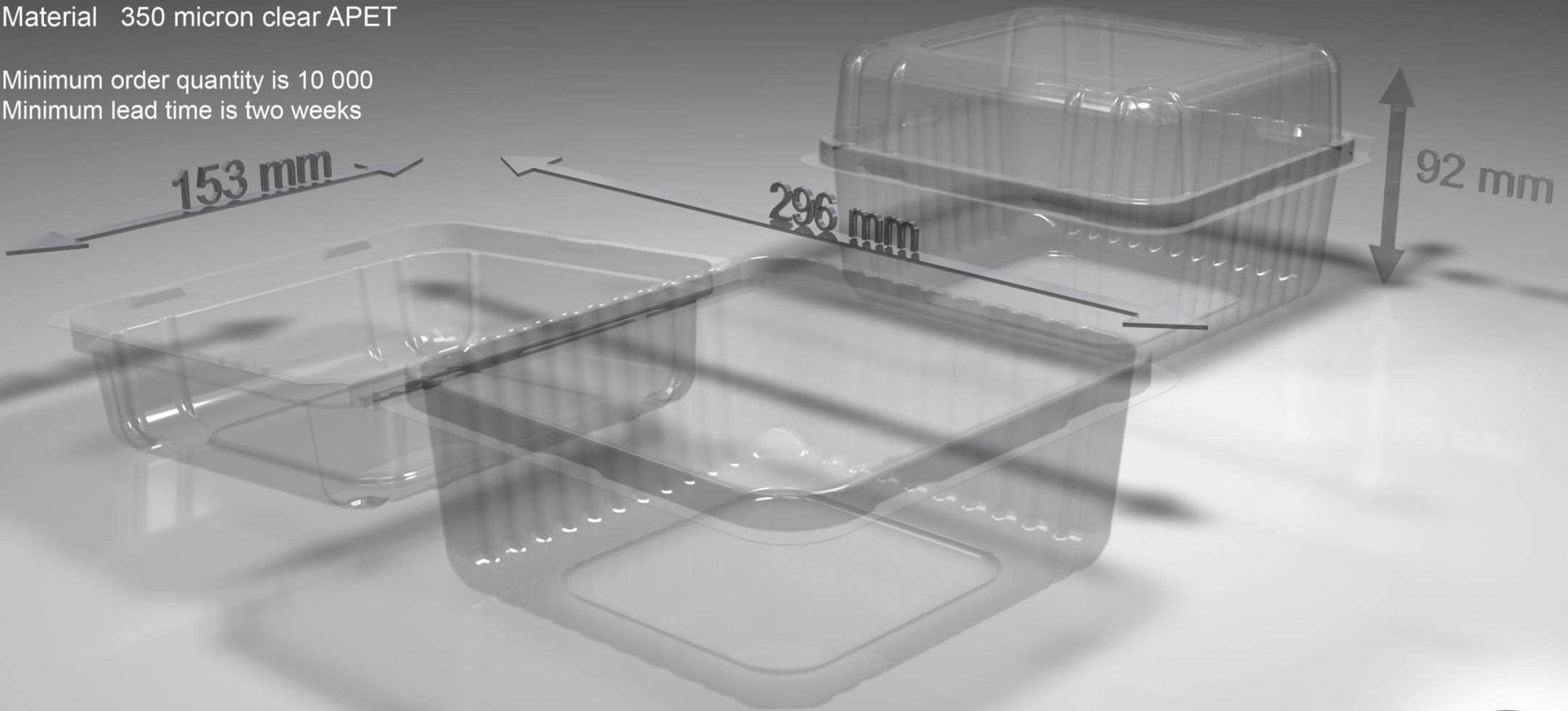


SQUARE MINI BITES CLAM

CODE 3983
Box quantity 245
Boxes per pallet 20
Pallet quantity 4900

Material 350 micron clear APET

Minimum order quantity is 10 000
Minimum lead time is two weeks

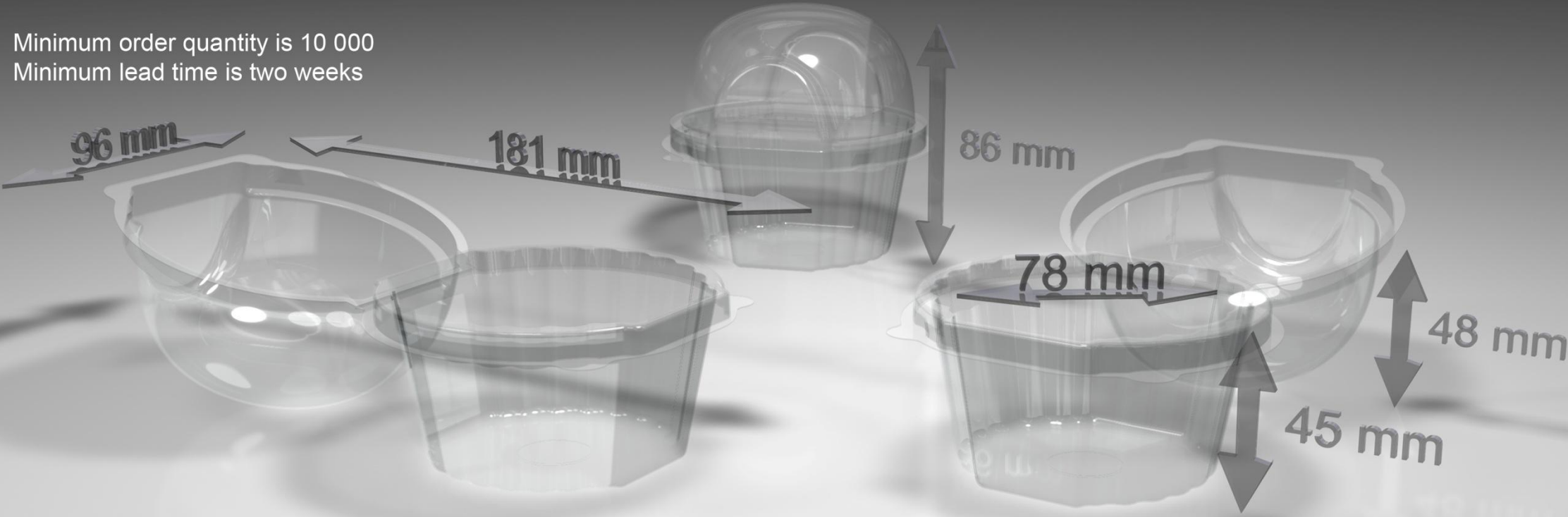


SINGLE MUFFIN CLAM

CODE 4006
Box quantity 750
Boxes per pallet 20
Pallet quantity 15000

Material 375 micron clear APET

Minimum order quantity is 10 000
Minimum lead time is two weeks

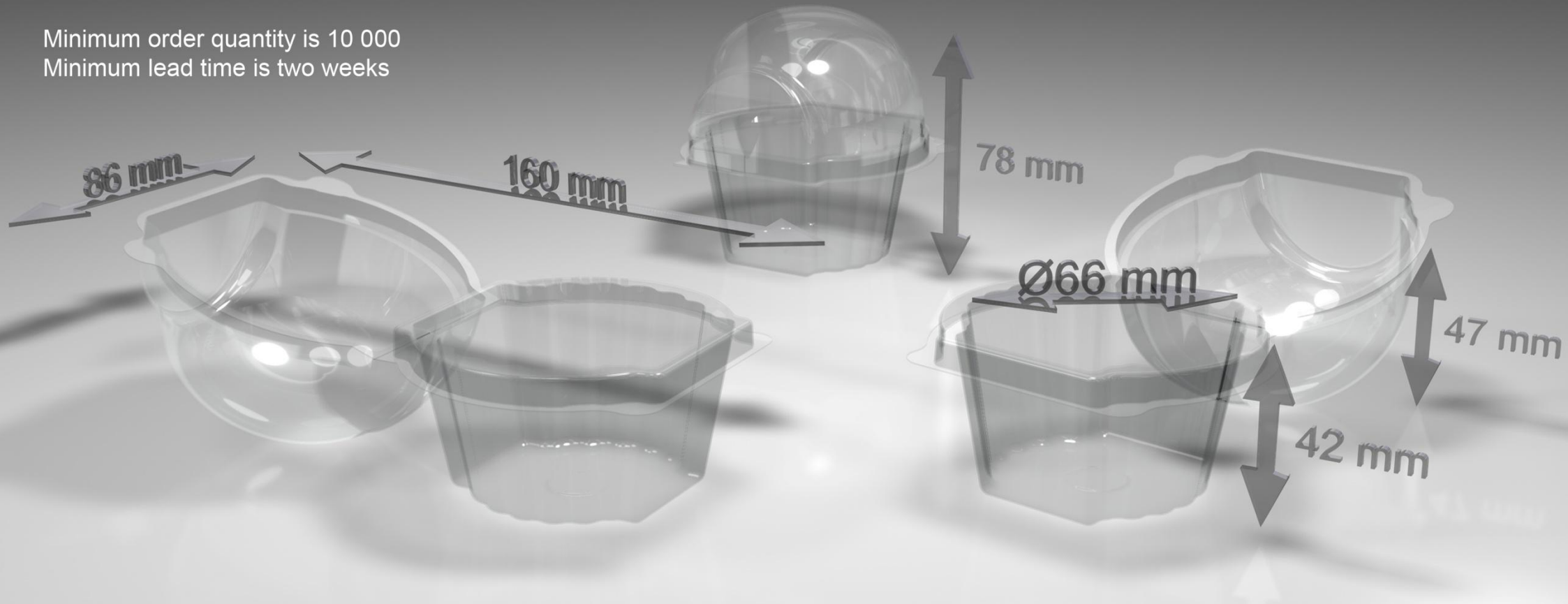


SINGLE CUPCAKE CLAM

CODE 3963
Box quantity 1050
Boxes per pallet 20
Pallet quantity 21000

Material 375 micron clear APET

Minimum order quantity is 10 000
Minimum lead time is two weeks



15 CAKE PLATTER LID AND BASE

BASE CODE 3711
 Box quantity 220
 Boxes per pallet 20
 Pallet quantity 4400

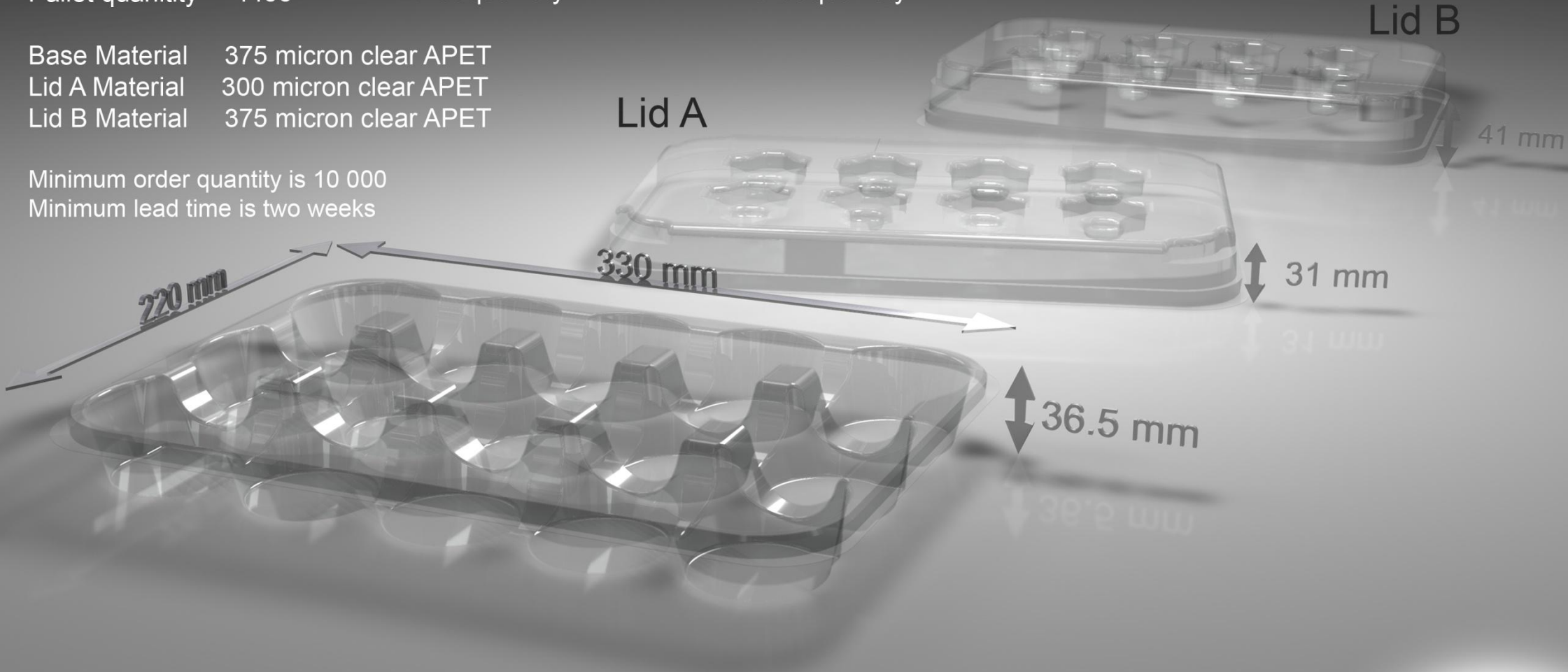
LID CODE A 3712
 Box quantity 180
 Boxes per pallet 20
 Pallet quantity 3600

LID CODE B 3779
 Box quantity 160
 Boxes per pallet 20
 Pallet quantity 3200

Base and Lid A total depth 59.5mm
 Base and Lid B total depth 69.5mm

Base Material 375 micron clear APET
 Lid A Material 300 micron clear APET
 Lid B Material 375 micron clear APET

Minimum order quantity is 10 000
 Minimum lead time is two weeks

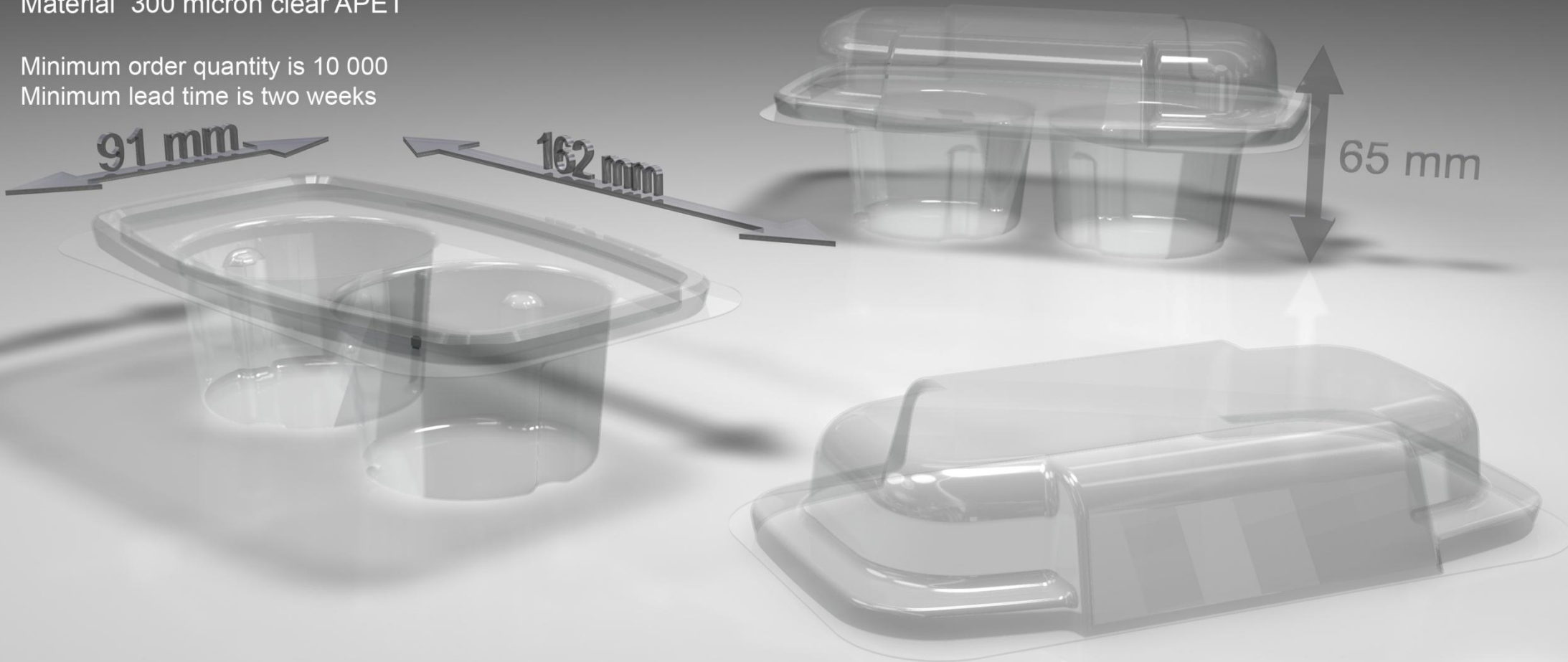


2 PACK CUPCAKE LID AND BASE

LID CODE	3539A	BASE CODE	3539B
Box quantity	1260	Box quantity	1260
Boxes per pallet	20	Boxes per pallet	20
Pallet quantity	25200	Pallet quantity	25200

Material 300 micron clear APET

Minimum order quantity is 10 000
Minimum lead time is two weeks



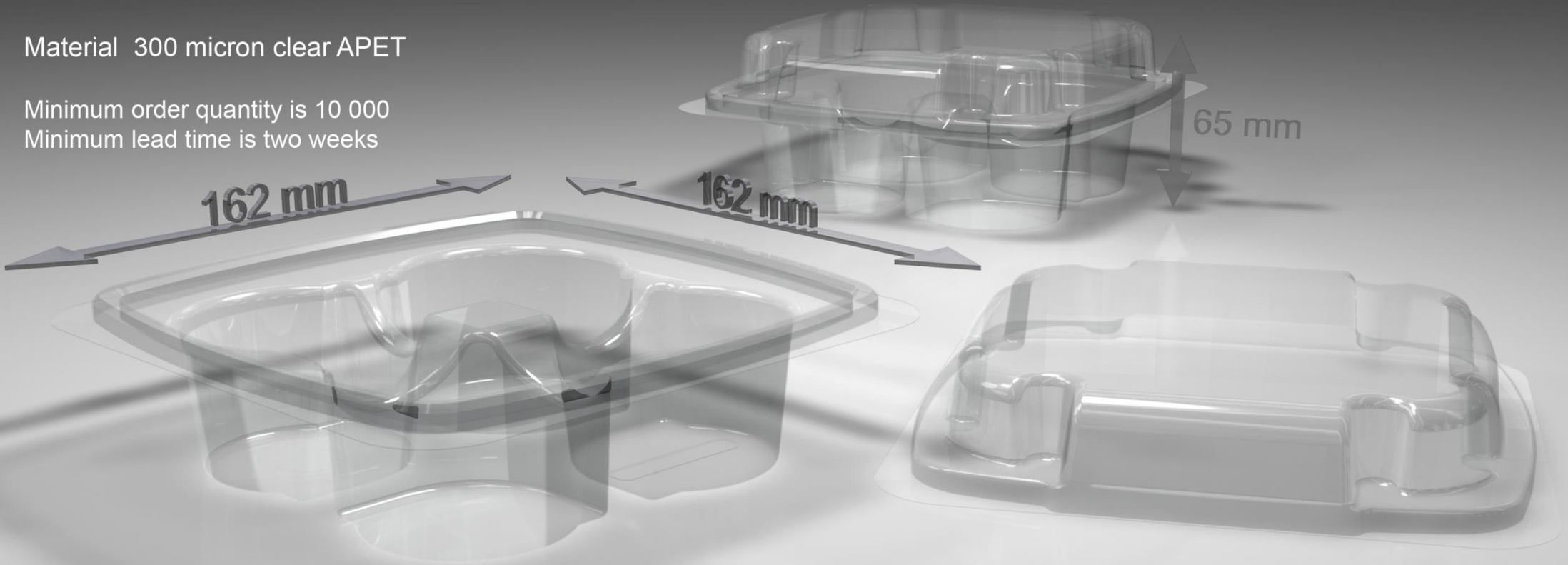
4 PACK CUPCAKE LID AND BASE

LID CODE 3368B
Box quantity 810
Boxes per pallet 20
Pallet quantity 16200

BASE CODE 3368
Box quantity 765
Boxes per pallet 20
Pallet quantity 15300

Material 300 micron clear APET

Minimum order quantity is 10 000
Minimum lead time is two weeks

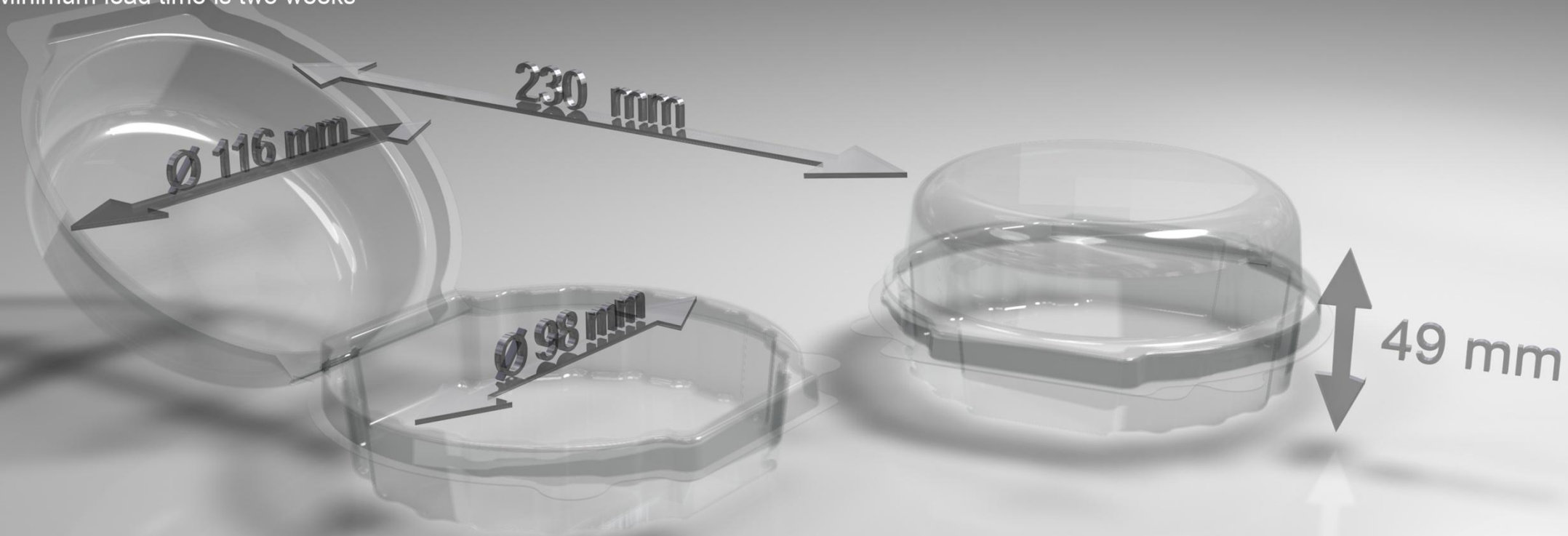


Single Whoopie Clam

CODE 4051
Box quantity 550
Boxes per pallet 20
Pallet quantity 11000

Material 300 micron clear APET

Minimum order quantity is 10 000
Minimum lead time is two weeks

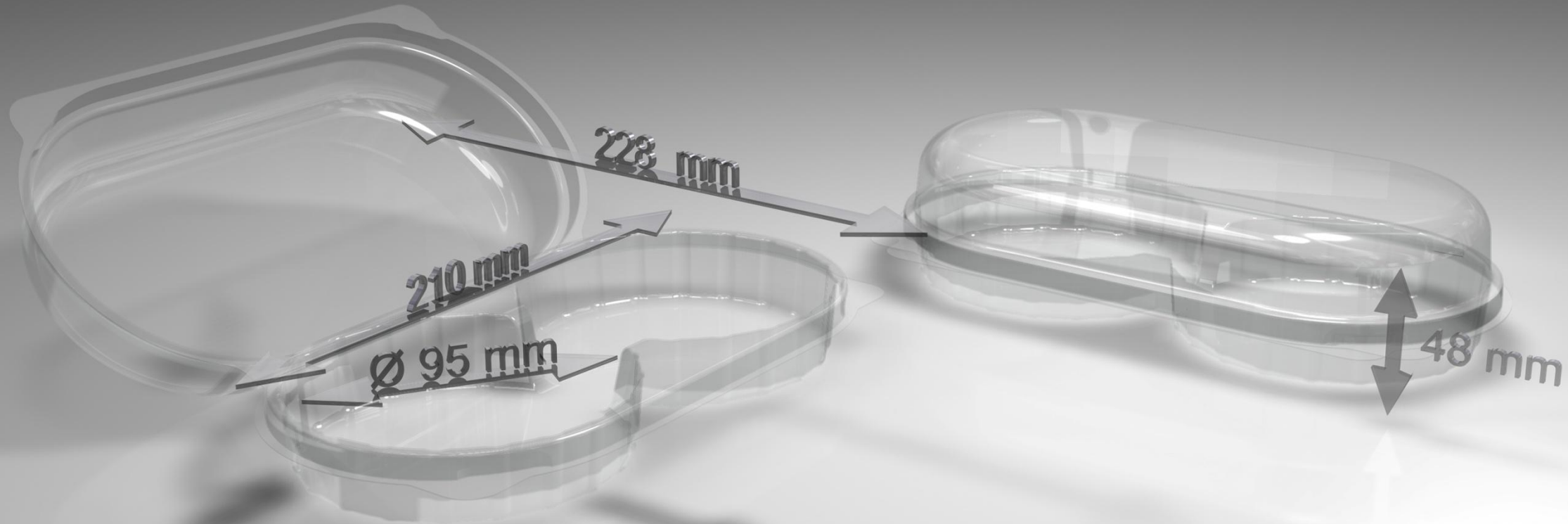


Double Whoopie Clam

CODE 4059
Box quantity 280
Boxes per pallet 20
Pallet quantity 5600

Material 300 micron clear APET

Minimum order quantity is 10 000
Minimum lead time is two weeks

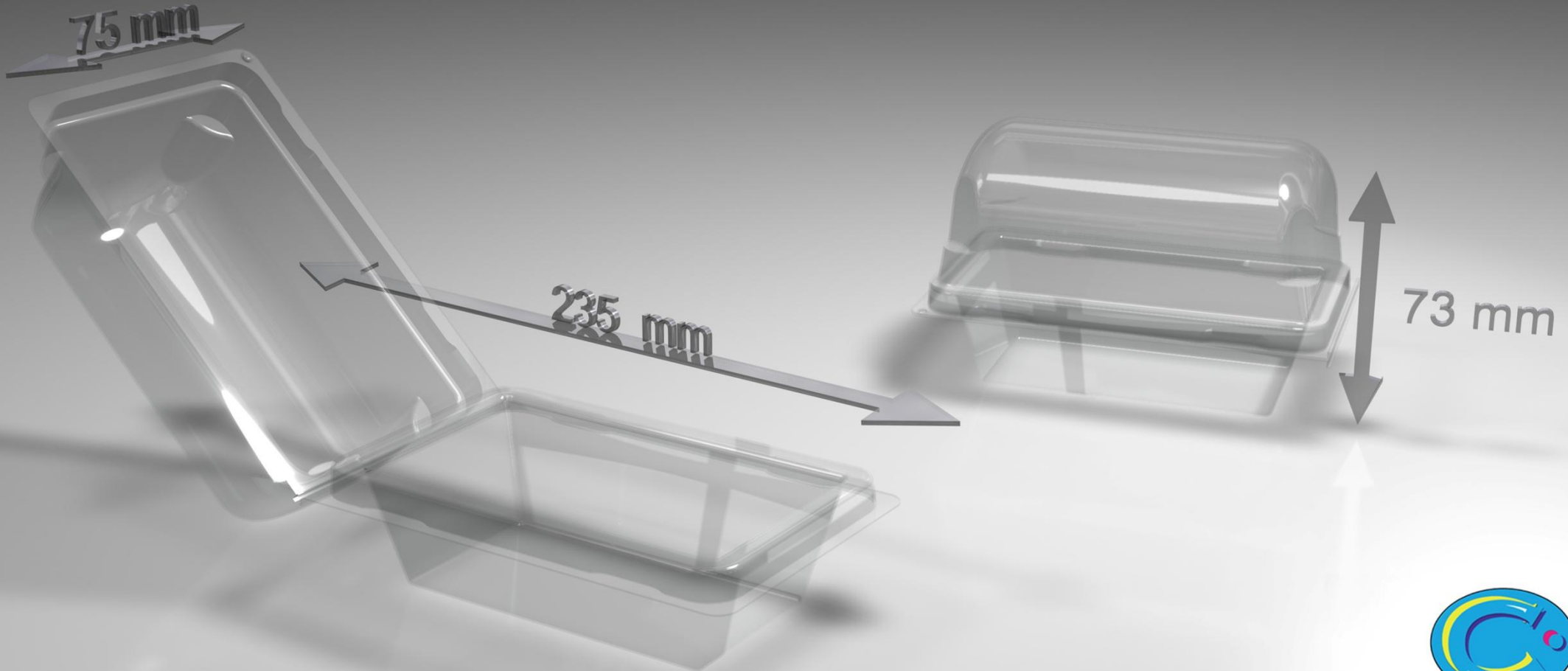


Single Loaf Clam

CODE 4048
Box quantity 1160
Boxes per pallet 20
Pallet quantity 23200

Material 300 micron clear APET

Minimum order quantity is 10 000
Minimum lead time is two weeks

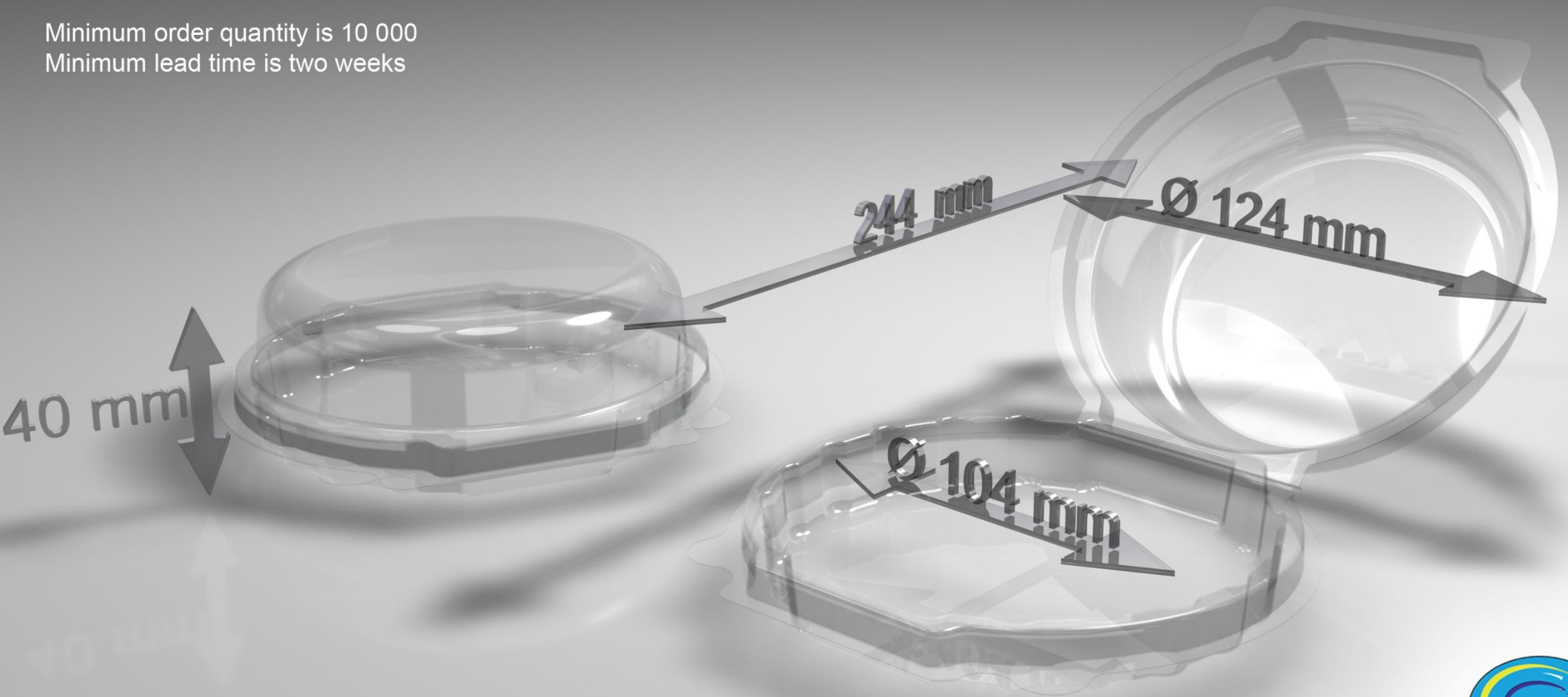


Single Doughnut Clam

CODE 4050
Box quantity 552
Boxes per pallet 20
Pallet quantity 11040

Material 300 micron clear APET

Minimum order quantity is 10 000
Minimum lead time is two weeks

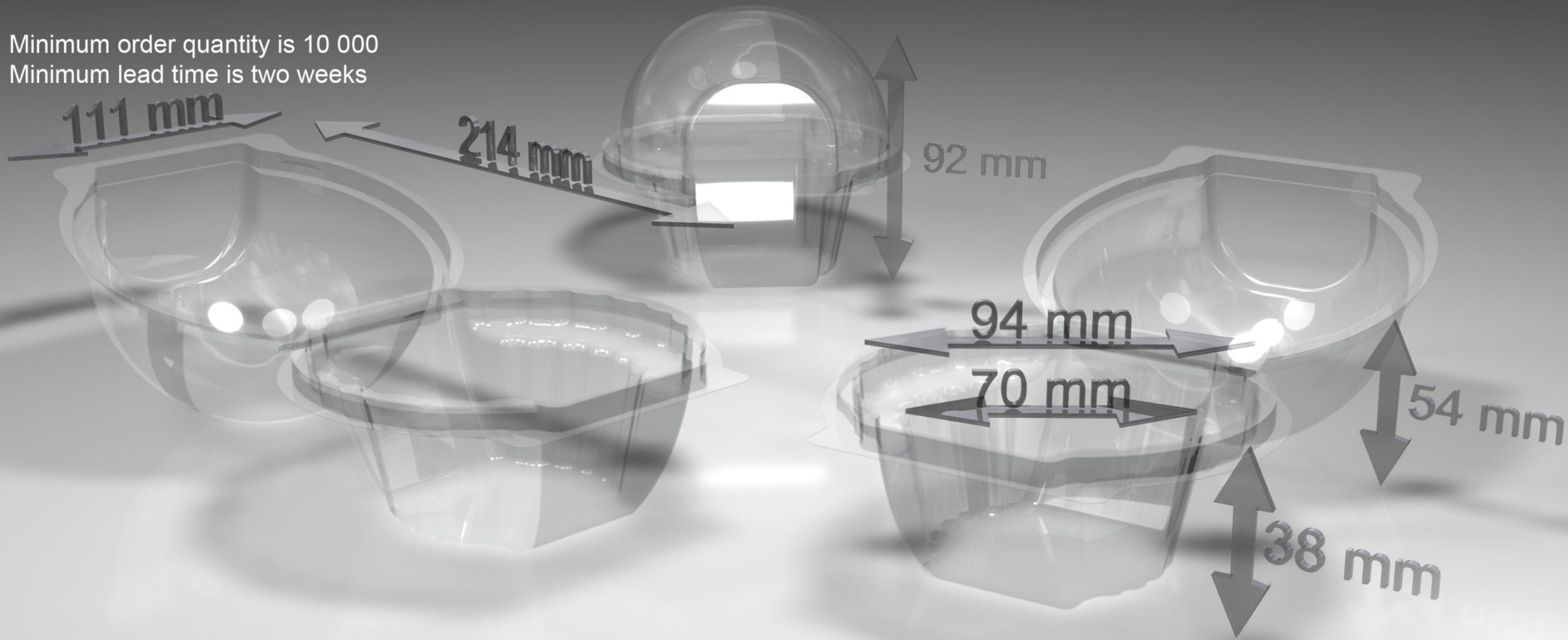


Large Single Muffin

CODE 4047
Box quantity 480
Boxes per pallet 20
Pallet quantity 9600

Material 350 micron clear APET

Minimum order quantity is 10 000
Minimum lead time is two weeks

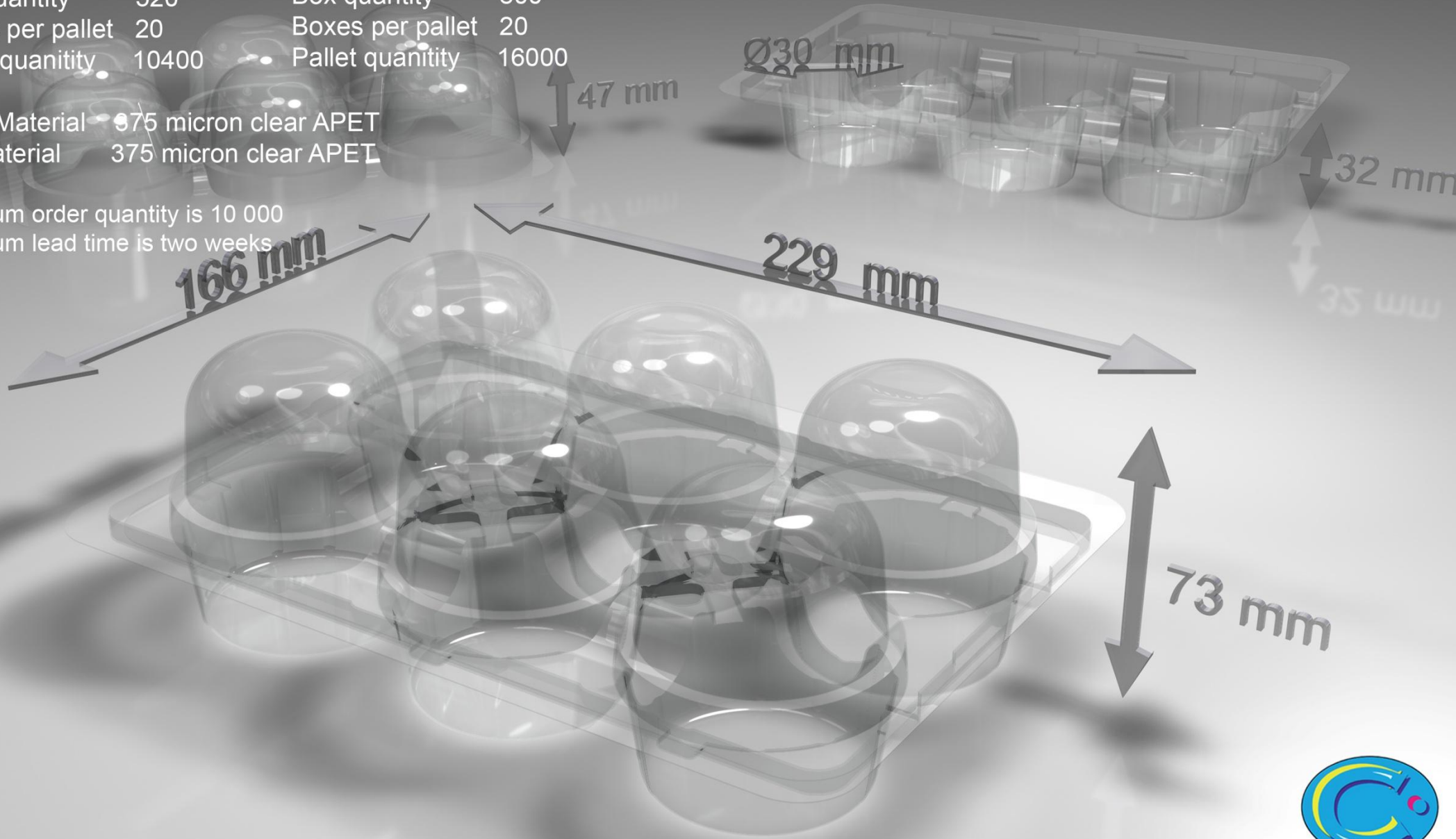


6 Pack Cup Cake Lid and Base

BASE CODE	5223	LID CODE	5440
Box quantity	520	Box quantity	800
Boxes per pallet	20	Boxes per pallet	20
Pallet quantity	10400	Pallet quantity	16000

Base Material 375 micron clear APET
Lid Material 375 micron clear APET

Minimum order quantity is 10 000
Minimum lead time is two weeks



6" Clip Cake Lid and Base

BASE CODE	4076	LID CODE	4075
Box quantity	200	Box quantity	200
Boxes per pallet	20	Boxes per pallet	20
Pallet quantity	4000	Pallet quantity	4000

Base Material 355 micron clear APET
Lid Material 375 micron clear APET

Minimum order quantity is 10 000
Minimum lead time is two weeks

