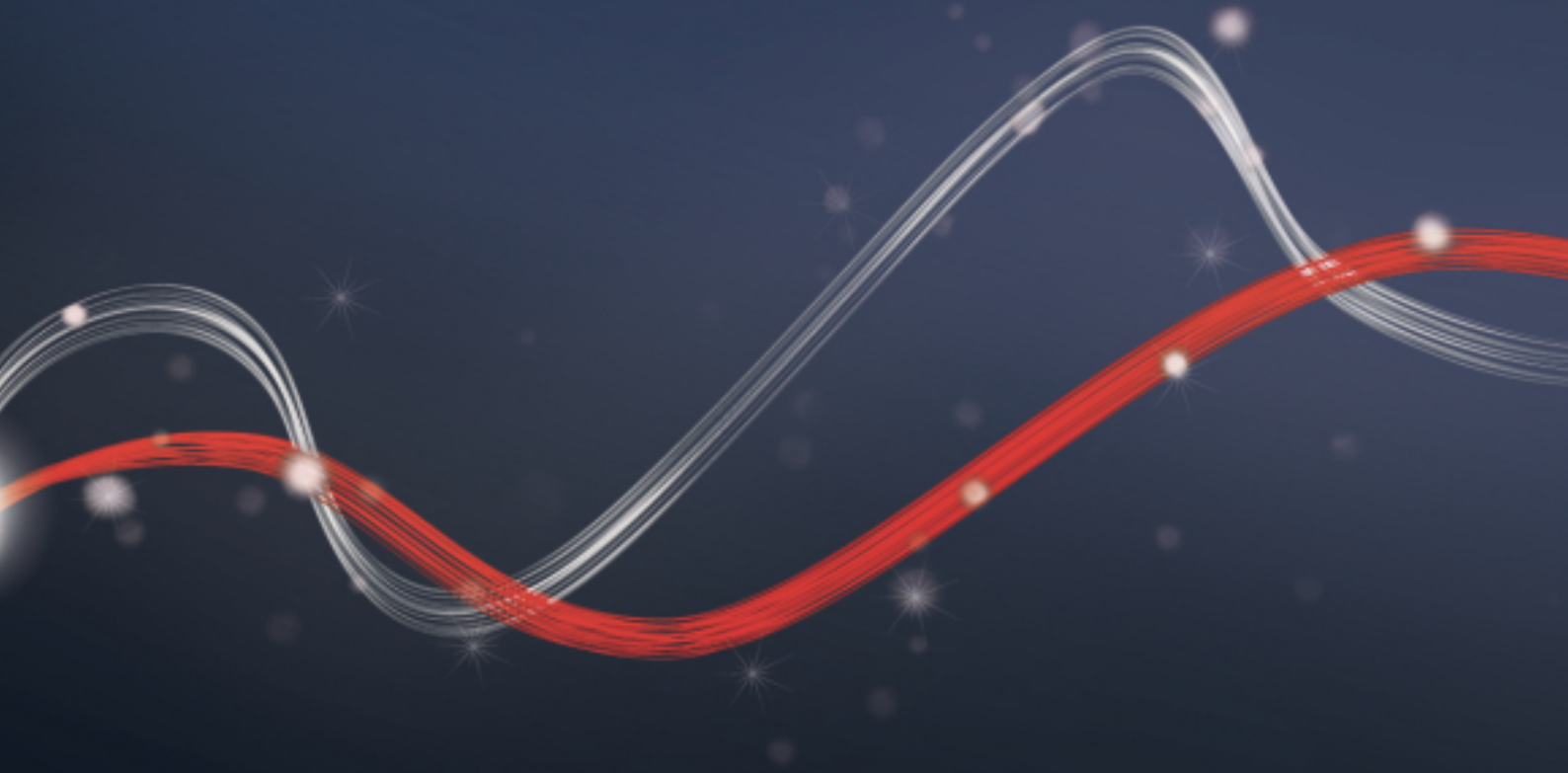




Be ahead



XPASS B



• Product

• TECHNICAL FEATURES

• ACCESSORIES

• DISCOVER U-LINK

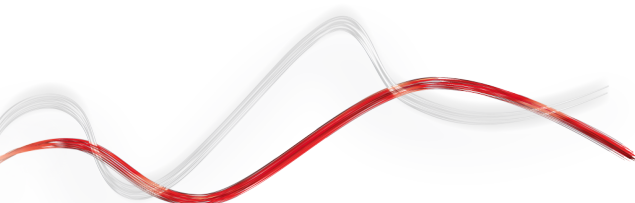


Antiterrorism bollards tested and certified (crash-tested) by an independent body according to standards IWA14-1:2013 V/7200(N3C)/80/90 and PAS 68:2010 7500/50/N2 crash simulated (formerly K12 and K4, single bollard).

Independent side hydraulic pump for each bollard: in case of a control unit failure the other bollards remain functional, whereas maintenance operations are facilitated.

XPASS B | |

Code	Name	Description
P970094 00001	XPASS B 275/800C L	ANTI-TERRORIST HYDRAULIC BOLLARD K4 230 V. . 800 mm with LED light cap and . The shaft lowers automatically in case of a power failure. . Anti-terrorism hydraulic bollard K4 230 V. Shaft height 800 mm, diameter 275 and LED light cap. The shaft lowers automatically in case of a power failure. Version in RAL 7015 painted steel.
P970094 00002	XPASS B 275/800C LI	ANTI-TERRORIST HYDRAULIC BOLLARD K4 230 V. . 800 mm with LED light cap and . The shaft lowers automatically in case of a power failure. . Anti-terrorism hydraulic bollard K4 230 V. Shaft height 800 mm, diameter 275 and LED light cap. The shaft lowers automatically in case of a power failure. Stainless steel version.
P970094 00003	XPASS B 275/800C L SD	ANTI-TERRORIST HYDRAULIC BOLLARD K4 230 V. . 800 mm with LED light cap and . The shaft stays raised in case of a power failure. . Anti-terrorism hydraulic bollard K4 230 V. Shaft height 800 mm, diameter 275 and LED light cap. The shaft keeps the access point closed in case of a power failure. Version in RAL 7015 painted steel.
P970094 00004	XPASS B 275/800C LI SD	ANTI-TERRORIST HYDRAULIC BOLLARD K4 230 V. . 800 mm with LED light cap and . The shaft stays raised in case of a power failure. . Anti-terrorism hydraulic bollard K4 230 V. Shaft height 800 mm, diameter 275 and LED light cap. The shaft keeps the access point closed in case of a power failure. Stainless steel version.





XPASS B



• Product

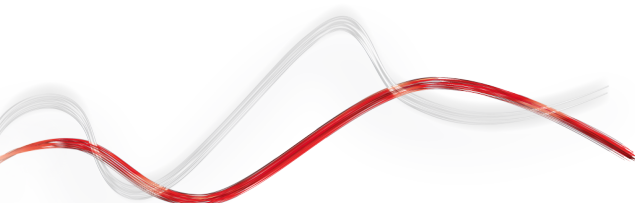
• TECHNICAL FEATURES

• ACCESSORIES

• DISCOVER U-LINK

XPASS B | |

Code	Name	Description
------	------	-------------

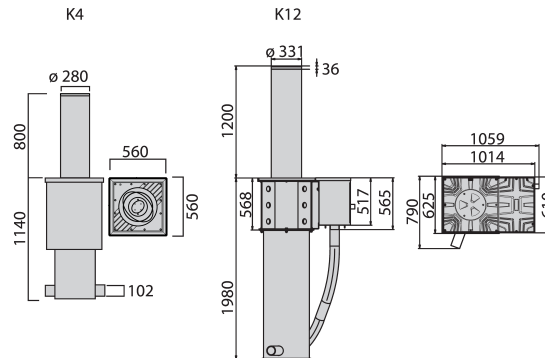


· Product

· TECHNICAL FEATURES

· ACCESSORIES

· DISCOVER U-LINK



	XPASS B 275/800C L	XPASS B 275/800C LI	XPASS B 275/800C L SD	XPASS B 275/800C LI SD	XPASS B 330/1200 BODY L	XPASS B 330/1200 BODY LI	XPASS B 330/1200 HYDR. UNIT	XPASS B 330/1200 HYDR. UNIT + EFO
Voltage	230 V							
Rod height	800 mm				1200 mm			
Rod thickness	10 mm				25 mm			
Rod diameter	275				330			
Raise time	7 max sec.				5 max sec.		5 max (1.5 for emergency) sec.	
Lower time	4 sec.							
Rod treatment	ral 7015 painted steel and reflective film h: 100 mm	aisi304 or aisi316	ral 7015 painted steel and reflective film h: 100 mm	aisi304 or aisi316 stainless steel	ral 7015 painted steel and reflective film h: 100 mm	aisi304 or aisi316	ral 7015 painted steel and reflective film h: 100 mm	aisi304 or aisi316
Operator type	hydraulic bollards							
Control unit	PERSEO CBD 230.P SD or PERSEO CBE 230.P SD				PERSEO CBE 230.P SD			
Break-in proof	667000 J				2100000 J			
Frequency of use	2000 Op/gg							
Antiterrorism: reference standard	pas 68:2010 7500/50/n2				iwa14-1:2013 v/7200(n3c)/80/90 single bollard installation			
Type of limit switch	reed magnetic sensor							
Manual cycle	reversible in the absence of voltage			reversible by means of mechanical key with no power				
Environmental conditions	from -40 °C to 60 °C							
Protection rating	IP67							

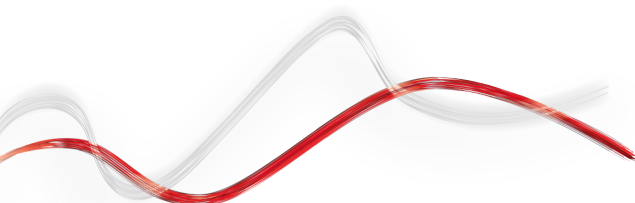
· Product

· TECHNICAL FEATURES

· ACCESSORIES

· DISCOVER U-LINK

	Code	Name	Description
	D113812 00002	PERSEO CBE 230.P SD	Control unit with U-Link, receiver and incorporated heating circuit (to -40°C) for electro-mechanical and hydraulic bollards. Can manage up to 4 bollards at the same time (or up to 2 Xpass 1200)
	P111001 00003	RME 2	230Vac dual channel metal object detector Supplied with RME 2 installation base
	D110926 00001	SPIRA 2X1	Magnetic loop 2 x 1 m
	P800037	TBA	Bottom element for TBA totem. Top covering not included.
	P800039	TL	Traffic lights and top covering for totem
	P800038	TSU	Top element for TSU totem. Top covering not included.
	P800040	TPF	Foundation and anchor plate for TPF totem
	P800103	XPASS 800 ALARM	-
	D113705	ACOUSTIC DETECTOR	Adjustable acoustic detector for sirens ACOUSTIC DETECTOR



· Product

· TECHNICAL FEATURES

· ACCESSORIES

· DISCOVER U-LINK

What is U-Link?

The innovative technology that gives you new power

An exclusive Bft innovation: U-Link (Universal Link) is an exclusive Bft platform that allows the creation of technological ecosystems. In Home Automation Access, it allows communication with all the home access automation devices of any brand. So you save time and can control everything with ease, without any worries.

It is intuitive

Easy to install and use

It is scalable

Allows an unlimited number of devices to be added

It is flexible

Allows the creation of groups of interconnected products

It is practical

Works with or without a web connection

It is functional

Parameters can be controlled remotely via dedicated applications

· Product

· TECHNICAL FEATURES

· ACCESSORIES

· DISCOVER U-LINK

All in one scheme: discover this amazing technology

A unique platform **allowing the creation of technological ecosystems** offering a wide range of solutions for different sectors.

Thanks to the B-Eba cards and the Clonix U-Link receiver, this proprietary platform featured by Bft products adapts to any protocol and access automation product (even BFT, non-native U-Link or non-BFT products), and is used in various sectors. Each device thus becomes smart and can be interconnected with other systems, thanks to a language that becomes universal.

U-Base 2



Software to install and easily and comfortably carry out maintenance and identify any malfunction of U-link compatible operators.

U-SDK



U-SDK is the innovative application that can make Bft automation systems compatible and easily integrated with a BMS network for the supervision of buildings.



Magistro

An innovative and easy to install system for easily managing all home automation systems.



U-Control

U-Control is the application that helps the quick and easy integration of BFT automation systems in large building management systems.



Blue-Entry

Technology abreast of the times and attentive to daily needs: thanks to the use of U-link the house gate can now be opened with just your smartphone.



Clonix U-Link

Allows the connection of non-native U-Link products or non-Bft products to U-Link systems.

Bft operators, non-native U-Link products or a product belonging to other brands: can they be connected to U-Link? Yes, thanks to the Clonix receivers. Accessories that know no limits.

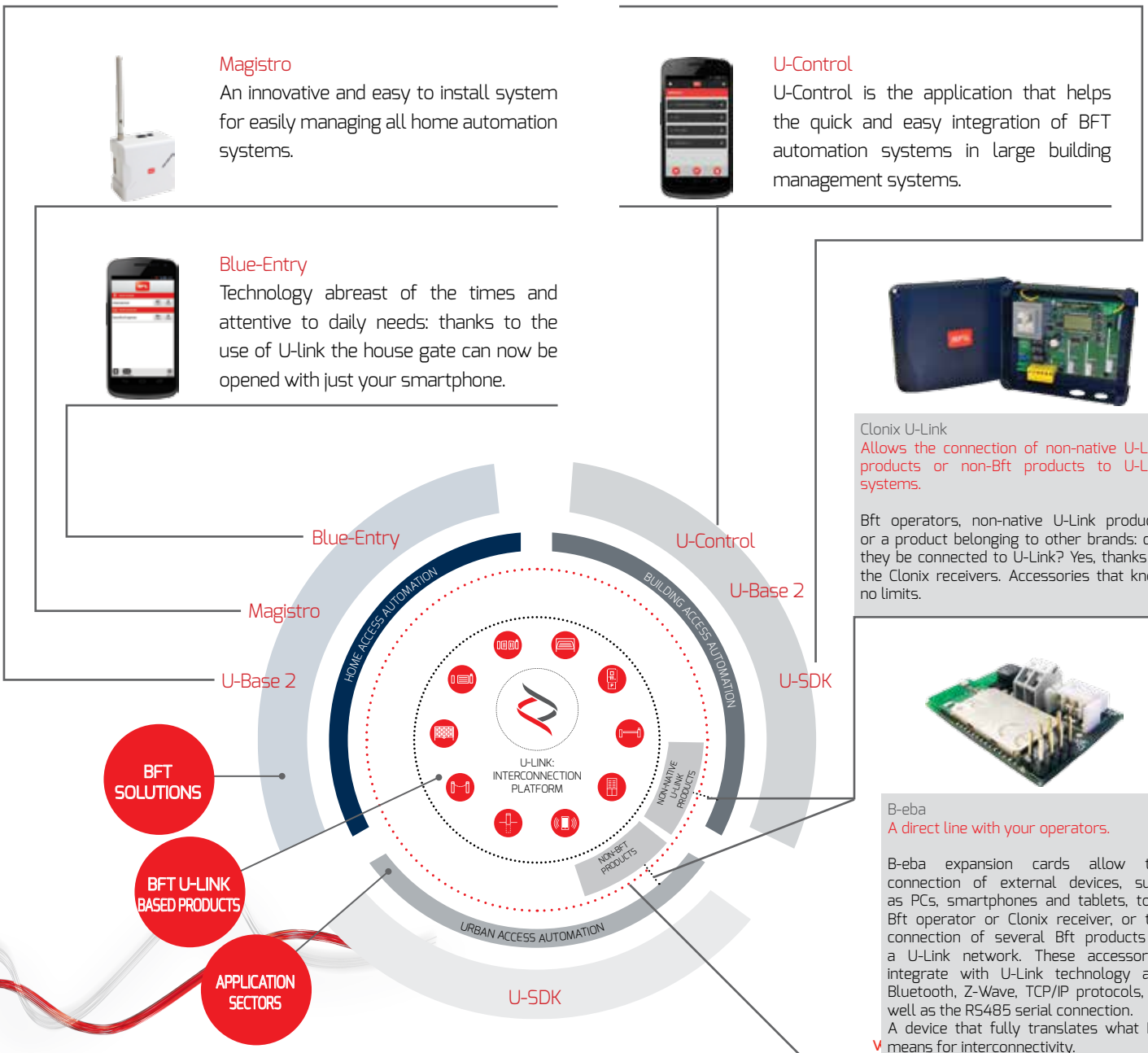


B-eba

A direct line with your operators.

B-eba expansion cards allow the connection of external devices, such as PCs, smartphones and tablets, to a Bft operator or Clonix receiver, or the connection of several Bft products in a U-Link network. These accessories integrate with U-Link technology and Bluetooth, Z-Wave, TCP/IP protocols, as well as the RS485 serial connection.

A device that fully translates what Bft means for interconnectivity.





INFORMATION REGARDING THE PROTECTION OF THE INDUSTRIAL AND INTELLECTUAL PROPERTY RIGHTS OF BFT. BFT S.p.A. protects its industrial property by depositing trademarks, patents, models and designs. The intellectual property of BFT S.p.A. is protected by copyright law. BFT S.p.A. also protects its know-how by taking measures to protect the technical and commercial information inherent in its company and products. All the products in this catalogue are ORIGINAL BFT MODELS and only BFT S.p.A is authorised to produce them and market them anywhere in the world. All the commercial names in this catalogue are owned by BFT S.p.A., and only BFT S.p.A. is authorised to use them in relation to the corresponding merchandise category. FALSIFIERS WILL BE PROCEEDED AGAINST IN ACCORDANCE WITH BOTH CIVIL AND CRIMINAL LAW. THESE CONDITIONS NOT ONLY GUARANTEE THE INTELLECTUAL PROPERTY RIGHTS OF BFT, BUT ALSO PROTECT CUSTOMERS BY GUARANTEEING THAT THE PRODUCTS THEY ARE PURCHASING ARE ORIGINAL BFT PRODUCTS RESULTING FROM STUDIES AND DESIGNS WITHIN THE BFT COMPANY.