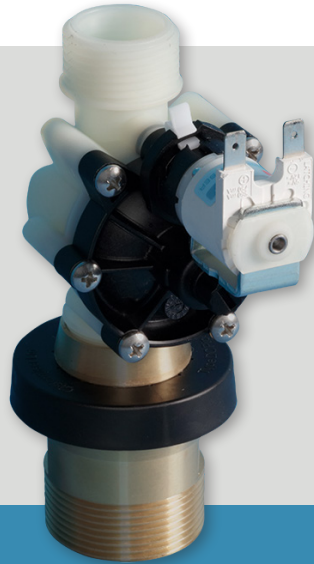


# Easyflush Direct/ Walkaway

## Toilet Flushing Range

Product code: EFD



Easyflush Direct (EFD)



Easyflush Direct is an infrared sensor controlled, mains flushing solution for WC's. This space-saving solution requires no cistern, allowing users to immediately activate successive flushes without delay. This no cistern re-fill solution is ideal for high traffic environments, especially when usage is high in short concentrated periods of time eg. stadiums, service stations, education facilities.

Unlike similar solutions, the Easyflush Direct immediately meets water regulations due to the DC pipe interrupter being included. This cost-effective, innovative solution maximises hygiene and is capable of saving up to 146,000 litres in water savings annually - when compared to traditional WC installations\*, which over time will leak from the degraded seal.

Easyflush Direct requires minimal maintenance, is easy to install and is powered direct from the mains supply, which is ideal for both retrofit and new installations.

### Key features and benefits

- **Saves** - over 146,000 ltrs. of water usage\* per year
- **No cistern required** - designed for high traffic areas where immediate, successive flushing is required
- **Hygienic non-touch** - more hygienic and reduces the likelihood of cross contaminating pathogens
- **DC pipe interrupter included** - ensures Fluid Category 5 compliance
- **Can be configured** to "Wave" or "Walkaway"
- **Vandal resistant** - the valve is fully concealed
- **Mains powered**
- **Removes risk** of storing water behind walls and prevents stagnant water
- **Adjustable** - flush duration and detection range
- **Programmable sensor** - can be programmed in "Wave" mode to single or dual flush
- **Programmable** 12-hour hygiene flush
- **Support** - environmental building schemes



**3** YEAR  
extended  
warranty

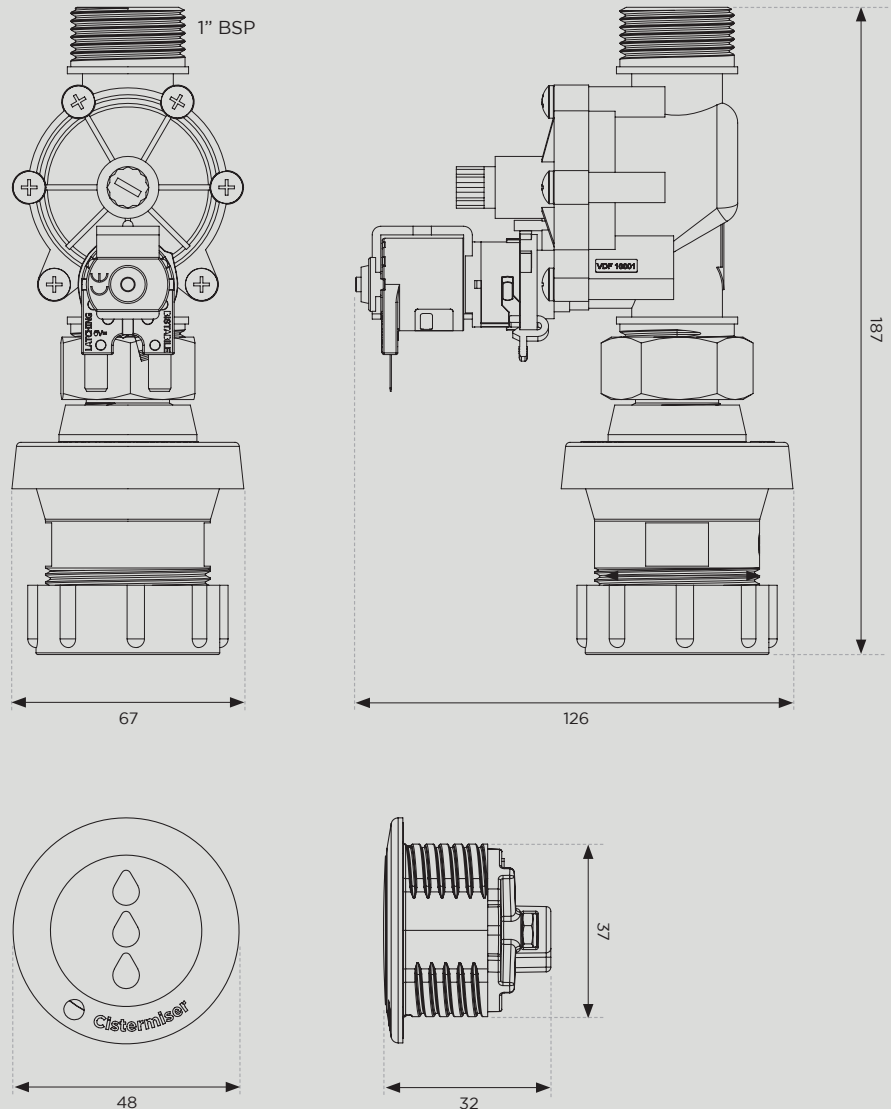
# Easyflush Direct with Sensors Toilet Flushing Range

## Easyflush Direct (EFD)

The sensor activated Easyflush Direct maximises WC hygiene and is capable of achieving up to 146,000 ltrs. in water savings annually. Finished in high grade polished stainless steel, ensures it's robust for the commercial environment.

### Technical information

- **Pipe fitting:** 22mm
- **Sensor range:** Circa 50cm
- **Operating temperature range:** 0 to 40°C



Measurements in millimetres (mm)

### Installation

- **Operating pressure:** 2 - 5bar.
- **Flow rate:** Minimum 90 litres per minute.
- **Back siphonage protection:** Class 5, Type DC.
- **Power:** Mains power.
- Also available as an optional extra is a Multi-Product Power Supply Unit (PSUC) which can provide power for up to 20 Direct Flush flushing valves, with only 1 fused spur required (additional costs apply).

### Regulatory and Compliance

- REG4 and WRAS

### Additional Parts / Optional Extras (additional costs apply)

- Multi Product Power Supply Unit (PSUC)
- Remote Control Programming Handset (ICU)

### Cistermiser Limited

Unit 1 Woodley Park Estate, 59-69 Reading Road, Woodley, Reading, Berkshire RG5 3AN. Cistermiser is a subsidiary of Davidson Holdings Ltd. Cistermiser Ltd reserves the right to amend images and specification without prior notice. Cistermiser only prints on sustainable paper sources.

