

14-SHB-Series Sanitary Hose Bumper

Dixon's 14-SHB-series hose bumper is an innovative departure from traditional rubber bumpers. It prevents forced detachment from the crimp stem even when dragged or dropped on the ground. The open design ensures easy access to clean all surfaces of the fitting while completely protecting the hose ferrule. Experience the convenience and assurance of this hose bumper – slide with ease, secure with confidence!

Application

- Constructed of durable polypropylene, this sanitary hose bumper meets the FDA CFR 21 standard for use in the food, beverage, dairy, winery and brewery, cosmetic, and pharmaceutical markets

Sizes

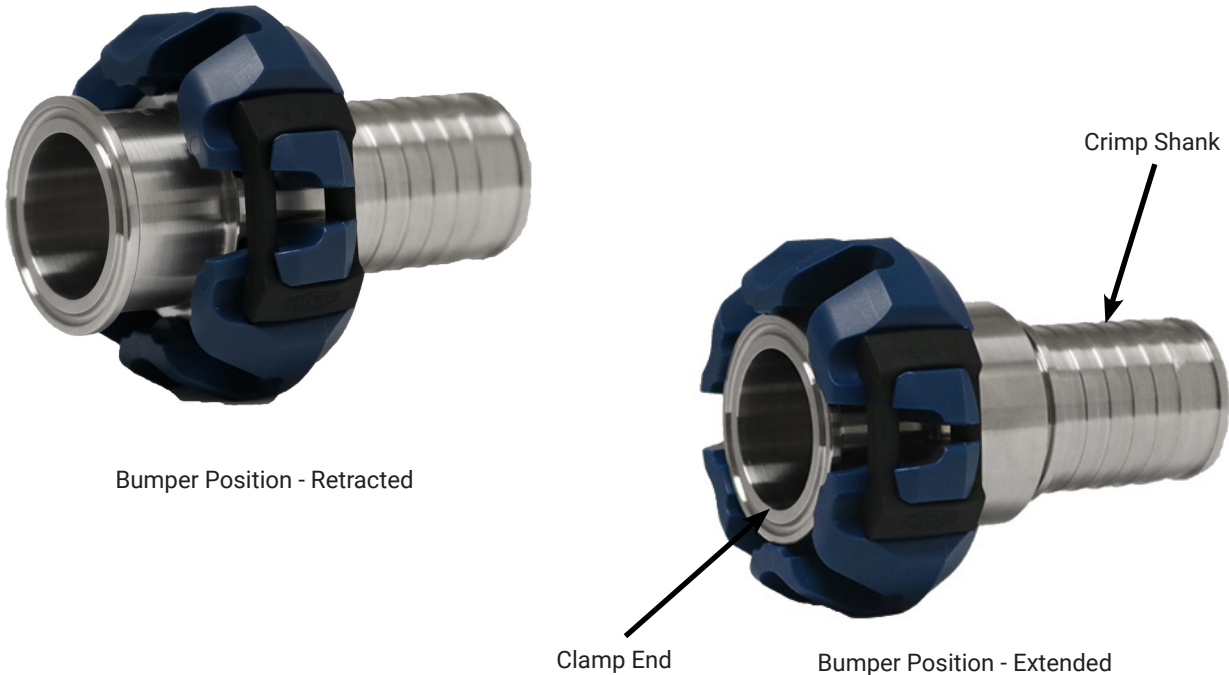
- 1", 1-1/2", 2", 3"

Features

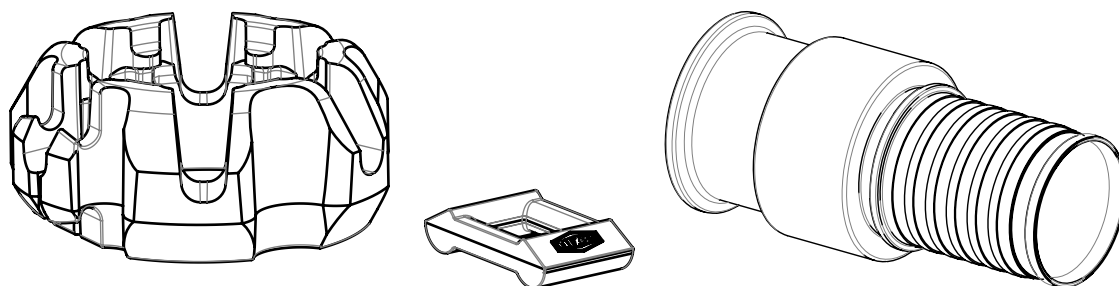
- No special tools or fasteners needed for installation
- Patent-pending two position design provides complete protection to sanitary tri-clamp ferrule
- Cannot be forced off crimp stem like most traditional rubber bumpers when dragged on the ground
- Open design maintains clearance between the crimp stem and the bumper allowing for access to clean and drain all surfaces of the stainless steel fitting
- One bumper size works with any hose diameter within a given tri-clamp ferrule size
- Bumper and sanitary crimp stem were designed together as a system to ensure optimal performance
- Polypropylene bumper contains Sanafor PO-5 antimicrobial additive

Specifications

- Materials of construction
 - Bumper: Polypropylene with an antimicrobial additive (FDA approved)
 - Latch: EPDM (FDA approved)
 - Crimp stem: AISI 316L



14BA-Series Hose Bumper System - Part Number Table

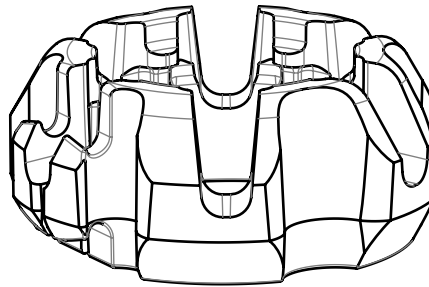


Size	Stem Material (Finish)	Stem Process Connection	Stem Shank Type	Bumper Color	Bumper Material	Bumper System Part #	Item(s) Included
1"	316L (32 Ra)	clamp	3A 62-02 conforming shank	blue (standard)	Polypropylene (standard)	14BA-R10CX	(1) hose bumper (1) latch (1) crimp stem
1-1/2"						14BA-R15CX	
2"						14BA-R20CX	
3"						14BA-R30CX	

NOTE: This bumper system is to be used with a crimp ferrule (not included). See chart below for crimp ferrule part numbers.

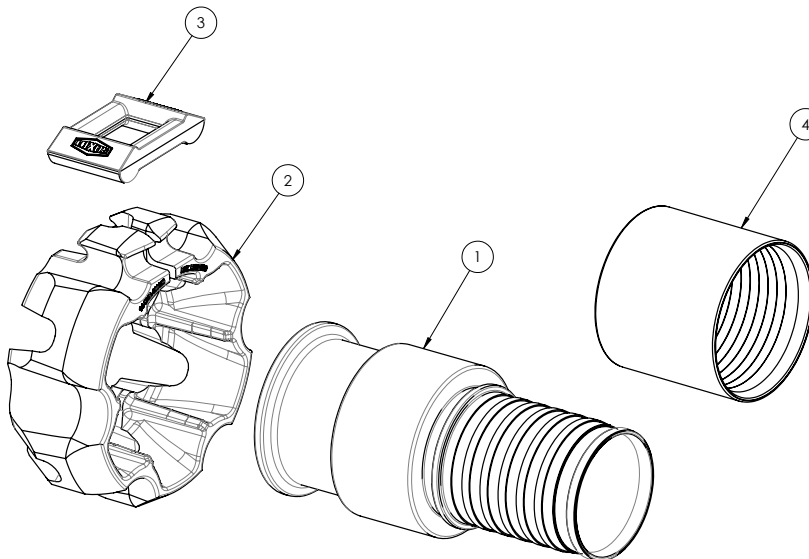
Size	Hose O.D.		Stainless Steel Crimp Ferrule Part # (for reference)
	From	To	
1"	1-26/64"	1-28/64"	F16G-1453
	1-29/64"	1-31/64"	F16G-1500
	1-32/64"	1-34/64"	F16G-1547
	1-35/64"	1-37/64"	F16G-1594
	1-38/64"	1-40/64"	F16G-1641
	1-41/64"	1-43/64"	F16G-1687
	1-44/64"	1-46/64"	F16G-1734
	1-47/64"	1-49/64"	F16G-1781
1-1/2"	1-58/64"	1-61/64"	F24G-1969
	1-62/64"	2-1/64"	F24G-2031
	2-2/64"	2-5/64"	F24G-2094
	2-6/64"	2-9/64"	F24G-2156
	2-10/64"	2-13/64"	F24G-2219
	2-14/64"	2-17/64"	F24G-2281
	2-18/64"	2-21/64"	F24G-2344
	2-22/64"	2-25/64"	F24G-2406
2"	2-30/64"	2-33/64"	F32G-2531
	2-34/64"	2-37/64"	F32G-2594
	2-38/64"	2-41/64"	F32G-2656
	2-42/64"	2-45/64"	F32G-2719
	2-46/64"	2-48/64"	F32G-2766
	2-49/64"	2-51/64"	F32G-2815
	2-52/64"	2-55/64"	F32G-2875
	2-56/64"	2-59/64"	F32G-2938
	2-60/64"	2-63/64"	F32G-3000
	3"	3-3/64"	F32G-3063
3"	3-4/64"	3-7/64"	F32G-3125
	3-36/64"	3-39/64"	F48G-3625
	3-40/64"	3-43/64"	F48G-3688
	3-44/64"	3-47/64"	F48G-3750
	3-48/64"	3-51/64"	F48G-3813
	3-52/64"	3-55/64"	F48G-3875
	3-56/64"	3-59/64"	F48G-3938
	3-61/64"	4"	F48G-4016

14-SHB-Series Hose Bumper - Part Number Key



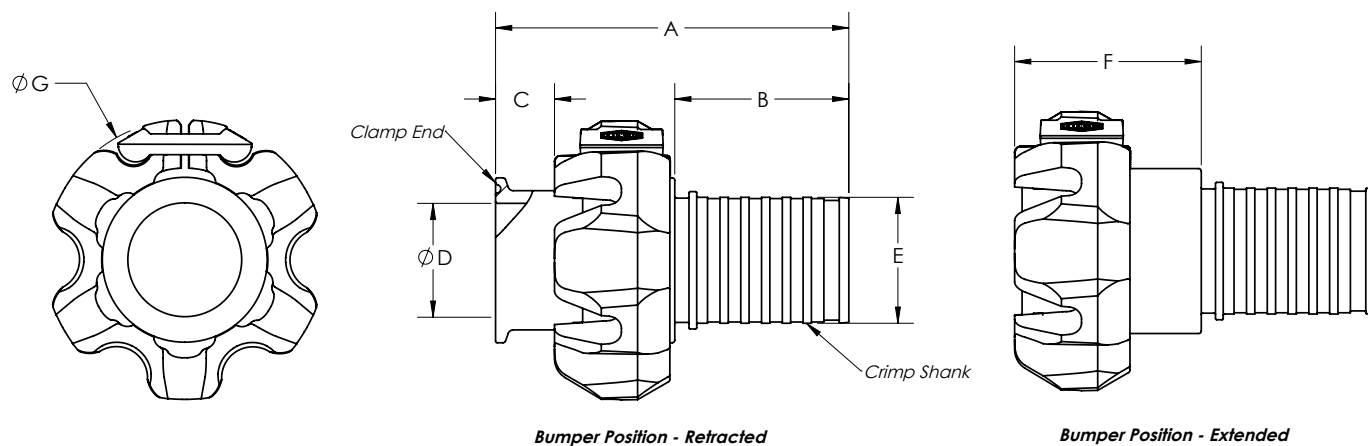
14-SHB-Series Hose Bumper Part Number Key		Series	Size	Bumper Color	Bumper Material
		14-SHB	100150		
Series	Code				
14-SHB	14-SHB				
Size	Code				
1" - 1-1/2"	100150				
2"	200				
3"	300				
Bumper Color	Code				
Blue (standard)	blank				
Bumper Material	Code				
Polypropylene (standard)	blank				

14-SHB-Series Hose Bumper System - Bill of Materials



Item #	Part Number			
	1"	1-1/2"	2"	3"
1	14-SCS-R100	14-SCS-R150	14-SCS-R200	14-SCS-R300
2	14-SHB-100150		14-SHB-200	14-SHB-300
3	14-SHB-L			
4	See chart on page 3			

14-SHB-Series Hose Bumper - Dimensions



Size	Dimensions						
	A (in)	B (in)	C (in)	D (in)	E (in)	F (in)	G (in)
1"	3.68	1.52	0.75	0.87	1.02	2.25	3.37
1-1/2"	4.25	2.09		1.37	1.52		
2"	4.75	2.60		1.87	2.02		
3"	5.16	3.00		2.87	3.02		

Limited Warranty

DIXON VALVE & COUPLING COMPANY, LLC (herein called "Dixon") warrants the products described herein and manufactured by Dixon to be free from defects in material and workmanship for a period of one (1) year from date of shipment by Dixon under normal use and service. Its sole obligation under this warranty being limited to repairing or replacing, as hereinafter provided, at its option any product found to Dixon's satisfaction to be defective upon examination by it, provided that such product shall be returned for inspection to Dixon's factory within three (3) months after discovery of the defect. The repair or replacement of defective products will be made without charge for parts or labor. This warranty shall not apply to: (a) parts or products not manufactured by Dixon, the warranty of such items being limited to the actual warranty extended to Dixon by its supplier; (b) any product that has been subject to abuse, negligence, accident, or misapplication; (c) any product altered or repaired by others than Dixon; and (d) normal maintenance services and the replacement of service items (such as washers, gaskets, and lubricants) made in connection with such services. To the extent permitted by law, this limited warranty shall extend only to the buyer and any other person reasonably expected to use or consume the goods who is injured in person by any breach of the warranty. No action may be brought against Dixon for an alleged breach of warranty unless such action is instituted within one (1) year from the date the cause of action accrues. This limited warranty shall be construed and enforced to the fullest extent allowable by applicable law.

Other than the obligation of Dixon set forth herein, Dixon disclaims all warranties, express or implied, including but not limited to any implied warranties of merchantability or fitness for a particular purpose, and any other obligation or liability. The foregoing constitutes Dixon's sole obligation with respect to damages, whether direct, incidental, or consequential, resulting from the use or performance of the product.

Some products and sizes may be discontinued when stock is depleted or may require a minimum quantity for ordering.

Limits of Liability

This brochure is intended as a product offering. It is not intended to be a user or technical manual. Information in this brochure is subject to change without notice. All users and distributors of products sold through this brochure should contact Dixon with questions of use, compatibilities, coupling procedures, and life of product. Our full-time engineering and test staff are always available to recommend uses and to assist distributors and users with any questions.



Safety



Safety logos, which appear throughout our catalog, are used as a reminder that the user should carefully review for the appropriateness of the product for the media, application, and environment in which it will be used.

NOTE: Because of the health hazards associated with contamination and lead content in drinking water systems, Dixon couplings, unless otherwise specifically approved, are not recommended for potable water service and should not be used in applications where drinking water will contact the wetted surfaces of the coupling.

All Dixon products are shipped in cartons with the following warning:

"WARNING: This product contains lead, a chemical known to the State of California to cause cancer and birth defects or other reproductive harm."

Trademark

Delrin® and Zytel® are registered trademarks of E.I. duPont Nemours and Company.

Kalrez® is a registered trademark of DuPont Dow Elastomers.

All other trademarks appearing in the Dixon illustrated product list are the property of their respective owners.

Copyright

Copyright © 2024 by Dixon Valve & Coupling Company, LLC

All rights reserved. This book is copyrighted material. Use, reproduction or copying of it by anyone other than Dixon® is strictly forbidden without its express written consent.

NOTE: Reasonable care has been taken in preparing this catalog. Dixon Valve & Coupling Company, LLC reserves the right to make corrections.

