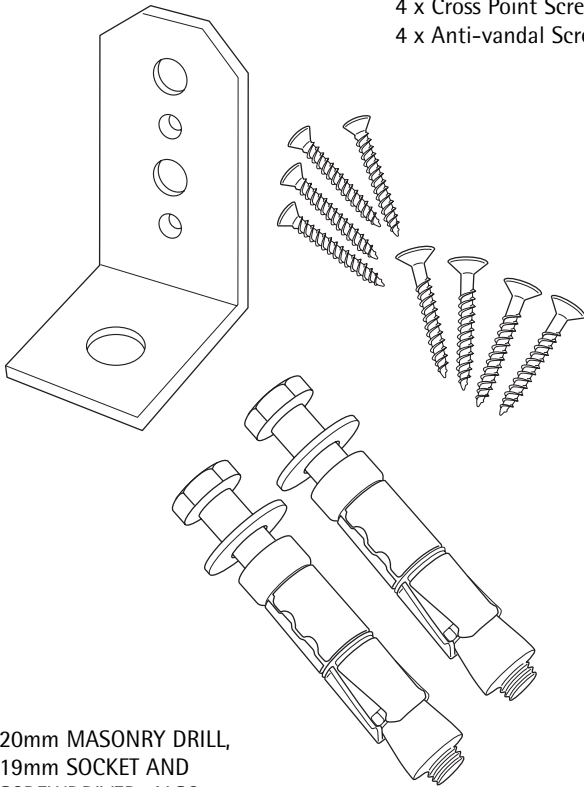


INSTALLATION INSTRUCTIONS

ANCHOR KIT EA103

DOC REF: 350 ISSUE 03

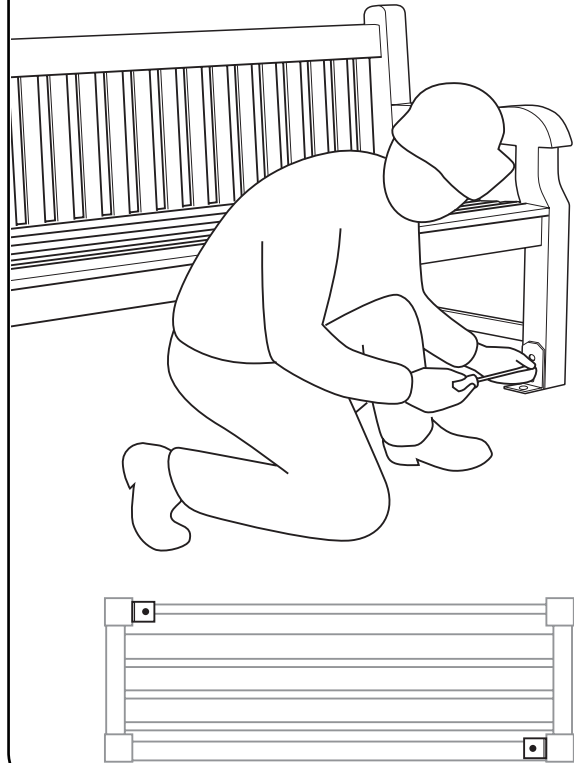
Components - 2 x Bench Brackets
2 x Expanding Bolts
4 x Cross Point Screws
4 x Anti-vandal Screws



20mm MASONRY DRILL,
19mm SOCKET AND
SCREWDRIVER ALSO
REQUIRED.

1

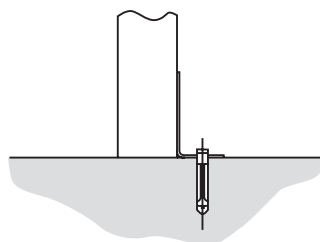
Fix 2 bench brackets to the inside of seat legs, diagonally. Mark hole positions through bench brackets, drill 2 pilot holes: 3mm dia x 45mm deep. Fix brackets using either cross point or vandal resistant screws.



2

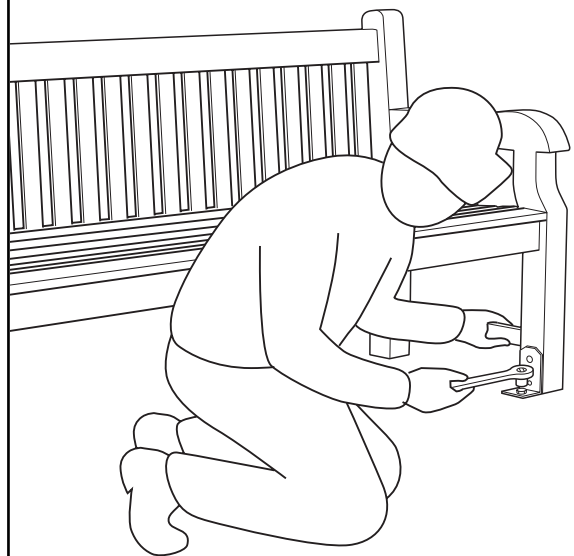


Position seat.
Mark ground position
through bracket.
Move seat aside and drill
20mm hole, approximately
110mm deep.
Fit expanding bolt into hole
and remove bolt.



3

Reposition seat and fit bolt, but
don't fully tighten at this stage.
Repeat procedure for the other bolt.
When set is finally positioned, fully
tighten both bolts.



Earth Anchors Ltd
15 Campbell Road, Croydon, Surrey CR0 2SQ, United Kingdom.
Tel: 020 8684 9601 Fax: 020 8684 2230
www.earth-anchors.com