

xpression | light | classic | eclipse | elite | accessories




# Specification Guide & Retail Price List

SPRING 2011

Clarke ■ Rendall

evolution®

Inspirational furniture for commercial business interiors



**evolution<sup>®</sup>:**  
the benefits at a glance...

---

- 183 standard reception desks across five ranges
- All hand built to order right here in the UK
- Comprehensive dealer support package as standard with every project
- 66 desk models available on evolution<sup>®</sup> **EXPRESS** 10 working day turnaround guaranteed - or your money back
- Free scheduled delivery and installation anywhere in mainland UK
- Highly simplified ordering through transparent catalogue numbering system
- All products delivered and installed by expert Clarke Rendall fitters
- Dedicated Sales Support team always available

## Helping you secure more business...

### All 5 evolution® ranges at a glance 2

- Visual guide for quick identification of ranges

---

### Why Clarke Rendall 4

- UK manufacturing at our 20,000 sq ft facility
- Skilled and experienced craftsmen
- Standard, special and bespoke

---

### Dealer support 6

- Manufacturing excellence videos
- 5 step guide
- Design presentationse
- Dealer support news & project updates
- Lead generation programme
- New website
- Case Studies

---

### Ordering with Clarke Rendall 10

- Step by step guide to placing your order

---

### Frequently asked questions 12

## Product Ranges

### evolution® Xpression 16

### evolution® light 26

### evolution® classic 34

### evolution® eclipse 54

### evolution® elite 72

Credenzas 90

Pedestals & evolution® EXPRESS 91

Conditions of Sale 92

## 2 All 5 evolution® ranges at a glance

With five distinct ranges in the portfolio, **evolution®** offers broad appeal across a diverse array of requirements. From the more traditional styling of **eclipse**, through the timeless looks of the original **classic** and **elite**, to the highly contemporary, minimal design of **light** and the new **Xpression CURVE**.

This handy at-a-glance guide will assist you in quickly gauging which **evolution®** solution will best meet all your clients requirements for the ideal reception desk solution.

### evolution® Xpression

#### LED lit recessed feature panel



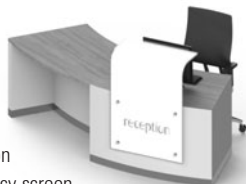
### evolution® light

#### Lightbox with backlit front panel



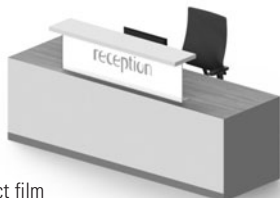
## evolution® classic

### The original timeless design



#### Type Z:

Single section  
shaped privacy screen



#### Type 1:

Etch effect film  
upstand with wood counter cap

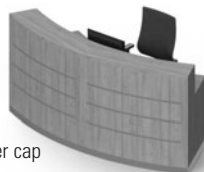


#### Type 2:

Etch effect film upstand with clear toughened  
glass counter cap supported by stainless steel fins

## evolution® eclipse

### Rebated brushed aluminium shadow gaps



#### Type N:

No glass counter cap



#### Type P:

Glass counter cap on  
satin anodised aluminium posts

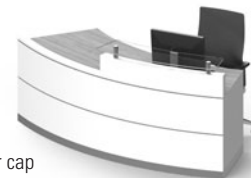


#### Type K:

Glass counter cap on stainless  
steel claw supports with integral LED lighting

## evolution® elite

### Feature inlay banding



#### Type P:

Glass counter cap  
on satin anodised aluminium posts



#### Type K:

Glass counter cap on stainless  
steel claw supports with integral LED lighting



#### Original:

Glass counter cap on stainless steel claw  
uprights with integral LED up and down lighting

## 4 Why Clarke Rendall



**All our furniture is hand built to order here in the UK, to ensure consistent high quality, with projects completed on time, and without major hassle**

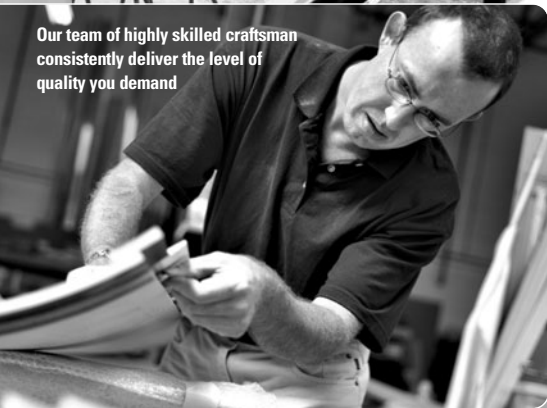
Clarke Rendall has been designing and manufacturing a diverse array of contemporary business furniture since 1992 right here in the UK. Our **skills, resources and experience**, allow you to consistently deliver for your clients the ideal business furniture solution.

Every year, at our 20,000 sq ft facility, we **hand build to order** hundreds of stunning reception desks, ranging from standard products through to complex bespoke projects - plus an impressive array of bespoke boardroom and conference room tables and ancillary items.

Our highly **skilled craftsmen** use a combination of traditional cabinet making skills and modern manufacturing techniques to ensure each and every piece of Clarke Rendall furniture meets the exacting standards you must demand in order to **satisfy your clients**.



**Our team of highly skilled craftsman consistently deliver the level of quality you demand**



## The capability and experience to deliver the ideal solution - whatever your client's requirements...

Everything about the products we manufacture for you is geared around delivering your ideal business furniture solution. We strive to create inspirational business furniture that will satisfy your clients requirements and deliver for you a healthy profit.

### evolution® standard product

We offer an impressive array of 'off the peg' reception desk solutions in the form of evolution®. Broken down into 5 ranges, **Xpression**, **light**, **classic**, **eclipse** and **elite** give you the capacity to offer your clients a bespoke quality solution at an extremely attractive price.

### evolution® special product

If you like the styling of one of our standard ranges, but it doesn't quite 'fit', let us work with you to customise your design. This can be something as simple as allowing for a column or doorway, through to creating a completely bespoke looking solution but without the costs associated with designing from scratch.

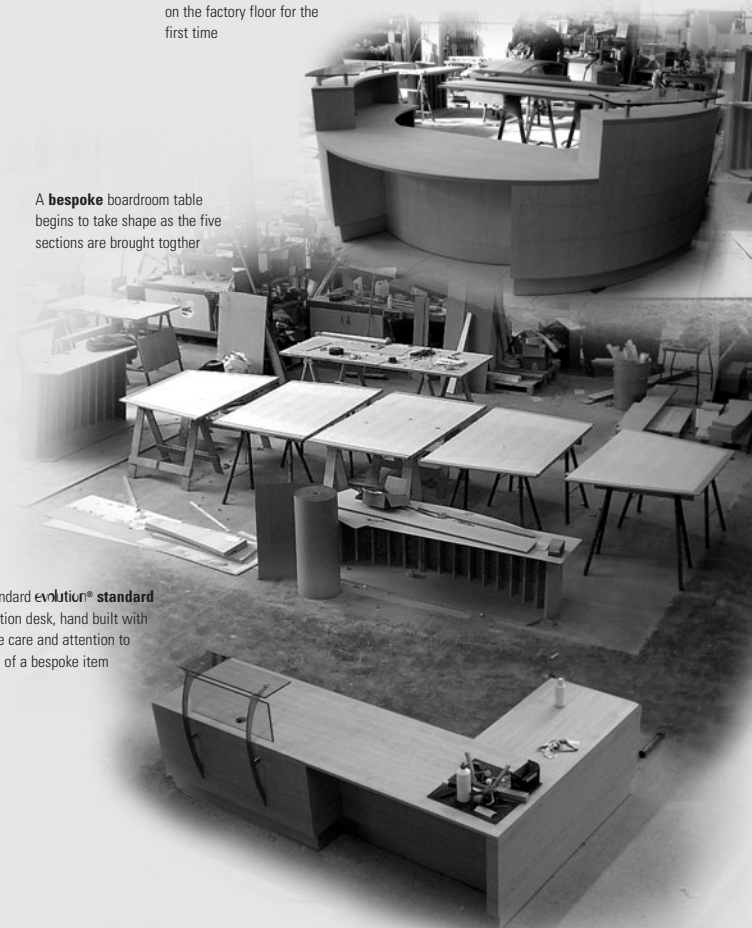
### Bespoke solutions

Sometimes only bespoke will do. On these occasions you need the confidence that comes from dealing with a company with an unparalleled track record in designing and manufacturing stunning one off pieces that will create a breath taking impression in any environment.

An evolution® special reception desk is assembled on the factory floor for the first time

A bespoke boardroom table begins to take shape as the five sections are brought together

A standard evolution® standard reception desk, hand built with all the care and attention to detail of a bespoke item



## 6 Dealer support



**From raw materials  
to component parts**



**Construction**



**Finishing**

**See for yourself the craftsmanship and attention to detail that guarantees your clients unsurpassed quality and reliability!**

What better way is there to **show your clients that you can deliver** their requirements on time and on budget than by giving them the opportunity to see first hand the superb level of skills and expertise at their disposal right here in the UK at **Clarke Rendall**.

Take a few minutes to **view these revealing videos**, all shot right here at Clarke Rendall, and discover the skills and processes involved in transforming raw materials into stunning business furniture that will **guarantee your clients total satisfaction**.

**Get the inside story on reception desk specifying and boost your knowledge and expertise instantly!**

We've written this guide specifically for furniture dealers, architects, designers and specifiers to help you **maximise client satisfaction** by ensuring all your reception desk projects are more successful.

This is an **important industry initiative** aimed at ensuring everybody in the marketplace is speaking the same language.

# FREE GUIDE



**UPDATED  
for 2011**



## Wow your clients and secure more business with our stunning high impact presentations

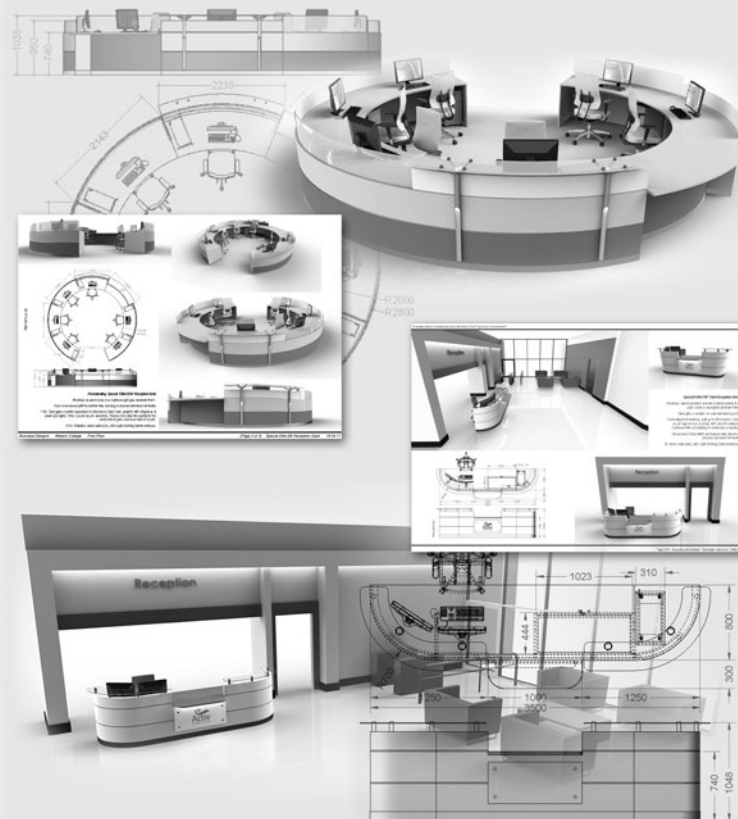
Give yourself the edge over your competition by presenting **photo-realistic images** to capture your client's imagination and leave them in no doubt whatsoever about how their finished project will look.

Imagine the added impact and **increased sales appeal** when you present this unmatched level of finished presentation.

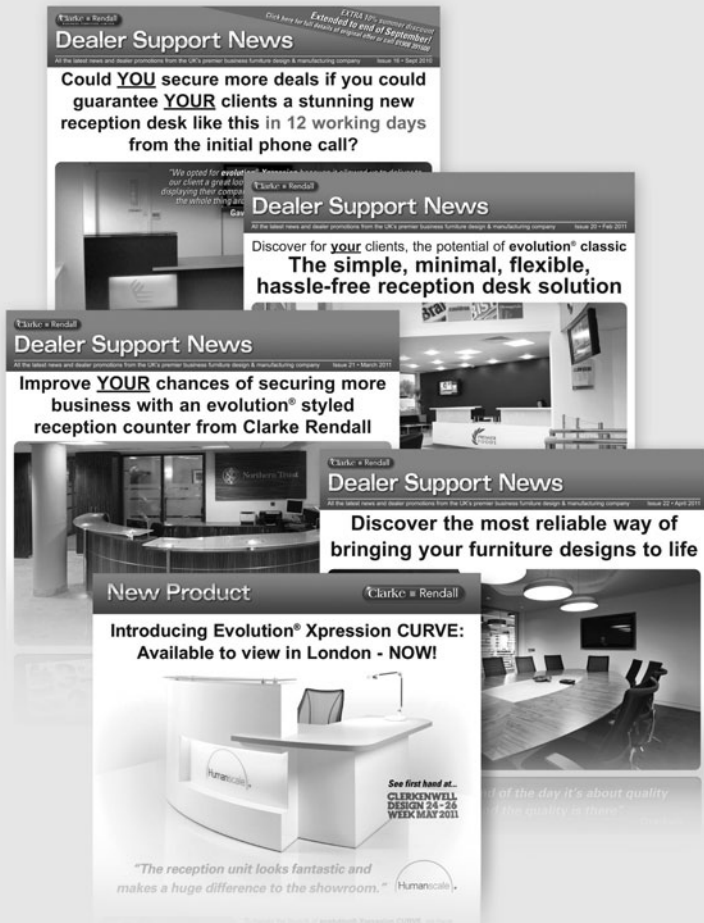
- Lifelike woodgrain patterns
- Surface finishes from matt to high gloss
- Realistic materials such as steel, glass and laminate
- Accurate shadow effects

This is all made possible through Photoview 360. This **sophisticated software** allows our highly trained CAD technicians to produce more impressive results, more accurately and more efficiently too.

**This could make the difference on your next project!**



## 8 Dealer support



## Don't miss out on the constant flow of offers and incentives available to all Clarke Rendall dealers

To keep all our dealers up to date with all that we're doing in the market to help you win more business and boost your profits, we regularly email out **Dealer Support News**. This valuable publication ensures none of our dealers miss out on the many opportunities we provide through an on-going programme of valuable offers and incentives.

For the Architect and Specifier, we issue regular case study focussed emailings taking a more in depth look at some of the larger, more interesting projects that we have been involved with. These aim to highlight the benefits of the services we can offer your clients in large scale bespoke furniture projects.

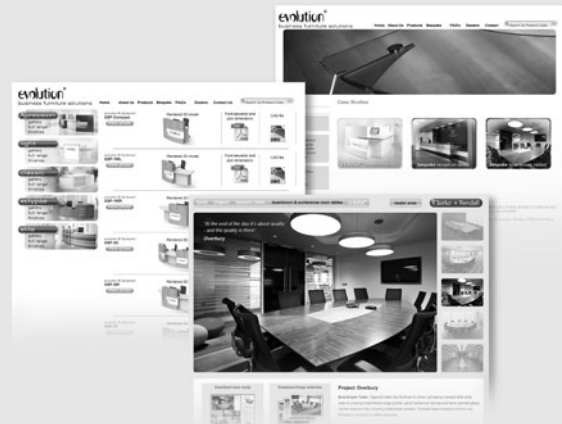
## Dealer Lead Generation Programme

Clarke Rendall continues to place **high profile DPS advertisements** as part of our on-going advertising campaign in all the **key national trade titles** to **attract more enquiries for dealers**.

To be part of this lead generation programme, call our sales support team today on **01908 391600**.

## Direct your clients to our new project focussed portfolio website for a vast array of downloadable material - or just for inspiration

Since its major re-launch, the Clarke Rendall website provides a **vast resource** of material for all visitors. Use it simply to see the possibilities and fire your imagination, or **download a wealth of gallery images** along with **key technical data and CAD blocks** to aid in your designs.



## Read and download our growing collection of valuable case studies for ideas, inspiration and solutions

For more detailed information about some of our projects across all areas, we also provide a library of case studies. Each showcases an **evolution® standard, special** or bespoke project of particular interest and features a selection of high quality images which you can download.

These case studies are added to on an on-going basis, so please check back regularly to view and download new material.



# 10 Ordering with Clarke Rendall

## Your 5 step plan to simple successful ordering each and every time

Right from the outset of every project, **Clarke Rendall** is committed to delivering you a level of service and support that make **dealing with us simple and effortless**, time after time.

Our whole support operation is geared around **ensuring you are totally comfortable** with the process from start to finish. We'll give you as much help and assistance as you need in order to drive through your project and **deliver successful results for your client**.

We've built a reputation on getting things right, which is how we've managed to build up so many **long term partnerships** that benefit both you and your clients.

### STEP 1

## Responding to your feedback and finalizing the design

This stage is crucial to the success of all that follows so make sure you are asking all the right questions, such as:

**WHAT IS IT/WHAT MUST IT DO?** - How many users need to be accommodated? Will it need specific equipment such as PC's, TFT screens, security equipment? Will it need to be DDA compliant? Does it need storage? Are there any architectural features to accommodate such as walls or columns?

**WHAT SHOULD IT LOOK LIKE?** - Preferred styling, straight or curved. Perhaps based on one of our previous projects or possibly a standard product?

**HOW WOULD YOU LIKE IT FINISHED?** - Veneer, plain-colour or woodgrain laminate, glass, steel, stone or acrylic. Perhaps with lighting, plinth detail, inlay bands or a logo etc.

**WHAT BUDGET IS AVAILABLE?** - Is this to be a bespoke project or can we meet your needs with a standard **evolution**® product? Maybe the solution is customising a standard product to produce an **evolution**® special?

Call us on **01908 391600** and speak to one of our specialist support team who will try and get a fix on the type of desk you're after. Our experienced staff will quickly establish everything required by Clarke Rendall to move on to the next step in the process.

### STEP 2

## Presenting you with an initial design

Based on all you've told us, our design team will now produce:

- An initial design proposal in the form of a plan drawing and 3D images plus examples of other relevant projects
- Swatches of veneers/laminates or any specialist finishes if required
- Indicative budget costings based on initial design
- Manufacturing lead time based on current production schedule

Although what's listed above will result in a comprehensive presentation, we may keep the design itself quite loose in order that feedback from you and your client can be easily integrated.

See website to view and download a sample initial design proposal.

### STEP 3 Responding to your feedback and finalizing the design

Once you have discussed the initial design with your client, we can address any requested changes or tweaks required and then produce a **full detailed design proposal** including 3D renders of the furniture in situ for you to formally present to your client for final sign off and ordering purposes.

To support this design, we will also produce an **accurate detailed quotation** and confirm the **manufacturing lead time** to produce your furniture.

See website to view and download sample full detailed design proposals.

### STEP 4 Placing the order and scheduling manufacture

The design and costs are agreed, now it's time to **place an order**.

Upon receipt of your order, **construction drawings** are generated and sent to you for your client's approval. Once approved, these drawings are issued to our **expert cabinet makers**, and your furniture is hand built to order here at our **20,000 sq ft facility** in Milton Keynes.

See website to view and download sample construction drawings.

### STEP 5 Delivery and Installation

Your furniture is then delivered and installed by highly **experienced Clarke Rendall fitters** whose dedication and professionalism ensures they always represent your company in the best possible light during their time on site.

Don't just take our word for it though, visit our website and read for yourself some the **many testimonials we have received from satisfied clients**.

With all standard **evolution®** products, scheduled **delivery and installation is even free of charge**.

#### Need anything else?

If you need any further assistance or would just like to talk to somebody about any of the services outlined here, simply pick up the phone now and call our friendly, knowledgeable support team on **01908 391600**.

## 12 Frequently asked questions

### **Can you provide me with CAD Blocks?**

Yes - We can provide you with CAD Blocks in a variety of formats for all our **evolution**<sup>®</sup> Reception Desks enabling you to create your own plan. These are all downloadable from our website.

### **Can I have a logo on my desk?**

**evolution**<sup>®</sup> **classic**: Yes - the standard logo is a cut out in the etch effect film that is applied to the glass or acrylic of your desk, or, depending on the logo design, we can apply a vinyl cut logo or lettering. For either, we will require artwork emailed to us in an EPS vector format line drawing. Please call our support team for more information and costs.

**evolution**<sup>®</sup> **light** & **evolution**<sup>®</sup> **Xpression**: Yes - For a vinyl cut logo or lettering we will require artwork emailed to us in an EPS vector format line drawing. For more complex full colour corporate graphics such as photographic images, artwork should be provided at 300dpi at A4 size. Please call our support team for more information and costs.

### **Can I have Plinth or Upstand lighting?**

Yes – these are extras please contact us for prices.

### **What are your current lead times?**

Lead Times may vary due to order input but start at 10 working days for **evolution**<sup>®</sup> **EXPRESS** - Guaranteed. We aim to produce all standard **evolution**<sup>®</sup> products within 4-5 weeks of receipt of order through to 6-8 weeks for the complete bespoke solution.

### **Can you supply me with Samples?**

Yes – All standard wood veneers and laminates are available direct from Clarke Rendall. Alternatively, woodgrain or plain laminate samples may be requested online at [www.egger.co.uk/zoom](http://www.egger.co.uk/zoom).

Any other requirements may have to be ordered in specially.

### **The prices shown in your brochure are retail. What are my Trade Terms?**

*IF YOU HAVE ORDERED WITH US BEFORE* - Your Trade Terms will have already been agreed.

*IF YOU ARE A NEW CLIENT* - You will need to complete a Credit Account Application Form. On receipt of this your Trade Terms will be confirmed to you.

**I like the style of your standard evolution® products but they don't quite fit the space, can you still help me?**

Yes – we are more than happy to modify any of our standard furniture to suit your requirements; we can design them for you and provide you with a quotation.

**Can I download from your website?**

Yes – all images, line drawings, CAD Blocks and the specifications of all standard evolution® products are downloadable from our website.

**What is the finish on the underside and inner faces of the reception desks?**

All interior and underside surfaces are in either titanium effect finish or white depending on the exterior finish

**Do you deliver and install?**

Yes - we have our own teams of skilled fitters in our own vehicles who will install the furniture in your clients premises professionally and courteously. They will leave the premises in a clean and tidy condition.

**Do you charge for this service?**

We offer different levels of service depending on your requirements:

**SCHEDULED DELIVERY** - This is a free of charge service available on all evolution® standard product orders. All mainland UK deliveries are undertaken on weekly regional scheduled journey plans enabling us to provide complete national coverage.

**REQUESTED DELIVERY** - For deliveries required on a specific date and time a charge will be made for this service and the cost will be shown on your quote.

**SPECIALS & BESPOKE ORDERS** - Delivery and Installation charges will be priced accordingly.

**NON-MAINLAND UK** - All deliveries outside of mainland UK are by special agreement only.

**COLLECTIONS** - All furniture is available for collection ex-works. This is by special agreement only.



## 14 Frequently asked questions

### **I have contacted my client regarding delivery and installation and the site is not ready. Can you store the furniture for me?**

Yes – as stated on our Order Acknowledgement we can store the furniture free of charge for one week beyond the agreed delivery and installation dates. If the site is still not ready after that week, the furniture will be moved to an off-site storage facility and charged at the minimum rate of £100.00 + VAT per week or 2.5% of the order value whichever is the greater. At this point the balance invoice will also be raised and payment will become due as per the terms of your Order Acknowledgement. If the furniture has not been delivered within 8 weeks of the acknowledged delivery date, the storage charge will increase to 10% of the order value until a delivery and installation date has been confirmed. Payment of these charges will be due in 7 days from invoice date.

### **My client would like something totally unique to him. Can I still order from you?**

Yes – we can provide you with the complete Bespoke solution and will help with the design and planning.

### **Will you visit site to carry out a survey?**

We will carry out a site survey for all fitted furniture. For freestanding furniture you will be sent a Site Survey Form with the Order Acknowledgement pack requesting access information and any special points we should note.

### **The new furniture has been installed and it looks fantastic, how do I clean it?**

Cleaning methods vary depending on the finish of the furniture:

**VENEERED FURNITURE** - The lacquered surface of a veneer desk should only be cleaned with a soft damp cloth to remove dust etc and then dried off with a soft duster. Spray or Wax Polishes must not be used and Clarke Rendall will not be held responsible for damage to the lacquer surface as a result of using these items. Any water spillage should be mopped up straight away.

#### **LAMINATE AND LACQUER FURNITURE**

The surface may be cleaned with any non-abrasive, non-aerosol cleaner. Any water spillage should be mopped up straight away.

**GLASS AND ACRYLIC UPSTANDS** - These should be cleaned with glass cleaner on the visitor side. The Receptionist side should be cleaned with a soft damp cloth, as there is a film applied to the rear and this could be scratched, scored or scuffed.

**GLASS SHELVES** - If the shelf has been sandblasted to the rear this may only be cleaned with a damp cloth as there is a protective coating applied to this side. Its trade name is 'Clear Shield'.

**METALWORK** - This should be cleaned with a dry cloth and buffed up, alternatively use WD40 and buff immediately to remove any fingerprints and excess oil.





## Other Information

### Specifications

We reserve the right to alter designs and specifications without notice.

### Environmental Policy

Wherever possible we use materials that are sourced from countries that have a defined policy for the management of sustainable resources.

### VAT

All prices shown are retail and are exclusive of VAT

### Warranty

All furniture is guaranteed free from defect in material and workmanship under normal and proper use for a period of one year. Notice of any defect must be notified within 7 days of delivery and installation. Clarke Rendall's examination of the furniture must find the product to be defective or this warranty will be of no effect.

## Desk shape

**X** = an Xpression desk with signature LED lit recessed feature panel

**B** = curved desk

**C** = straight desk

**CB** = combination straight/curved desk with straight lightbox

**P** = Post mounted glass counter

Desk top - 38mm thick

## Configuration, size variants & options

**Compact** = 1600mm wide desk

**1** = one person option

**2** = wider two person option

**L** = 1200mm feature panel section to left

**R** = 1200mm feature panel section to right

**W** = low level oversail end desktop section

**D** = double feature panel section desk with recessed central low level oversail desktop section

**T** = double feature panel section desk with two 1200mm joining sections

## Desks with returns

**SL** = return at the left side

**SR** = return at the right side

All handings based on viewing desk from visitor side

## Examples

**XCP-2W** Straight 2 person desk with central 1200mm feature panel section flanked left and right by low level desktop sections

**XBP-1WL** Curved 1 person desk with 1200mm feature panel section to the left and low level desktop section to the right.

## Finishes

evolution® Xpression reception desks are available in all the standard evolution® plain colour and woodgrain laminates with the PVC desktop edging available in 10 standard finishes.

Counter caps are available in clear, grey or blue glass.

The feature panel section can be specified in any of the standard real wood veneers or white, graphite or silver lacquer as standard.

The signature LED lit recessed feature panel is available in a range of plain colour and woodgrain laminates or high gloss acrylics.

See colour brochure for finish options.

\*For information on applying logos, custom graphics and photography to the signature LED lit recessed feature panel, call our sales support team on 01908 391600.



XCP-2D



XBP-2D



XBP-1WL



XCP-2W

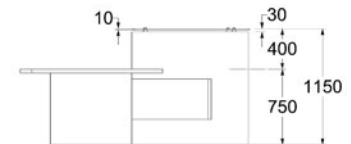
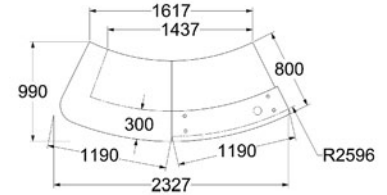
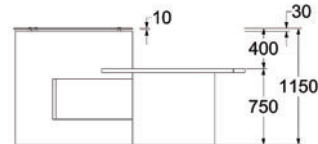
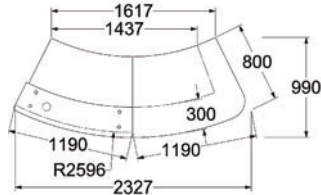
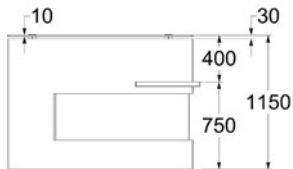
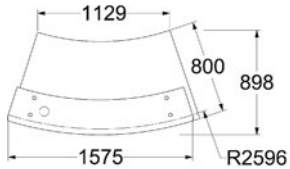
**XBP Compact**



**XBP-1WL**



**XBP-1WR**



For retail prices and dealer information call

**01908 391600**

For retail prices and dealer information call

**01908 391600**

For retail prices and dealer information call

**01908 391600**

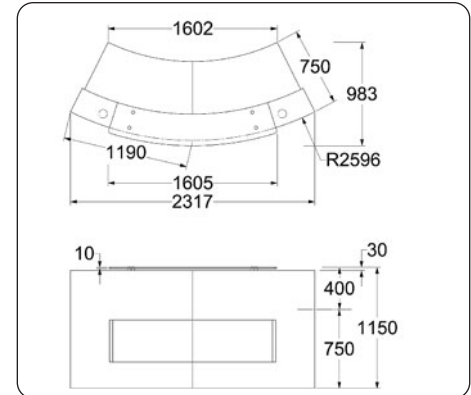
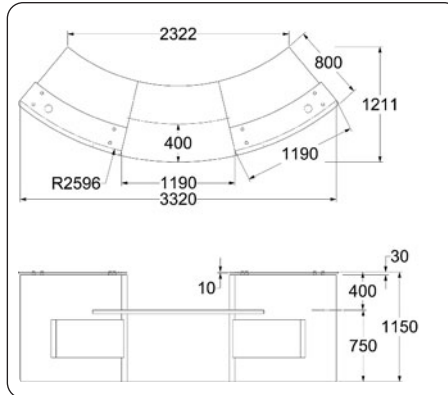
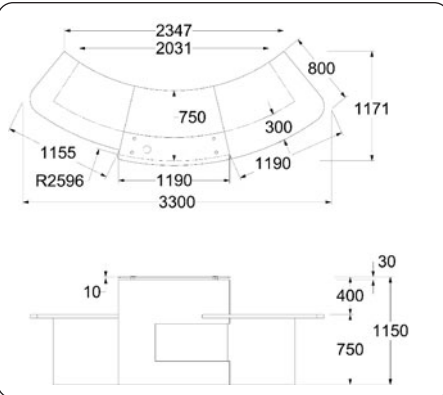
**XBP-2W**



**XBP-2D**



**XBP-2T**



For retail prices and dealer information call

**01908 391600**

For retail prices and dealer information call

**01908 391600**

For retail prices and dealer information call

**01908 391600**

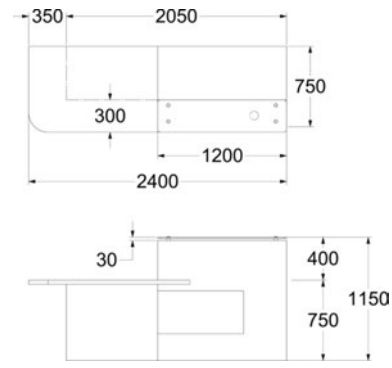
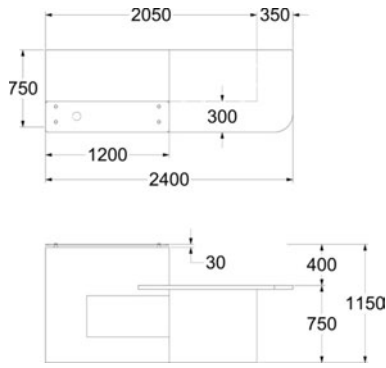
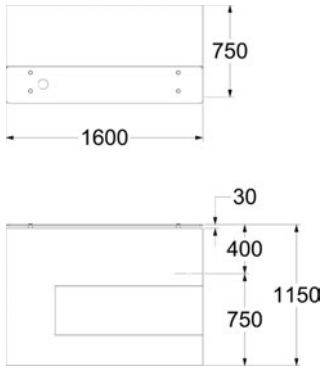
### XCP Compact



### XCP-1WL



### XCP-1WR



For retail prices and dealer information call

**01908 391600**

For retail prices and dealer information call

**01908 391600**

For retail prices and dealer information call

**01908 391600**

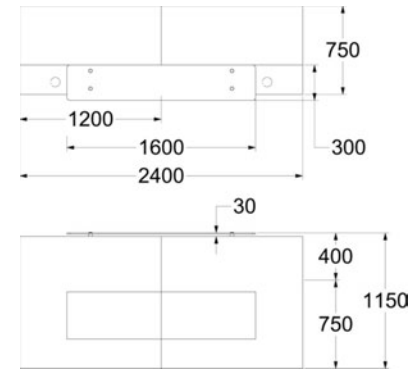
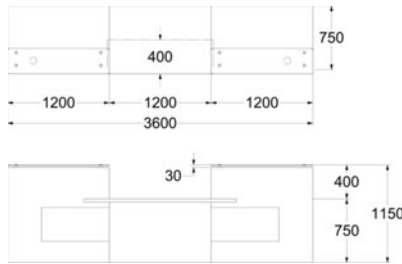
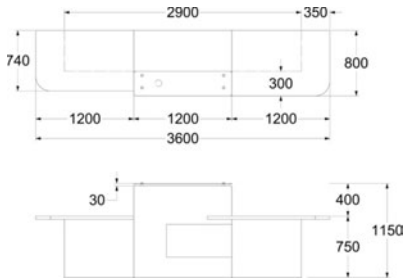
**XCP-2W**



**XCP-2D**



**XCP-2T**



For retail prices and dealer information call

**01908 391600**

For retail prices and dealer information call

**01908 391600**

For retail prices and dealer information call

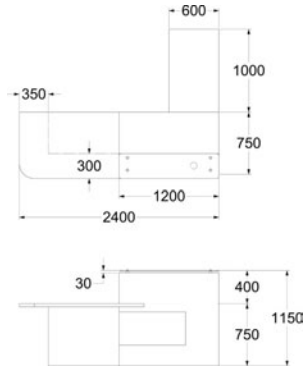
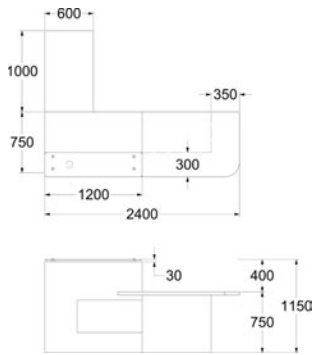
**01908 391600**

**22 evolution® Xpression straight reception desks**

**XCP-1WL-SL**



**XCP-1WR-SR**



For retail prices and dealer information call

**01908 391600**

For retail prices and dealer information call

**01908 391600**



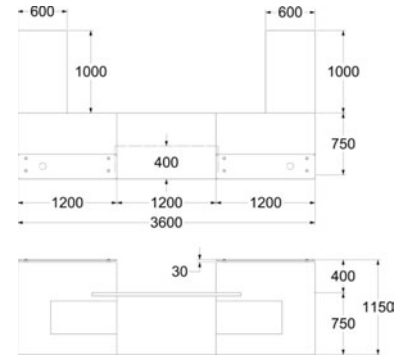
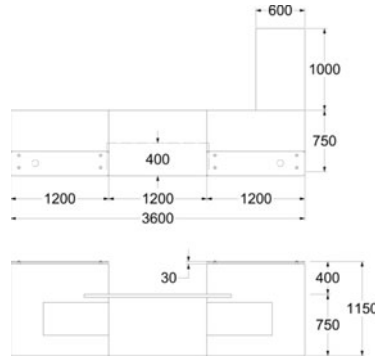
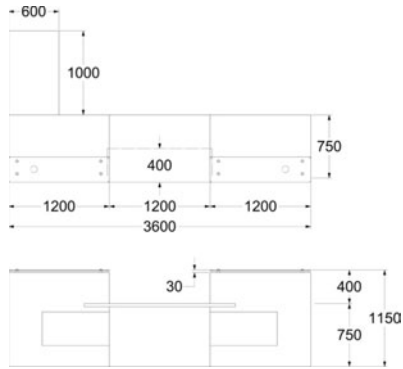
**XCP-2D-SL**



**XCP-2D-SR**



**XCP-2D-SLR**



For retail prices and dealer information call

**01908 391600**

For retail prices and dealer information call

**01908 391600**

For retail prices and dealer information call

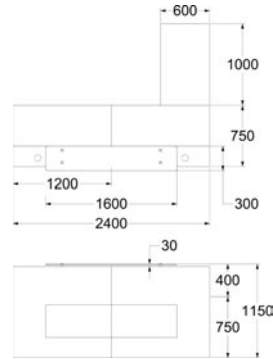
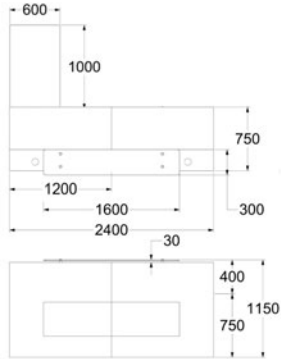
**01908 391600**

24 evolution® Xpression straight reception desks with return

XCP-2T-SL



XCP-2T-SR



For retail prices and dealer information call

**01908 391600**

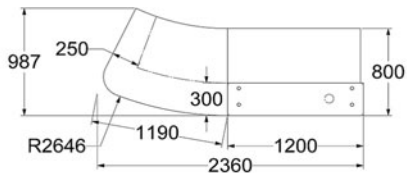
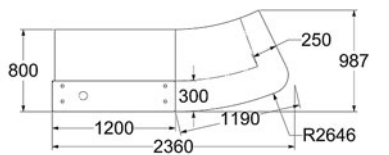
For retail prices and dealer information call

**01908 391600**

**XCBP-1WL**



**XCBP-1WR**



For retail prices and dealer information call

**01908 391600**

For retail prices and dealer information call

**01908 391600**

## Desk shape

**L** = a light desk with feature lightbox

**B** = curved desk

**C** = straight desk

**CB** = combination straight/curved desk with straight lightbox

**P** = Post mounted glass counter

Desk top - 38mm thick

## Configuration, size variants & options

**Compact** = 1600mm wide desk

**1** = one person option

**2** = wider two person option

**L** = 1200mm lightbox to left

**R** = 1200mm lightbox to right

**W** = low level oversail end desktop section finished in woodgrain or plain colour laminate

**C** = 1600mm central lightbox

**D** = double lightbox desk with central low level oversail desktop section finished in woodgrain or plain colour laminate

## Desks with returns

**SL** = return at the left side

**SR** = return at the right side

All handings based on viewing desk from visitor side

## Examples

**LBP-2W** Curved 2 person desk with central 1200mm lightbox section flanked left and right by low level desktop sections

**LCP-1WR** Straight 1 person desk with 1200mm lightbox section to the right and straight low level desktop section to the left.

## Finishes

evolution® light reception desks are available in all the standard evolution® plain colour and woodgrain laminates with the PVC desktop edging available in 10 standard finishes.

Counter caps are available in clear, grey or blue glass.

There are six colours plus white from which to select for the lightbox back-lit front panel.

The lightbox surround can be specified in any of the standard real wood veneers or white, graphite or silver lacquer as standard.

See colour brochure for finish options.

\*For information on applying logos and graphics to the back-lit front panel, call our sales support team on 01908 391600.



LBP-2WC

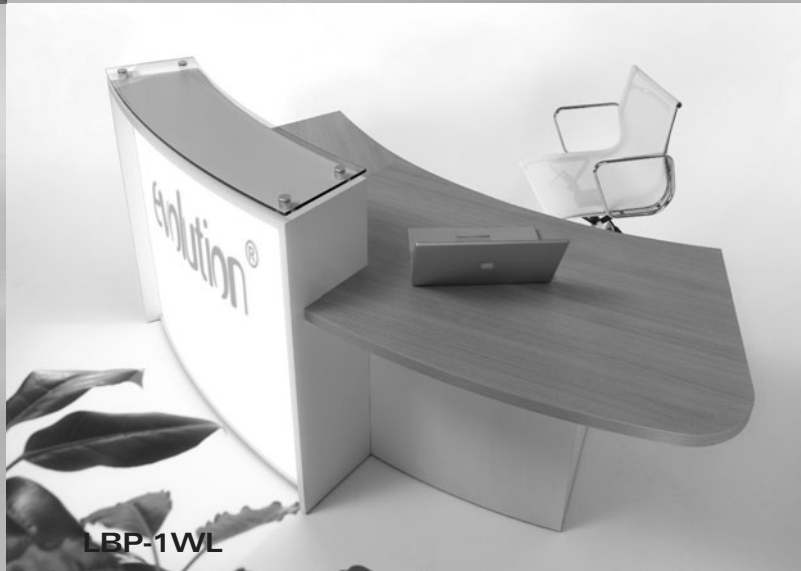


evolution® light

LCP-1WL



LCP-2W



LBP-1WL

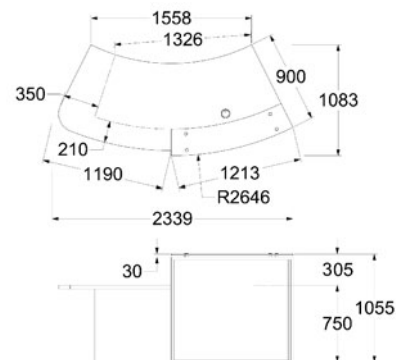
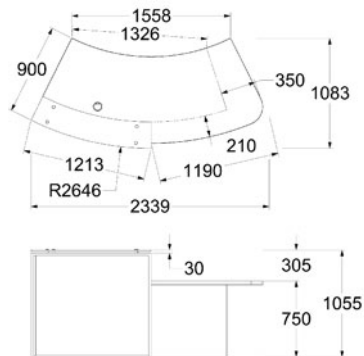
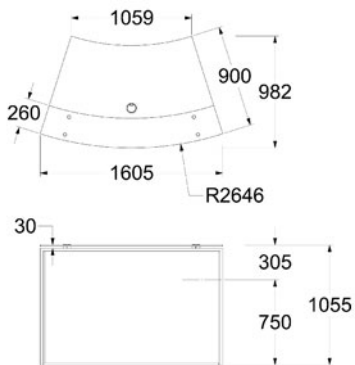
### LBP Compact



### LBP-1WL



### LBP-1WR



For retail prices and dealer information call

**01908 391600**

For retail prices and dealer information call

**01908 391600**

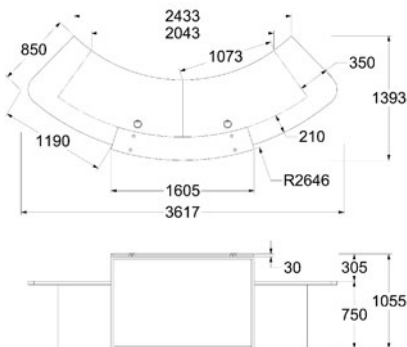
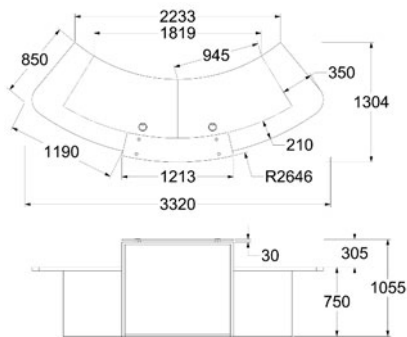
For retail prices and dealer information call

**01908 391600**

**LBP-2W**



**LBP-2WC**



For retail prices and dealer information call

**01908 391600**

For retail prices and dealer information call

**01908 391600**

**30 evolution® light straight lightbox reception desks**

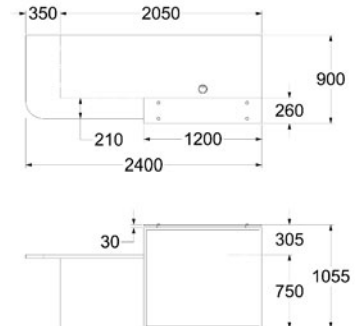
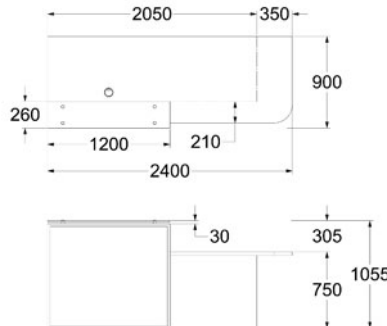
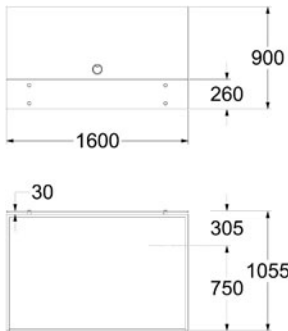
**LCP Compact**



**LCP-1WL**



**LCP-1WR**



For retail prices and dealer information call

**01908 391600**

For retail prices and dealer information call

**01908 391600**

For retail prices and dealer information call

**01908 391600**



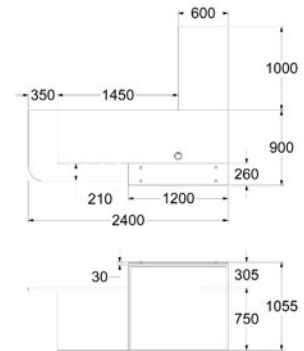
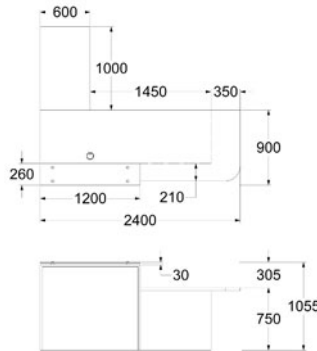
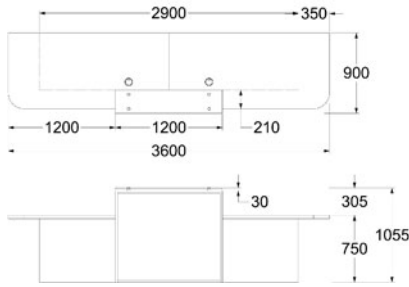
**LCP-2W**



**LCP-1WL-SL**



**LCP-1WR-SR**



For retail prices and dealer information call

**01908 391600**

For retail prices and dealer information call

**01908 391600**

For retail prices and dealer information call

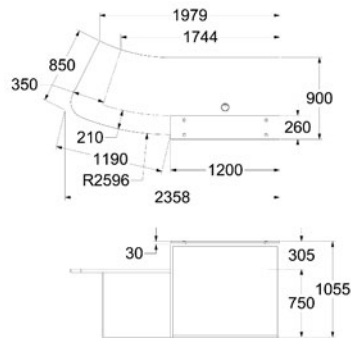
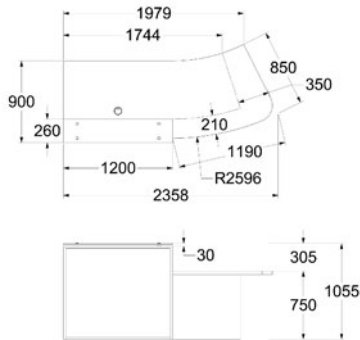
**01908 391600**

**32 evolution® light combination straight/curved reception desks**

**LCBP-1WL**



**LCBP-1WR**



For retail prices and dealer information call

**01908 391600**

For retail prices and dealer information call

**01908 391600**

Don't forget that as well as all the evolution® standard products available from Clarke Rendall, we also continue to produce some of the finest bespoke boardroom and conference room tables in the country.



### Desk shape

**B** = curved desk

**C** = straight desk

**CB** = combination straight/curved desk

### Type of upstand/screen

**Z** = single section shaped privacy screen in white, green or blue etch effect film acrylic, plain/woodgrain laminate or real wood veneer

**1** = etch effect film upstand in white, green or blue with wood counter cap

**2** = etch effect film upstand in white, green or blue and with clear toughened glass counter cap supported by stainless steel fins

Desk top - 26mm thick

### Configuration, size variants & options

**Compact** = 1600mm wide desk

**2** = wider two person option

**L** = upstand to left

**R** = upstand to right

**DDA** = DDA recess option

### L-Shaped desks

**SL** = return at the left side

**SR** = return at the right side

### Plinth option

**NP** = No Plinth - flush face running down to floor

**FP** = Flush plinth - 70mm surface fixed brushed aluminium strip

**RP** = Recessed plinth - 70mm brushed aluminium plinth

All handings based on viewing desk from visitor side

### Examples

**C2-L-NP** Straight desk with etch effect film upstand and stainless steel fins with clear toughened glass counter cap to the left and no plinth.

**BZ-2DDALR-FP** Wide 2 person curved desk with single section shaped privacy panel at left and right, DDA recess and flush plinth.

### Z type acrylic screen

Please note that while the material is more than adequate for the function intended, a small degree of flex may be encountered with the cast acrylic screen.

### Finishes

evolution® classic reception desks are available in a wide range of standard finishes, all plinths are in a brushed aluminium finish.

A number of evolution® classic desks are also available on our evolution® **EXPRESS** 10 working day turnaround if specified in any of the standard woodgrain or plain laminate finishes. These configurations are marked with an asterisk

Please consult your evolution® product range brochure for details of which finishes are available.



**B1-FP**



**C1-NP**



**C2-RP**



**BZ-RP**

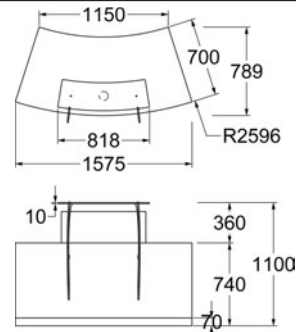
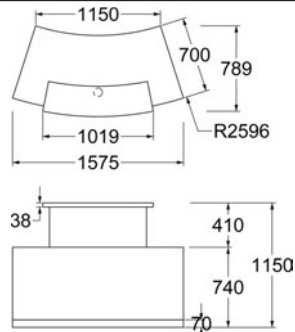
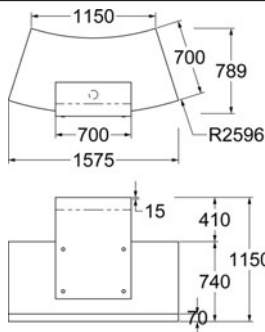
### BZ Compact



### B1 Compact



### B2 Compact



For retail prices and dealer information call  
**01908 391600**

For retail prices and dealer information call  
**01908 391600**

For retail prices and dealer information call  
**01908 391600**

**Plinth Options:**

**-NP** No Plinth

**-FP** 70mm Flush Plinth

**-RP** 70mm Recessed Plinth

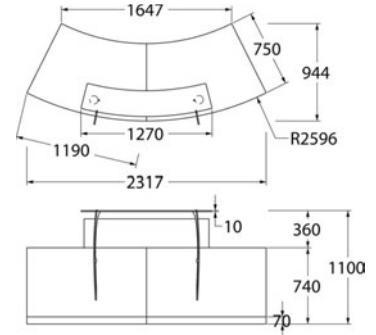
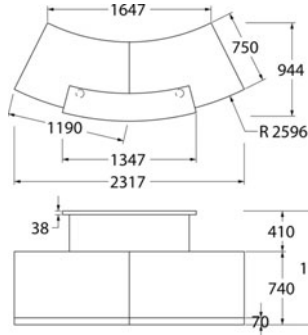
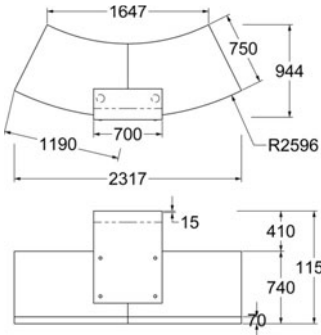
**BZ**



**B1**



**B2**



For retail prices and dealer information call  
**01908 391600**

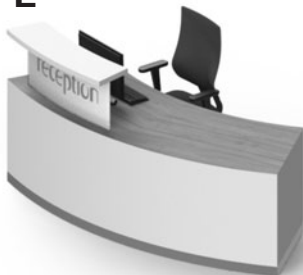
For retail prices and dealer information call  
**01908 391600**

For retail prices and dealer information call  
**01908 391600**

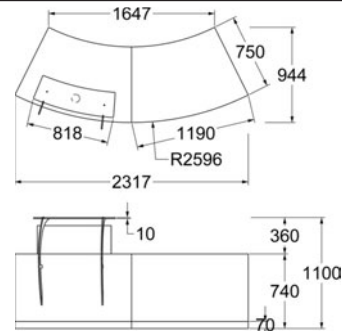
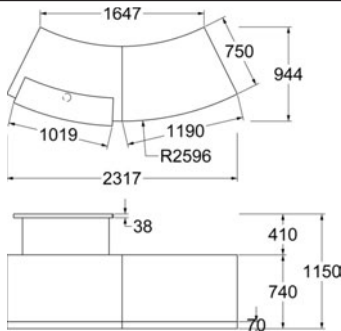
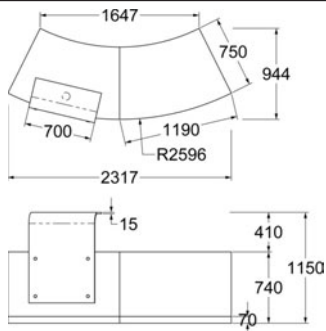
**BZ-L**



**B1-L**



**B2-L**



For retail prices and dealer information call  
**01908 391600**

For retail prices and dealer information call  
**01908 391600**

For retail prices and dealer information call  
**01908 391600**

**Plinth Options:**

**-NP** No Plinth

**-FP** 70mm Flush Plinth

**-RP** 70mm Recessed Plinth



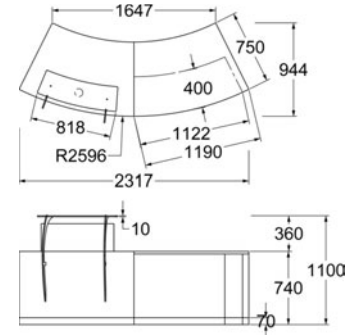
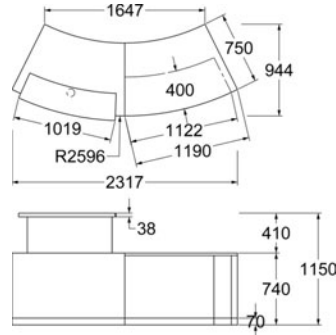
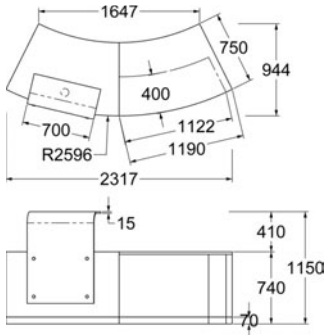
**BZ-DDAL**



**B1-DDAL**



**B2-DDAL**



For retail prices and dealer information call

**01908 391600**

For retail prices and dealer information call

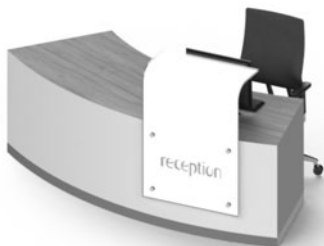
**01908 391600**

For retail prices and dealer information call

**01908 391600**

**40 evolution® classic curved reception desks**

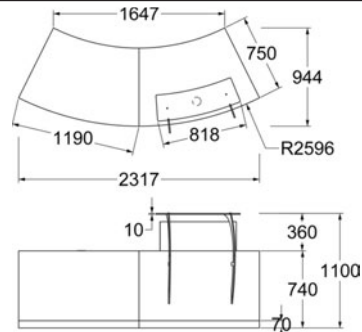
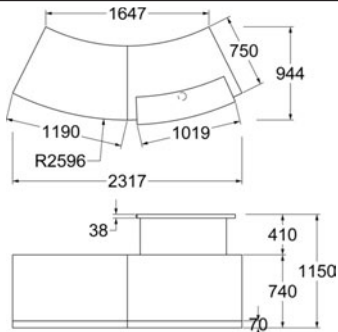
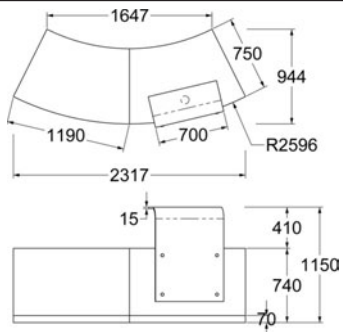
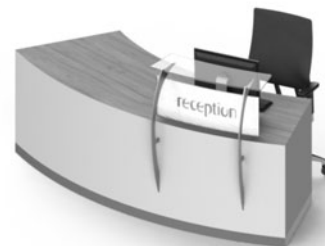
**BZ-R**



**B1-R**



**B2-R**



For retail prices and dealer information call  
**01908 391600**

For retail prices and dealer information call  
**01908 391600**

For retail prices and dealer information call  
**01908 391600**

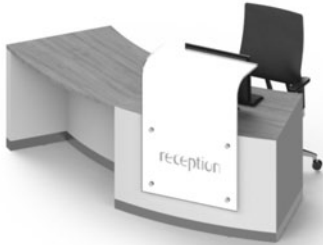
**Plinth Options:**

**-NP** No Plinth

**-FP** 70mm Flush Plinth

**-RP** 70mm Recessed Plinth

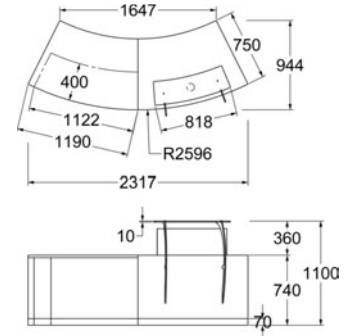
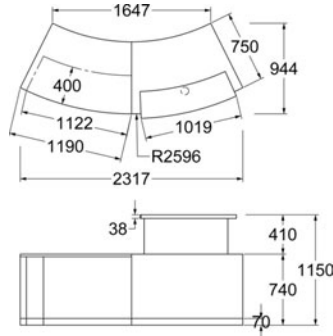
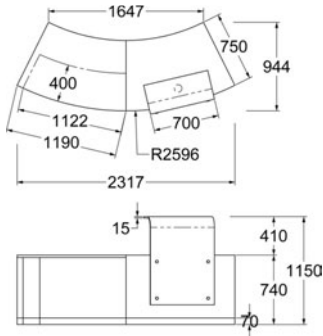
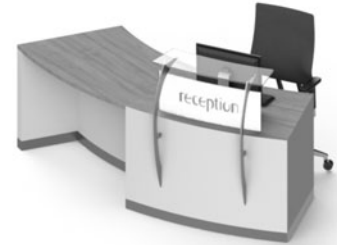
### BZ-DDAR



### B1-DDAR



### B2-DDAR



For retail prices and dealer information call

**01908 391600**

For retail prices and dealer information call

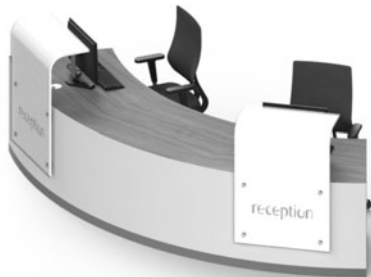
**01908 391600**

For retail prices and dealer information call

**01908 391600**

**42 evolution® classic curved reception desks**

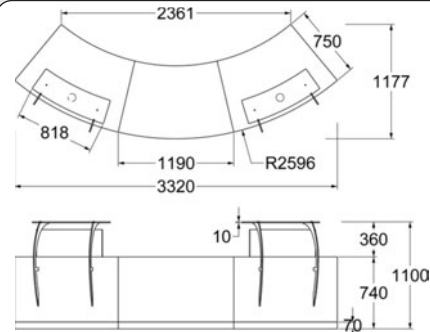
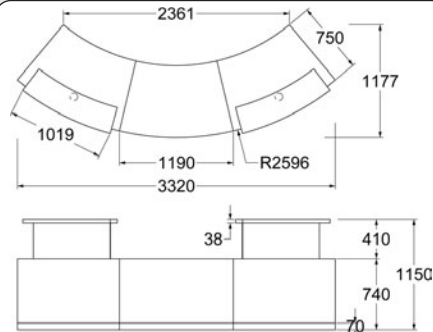
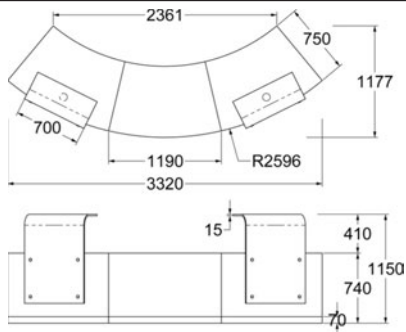
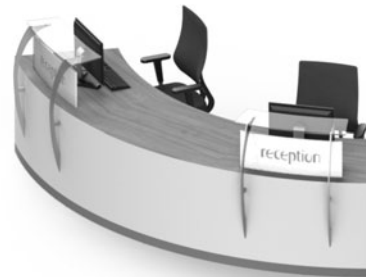
**BZ-2LR**



**B1-2LR**



**B2-2LR**



For retail prices and dealer information call  
**01908 391600**

For retail prices and dealer information call  
**01908 391600**

For retail prices and dealer information call  
**01908 391600**

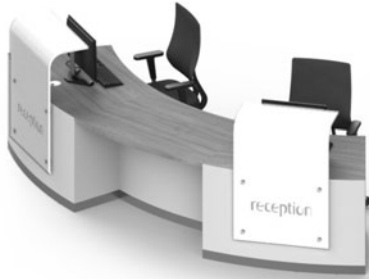
**Plinth Options:**

**-NP** No Plinth

**-FP** 70mm Flush Plinth

**-RP** 70mm Recessed Plinth

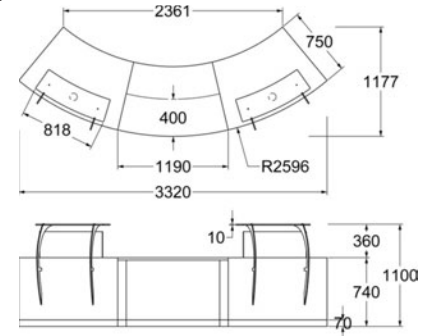
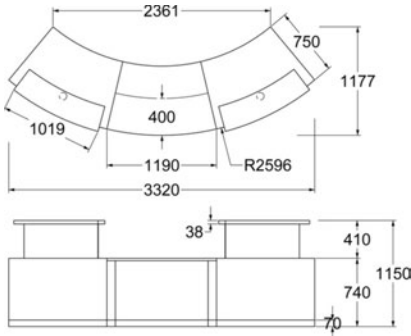
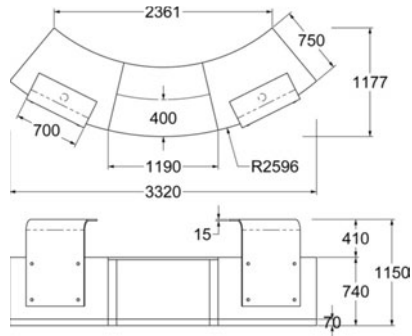
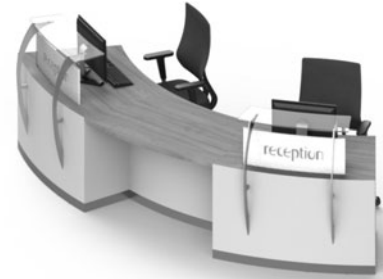
**BZ-2DDALR**



**B1-2DDALR**



**B2-2DDALR**



For retail prices and dealer information call  
**01908 391600**

For retail prices and dealer information call  
**01908 391600**

For retail prices and dealer information call  
**01908 391600**

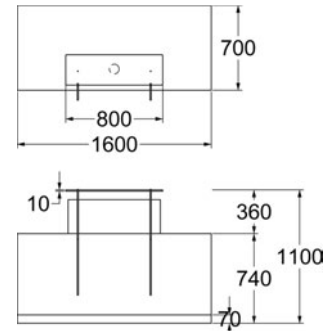
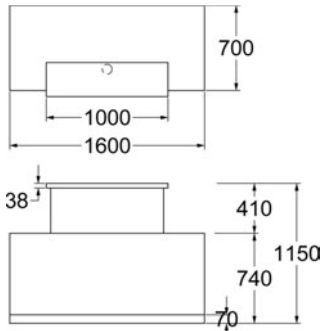
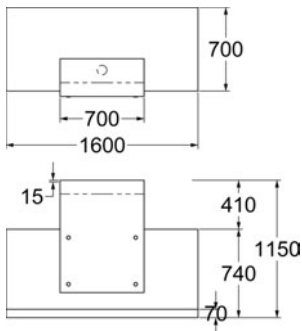
### CZ Compact



### C1 Compact



### C2 Compact



For retail prices and dealer information call  
**01908 391600**

For retail prices and dealer information call  
**01908 391600**

For retail prices and dealer information call  
**01908 391600**

**Plinth Options:**

**-NP** No Plinth

**-FP** 70mm Flush Plinth

**-RP** 70mm Recessed Plinth

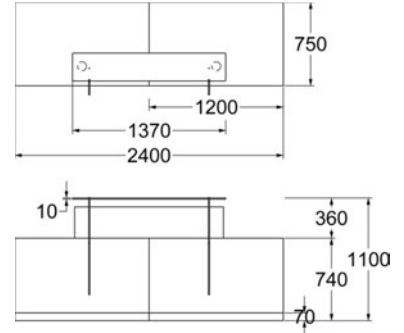
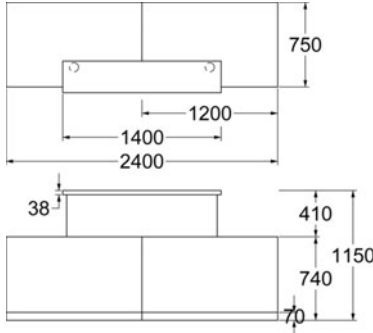
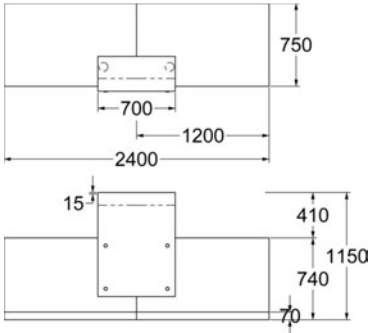
**CZ**



**C1**



**C2**



For retail prices and dealer information call  
**01908 391600**

For retail prices and dealer information call  
**01908 391600**

For retail prices and dealer information call  
**01908 391600**

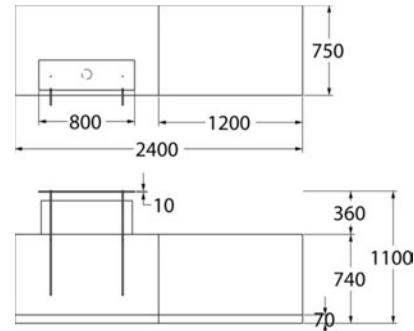
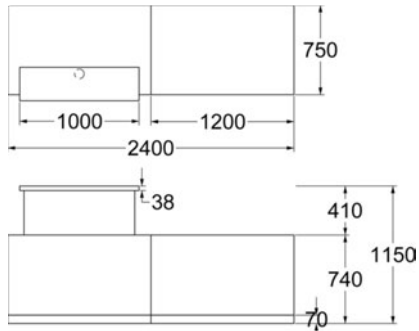
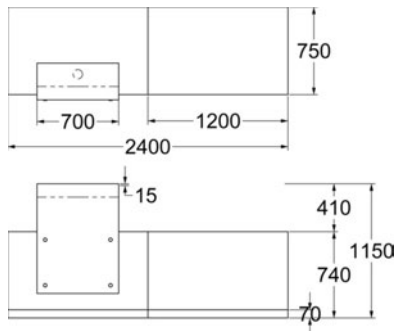
**CZ-L**



**C1-L**



**C2-L**



For retail prices and dealer information call  
**01908 391600**

For retail prices and dealer information call  
**01908 391600**

For retail prices and dealer information call  
**01908 391600**

**Plinth Options:**

**-NP** No Plinth

**-FP** 70mm Flush Plinth

**-RP** 70mm Recessed Plinth



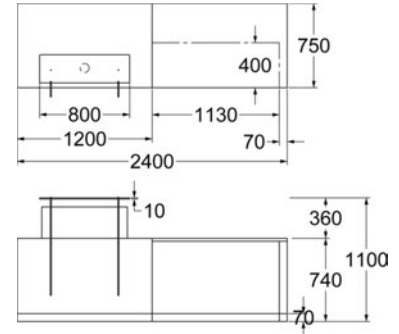
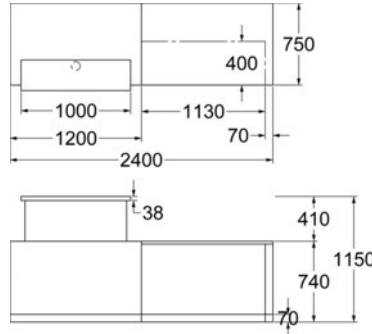
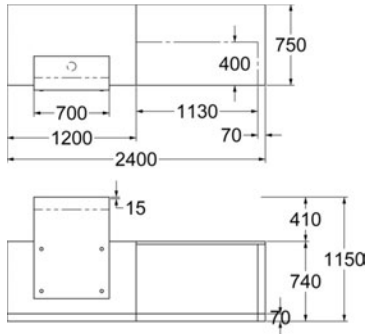
**CZ-DDAL**



**C1-DDAL**



**C2-DDAL**

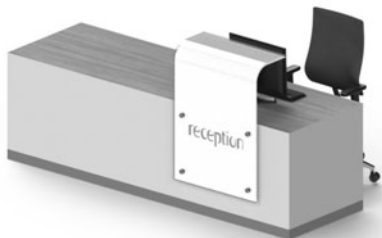


For retail prices and dealer information call  
**01908 391600**

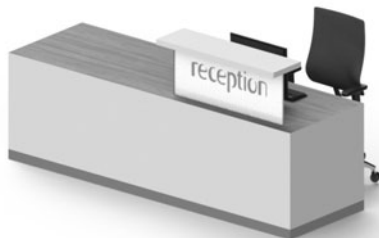
For retail prices and dealer information call  
**01908 391600**

For retail prices and dealer information call  
**01908 391600**

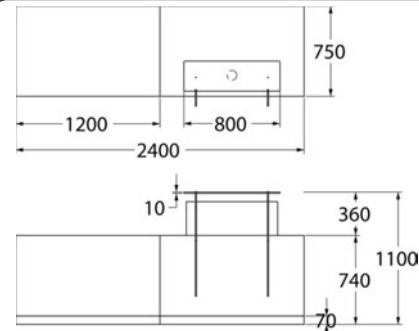
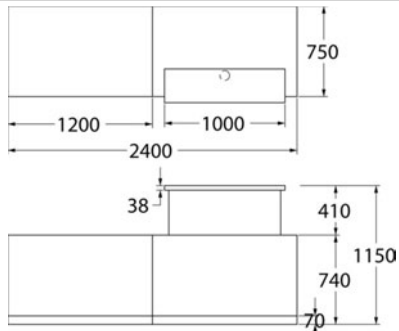
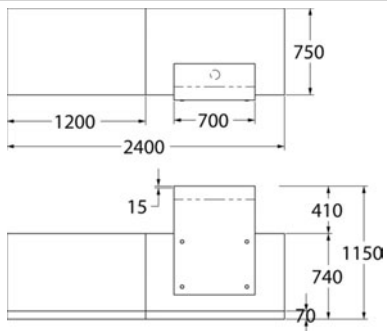
**CZ-R**



**C1-R**



**C2-R**



For retail prices and dealer information call  
**01908 391600**

For retail prices and dealer information call  
**01908 391600**

For retail prices and dealer information call  
**01908 391600**

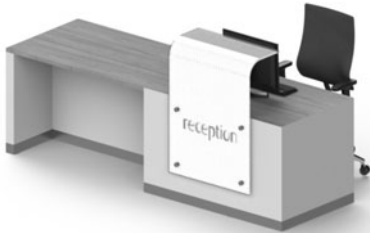
**Plinth Options:**

**-NP** No Plinth

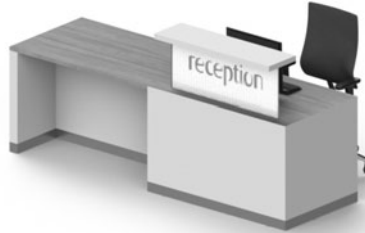
**-FP** 70mm Flush Plinth

**-RP** 70mm Recessed Plinth

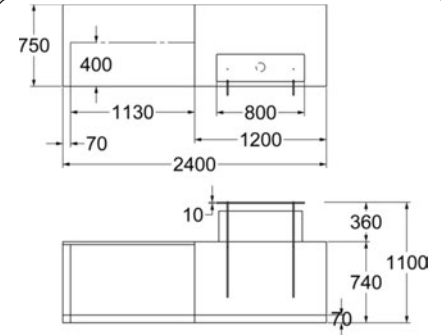
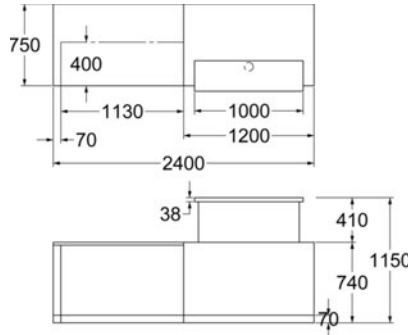
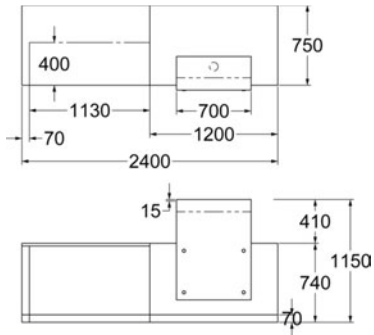
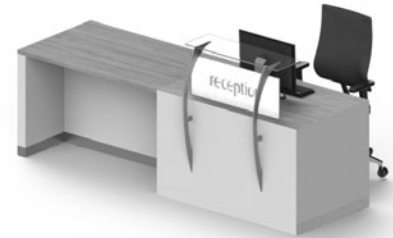
### CZ-DDAR



### C1-DDAR



### C2-DDAR



For retail prices and dealer information call  
**01908 391600**

For retail prices and dealer information call  
**01908 391600**

For retail prices and dealer information call  
**01908 391600**

**50 evolution® classic** straight/curved reception desks

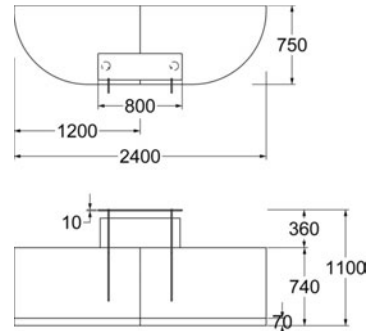
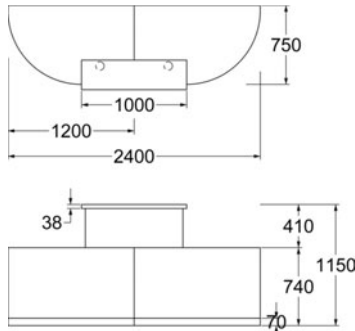
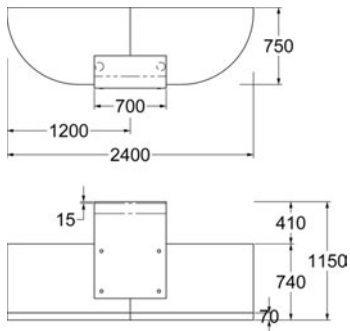
**CBZ**



**CB1**



**CB2**



For retail prices and dealer information call  
**01908 391600**

For retail prices and dealer information call  
**01908 391600**

For retail prices and dealer information call  
**01908 391600**

**Plinth Options:**

**-NP** No Plinth

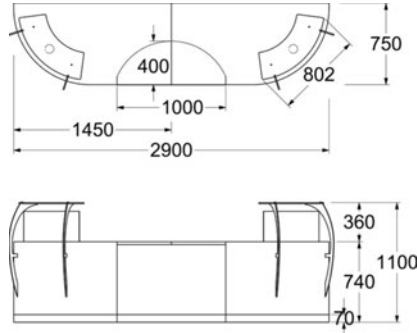
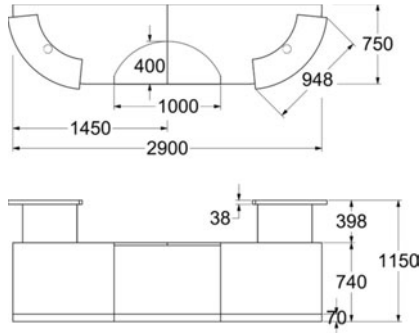
**-FP** 70mm Flush Plinth

**-RP** 70mm Recessed Plinth

**CB1-DDALR**



**CB2-DDALR**



For retail prices and dealer information call

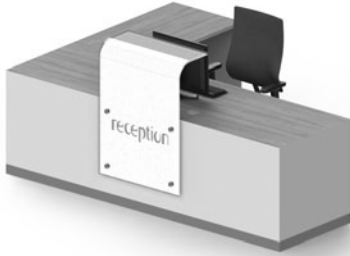
**01908 391600**

For retail prices and dealer information call

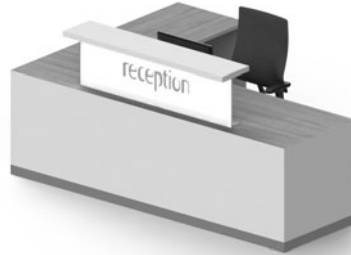
**01908 391600**

**52 evolution® classic** straight reception desks with return

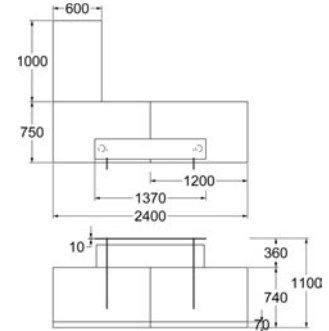
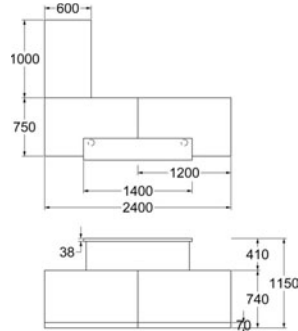
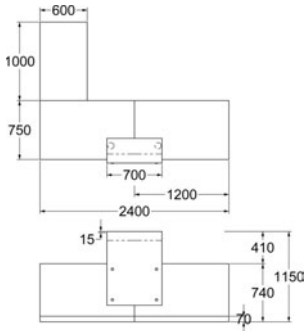
**CZ-SL**



**C1-SL**



**C2-SL**



For retail prices and dealer information call  
**01908 391600**

For retail prices and dealer information call  
**01908 391600**

For retail prices and dealer information call  
**01908 391600**

**Plinth Options:**

**-NP** No Plinth

**-FP** 70mm Flush Plinth

**-RP** 70mm Recessed Plinth

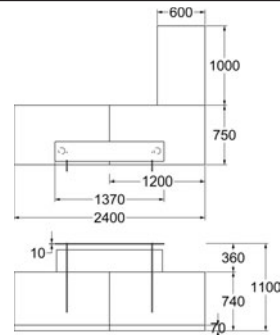
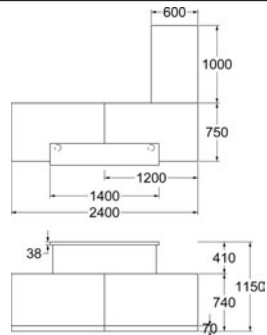
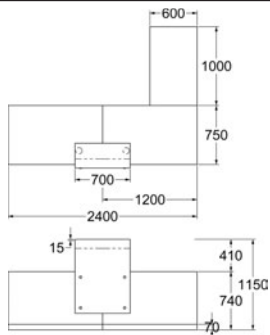
**CZ-SR**



**C1-SR**



**C2-SR**



For retail prices and dealer information call  
**01908 391600**

For retail prices and dealer information call  
**01908 391600**

For retail prices and dealer information call  
**01908 391600**

## Desk shape

**Y** denotes an **eclipse** desk with rebated brushed aluminium shadow gaps

**B** = curved desk

**C** = straight desk

## Type of counter cap

**N** = no glass counter cap

**P** = satin anodised aluminium posts supporting clear, toughened glass counter cap

**K** = stainless steel claws with integral LED lighting supporting sandblasted, toughened glass counter cap

Desk top - 26mm thick - Inside topbox in titanium effect finish

## Configuration, size variants & options

**Compact** = 1600mm wide desk

**1** = standard width one to two person option

**2** = wider two person option

**L** = upstand to left

**R** = upstand to right

**DDA** = DDA recess option

## L-Shaped desks

**SL** = return at the left side

**SR** = return at the right side

## Plinth option

**NP** = No Plinth - flush face running down to floor

**FP** = Flush plinth - 70mm surface fixed brushed aluminium effect strip

**RP** = Recessed plinth - 70mm brushed aluminium effect plinth

All handings based on viewing desk from visitor side

## Examples

**YCK-1L-RP** Straight desk with stainless steel claws with integral LED lighting supporting sandblasted, toughened glass counter cap on the left and recessed plinth

**YBP-2DDA-FP** Wide 2 person curved desk satin anodised aluminium posts supporting clear, toughened glass counter caps, DDA recess and flush plinth

## Finishes

**evolution® eclipse** reception desks are available in a wide range of standard finishes, all plinths and inlay banding are in a brushed aluminium finish.

A number of **evolution® eclipse** desks are also available on our **evolution® EXPRESS** 10 working day turnaround if specified in any of the standard woodgrain or plain laminate finishes. These configurations are marked with an asterix.

Please consult your **evolution®** product range brochure for details of which finishes are available.

**NB** The height of the top box can be increased from 326mm to 406mm (internal dimensions 300mm to 380mm) to accommodate a standard 15" monitor within the counter top. There is no additional charge for this, but it must be noted on all purchase orders if required.





YBK-2-RP



YCP-1-NP



YCN-1DDAL-RP



YBK Compact-FP

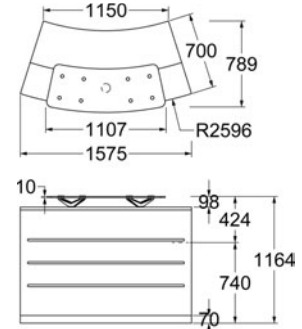
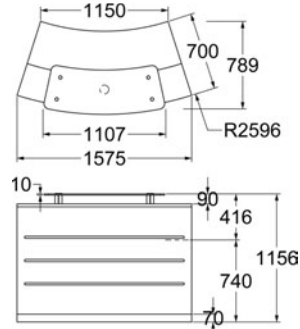
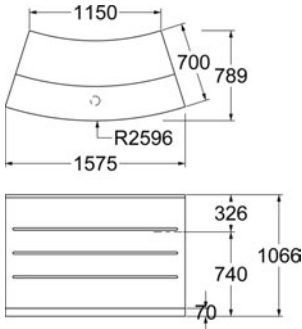
### YBN Compact



### YBP Compact



### YBK Compact



For retail prices and dealer information call

**01908 391600**

For retail prices and dealer information call

**01908 391600**

For retail prices and dealer information call

**01908 391600**

**Plinth Options:**

**-NP** No Plinth

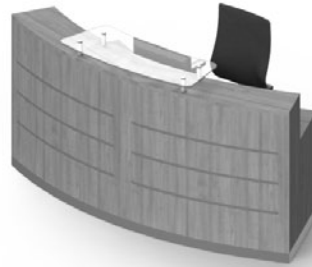
**-FP** 70mm Flush Plinth

**-RP** 70mm Recessed Plinth

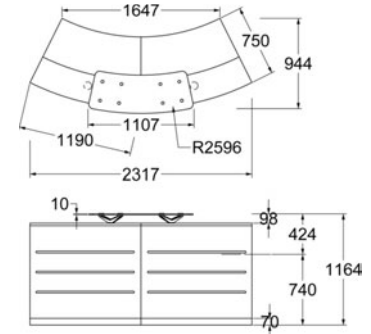
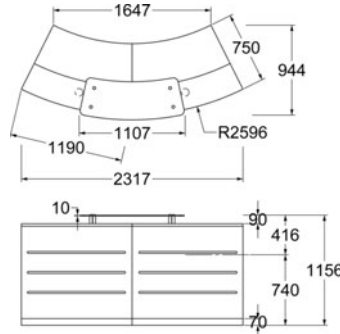
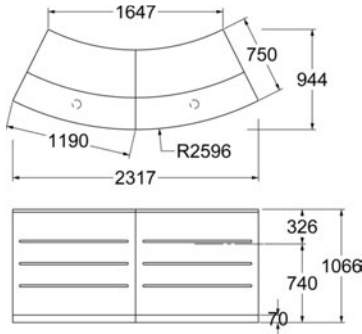
**YBN-1**



**YBP-1**



**YBK-1**



For retail prices and dealer information call  
**01908 391600**

For retail prices and dealer information call  
**01908 391600**

For retail prices and dealer information call  
**01908 391600**

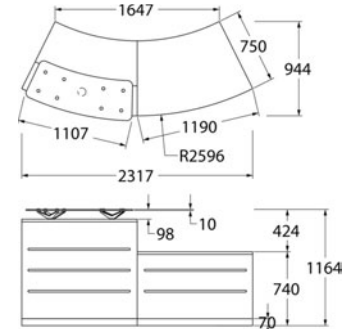
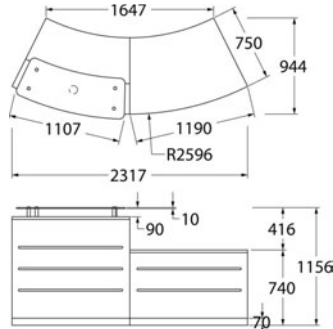
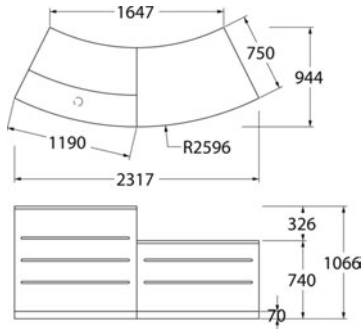
**YBN-1L**



**YBP-1L**



**YBK-1L**



For retail prices and dealer information call  
**01908 391600**

For retail prices and dealer information call  
**01908 391600**

For retail prices and dealer information call  
**01908 391600**

**Plinth Options:**

**-NP** No Plinth

**-FP** 70mm Flush Plinth

**-RP** 70mm Recessed Plinth

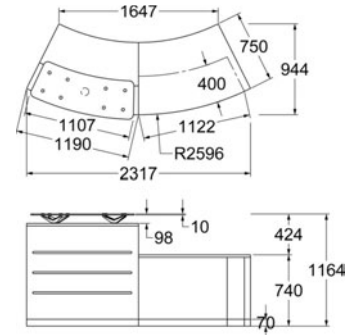
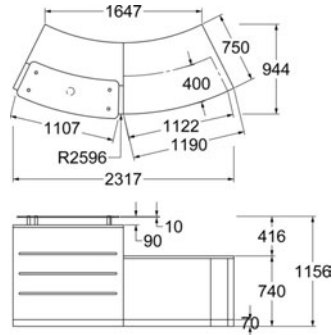
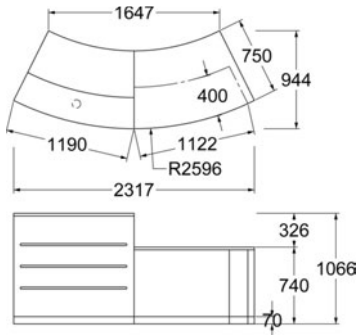
**YBN-1DDAL**



**YBP-1DDAL**



**YBK-1DDAL**



For retail prices and dealer information call  
**01908 391600**

For retail prices and dealer information call  
**01908 391600**

For retail prices and dealer information call  
**01908 391600**

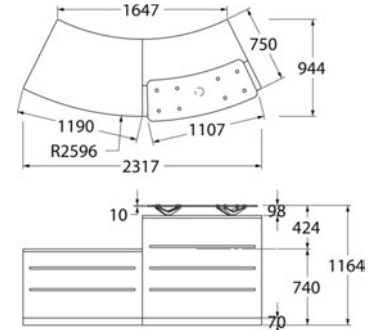
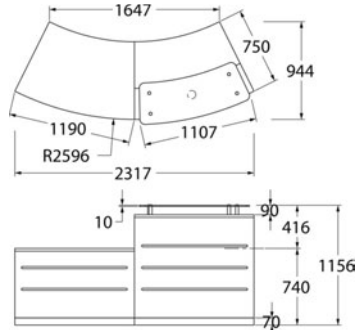
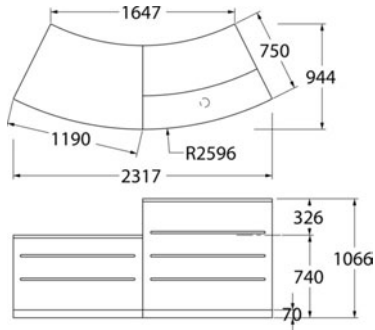
**YBN-1R**



**YBP-1R**



**YBK-1R**



For retail prices and dealer information call  
**01908 391600**

For retail prices and dealer information call  
**01908 391600**

For retail prices and dealer information call  
**01908 391600**

**Plinth Options:**

**-NP** No Plinth

**-FP** 70mm Flush Plinth

**-RP** 70mm Recessed Plinth

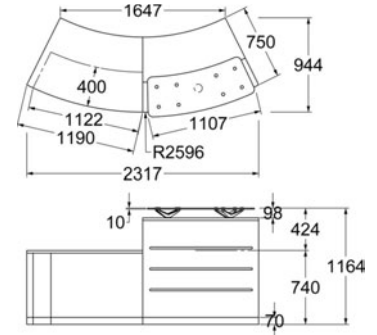
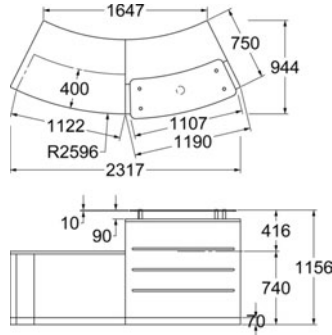
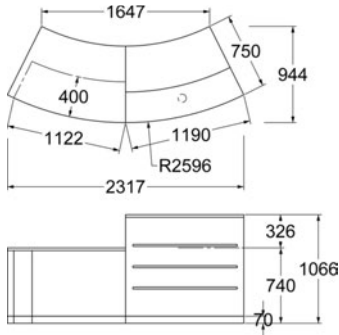
**YBN-1DDAR**



**YBP-1DDAR**



**YBK-1DDAR**



For retail prices and dealer information call  
**01908 391600**

For retail prices and dealer information call  
**01908 391600**

For retail prices and dealer information call  
**01908 391600**

**62 evolution® eclipse curved reception desks**

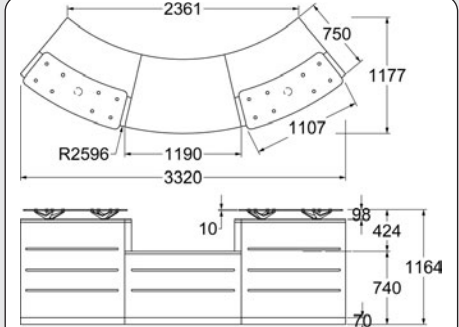
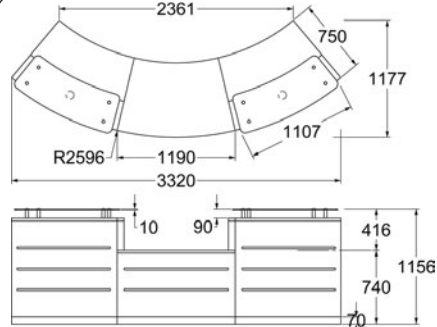
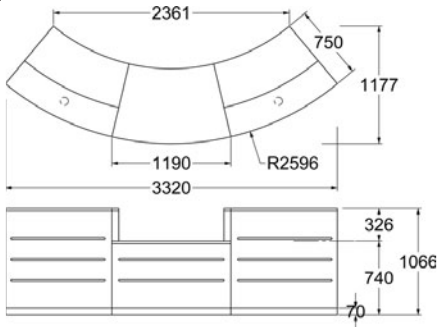
**YBN-2**



**YBP-2**



**YBK-2**



For retail prices and dealer information call  
**01908 391600**

For retail prices and dealer information call  
**01908 391600**

For retail prices and dealer information call  
**01908 391600**

**Plinth Options:**

**-NP** No Plinth

**-FP** 70mm Flush Plinth

**-RP** 70mm Recessed Plinth



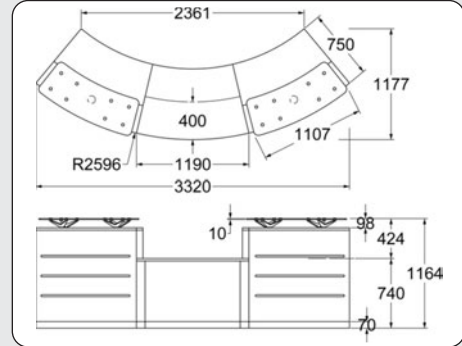
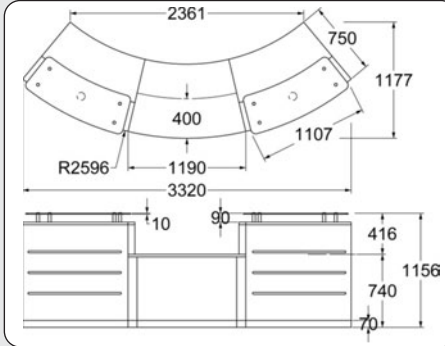
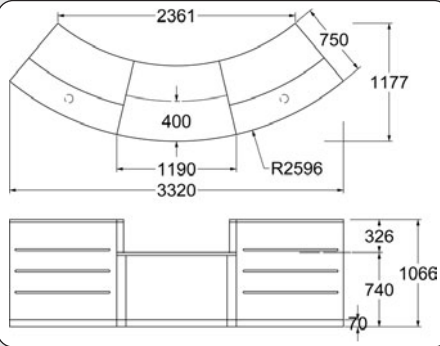
**YBN-2DDA**



**YBP-2DDA**



**YBK-2DDA**



For retail prices and dealer information call  
**01908 391600**

For retail prices and dealer information call  
**01908 391600**

For retail prices and dealer information call  
**01908 391600**

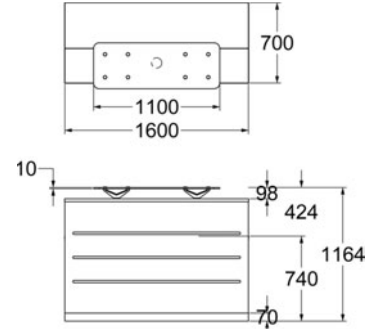
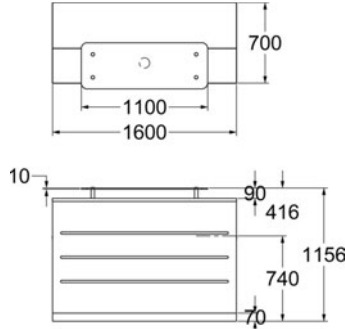
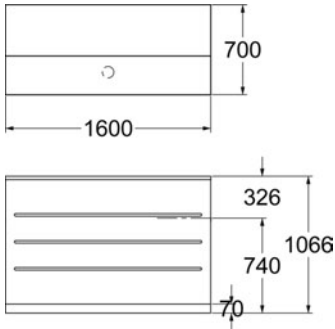
**YCN Compact**



**YCP Compact**



**YCK Compact**



For retail prices and dealer information call  
**01908 391600**

For retail prices and dealer information call  
**01908 391600**

For retail prices and dealer information call  
**01908 391600**

**Plinth Options:**

**-NP** No Plinth

**-FP** 70mm Flush Plinth

**-RP** 70mm Recessed Plinth

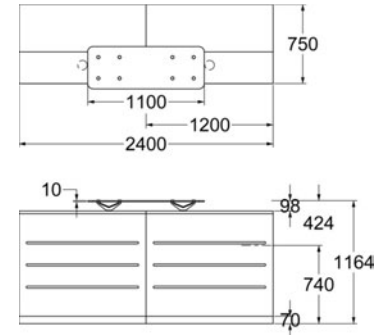
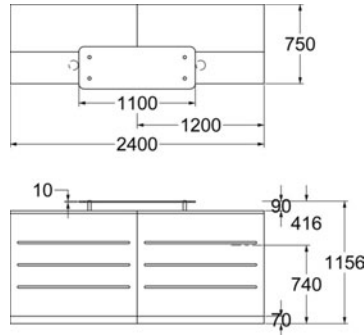
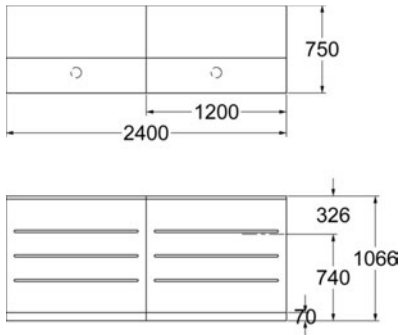
**YCN-1**



**YCP-1**



**YCK-1**



For retail prices and dealer information call  
**01908 391600**

For retail prices and dealer information call  
**01908 391600**

For retail prices and dealer information call  
**01908 391600**

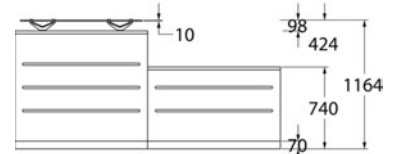
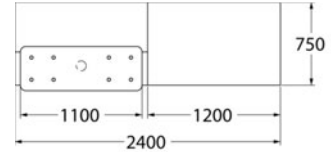
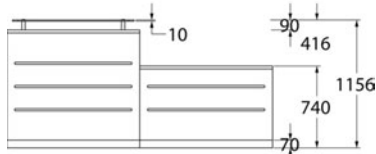
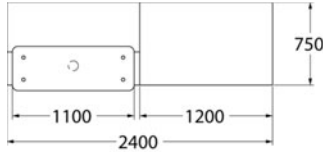
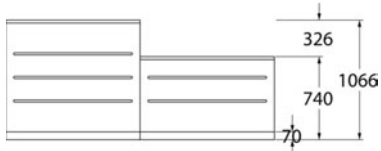
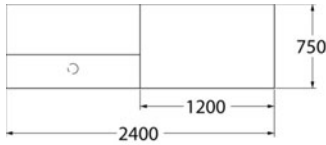
YCN-1L



YCP-1L



YCK-1L



For retail prices and dealer information call

**01908 391600**

For retail prices and dealer information call

**01908 391600**

For retail prices and dealer information call

**01908 391600**

**Plinth Options:**

**-NP** No Plinth

**-FP** 70mm Flush Plinth

**-RP** 70mm Recessed Plinth

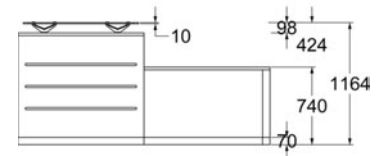
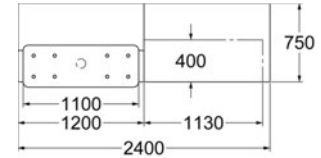
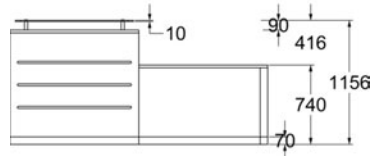
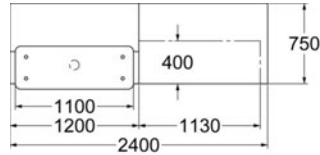
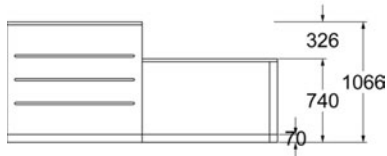
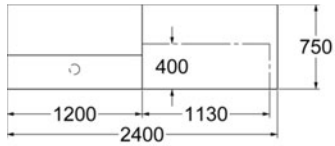
**YCN-1DDAL**



**YCP-1DDAL**



**YCK-1DDAL**



For retail prices and dealer information call

**01908 391600**

For retail prices and dealer information call

**01908 391600**

For retail prices and dealer information call

**01908 391600**

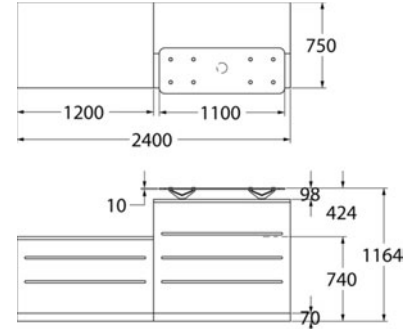
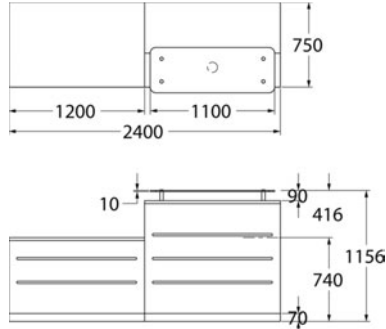
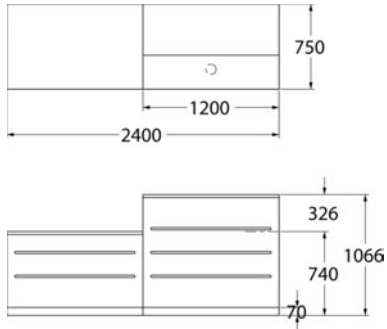
**YCN-1R**



**YCP-1R**



**YCK-1R**



For retail prices and dealer information call  
**01908 391600**

For retail prices and dealer information call  
**01908 391600**

For retail prices and dealer information call  
**01908 391600**

**Plinth Options:**

**-NP** No Plinth

**-FP** 70mm Flush Plinth

**-RP** 70mm Recessed Plinth

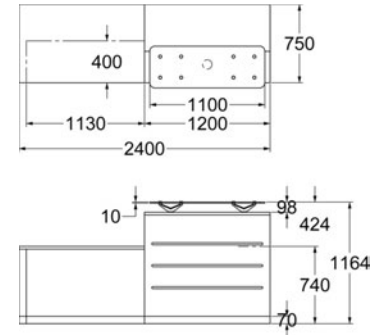
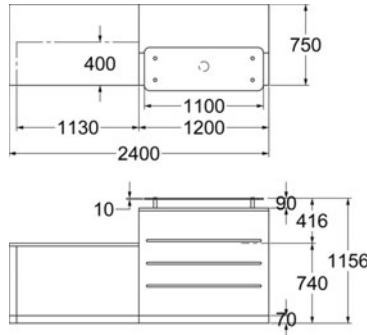
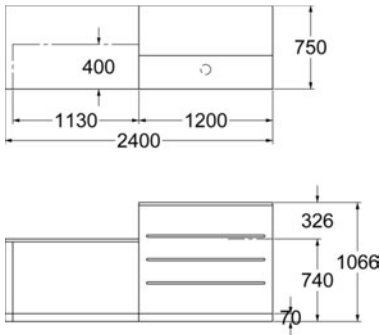
**YCN-1DDAR**



**YCP-1DDAR**



**YCK-1DDAR**



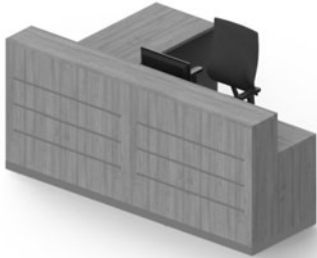
For retail prices and dealer information call  
**01908 391600**

For retail prices and dealer information call  
**01908 391600**

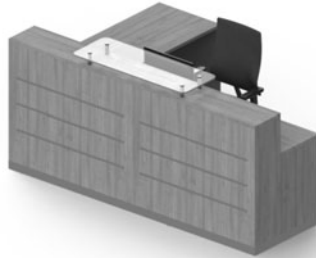
For retail prices and dealer information call  
**01908 391600**

**70 evolution® eclipse** straight reception desks with return

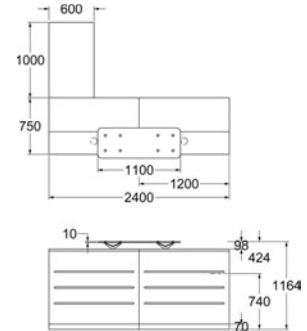
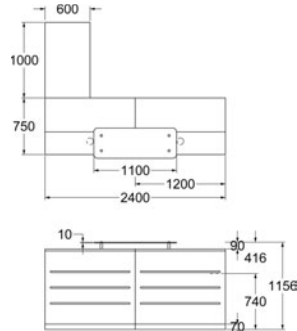
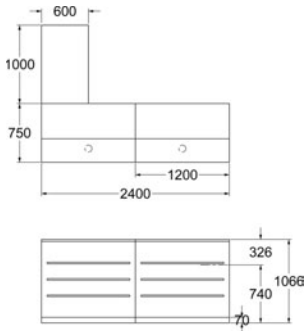
**YCN-1SL**



**YCP-1SL**



**YCK-1SL**



For retail prices and dealer information call  
**01908 391600**

For retail prices and dealer information call  
**01908 391600**

For retail prices and dealer information call  
**01908 391600**

**Plinth Options:**

**-NP** No Plinth

**-FP** 70mm Flush Plinth

**-RP** 70mm Recessed Plinth



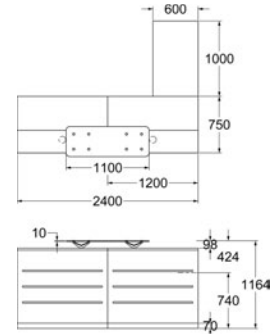
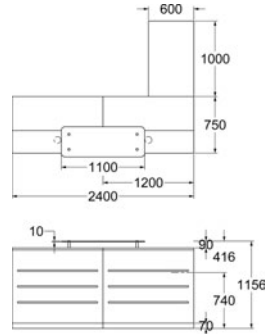
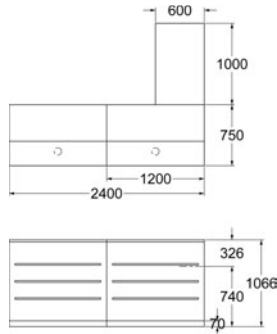
**YCN-1SR**



**YCP-1SR**



**YCK-1SR**



For retail prices and dealer information call  
**01908 391600**

For retail prices and dealer information call  
**01908 391600**

For retail prices and dealer information call  
**01908 391600**

## Desk shape

**E** denotes an **elite** desk with feature inlay banding

**B** = curved desk

**C** = straight desk

## Type of counter cap

**No Letter** = stainless steel claw uprights with integral LED up and down lighting supporting sandblasted, toughened glass counter cap

**P** = satin anodised aluminium posts supporting clear toughened glass counter cap

**K** = top mounted stainless steel claws supporting sandblasted, toughened glass counter cap with integral LED lighting

Desk top - 26mm thick

## Configuration, size variants & options

**Compact** = 1600mm wide desk

**DDA** = DDA recess option

## L-Shaped desks

**SL** = return at the left side

**SR** = return at the right side

## Plinth option

**NP** = No Plinth - flush face running down to floor

**FP** = Flush plinth - 70mm surface fixed brushed aluminium strip

**RP** = Recessed plinth - 70mm brushed aluminium plinth

All handings based on viewing desk from visitor side

## Examples

**EBP3-DDA-NP** Curved desk with satin anodised aluminium posts supporting clear toughened glass counter cap, DDA recess and no plinth.

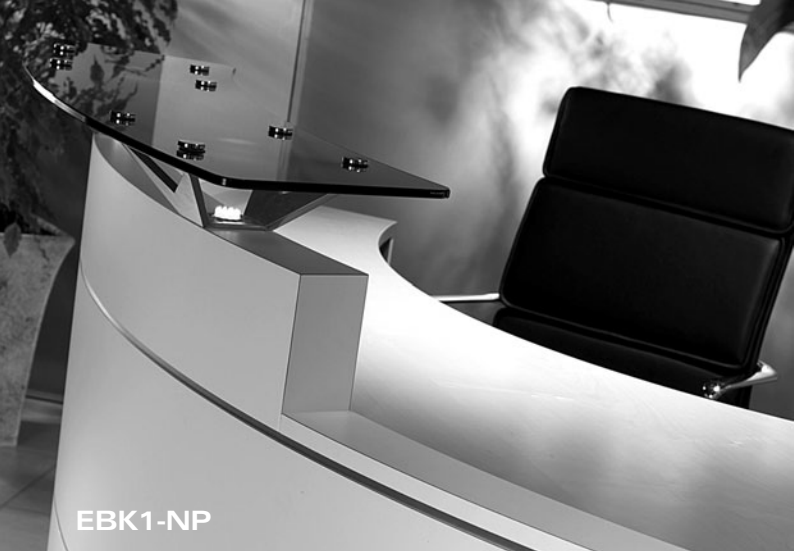
**EC1-RP** Straight desk with stainless steel claw uprights with integral LED lighting supporting sandblasted, toughened glass counter cap and recessed plinth.

## Finishes

evolution® elite reception desks are available in a wide range of standard finishes, all plinths and inlay banding are in a brushed aluminium finish.

A number of evolution® elite desks are also available on our evolution® **EXPRESS** 10 working day turnaround if specified in any of the standard woodgrain or plain laminate finishes. These configurations are marked with an asterix.

Please consult your evolution® product range brochure for details of which finishes are available.



EBK1-NP



EBP4-DDA-RP



EBP2-FP



EC3-DDA-RP

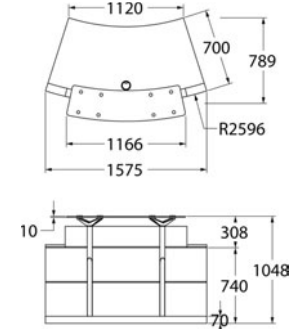
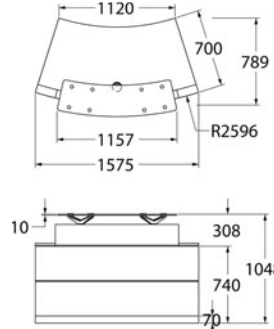
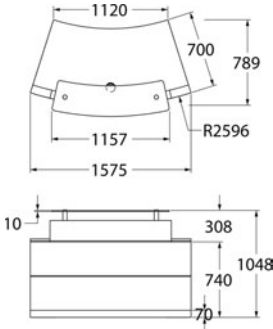
**EBP Compact**



**EBK Compact**



**EB Compact**



For retail prices and dealer information call

**01908 391600**

For retail prices and dealer information call

**01908 391600**

For retail prices and dealer information call

**01908 391600**

**Plinth Options:**

**-NP** No Plinth

**-FP** 70mm Flush Plinth

**-RP** 70mm Recessed Plinth

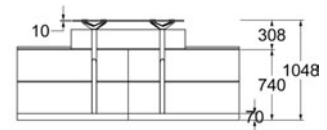
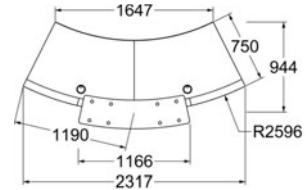
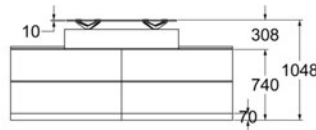
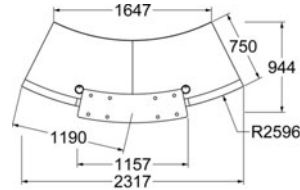
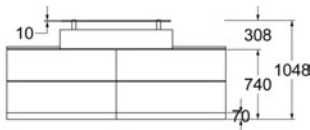
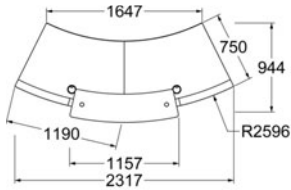
**EBP1**



**EBK1**



**EB1**



For retail prices and dealer information call

**01908 391600**

For retail prices and dealer information call

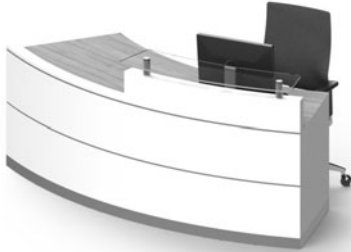
**01908 391600**

For retail prices and dealer information call

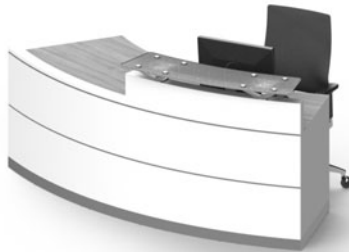
**01908 391600**

**76 evolution® elite** curved reception desks

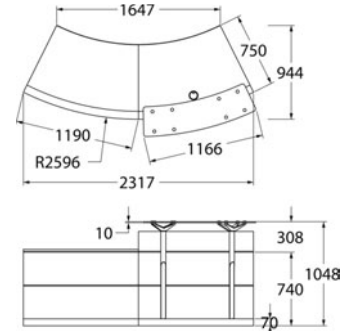
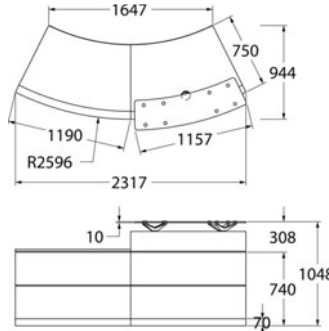
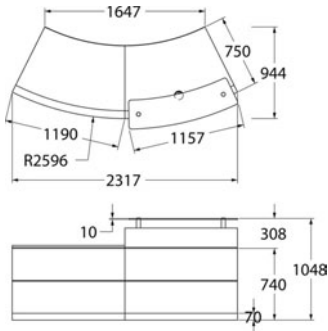
**EBP2**



**EBK2**



**EB2**



For retail prices and dealer information call

**01908 391600**

For retail prices and dealer information call

**01908 391600**

For retail prices and dealer information call

**01908 391600**

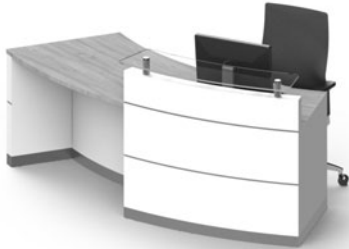
**Plinth Options:**

**-NP** No Plinth

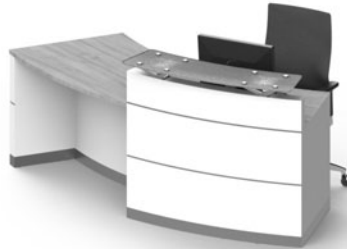
**-FP** 70mm Flush Plinth

**-RP** 70mm Recessed Plinth

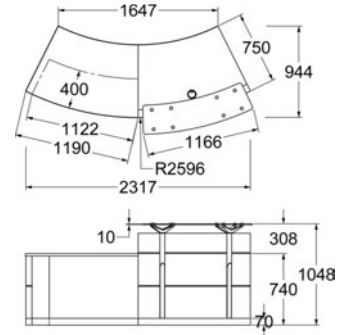
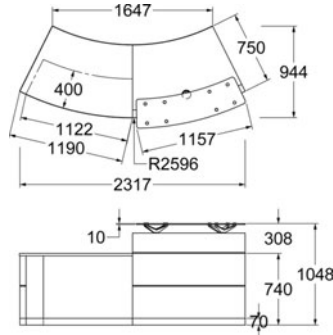
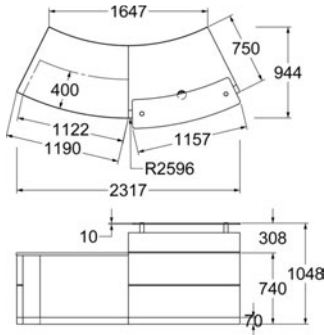
**EBP2-DDA**



**EBK2-DDA**



**EB2-DDA**



For retail prices and dealer information call

**01908 391600**

For retail prices and dealer information call

**01908 391600**

For retail prices and dealer information call

**01908 391600**

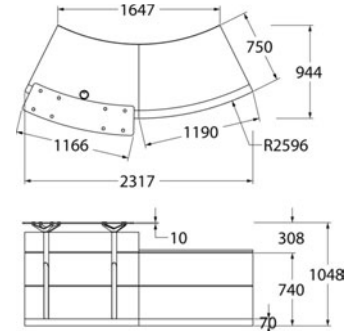
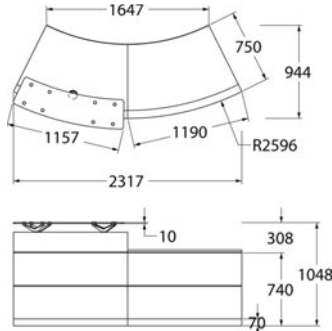
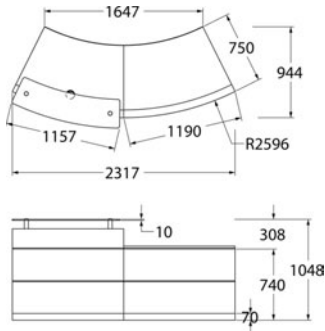
**EBP3**



**EBK3**



**EB3**



For retail prices and dealer information call

**01908 391600**

For retail prices and dealer information call

**01908 391600**

For retail prices and dealer information call

**01908 391600**

**Plinth Options:**

**-NP** No Plinth

**-FP** 70mm Flush Plinth

**-RP** 70mm Recessed Plinth



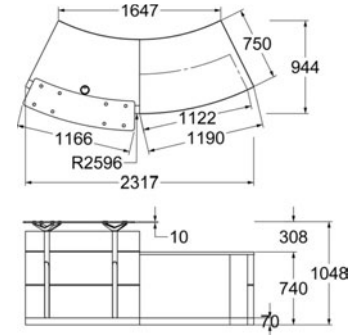
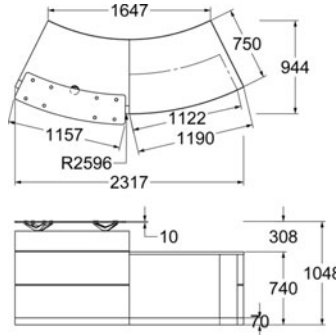
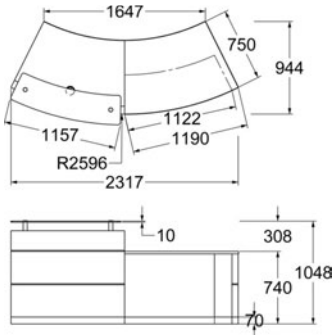
**EBP3-DDA**



**EBK3-DDA**



**EB3-DDA**



For retail prices and dealer information call

**01908 391600**

For retail prices and dealer information call

**01908 391600**

For retail prices and dealer information call

**01908 391600**

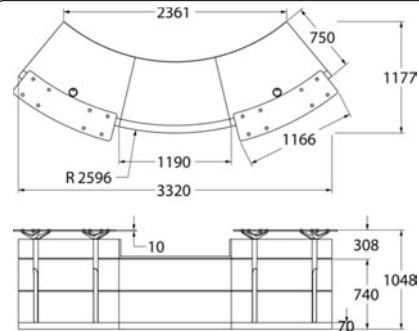
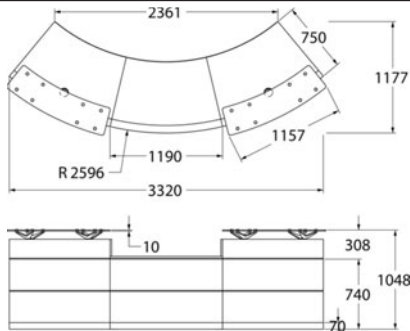
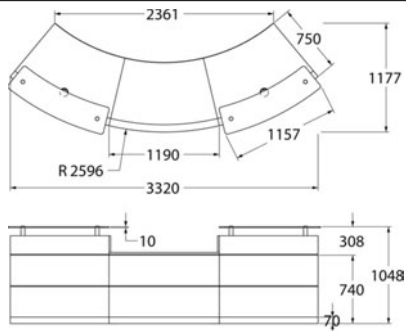
**EBP4**



**EBK4**



**EB4**



For retail prices and dealer information call  
**01908 391600**

For retail prices and dealer information call  
**01908 391600**

For retail prices and dealer information call  
**01908 391600**

**Plinth Options:**

**-NP** No Plinth

**-FP** 70mm Flush Plinth

**-RP** 70mm Recessed Plinth

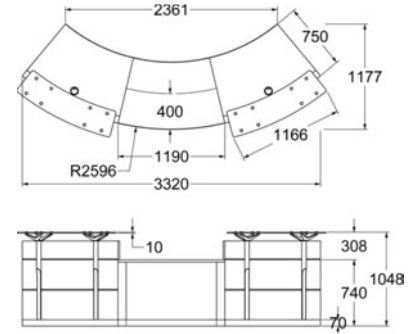
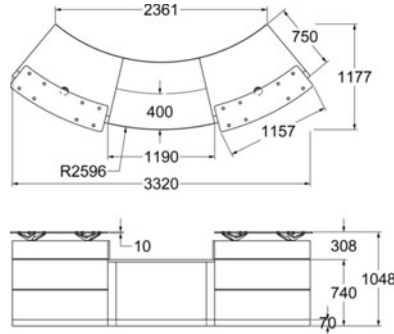
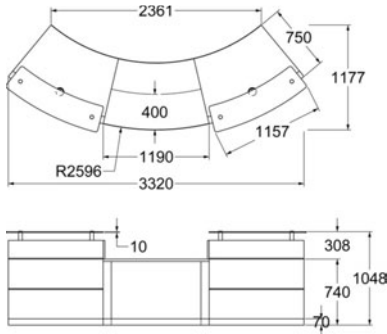
**EBP4-DDA**



**EBK4-DDA**



**EB4-DDA**



For retail prices and dealer information call  
**01908 391600**

For retail prices and dealer information call  
**01908 391600**

For retail prices and dealer information call  
**01908 391600**

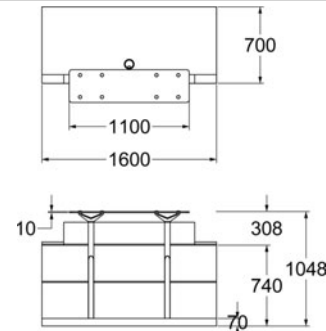
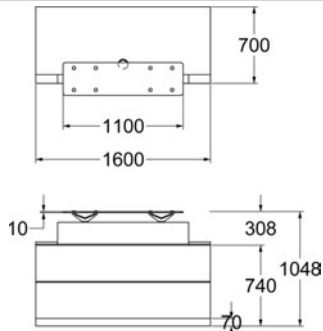
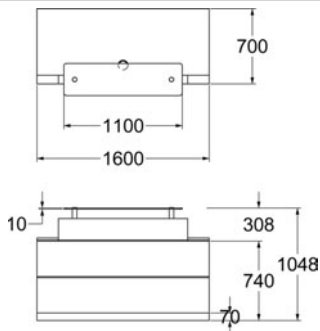
### ECP Compact



### ECK Compact



### EC Compact



For retail prices and dealer information call

**01908 391600**

For retail prices and dealer information call

**01908 391600**

For retail prices and dealer information call

**01908 391600**

**Plinth Options:**

**-NP** No Plinth

**-FP** 70mm Flush Plinth

**-RP** 70mm Recessed Plinth

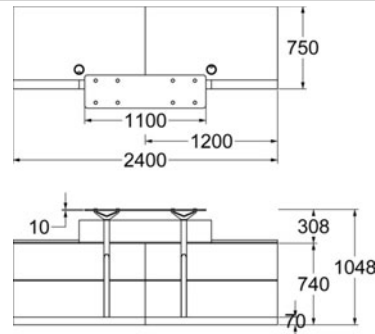
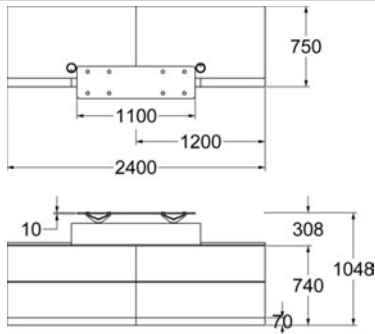
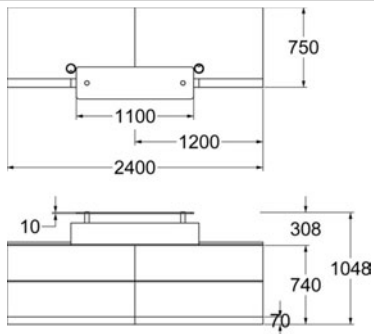
**ECP1**



**ECK1**



**EC1**



For retail prices and dealer information call  
**01908 391600**

For retail prices and dealer information call  
**01908 391600**

For retail prices and dealer information call  
**01908 391600**

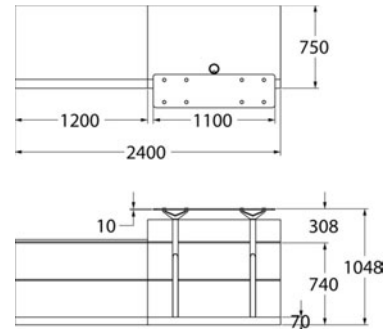
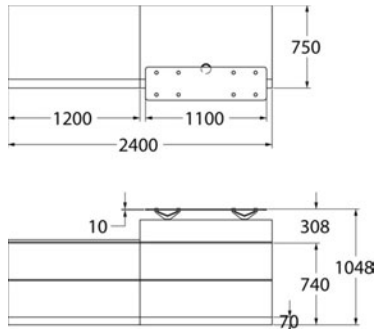
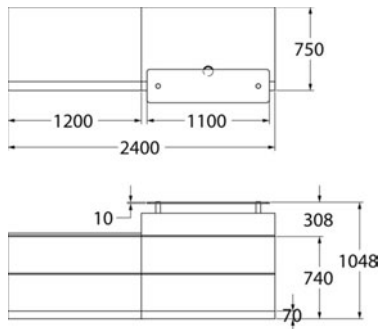
**ECP2**



**ECK2**



**EC2**



For retail prices and dealer information call  
**01908 391600**

For retail prices and dealer information call  
**01908 391600**

For retail prices and dealer information call  
**01908 391600**

**Plinth Options:**

**-NP** No Plinth

**-FP** 70mm Flush Plinth

**-RP** 70mm Recessed Plinth

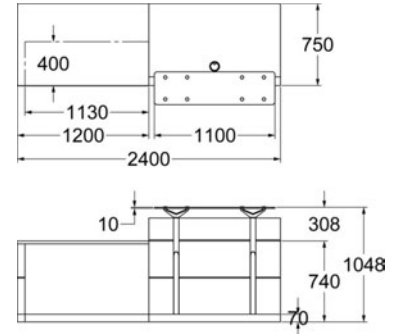
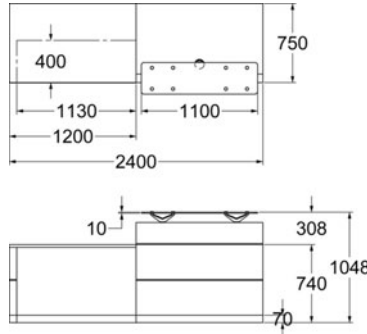
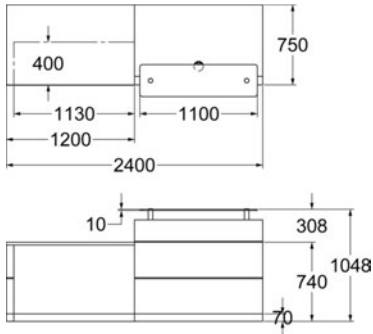
**ECP2-DDA**



**ECK2-DDA**



**EC2-DDA**



For retail prices and dealer information call  
**01908 391600**

For retail prices and dealer information call  
**01908 391600**

For retail prices and dealer information call  
**01908 391600**

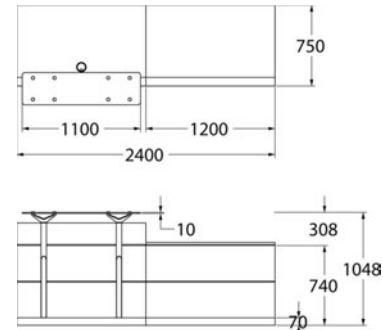
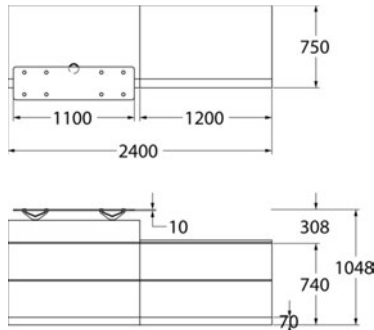
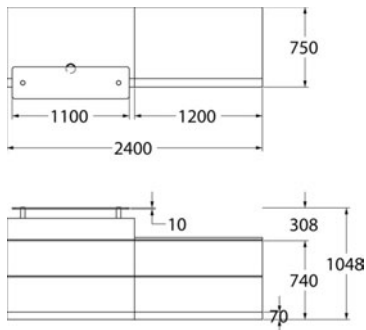
**ECP3**



**ECK3**



**EC3**



For retail prices and dealer information call  
**01908 391600**

For retail prices and dealer information call  
**01908 391600**

For retail prices and dealer information call  
**01908 391600**

**Plinth Options:**

**-NP** No Plinth

**-FP** 70mm Flush Plinth

**-RP** 70mm Recessed Plinth



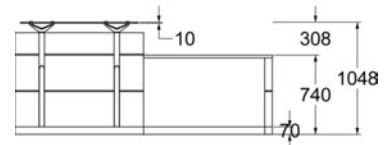
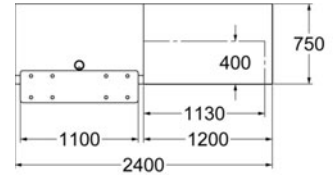
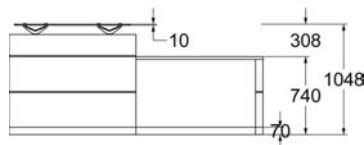
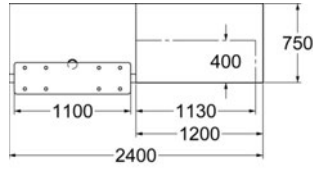
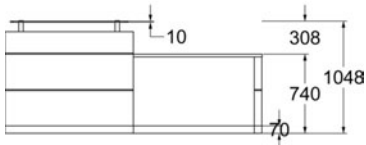
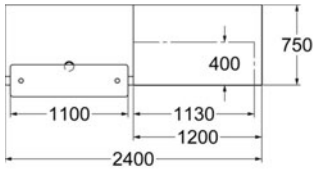
### ECP3-DDA



### ECK3-DDA



### EC3-DDA



For retail prices and dealer information call

**01908 391600**

For retail prices and dealer information call

**01908 391600**

For retail prices and dealer information call

**01908 391600**

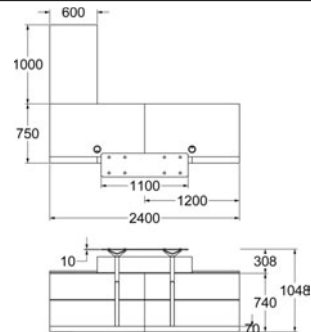
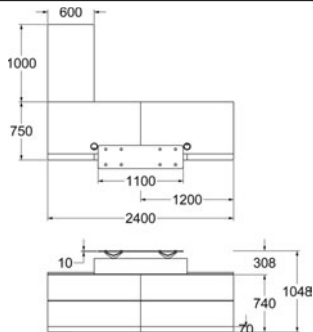
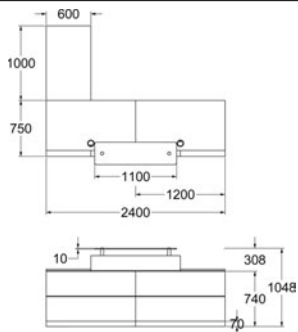
**ECP1-SL**



**ECK1-SL**



**EC1-SL**



For retail prices and dealer information call  
**01908 391600**

For retail prices and dealer information call  
**01908 391600**

For retail prices and dealer information call  
**01908 391600**

**Plinth Options:**

**-NP** No Plinth

**-FP** 70mm Flush Plinth

**-RP** 70mm Recessed Plinth

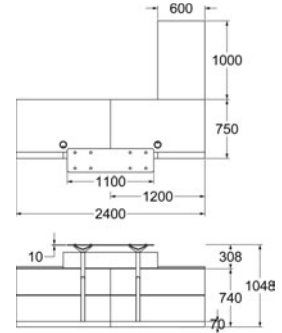
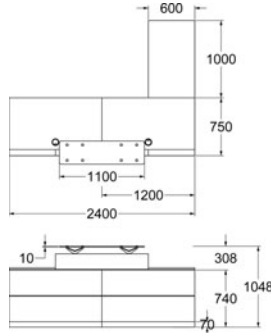
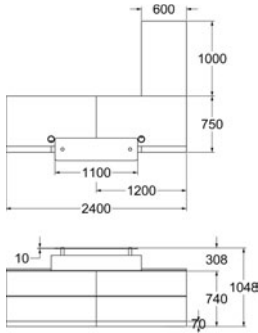
**ECP1-SR**



**ECK1-SR**



**EC1-SR**



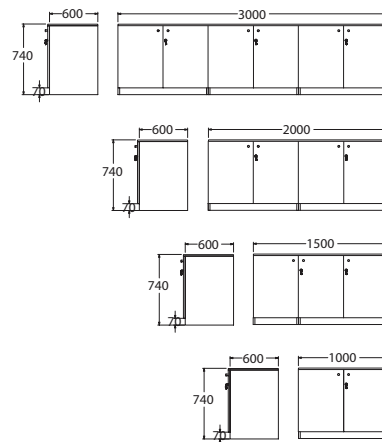
For retail prices and dealer information call  
**01908 391600**

For retail prices and dealer information call  
**01908 391600**

For retail prices and dealer information call  
**01908 391600**

## Credenzas

Credenzas with laminated or veneered door fronts and tops and titanium effect finish carcass



Code	Doors	Size W x D x H (mm)
GS2V	2	1000 x 600 x 740
GS2LM	2	1000 x 600 x 740
GS3V	3	1500 x 600 x 740
GS3LM	3	1500 x 600 x 740
GS4V	4	2000 x 600 x 740
GS4LM	4	2000 x 600 x 740
GS6V	6	3000 x 600 x 740
GS6LM	6	3000 x 600 x 740

EDGE PROFILE  
Finish PVC Hardwood

For retail prices and dealer information call  
**01908 391600**

### 2CDF

Fridge Kit (Credenza not included)

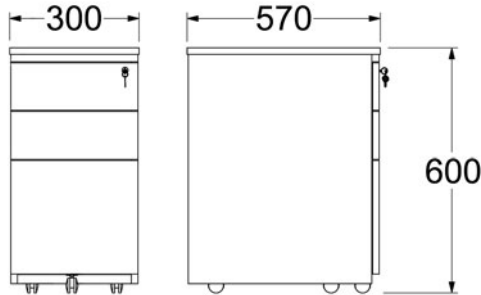


## Pedestal

Metal 3 Drawer Mobile Pedestal

300 x 570 x 600

Other RAL finishes available,  
priced on application



\*When ordered with an evolution® **EXPRESS** desk

All dimensions in mm

## EXPRESS

evolution®  
**EXPRESS**

*Look for the  
express  
stamp!*

## The evolution® **EXPRESS** 10 day promise

*So confident are we in our in-house manufacturing, we guarantee to deliver a number of evolution® models in 10 working days from order confirmation or we'll give you your money back!*

*All models marked **EXPRESS** are available on this fast track turnaround if specified in either plain colour or woodgrain laminate only.*

**1. DEFINITIONS AND INTERPRETATION**

1.1 In these conditions the following words have the following meanings:

“**Company**” means Clarke Rendall Business Furniture Ltd (Registered No: 2742559)

“**Contract**” means any Contract between the Company and the Customer for the Sale of Goods, incorporating these Conditions

“**Customer**” means the person(s) firm or Company who purchases Goods from the Company

“**Goods**” means any Goods agreed in the Contract to be supplied to the Customer by the Company (including any part or parts of them)

1.2 No representative or employee of the Company, except a Director of the Company has the authority to alter or vary these conditions.

**2. CONTRACT**

2.1 A Contract shall be made between the Company and the Customer and deemed to be accepted by the Company when written acknowledgement of order is issued by the Company.

2.2 Any variation to the original Contract specification or price must be confirmed by the Customer in writing and accepted by the Company in writing.

2.3 Subject to any variation the Contract will be subject to these conditions to the exclusion of all other terms and conditions (including any terms and conditions that the Customer purports to apply under any purchase order, confirmation of order, specification or other document)

2.4 Each order for Goods by the Customer from the Company shall be deemed to be an offer by the Customer to purchase Goods. It is the Customers obligation to ensure that the terms of its order and any applicable specifications are complete and accurate.

2.5 Any quotation made by the Company is given subject to the conditions. Without prejudice to the Company's right not to accept an order, quotations will be valid for 90 days from date of issue.

2.6 The cancellation of any order will only be accepted at the discretion of the Company and must be in writing. The Company will not accept cancellation of any order for any non-standard product and deposit payments will not be refunded

2.7 Storage of furniture – we will store the furniture free of charge for one week beyond the agreed delivery and installation dates. If site is still not ready after this time the furniture will be moved to an off-site storage facility and charged at the minimum rate of £100.00 + VAT per week or 2.5% of the order value whichever is the greater. At this point the balance invoice will be raised and payment due as per the terms of your Order Acknowledgement. If the furniture has not been delivered within 8 weeks of the acknowledged delivery dates the storage charge will increase to 10% of the order value per week until a delivery and installation date has been confirmed. Payment of storage charge invoices will be due within 7 days of the invoice date.

**3. DESIGN AND MANUFACTURE**

3.1 Although the Company takes every precaution to ensure that designs, drawings and the manufacturing qualities meet stringent standards, the Company cannot be held responsible for excessive and incorrect usage.

3.2 All designs and information are subject to the existing copyright agreement, which states they may not be reproduced in any form without prior written consent.

3.3 The Company shall have no liability under these conditions in respect of wood that is a natural material. There may be slight differences between the finishes of samples supplied and the manufactured product. The Company cannot therefore guarantee an exact match.

**4. SPECIFICATION**

4.1 The Company reserves the right to change materials specification as it sees fit.

**5. PRICING**

5.1 Unless otherwise agreed by the Company in writing the price for the goods shall be the price set by the Company on the date of delivery or deemed delivery of the Goods.

5.2 The Company will not accept responsibility for errors in price or description of products that may arise within printed price lists and publications used by the Company.

5.3 The standard practice of the Company is to publish prices exclusive of Value Added Tax, which is charged at the current rate on the net invoice value.

5.4 Where a price has been agreed and accepted outside the Company's normal trading terms the Company has the right to levy a surcharge on the outstanding balance up to a maximum of 20%.

**Minimum Order Value**

6.1 The Company's minimum order value is £1000 + VAT. All orders below this value will incur a delivery charge. Price on Application.

6.2 The Company reserves the right not to accept any order below this value if it is deemed not to be viable.

**7. PAYMENT TERMS**

7.1 Bespoke & Special Furniture – 30% of the quoted price shall be invoiced and is payable on acceptance of order and work, neither design nor manufacture will commence until the initial payment is received. The remaining 70% of the Contract price shall be invoiced on completion of work and is payable 30 days nett.

7.2 All products under evolution® brand – 25% of the quoted price shall be invoiced and is payable on acceptance of order and work, neither design (if

applicable) nor manufacture will commence until the initial payment is received. The remaining 75% of the Contract price shall be invoiced on completion of work and is payable 30 days nett.

**8. DELIVERY AND INSTALLATION**

8.1 The Company will arrange for delivery and installation of the Goods by its own transport and installers or by an independent carrier to a mainland UK destination as advised by the purchaser. The Company reserves the right to deliver any Goods in installments. The Company will endeavour to meet delivery dates but shall be under no liability of any kind if it fails to meet any such dates, whatever the cause of failure and whether such cause is within the Company's control or not.

**9. EXCLUSION AND LIMITATION OF LIABILITY**

9.1 The Company's total liability in Contract (including negligence or breach of statutory duty) shall be limited to the price of the Goods.

9.2 The Company shall not be liable to the Customer for any loss of profit or other economic loss (direct or indirect) or consequential loss or damage, costs expenses or other claims for consequential compensation or loss or damage howsoever caused which arises out of or in connection with the Contract, or for any liability incurred by the Customer to any other person for any economic loss, claim for damages or awards howsoever arising.

**10. PASSING OF RISK AND LEGAL TITLE**

10.1 The Goods shall be at the risk of the Customer from the time of delivery.

10.2 Full legal, beneficial and equitable title to and property in the Goods shall remain vested in the Company (even though they have been delivered and risk has passed to the Customer) until payment in full, in cash or cleared funds, for all Goods has been received by the Company.

10.3 Until full legal, beneficial and equitable title to and property in the Goods passes to the Customer:

- a) The Customer shall hold the Goods as bailee for the Company.
- b) The Customer shall store the Goods at its premises in a proper manner in conditions which adequately protect and preserve the Goods separately from any other Goods and ensure they are clearly identifiable as the Company's Goods.
- c) The Company may at any time, on demand and without prior notice, if payment for the Goods is overdue, the Company may repossess (for that purpose the Company may enter any premises owned or occupied by the Customer) or re-sell the Goods if the

Customer enters into Bankruptcy, individual voluntary arrangement, liquidation, receivership, administration or into a corporate voluntary arrangement as defined by the Insolvency Act 1986.

d) The Company hereby authorises the Customer to use and/or sell the Goods in the normal course of the Customers business and to pass title in the Goods to its Customers if they are purchasers in good faith. This right shall cease on the occurrence of any event set out in “c)” above and/or if any sum owed to the Company by the Customer is not paid when due.

e) If the Customer sells the Goods prior to paying the full price the Customer shall hold the proceeds of the sale in a separate bank account. At the Company's request the Customer shall assign to the Company all claims that the Customer may have against purchasers of the Goods from the Customer and make purchasers aware of the Company's Conditions of Sale.

**11. WARRANTY**

11.1 The Company warrants to the original Purchaser that the Goods are free from defect in material and workmanship under normal and proper use and service for a period of one year. Notice of any defect must be notified to the Company within 7 days of delivery and installation. The Company's examination must find the product to have been defective or this warranty will be of no effect. This warranty does not apply in respect of damage caused by misuse, neglect or accident nor if Goods have been repaired or modified by anyone other than the Company or its authorised representative.

**12. FORCE MAJEURE**

12.1 The Company reserves the right to suspend or cancel the Contract in whole or in part if manufacture or delivery is prevented or delayed due to any circumstances beyond the Company's control i.e acts of God, flood, lightning, war, revolution, act of terrorism, riot or civil commotion. The Company may upon reasonable notice terminate or amend this Contract in such manner as is reasonable within the circumstances.

**13. LAW AND JURISDICTION**

13.1 This Contract shall be governed by and be construed in all respects in accordance with English Law and all disputes and claims arising out of or relating to this Contract shall be subject to the exclusive jurisdiction of the English courts to which the parties irrevocably submit.



**ihub**  
Digital Imaging Centre . London



**KONICA MINOLTA**

Don't forget that as well as all the evolution® standard products available from Clarke Rendall, we also continue to produce some of the finest bespoke reception desks in the country.



Clarke ■ Rendall evolution®

Clarke Rendall Business Furniture Limited  
Unit 12, Denbigh Hall Industrial Estate, Denbigh Hall Drive,  
Bletchley, Milton Keynes MK3 7QT  
Head Office: 01908 391600 London: 020 7781 2162  
Fax: 01908 391601 Email: [salesupport@clarkerendall.com](mailto:salesupport@clarkerendall.com)  
[www.clarkerendall.com](http://www.clarkerendall.com)

evolution®  
is a registered trade mark of  
Clarke Rendall Business Furniture Limited  
in the UK