

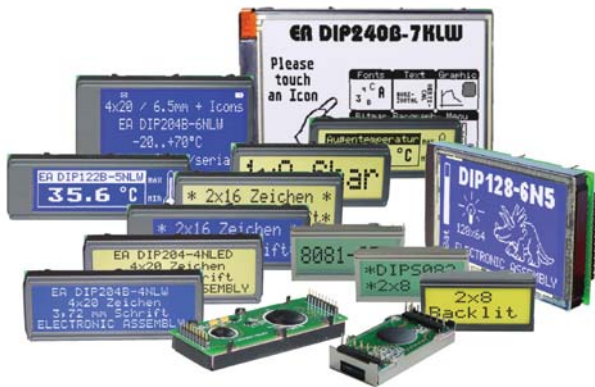
DIP Series Advantage in Mounting

- Compact and Reliable
- Quick and Easy
- Character 1x8..4x20
- 128x64 .. 240x128 monochrome
- Compatibel
- Short Lead Time
- Long Term Availability
- T_{Op.} -20..+70°C



Displays with Pins

Quality - Availability - Support



Smart mounting

Assembling is done within 2 steps only: place - solder - ready. There are no more cables, screws or pin header necessary. Economy is double: first in development because there's no need to design any mechanical fixing; later during production you'll save time piece by piece for non-mounting the display: There's nothing to screw on anymore!

Large Display - Less Dimensions

DIP modules are using the available space optimal. Or do you know any other display with well readable 5.05~11.48mm character height with such compact outline dimension? Traditional displays do have smaller type size with much bigger physical outline. How

does it work? DIP modules do not need these senseless pcb border with mounting holes and through hole connector.

Compatible

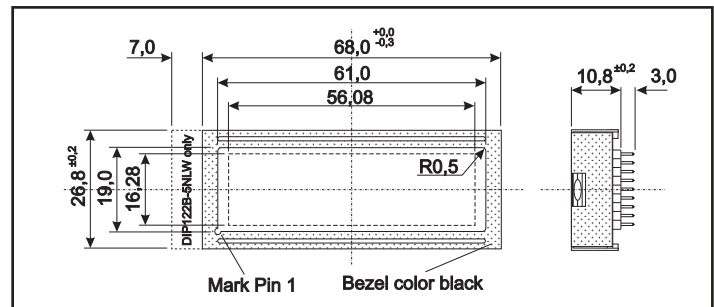
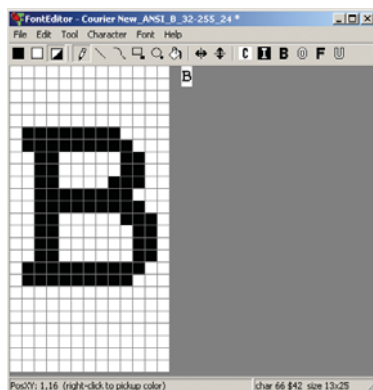
All modules from DIP series do have standard controller built in. Character displays are compatible with HD 44780 in pinout and software and graphic displays do have SED 1520, KS 0107/0108 or T6963 compatible controller onboard. By the way modules of same series can replace each other because pinout and mechanical dimensions are compatible - adequate software supposed. Later on an upgrade from character to graphic display is possible at any time. Most of DIP module series are featured with a LED backlight in yellow/green, blue-white, amber and black&white.

Low power

Power consumption without backlight is typ. 1mA@5V, and with the blue-white backlight 60~160mA only. Quality and life time is guaranteed: for the white LED backlight (blue-white and black&white types) we do use NICHIA LED dies only to provide longest life time with an extreme bright backlight. In addition to that we do use double count of LED dies to reduce stress and increase life time once again.

Optional: Character Set and Font Editor

As the graphic displays do not include any character set, ELECTRONIC ASSEMBLY does provide a FontEditor for Windows as an accessory including some ready made character sets. It is available with the part number EA USB-STICK-FONT. With that individual character sets can be created easily (e.g. Cyrillic, Greek, Arabic). An export function for C- and Basic programming language is built in. This makes the graphic displays more flexible for the different markets in world.



All Modules at a Glance				
Dimensions	Character	Char. Height	Backlight	Ordering Code
40x20mm	1x8	7,15 mm	-	EA 8081-A3N
	2x8	5,01 mm	-	EA DIPS082-HN
	2x8	5,01 mm	yellow/green	EA DIPS082-HNLED
68x27mm / 75x27mm	1x8	11,48 mm	yellow/green	EA DIP081-CHNLED
	2x16	6,68 mm	yellow/green	EA DIP162-DHNLED
			black&white	EA DIP162J-DN3LW
	2x16	6,68 mm	blue-white	EA DIP162-DN3LW
	4x20	3,73 mm	yellow/green	EA DIP203G-4NLED
			black&white	EA DIP203J-4NLW
	4x20	3,73 mm	blue-white	EA DIP203B-4NLW
75x46mm	122x32	Graphic	yellow/green	EA DIP122-5HNLED
			blue-white	EA DIP122B-5NLW
			amber	EA DIP122J-5NLA
	128x64	Graphic	black&white	EA DIP128J-6N5LW
			blue-white	EA DIP128-6N5LW
113x70mm	240x128	Graphic	black&white	EA DIP128J-6N5LA
113x70mm	4x20	6,45 mm	black&white	EA DIP204J-6NLW
			blue-white	EA DIP204B-6NLW
			black&white	EA DIP240J-7KLW
			blue-white	EA DIP240B-7KLW
113x70mm	240x128	Graphic	black&white	EA DIP240J-7KLA
			amber	EA DIP240J-7KLA

