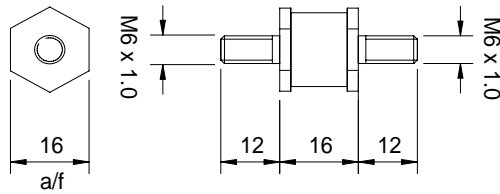


Technical data

Two bolt mounting - hexagon series 25 - 200N  
**185 series** - thread size M6

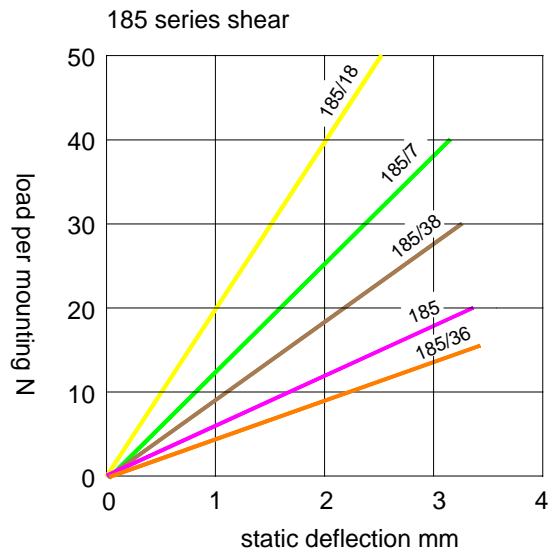
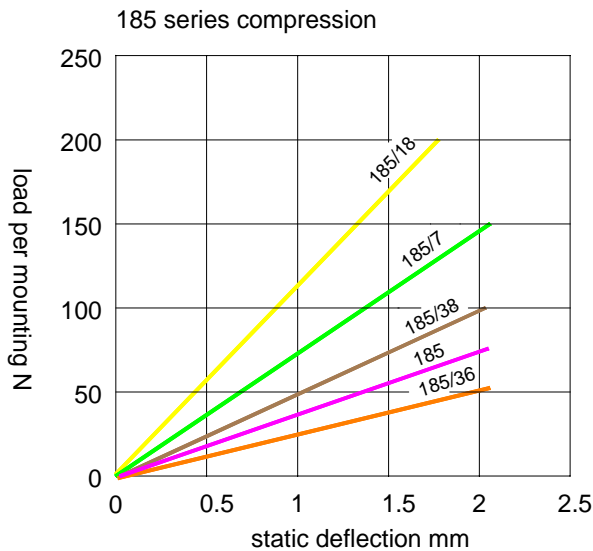


compression

part no:	colour code	maximum load
185/36	orange	50N
185	purple	75N
185/38	brown	100N
185/7	green	150N
185/18	yellow	200N

shear

part no:	colour code	maximum load
185/36	orange	15N
185	purple	20N
185/38	brown	30N
185/7	green	40N
185/18	yellow	50N



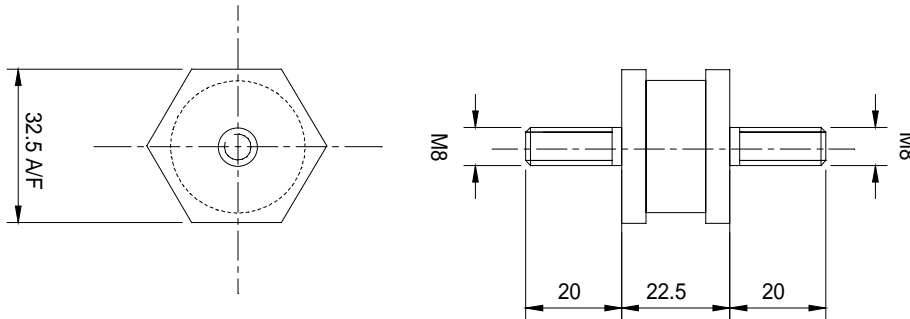
The hexagon series is particularly suitable for applications where mountings have to be fixed into tapped holes. The hexagon head enables the mounting to be locked into position without having to torque the rubber element.



Technical data

Two bolt mountings - hexagon series 150 - 600N

**200** series thread size M8



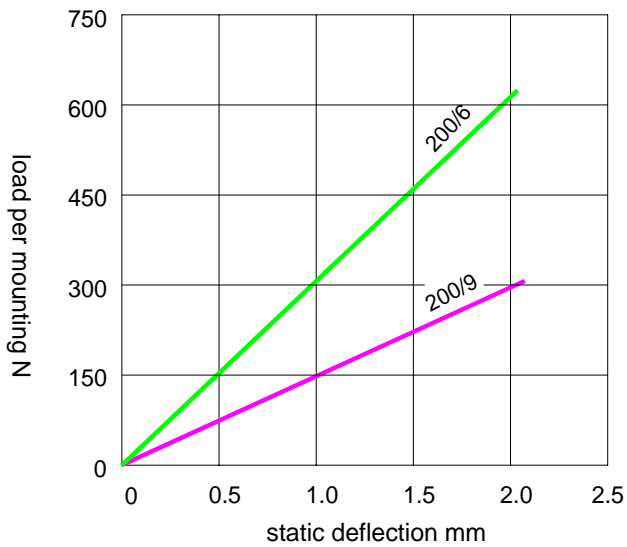
compression

part no:	colour code	maximum load
200/9	purple	300N
200/6	green	600N

shear

part no:	colour code	maximum load
200/9	purple	60N
200/6	green	120N

200 series compression



200 series shear

