

Plate Mounted & Cased Axial Fans



AXAIR
FANS UK LIMITED
www.axair-fans.co.uk

2012 Edition

...About Axair Fans UK

Application Knowledge:

Over 20 years experience in general air movement; including corrosive, explosive and hot fume handling.

Stock Facility:

Large modern warehouse facility containing a vast selection of fans, fan components and general accessories.

Customised Build:

Fans assembled from standard components to create the perfect mechanical and electrical solution to safe fume extraction.

Customer Care:

Experience a sense of partnership with Axair Fans.



Lowfield Drive - Centre 500 - Wolstanton - Newcastle-Under-Lyme - ST5 0UU
Tel: 01782 349430 Fax: 01782 349439 Email: sales@axair-fans.co.uk www.axair-fans.co.uk

All specifications, data and drawings are subject to alterations without prior notice

General Description

Fan

- Square plate mounting in sheet steel (HEP)
- Rolled steel casing (HEPT)
- External terminal box with IP65 protection (HEPT)
- Fan guard with integral motor mounting to DIN and UNE standards
- Impeller in Polyamide 6 with fibreglass reinforcement
- Dynamically balanced to ISO 1940
- Zinc phosphate surface treated steel
- Epoxy resin anti-corrosive finish, kiln dried at 200°C

HEP



- Square plate with 4 fixing holes for ease of mounting
- Folded edge for extra rigidity
- Bell-mouth inlet for optimum performance
- Motor supported from a rigid inlet guard

HEPT



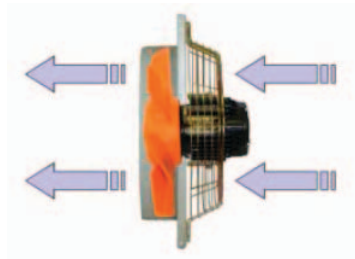
- Rolled steel case with Standard flange mountings at each end
- External Terminal box of IP65 protection class
- Motor supported from a rigid open guard

Motor

- Squirrel-cage induction motor
- Three-phase dual voltage connection 230/400V 50Hz
- Single Phase 230V 50Hz
- IP65 dust and hosed water protection
- Class F winding insulation with Class B temperature rise
- Over-heat protection by self-resetting thermo-contact
- Permitted air-stream temperatures:
 - 2 pole (2800/min) motors -25°C up to +45°C
 - 4 pole (1400/min) & 6 pole (930/min) motors -25°C up to +60°C

Standard Air Flow Direction

From guard to impeller
(Reverse air-flow impeller upon request)



Reference Code

HEP-25-2 T / H

Blade angle:
Voltage:
Number of Poles
Impeller Diameter

H: High pitch L: Low pitch
M: Single phase T: Three phase
2: 2 pole 4: 4 pole 6: 6 pole
25: 250 35: 350 45: 450
31: 315 40: 400 50: 500

56: 560
63: 630

Fan type: HEP: Plate mounted axial
 HEPT: Cased axial

Ø250 & Ø315

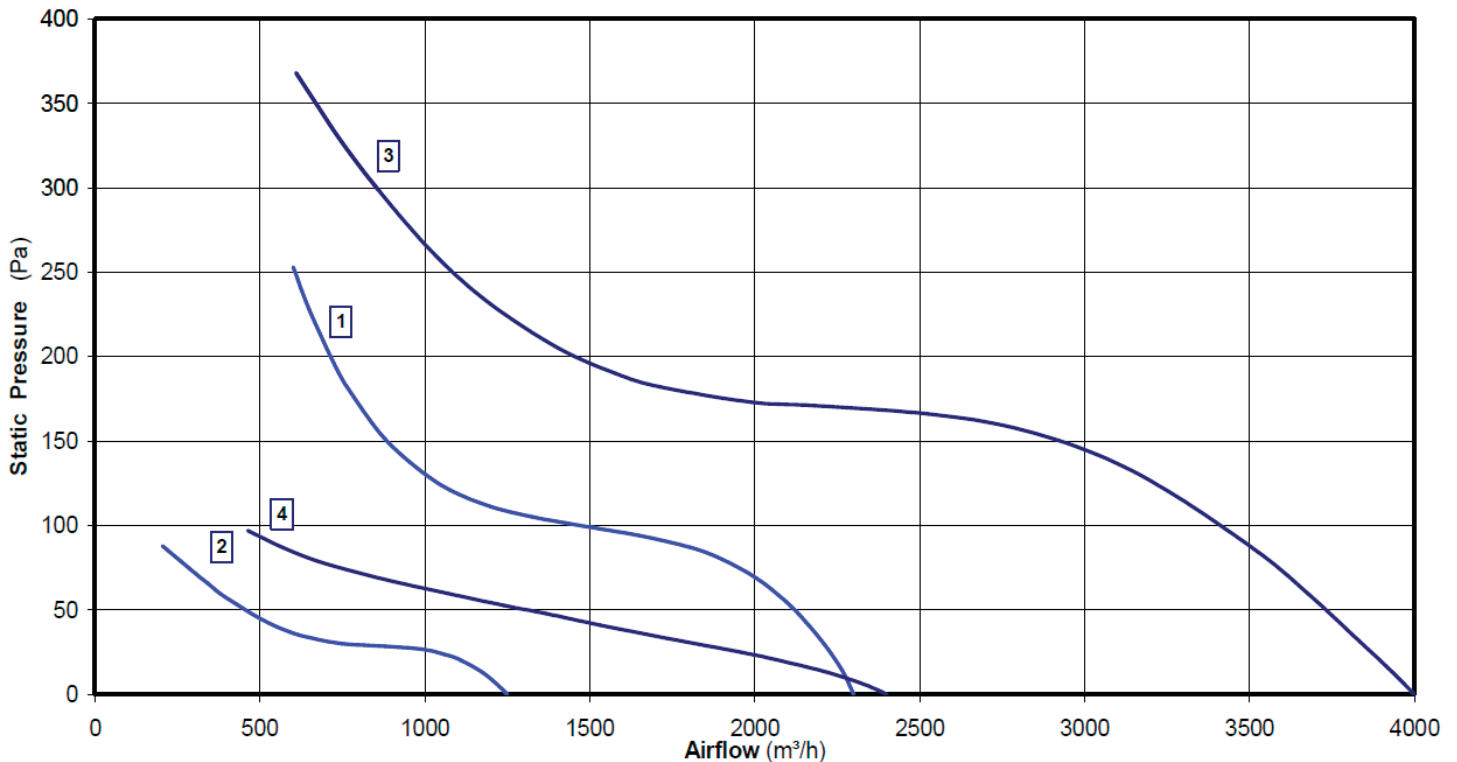
2 & 4 pole – Single & Three Phase

Technical Data

Model		Airflow Rate	Speed	Max Electrical Supply		Input Power	Sound Level (*)	Weight		Curve
				230V	400V			HEP	HEPT	
		m ³ /h	rpm	A		W	dB(A)	Kg		
HEP-25-2T/H		2300	2780	1.30	0.75	250	64	5.3	-	1
HEP-25-2M/H		2300	2750	1.95	-	285	64	5.3	-	
HEP-25-4T/H		1250	1450	0.69	0.40	87	52	4.5	-	2
HEP-25-4M/H		1250	1440	0.65	-	100	52	4.5	-	
HEP-31-2T/H	HEPT-31-2T/H	4000	2640	1.54	0.89	495	74	7.0	7.4	3
HEP-31-2M/H	HEPT-31-2M/H	4000	2640	2.30	-	515	74	7.0	7.4	
HEP-31-4T/H	HEPT-31-4T/H	2400	1410	0.69	0.40	115	55	5.7	6.2	4
HEP-31-4M/H	HEPT-31-4M/H	2400	1410	0.75		140	55	5.7	6.2	

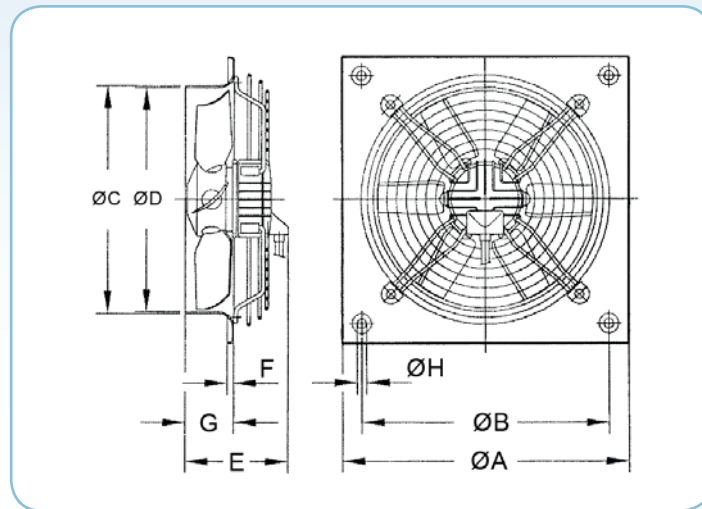
(*) NB : Sound level at 3 metres

Airflow characteristics



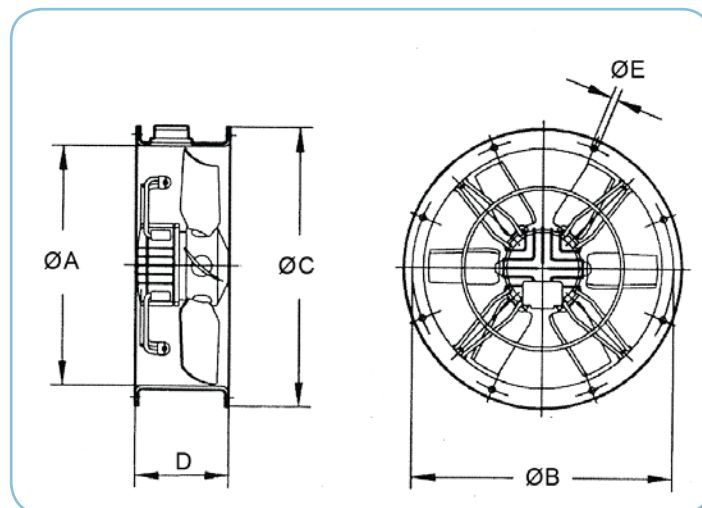
Ø250 & Ø315

Plate Mounted



(mm)	A	B	$\varnothing C$	$\varnothing D$	E		F	G	$\varnothing H$
					2 Pole	4 Pole			
HEP-25	330	275	262	260	213	203	11	56	8.5
HEP-31- ... /H	400	336	310.5	308	214	204	11	75	10.5

Cased



(mm)	$\varnothing A$	$\varnothing B$	$\varnothing C$	D	$\varnothing E$	Number of Holes
HEPT-31	385	355	308	200	10	8

Ø350 & Ø400

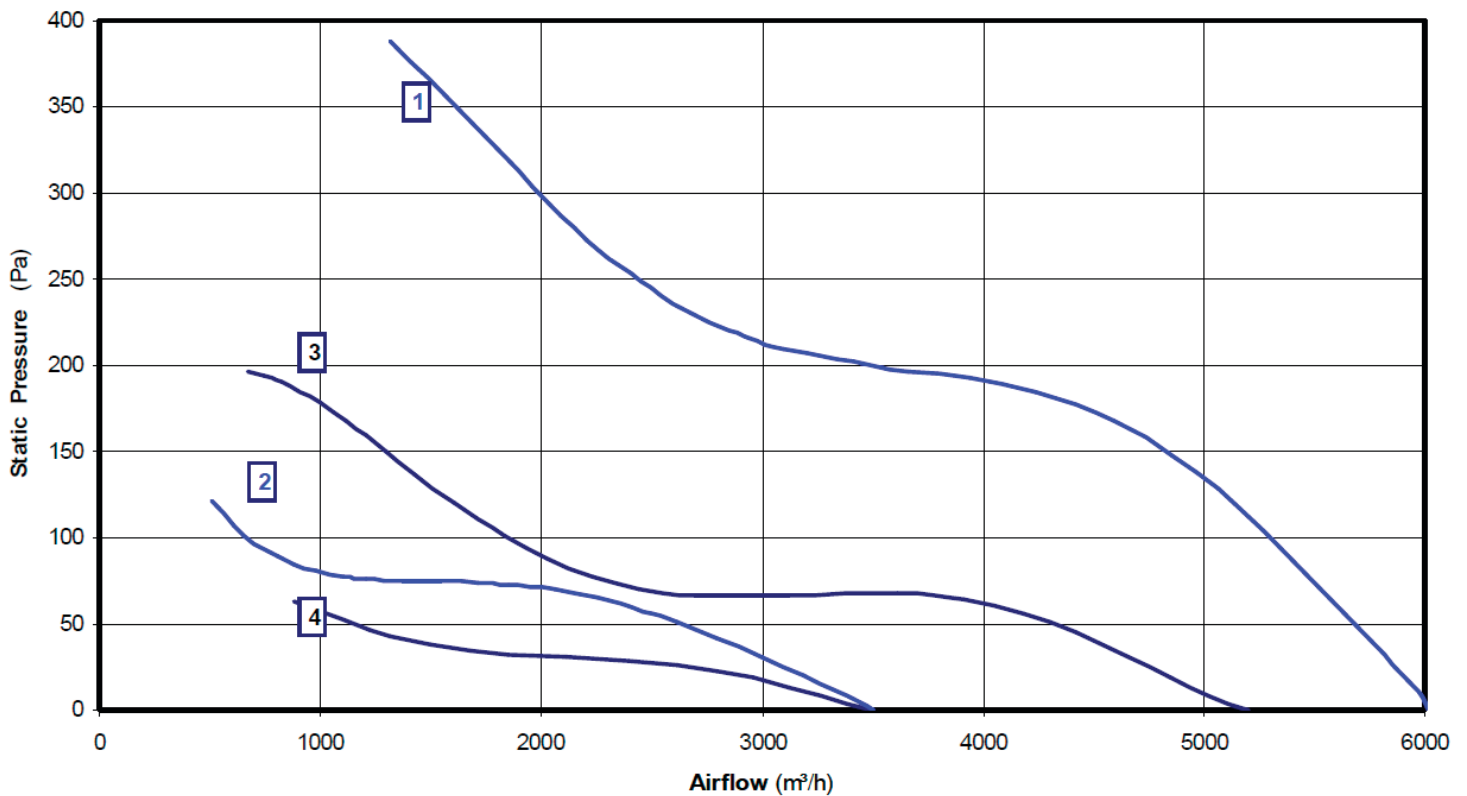
2,4 & 6 pole – Single & Three Phase

Technical Data

Model		Airflow Rate m3/h	Speed rpm	Max Electrical Supply		Input Power W	Sound Level (*) dB(A)	Weight		Curve
				230V	400V			HEP	HEPT	
				A				Kg		
HEP-35-2T/H	HEPT-35-2T/H	6020	2790	2.16	1.25	650	76	8.8	9.4	1
HEP-35-2M/H	HEPT-35-2M/H	6020	2675	2.80	-	690	76	8.8	9.4	
HEP-35-4T/H	HEPT-35-4T/H	3500	1340	0.74	0.43	170	58	7.1	7.6	2
HEP-35-4M/H	HEPT-35-4M/H	3500	1340	0.98	-	180	58	7.1	7.6	
HEP-40-4T/H	HEPT-40-4T/H	5200	1420	2.10	1.20	325	61	10.6	13.5	3
HEP-40-4M/H	HEPT-40-4M/H	5200	1400	1.85	-	360	61	10.6	13.5	
HEP-40-6T/H	HEPT-40-6T/H	3500	960	1.12	0.65	150	54	10.2	13.5	4
HEP-40-6M/H	HEPT-40-6M/H	3500	960	1.06	-	180	54	10.2	13.5	

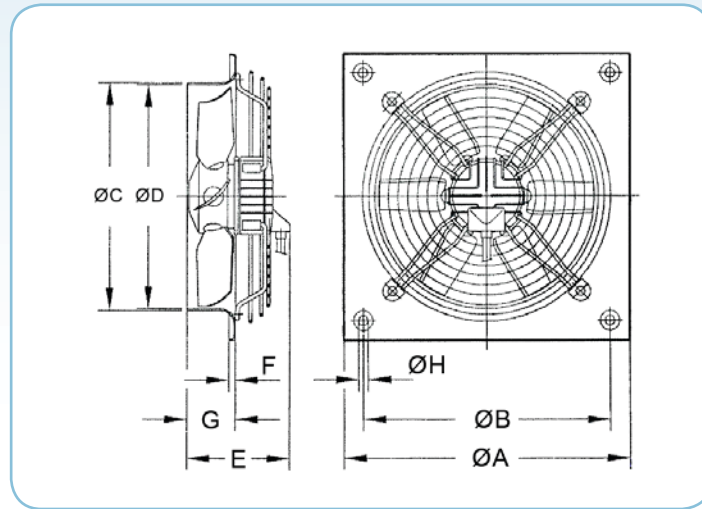
(*) NB : Sound level at 3 metres

Airflow characteristics



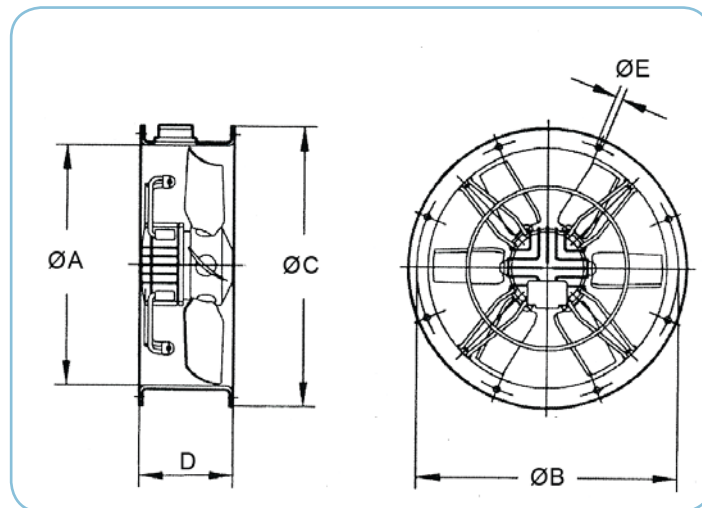
Ø350 & Ø400

Plate Mounted



(mm)	A	B	ØC	ØD	E			F	G	ØH
					2 Pole	4 Pole	6 Pole			
HEP-35-.../H	390	465	362.5	360	241	211	-	11	86	10.5
HEP-40-.../H	452	532	412.5	410	-	226	205	11	97.5	10.5

Cased



(mm)	ØA	ØB	ØC	D	ØE	Number of Holes
HEPT-35	425	395	360	220	10	8
HEPT-40	490	450	410	220	10	8

Ø450 & Ø500

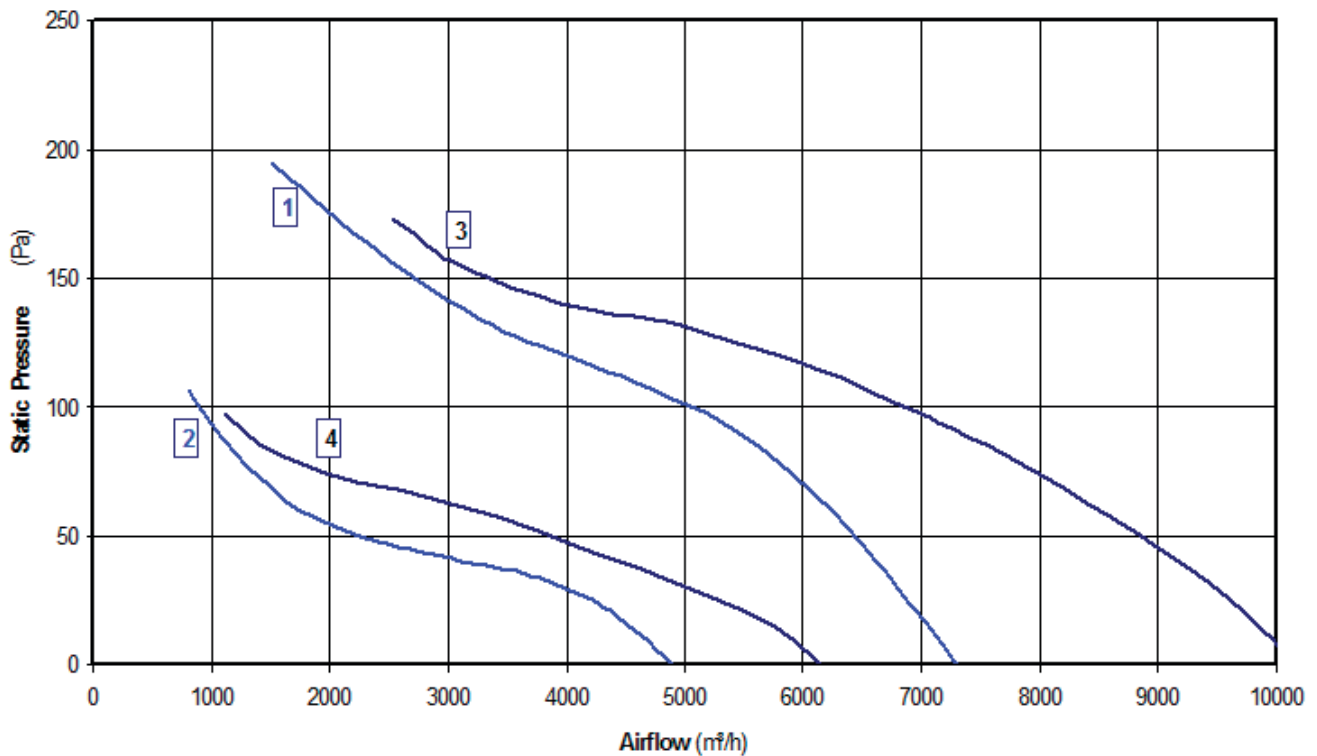
4 & 6 pole – Single & Three Phase

Technical Data

Model		Airflow Rate m ³ /h	Speed rpm	Max Electrical Supply		Input Power W	Sound Level (*) dB(A)	Weight		Curve
				230V	400V			HEP	HEPT	
				A				Kg		
HEP-45-4T/H	HEPT-45-4T/H	7300	1400	2.11	1.22	470	66	12.5	15.5	1
HEP-45-4M/H	HEPT-45-4M/H	7300	1400	2.35	-	480	66	12.5	15.5	
HEP-45-6T/H	HEPT-45-6T/H	4900	955	1.42	0.82	210	56	11.4	15.5	2
HEP-45-6M/H	HEPT-45-6M/H	4900	955	1.40	-	225	56	11.4	15.5	
HEP-50-4T/H	HEPT-50-4T/H	10150	1420	3.10	1.80	720	69	15.0	18.0	3
HEP-50-4M/H	HEPT-50-4M/H	10150	1380	3.45	-	720	69	15.0	18.0	
HEP-50-6T/H	HEPT-50-6T/H	6150	950	1.38	0.80	240	59	13.2	18.0	4
HEP-50-6M/H	HEPT-50-6M/H	6150	950	1.38	-	245	59	13.2	18.0	

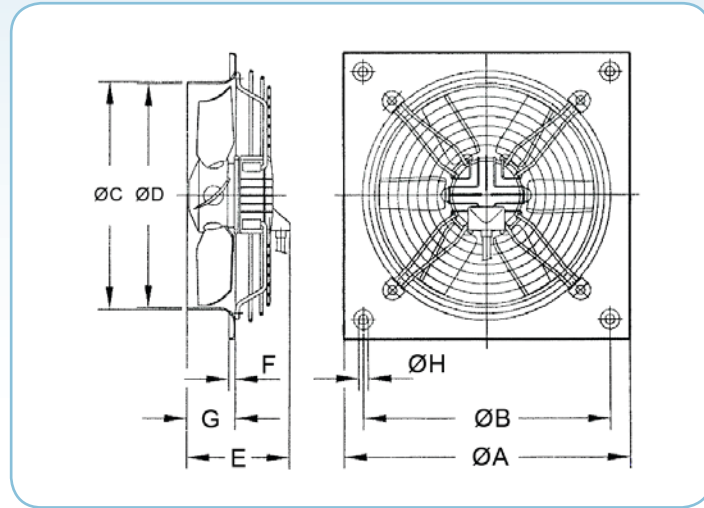
(*) NB : Sound level at 3 metres

Airflow characteristics



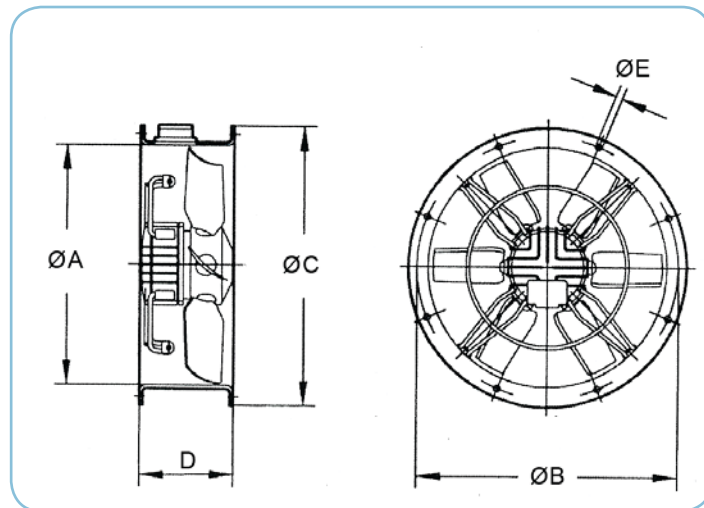
Ø450 & Ø500

Plate Mounted



(mm)	A	B	ØC	ØD	E		F	G	ØH
					4 Pole	6 Pole			
HEP-45-.../H	504	596	462.5	460	234	218	11	105	10.5
HEP-50-.../H	562	665	516.5	514	275	254	11	115	10.5

Cased



(mm)	ØA	ØB	ØC	D	ØE	Number of Holes
HEPT-45	540	500	460	220	12	8
HEPT-50	600	560	514	230	12	12

Ø560 & Ø630

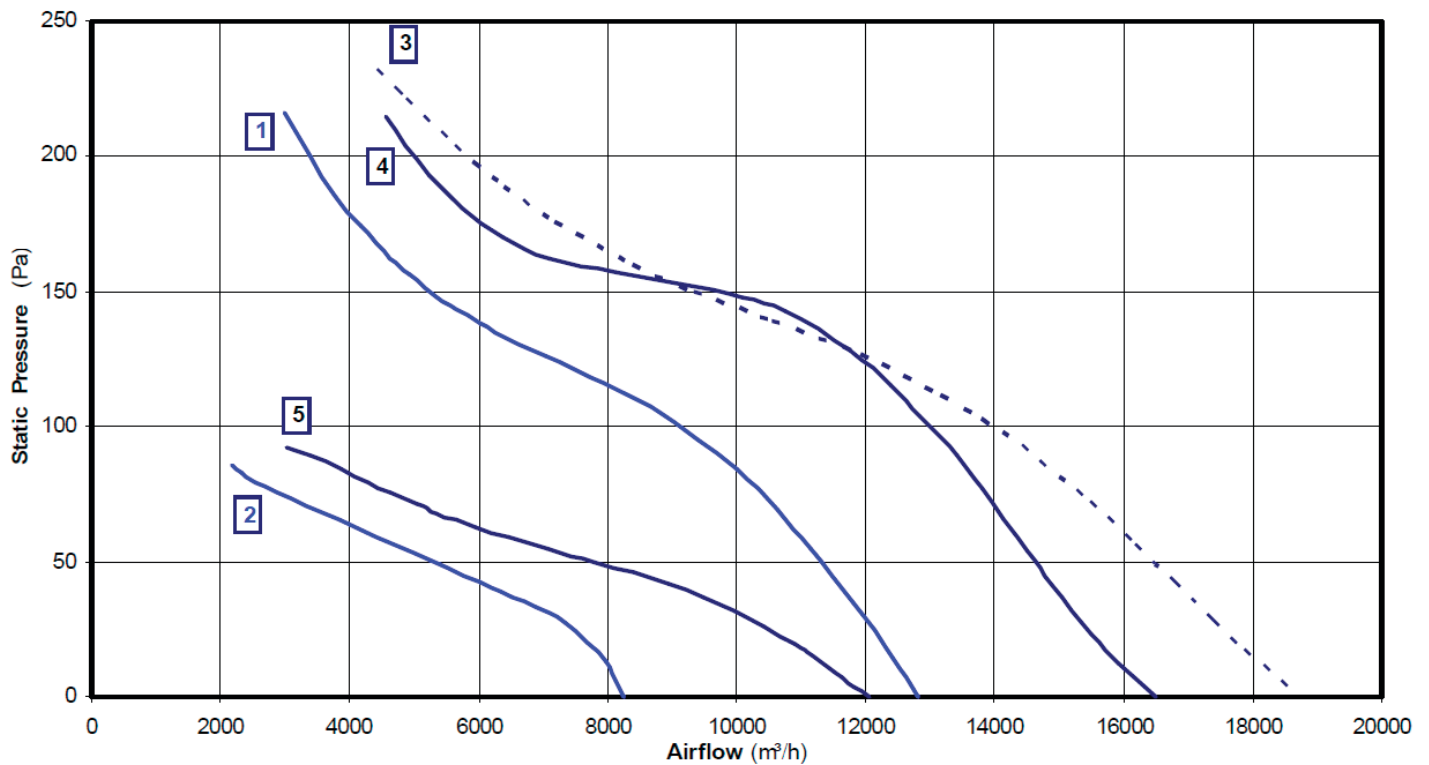
4 & 6 pole – Single & Three Phase

Technical Data

Model		Airflow Rate m3/h	Speed rpm	Max Electrical Supply		Input Power W	Sound Level (*) dB(A)	Weight		Curve
				230V	400V			HEP	HEPT	
				A				Kg		
HEP-56-4T/H	HEPT-56-4T/H	12800	1350	3.63	2.10	1050	72	21.0	28.0	1
HEP-56-4M/H	HEPT-56-4M/H	12800	1350	5.26	-	1060	72	21.0	28.0	
HEP-56-6T/H	HEPT-56-6T/H	8250	915	1.73	1.00	400	62	17.0	28.0	2
HEP-56-6M/H	HEPT-56-6M/H	8250	915	2.25	-	415	62	17.0	28.0	
HEP-63-4T/H	HEPT-63-4T/H	18700	1415	6.92	4.00	1700	82	25.8	33.5	3
HEP-63-4T/L		16500	1375	5.01	2.90	1290	75	23.0	-	4
HEP-63-4M/L	HEPT-63-4M/L	16500	1375	5.40	-	1295	75	23.0	31.0	
HEP-63-6T/H	HEPT-63-6T/H	12050	905	2.06	1.19	500	65	20.2	33.5	5
HEP-63-6M/H	HEPT-63-6M/H	12050	905	2.70	-	560	65	20.2	33.5	

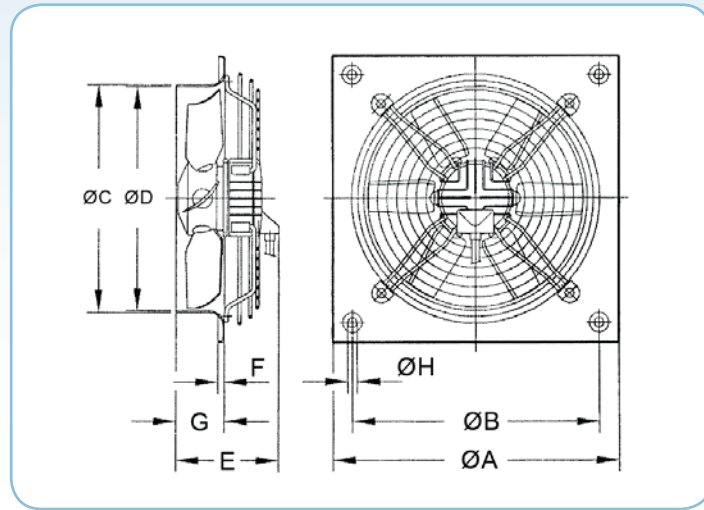
(*) NB : Sound level at 3 metres

Airflow characteristics



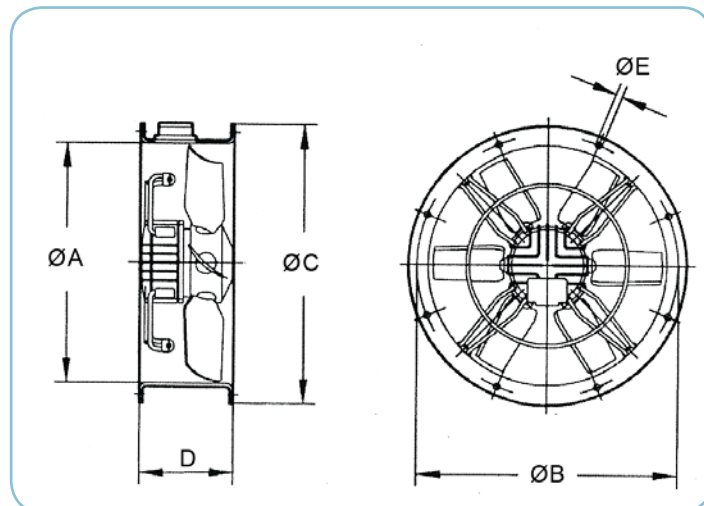
Ø560 & Ø630

Plate Mounted



(mm)	A	B	$\varnothing C$	$\varnothing D$	E		F	G	$\varnothing H$
					4 Pole	6 Pole			
HEP-56- ...	710	630	563	560	306	266	15	115	10.5
HEP-63- ...	800	710	638	635	360	276	15	140	10.5
HEP-63- ... /L	800	710	638	635	360	266	15	140	10.5

Cased

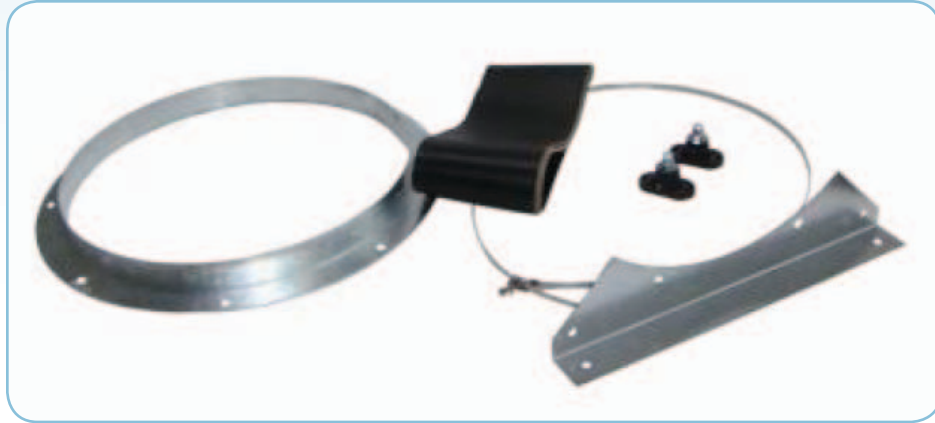


(mm)	$\varnothing A$	$\varnothing B$	$\varnothing C$	D	$\varnothing E$	Number of Holes
HEPT-56	660	620	560	260	12	12
HEPT-63	730	690	635	280	12	12

Accessories

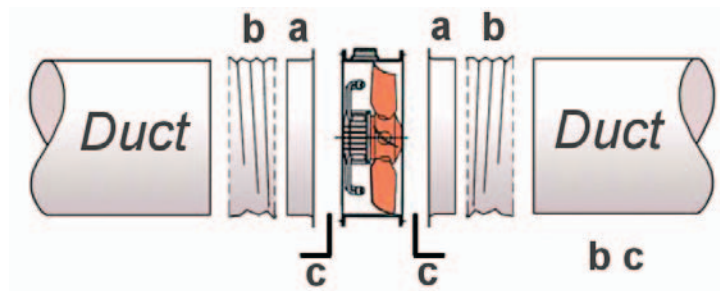
Ancillary Pack

(For HEPT - Long Cased Axial Fan)



Includes :

- 2 Matching flanges (a)
- 2 flexible couplings (b)
- 1 pair of mounting brackets (c)
- 4 AV mountings
- 4 Fixing clips



Also Available:



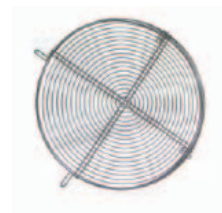
Electrical Isolator



Gravity Louvre Shutter



Electronic Speed Regulator



Finger Guard



Lowfield Drive
Centre 500
Wolstanton
Newcastle-Under-Lyme
ST5 0UU

Tel: 01782 349430
Fax: 01782 349439
Email: sales@axair-fans.co.uk
