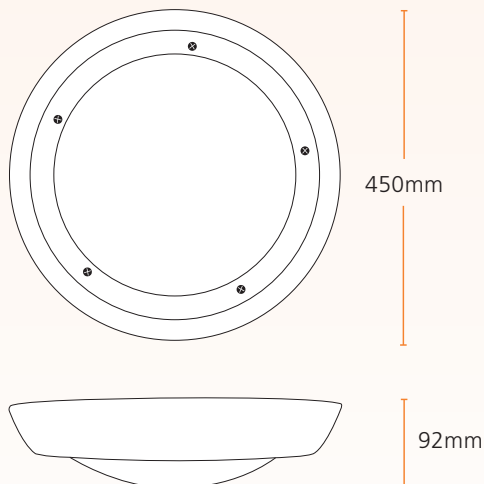




**AEGIS** is a 450mm diameter circular surface mounted luminaire of anti-ligature design suitable for areas where it is essential to prevent patient self harm. Supplied with tamper proof TP(a) rated low glare polycarbonate diffuser. Colour temperature 4000K. Available with anti-microbial paint finish. Anti-ligature when correctly installed using anti-pick mastic.

Product Code	Description	Weight
AEGIS16	330mm dia. 16W 1785 lumen 4000K	3kg
AEGIS22	330mm dia. 22W 2470 lumen 4000K	3kg
/ E3	Integral 3hr emergency	
/ DD	DALI control	



### Options

- LED nightlight facility
- DALI
- Corridor function
- Presence detection microwave sensor
- Anti-microbial paint finish

### Features

- 12mm heavy duty steel housing
- TP(a) polycarbonate low glare diffuser
- Tamper proof fixings
- Neoprene gasket for IP44 rating
- 50,000hr L80B10

