



Brief navigation through ACO products



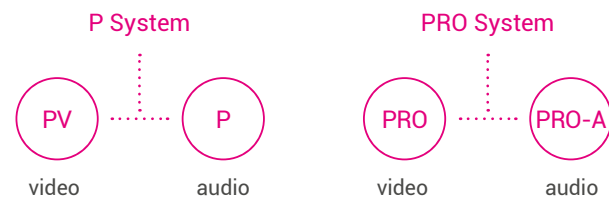
aco

Product Catalogue

DOOR ENTRY SYSTEMS

Systems

ACO products operate on two main systems: P and PRO, to support audio and video versions respectively.



Functionalities

Key functionalities of the ACO door entry systems:



single-family housing and small buildings



multiple family housing units



video panels



audio panels



ability to re-route calls
phone-operated



functionalities for the disabled



compatible with home automation, e.g.
lighting, entry gates, roller-blinds, entry-bars



proximity reader for access control



ability to connect extra modules



LCD display



video display



customisable



#hello



CHANGE is one of the most important terms reflecting the spirit of our time, and MOBILITY is the most pronounced of the trends that accompany it.

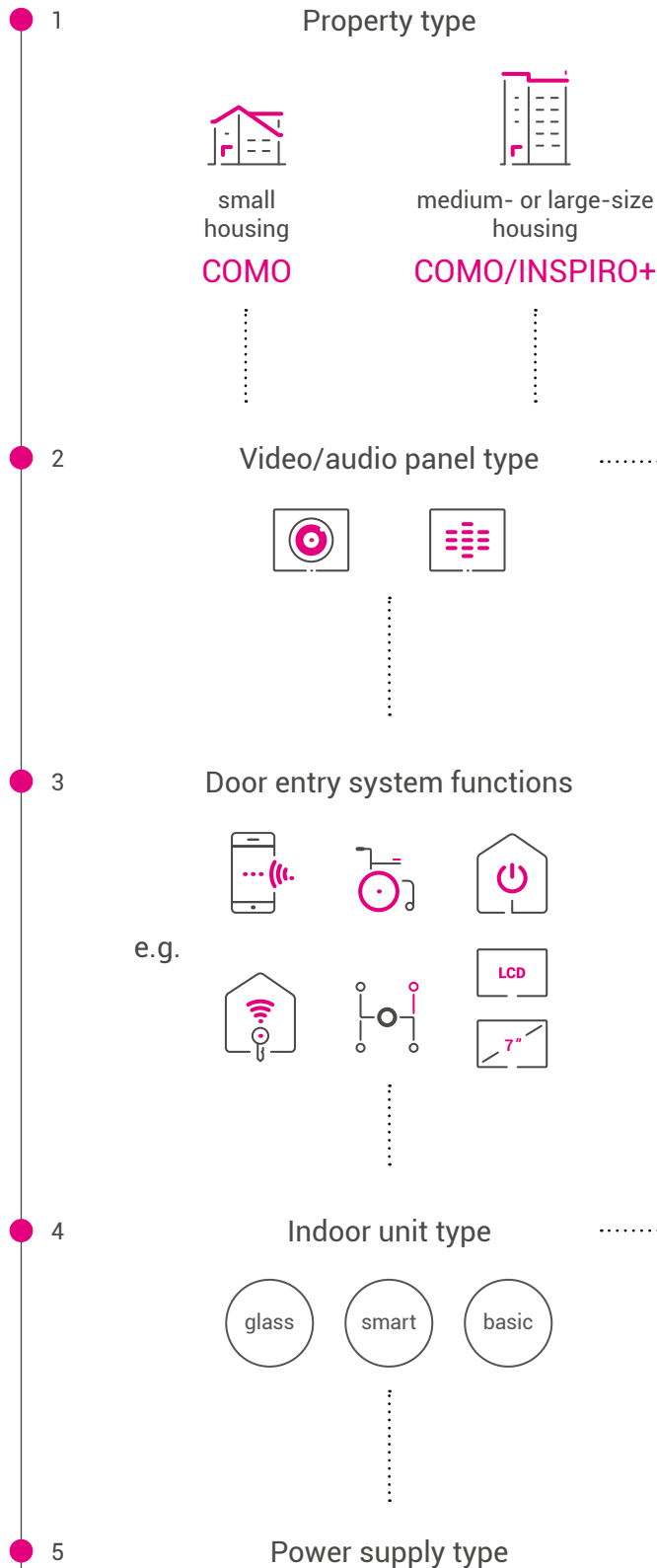
This applies to many areas of our lives, including door entry systems. Providing them with remote communication and control functions, regardless of the user's current location, is the greatest challenge ACO has yet faced. We always set the bar high for ourselves, bearing in mind the USER and their everyday convenience. Freedom, ease and sense of security are our priorities.

With these solutions in the MOBILE segment, we are opening a new chapter in the life of the company, creating new possibilities for our clients.

TABLE OF CONTENTS

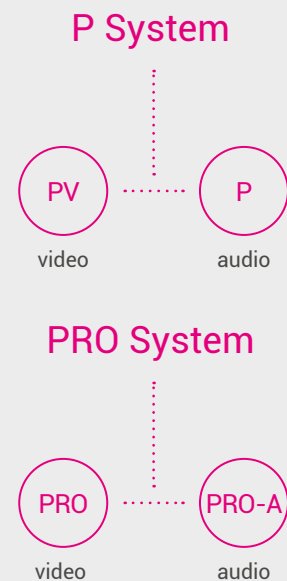
	Choose your door entry system in 5 simple steps	5
●	Mobile functionalities	6
●	GET ACQUAINTED WITH acoGO!	8
●	COMO door entry systems	12
	COMO door entry systems	14
	COMO audio door entry systems	16
	Selected features of the COMO range	18
	Dimensions of the COMO range units	19
●	INSPIRO+ door entry systems	20
	INSPIRO+ video door entry systems	22
	INSPIRO+ audio door entry systems	24
	Selected features of the INSPIRO+ range units	26
	Dimensions of the INSPIRO+ range units	27
	Standalone units	28
	Door entry system personalisation	29
	COMO and INSPIRO+ comparison	30
●	Indoor units	32
	No handset – Glass	34
	No handset – Smart	35
	With handset – Basic	36
	Features and functions of the ACO indoor units	37
●	Mounting elements and accessories	38
●	Additional modules, power supplies, diagrams	42
	Special modules	45
	Relays, video line combiners	46
	Splitters	47
	Built-in modules	48
	Home automation system control, additional, relays	49
	Power supplies	50
	Diagrams	51

CHOOSE YOUR DOOR ENTRY SYSTEM IN 5 SIMPLE STEPS



#Important

The panel and the indoor unit must operate within a single system. The names of the systems shown below are used for the products later in the catalogue.



Remember that ACO door entry systems may be flush- or surface-mounted.



#freedom

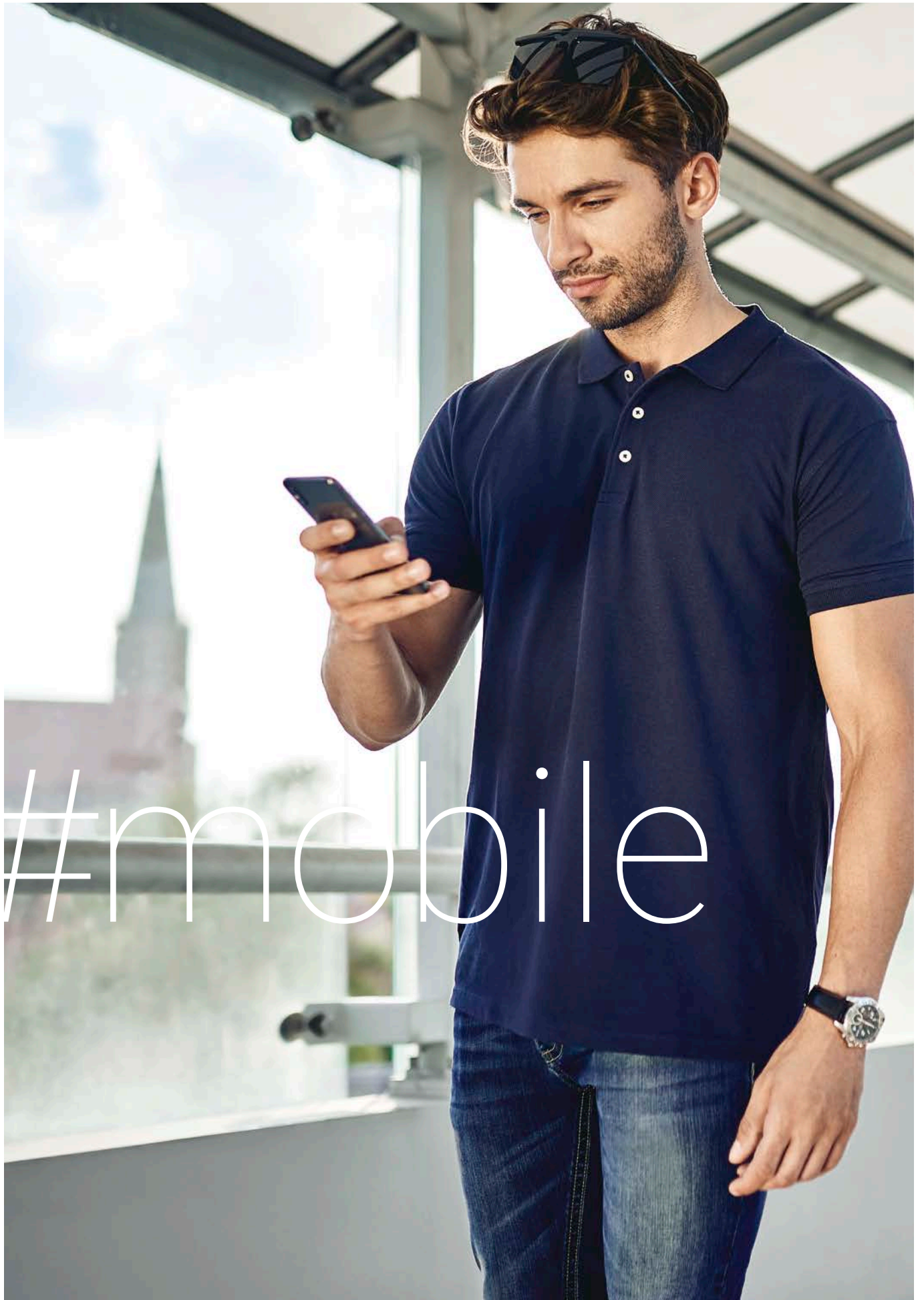


MOBILE FUNCTIONALITIES

The ability to control what happens in your home entry zone is becoming increasingly important. The ability to communicate, including by phone, is now a normal part of our lives. No matter where we are: at home, at work, or on vacation...

We understand that everyone using ACO products needs a greater degree of comfort, sense of safety and flexibility, without having to pay out for an expensive door entry system replacement. We know that access to amenities should not depend on whether you live in a single-family house or in multi-family housing. That's why we made acoGO! suitable for all ACO digital indoor units.





#mobile



MEET acoGO!

Although small, the **acoGO!** IP gate connects your smartphone with your door entry system via the **acoGO! mobile app**. Thanks to it, you can do more without effort. Now you know that someone is at your door, while you are elsewhere. While away from home you can still talk through your intercom. You do not even need to approach the door to welcome your guests in.



acoGO! P and acoGO! P WiFi



acoGO! P and **acoGO! P WiFi** allow you to answer intercom calls using your smartphone and are designed mainly for wall mounting. They work with ACO devices based on the P and PV systems (i.e. Familio / Como, Inspiro, CDNP). Their great advantage is that anyone with a digital ACO door entry system may buy and install such a device.

acoGO! WiFi and acoGO! can be used as the indoor unit of a door entry system.



acoGO! PRO DIN






A special DIN-mounted unit that allows you to easily take intercom calls using your smartphone.

acoGO! PRO DIN features an additional VOiP call capability - based on an external provider - allowing you to call landline and mobile numbers directly.

This solution is intended for Familio / Como group ACO devices based on the PRO and PRO-A systems.

Like the other **acoGO!** products, it allows mobile phone to be used as the indoor unit of a door entry system.

Choose the **acoGO!** version best suited to your needs:

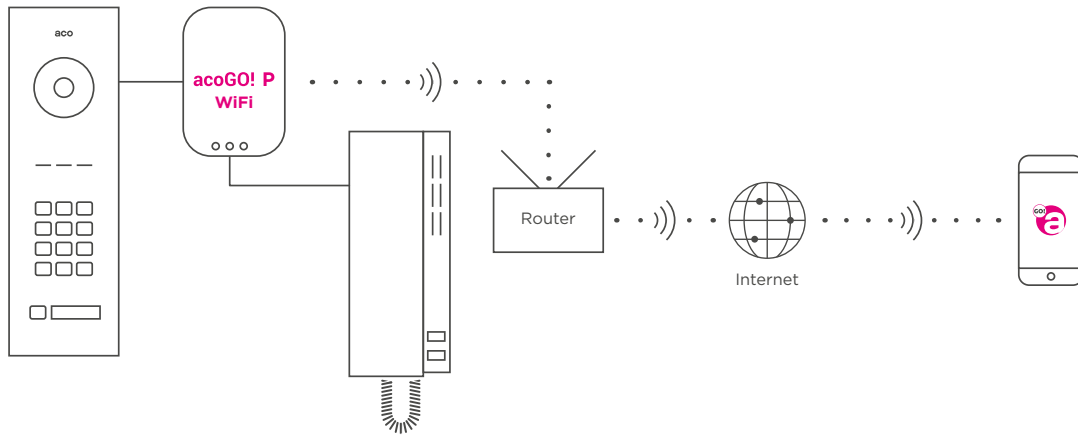
acoGO! P WiFi	acoGO! P	acoGO! PRO DIN
		
product code: ACO GO! P-IP WIFI	product code: ACO GO! P-IP	product code: ACO GO! PRO-A-IP DIN

MAIN FEATURES		
works with P and PV door entry systems	works with PRO and PRO-A door entry systems	
may be used to answer audio calls, open the door and operate home automation devices, e.g. open gates, barriers and roll-ups, or control the lighting		
works with the acoGO! mobile app on your phone, available in the Play Store		
internet connection via Ethernet or Wi-Fi	internet connection via Ethernet or Wi-Fi	works with external SIP servers (works with VoIP online calls - ability to call regular phone numbers)
		Internet connection via Ethernet
works online		
software updates and appliance control via a web browser		
ability to operate autonomously (without a classic indoor unit)		
parallel operation capability (on the same address as a classic indoor unit)		
classy casing, may be mounted next to a classic indoor unit	DIN rail casing, to be mounted in an electrical cabinet	
dimensions: 82 x 122,5 x 34 mm	4 DIN modules	

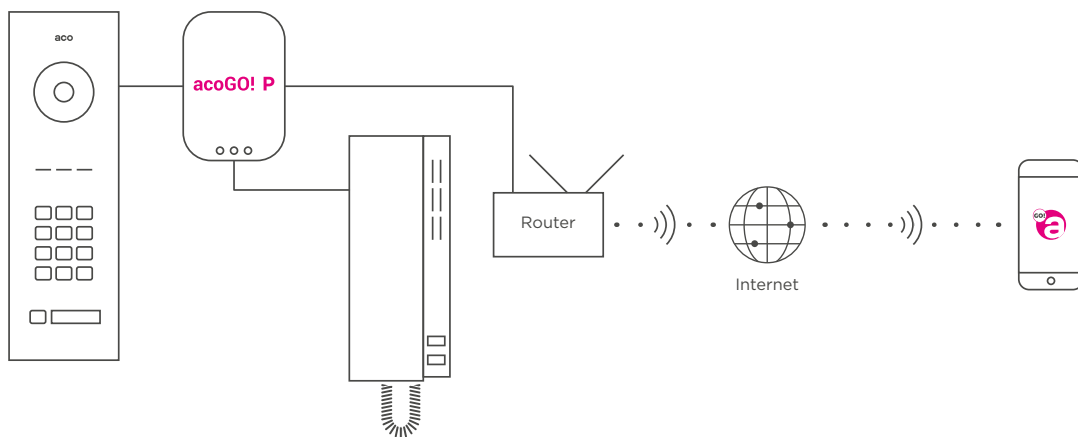
We recommend hiring an installer to mount the **acoGO!** unit. Installing it on your own may result in damage to the unit.
More information available at www.domofonwtelefonie.com.pl

We offer 3 products that allow you to answer intercom calls with a smartphone, without having to install a new door entry system.

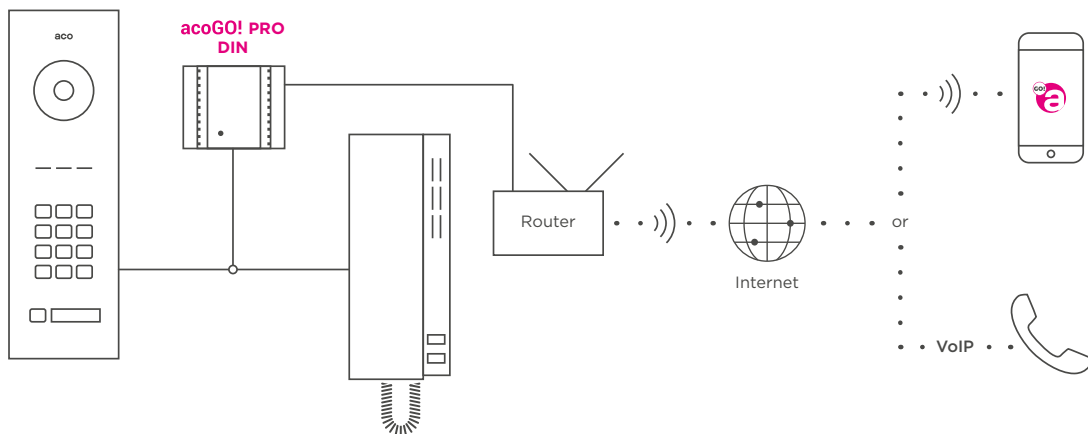
AcoGO! P WiFi connection diagram



AcoGO! P connection diagram



AcoGO! P connection diagram





#relax



COMO DOOR ENTRY SYSTEMS

All homes are unique, as are the people who live, work, cook, raise children, create things and host guests inside them... We knew that modern door entry systems should become a better part of their lives as well – by making them easier to use and ensuring a sense of comfort, safety and freedom.



PRO



PV



COMO^{video}

- high resolution colour video camera
- 2 mm thick, flat front panel made of brushed stainless steel
- backlit keyboard
- ability to open the door and gate using key fobs
- backlit nameplates
- built-in access control proximity reader
- extensive configuration possibilities



PRO
PV

**FAM-PRO-2NPZSACC
FAM-PV-2NPZSACC**

- PIN code lock
- 2 nameplates with call buttons
- key fob reader



PRO
PV

**FAM-PRO-1NPZSACC
FAM-PV-1NPZSACC**

- PIN code lock
- 1 nameplate with call button
- key fob reader



PV

FAM-PV-ZSACC

- PIN code lock
- 1 nameplate
- key fob reader



PRO
PV

**COMO-PRO-V6
FAM-PV-6NPACC**

- 6 nameplates with call buttons
- key fob reader



PRO
PV

**COMO-PRO-V4
FAM-PV-4NPACC**

- 4 nameplates with call buttons
- key fob reader



PRO

COMO-PRO-V3

- 3 nameplates with call buttons
- key fob reader



PRO
PV

**COMO-PRO-V2
FAM-PV-2NPACC**

- 2 nameplates with call buttons
- key fob reader



PRO
PV

**COMO-PRO-V1
FAM-PV-1NPACC**

- 1 nameplate with call button
- key fob reader



The COMO series units are available in flush- and surface-mounted versions. For more information, see pages 19 and 40.

PRO-A



P



COMO audio

- 2 mm thick, flat front panel made of brushed stainless steel
- backlit keyboard
- ability to open the door and the gate using key fobs
- backlit nameplates
- built-in access control proximity reader
- extensive configuration possibilities



PRO-A

P

FAM-P-2NPZSACC
FAM-PRO-A-2NPZSACC

- PIN code lock
- 2 nameplates with call buttons
- key fob reader



PRO-A

P

FAM-P-1NPZSACC
FAM-PRO-A-1NPZSACC

- PIN code lock
- 1 nameplate with call button
- key fob reader



P

FAM-P-ZSACC

- PIN code lock
- 1 nameplate
- key fob reader



PRO-A

P

COMO-PRO-A6
FAM-P-6NPACC

- 6 nameplates with call buttons
- key fob reader



PRO-A

P

COMO-PRO-A4
FAM-P-4NPACC

- 4 nameplates with call buttons
- key fob reader



PRO-A

COMO-PRO-A3

- 3 nameplates with call buttons
- key fob reader



PRO-A

P

COMO-PRO-A2
FAM-P-2NPACC

- 2 nameplates with call buttons
- key fob reader



PRO-A

P

COMO-PRO-A1
FAM-P-1NPACC

- 1 nameplate with call button
- key fob reader



FAM-MOD-9NP

- 1 nameplate with call button
- key fob reader



Example installation



The COMO series units are available in flush- and surface-mounted versions. For more information, see pages 19 and 40.

Selected features of COMO units

- high-resolution colour camera (min. 600 lines) with a wide-angle 2.8 mm lens. Adjustable camera observation direction, with infra-red LED backlight +/- 20° in every direction. Perfect video quality in daylight and at night
- buttons made of stainless steel with individual backlighting, and an option for Braille characters
- individually backlit buttons made of stainless steel with backlit, easily replaceable nameplates
- home automation system: control over external devices such as gates, barriers, lights and roll-ups
- access control - built-in PIN code lock and key fob reader, integrated with the lower nameplate
- may be connected with an external opening button.
- works with electric strikers of various types
- additional acoustic or light notification device can be connected in the apartment
- works with all digital devices using the PRO, PRO-A, PV, P systems

NEW!

New COMO panel functionalities in the 3rd-generation PRO system (for: COMO-PRO-V1 to V6 and COMO-PRO-A1 to A6)

- connecting 2 panels (Master and Slave) within one system
- adding and removing key fobs using the master key fobs (separate ones for each apartment) and the master key fob (one for all)
- programming the settings and updating the hardware using the system's hub
- compatible with earlier generations of the PRO system

For more details, see the table on p. 30.

Dimensions of COMO units

INDEX		DIMENSIONS IN MM (±1 mm)		
		PANELS	BACK BOX, FLUSH-MOUNTED	BACK BOX, SURFACE-MOUNTED, NARROW
VIDEO	COMO-PRO-V1 / FAM-PRO-1NPACC	286 x 90	268 x 73 x 32	
	COMO-PRO-V2 / FAM-PRO-2NPACC	286 x 90	268 x 73 x 32	
	COMO-PRO-V3 / FAM-PRO-3NPACC	286 x 90	268 x 73 x 32	
	FAM-PRO-1NPZSACC	286 x 90	268 x 73 x 32	
	FAM-PRO-2NPZSACC	286 x 90	268 x 73 x 32	
	COMO-PRO-V4	286 x 90	268 x 73 x 32	
	COMO-PRO-V6	286 x 90	268 x 73 x 32	
AUDIO	FAM-PRO-A-1NPZSACC	197 x 90	179 x 73 x 32	
	FAM-PRO-A-1NPZSACC NT	174,8 x 67,8		177,1 x 70 x 36,5/25,4
	FAM-PRO-A-2NPZSACC	197 x 90	179 x 73 x 32	
	FAM-PRO-A-2NPZSACC NT	174,8 x 67,8		177,1 x 70 x 36,5/25,4
	COMO-PRO-A1 / FAM-PRO-A-1NPACC	197 x 90	179 x 73 x 32	
	COMO-PRO-A1 NT / FAM-PRO-A-1NPACC NT	174,8 x 67,8		177,1 x 70 x 36,5/25,4
	COMO-PRO-A2 / FAM-PRO-A-2NPACC	197 x 90	179 x 73 x 32	
	COMO-PRO-A2 NT / FAM-PRO-A-2NPACC NT	174,8 x 67,8		177,1 x 70 x 36,5/25,4
	COMO-PRO-A3 / FAM-PRO-A-3NPACC	197 x 90	179 x 73 x 32	
	COMO-PRO-A3 NT / FAM-PRO-A-3NPACC NT	174,8 x 67,8		177,1 x 70 x 36,5/25,4
	COMO-PRO-A4	197 x 90	179 x 73 x 32	
	COMO-PRO-A4 NT	174,8 x 67,8		177,1 x 70 x 36,5/25,4
	COMO-PRO-A6	197 x 90	179 x 73 x 32	
	COMO-PRO-A6 NT	174,8 x 67,8		177,1 x 70 x 36,5/25,4
VIDEO	FAM-PV-1NPACC	286 x 90	268 x 73 x 32	
	FAM-PV-2NPACC	286 x 90	268 x 73 x 32	
	FAM-PV-4NPACC	286 x 90	268 x 73 x 32	
	FAM-PV-6NPACC	286 x 90	268 x 73 x 32	
	FAM-PV-1NPZSACC	286 x 90	268 x 73 x 32	
	FAM-PV-2NPZSACC	286 x 90	268 x 73 x 32	
	FAM-PV-ZSACC	286 x 90	268 x 73 x 32	
AUDIO	FAM-P-1NPACC	197 x 90	179 x 73 x 32	
	FAM-P-1NPACC NT	174,8 x 67,8		177,1 x 70 x 36,5/25,4
	FAM-P-2NPACC	197 x 90	179 x 73 x 32	
	FAM-P-2NPACC NT	174,8 x 67,8		177,1 x 70 x 36,5/25,4
	FAM-P-4NPACC	197 x 90	179 x 73 x 32	
	FAM-P-4NPACC NT	174,8 x 67,8		177,1 x 70 x 36,5/25,4
	FAM-P-6NPACC	197 x 90	179 x 73 x 32	
	FAM-P-6NPACC NT	174,8 x 67,8		177,1 x 70 x 36,5/25,4
	FAM-P-1NPZSACC	197 x 90	179 x 73 x 32	
	FAM-P-1NPZSACC NT	174,8 x 67,8		177,1 x 70 x 36,5/25,4
	FAM-P-2NPZSACC	197 x 90	179 x 73 x 32	
	FAM-P-2NPZSACC NT	174,8 x 67,8		177,1 x 70 x 36,5/25,4
	FAM-P-ZSACC	197 x 90	179 x 73 x 32	
	FAM-P-ZSACC NT	174,8 x 67,8		177,1 x 70 x 36,5/25,4

Optional surface-mounted back boxes. For more information, see page 40.



#security

INSPIRO+ DOOR ENTRY SYSTEMS

Door entry systems are used every day by millions of people, at home and at work. They have various needs, including many whose day-to-day life requires considerable effort. We pay close attention to the way they use the entry zone, the obstacles they face and all possible solutions to their problems.



PV



INSPIRO+^{video}

- high-resolution colour camera
- 2 mm thick, flat front panel made of brushed stainless steel
- heated LCD display - soft, white backlight.
- built-in access control proximity reader
- ability to open the door and gate using key fobs
- extensive configuration possibilities

May be adjusted to meet the needs of the disabled.

Amenities:

- T-induction loop,
- backlit diodes, voice messages and sounds indicating the function in use
- voice messages available in 3 languages
- keypad with embossed Braille symbols



INSPIRO PMR+

- suitable for the disabled
- PIN code lock with a Braille keypad
- display
- proximity card and key fob reader



INSPIRO 8+

- electronic inhabitant list
- search and call buttons
- display
- PIN code lock
- proximity card and key fob reader



INSPIRO 7+

- electronic inhabitant list
- search and call buttons
- display
- PIN code lock



INSPIRO 6+

- display
- PIN code lock
- proximity card and key fob reader



INSPIRO 4+

- display
- PIN code lock



INSPIRO 15+

- small backlit nameplates
- display
- PIN code lock
- proximity card and key fob reader



INSPIRO 16+

- medium backlit nameplates
- display
- PIN code lock



INSPIRO 11+

- small backlit nameplates
- display
- PIN code lock



INSPIRO 900+

- display
- PIN code lock
- large nameplate with 10 call buttons
- proximity card and key fob reader



INSPIRO 901+

- display
- PIN code lock
- backlit, medium nameplate with 5 call buttons
- proximity card and key fob reader



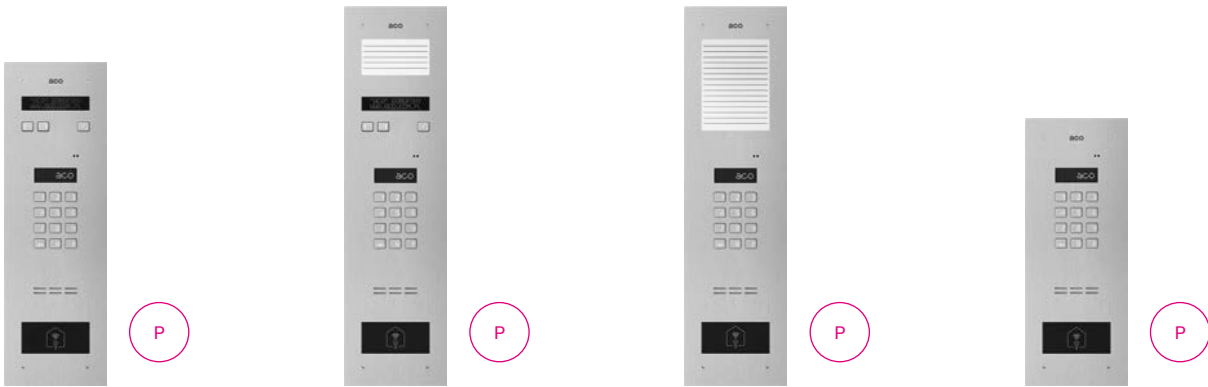
The INSPIRO+ series units are available in flush- and surface-mounted versions. For more information, see pages 27 and 40.

P



INSPIRO+^{audio}

- 2 mm thick, flat front panel made of brushed stainless steel
- heated LCD display -soft, white backlight
- built-in access control proximity reader
- ability to open the door and the gate using key fobs
- extensive configuration possibilities
- panel can be adapted to the needs of the disabled



INSPIRO 5+

- electronic inhabitant list
- search and call buttons
- display
- PIN code lock
- proximity card and key fob reader

INSPIRO 14+

- small backlit nameplates
- electronic inhabitant list
- search and call buttons
- display
- PIN code lock
- proximity card and key fob reader

INSPIRO 13+

- medium backlit nameplates
- display
- PIN code lock
- proximity card and key fob reader

INSPIRO 2+

- PIN code lock
- display
- proximity card and key fob reader



INSPIRO 12+

- small backlit nameplates
- display
- PIN code lock
- proximity card and key fob reader

INSPIRO 3+

- electronic inhabitant list
- search and call buttons
- display
- PIN code lock

INSPIRO 10+

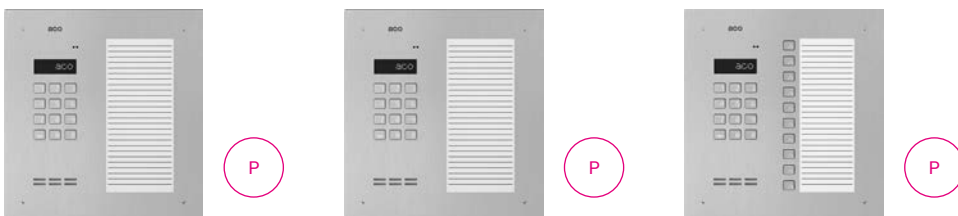
- medium backlit nameplates
- display
- PIN code lock

INSPIRO 9+

- small backlit nameplates
- display
- PIN code lock

INSPIRO 1+

- PIN code lock
- display



INSPIRO 17ACC+

- display
- PIN code lock
- large backlit nameplates
- key fob reader

INSPIRO 17+

- display
- PIN code lock
- large backlit nameplates

INSPIRO 18+

- display
- PIN code lock
- large nameplate with 10 call buttons



The INSPIRO+ series units are available in flush- and surface-mounted versions. For more information, see pages 27 and 40.

New features of INSPIRO+ units

- supports up to 1020 apartments
- 6-digit apartment numbers
- 5 administrator codes
- access control – works with 6144 proximity cards / key fobs
- any number of cards / key fobs assigned to an apartment (out of 6144 available)
- collective changes in number ranges and calling parameters
- 8 priority numbers
- adjustable conversation time
- adjustable number of door openings within a single conversation
- call re-routing to selected additional numbers
- 8 apartment numbers in which the “call without conversation” option can be set
- ability to enable the auto-opening function for each apartment
- enabling/disabling access to external device control separately for each apartment
- 6-character text on the display during doorman call re-routing

General features of INSPIRO+ panels

- perfect picture quality in daylight and at night.
- high-resolution colour camera, with a broad-angle, 2.8 mm lens
- horizontally-adjusted position of the camera's surveillance direction
- IR LED backlight
- heated LCD display
- electronic, alphabetical, backlit description list
- backlit description list with call buttons
- home automation system: control over external devices such as gates, barriers, lights and blind rollers using a code lock, proximity card / key fob or indoor unit.
- may be connected with an external opening button.
- works with electric strikers of various types
- 2 mm thick, flat front panel made of brushed stainless steel
- weather-resistant and vandal-proof
- extensive configuration possibilities individually for every apartment
- intuitive and convenient interface
- amenities for the disabled (such as backlit, Braille-adjusted keypad buttons, acoustic and optical panel function signalling)

Dimensions of INSPIRO+ panels

	INDEX	INSPIRO+ DIMENSIONS			OPTIONAL SURFACE-MOUNTED BACK BOXES
		PANELS	BACK BOXES	NAMEPLATE	
video	INSPIRO PMR+	111 x 412	92 x 393 x 31,5	–	INS-P-XL NT 415,4 x 114,4 x (61/51)
	INSPIRO 4+/4S+	111 x 290	92 x 271 x 31,5	–	INS-P-M NT 293,4 x 114,4 x (61/51)
	INSPIRO 6+/6S+	111 x 351	92 x 332 x 31,5	–	INS-P-L NT 354,4 x 114,4 x (61/51)
	INSPIRO 7+/7S+	111 x 351	92 x 332 x 31,5	–	INS-P-L NT 354,4 x 114,4 x (61/51)
	INSPIRO 8+/8S+	111 x 412	92 x 393 x 31,5	–	INS-P-XL NT 415,4 x 114,4 x (61/51)
	INSPIRO 11+/11S+	111 x 351	92 x 332 x 31,5	small – 73 x 39	INS-P-L NT 354,4 x 114,4 x (61/51)
	INSPIRO 15+/15S+	111 x 412	92 x 393 x 31,5	small – 73 x 39	INS-P-XL NT 415,4 x 114,4 x (61/51)
	INSPIRO 16+/16S+	111 x 412	92 x 393 x 31,5	medium – 73 x 99,5	INS-P-XL NT 415,4 x 114,4 x (61/51)
	INSPIRO 900+/900S+	216 x 290	198,5 x 272,5 x 31,5	large 59 x 166 10 call buttons	INS-P-XXXL NT 293,8 x 219,8 x (61/51)
	INSPIRO 901+/901S+	216 x 290	198,5 x 272,5 x 31,5	small 59 x 83 5 call buttons	INS-P-XXXL NT 293,8 x 219,8 x (61/51)
audio	INSPIRO 1+/1S+	111 x 229	92 x 210 x 31,5	–	INS-P-S NT 232,4 x 114,4 x (61/51)
	INSPIRO 2+/2S+	111 x 290	92 x 271 x 31,5	–	INS-P-M NT 293,4 x 114,4 x (61/51)
	INSPIRO 3+/3S+	111 x 290	92 x 271 x 31,5	–	INS-P-M NT 293,4 x 114,4 x (61/51)
	INSPIRO 5+/5S+	111 x 351	92 x 332 x 31,5	–	INS-P-L NT 354,4 x 114,4 x (61/51)
	INSPIRO 9+/9S+	111 x 290	92 x 271 x 31,5	small – 73 x 39	INS-P-M NT 293,4 x 114,4 x (61/51)
	INSPIRO 10+/10S+	111 x 351	92 x 332 x 31,5	medium – 73 x 99,5	INS-P-L NT 354,4 x 114,4 x (61/51)
	INSPIRO 12+/12S+	111 x 351	92 x 332 x 31,5	small – 73 x 39	INS-P-L NT 354,4 x 114,4 x (61/51)
	INSPIRO 13+/13S+	111 x 412	92 x 393 x 31,5	medium – 73 x 99,5	INS-P-XL NT 415,4 x 114,4 x (61/51)
	INSPIRO 14+/14S+	111 x 412	92 x 393 x 31,5	small – 73 x 39	INS-P-XL NT 415,4 x 114,4 x (61/51)
	INSPIRO 17+/17S+	216 x 229	197 x 210 x 31,5	large – 73 x 166	INS-P-XXL NT 232,6 x 219,6 x (61/51)
	INSPIRO 17ACC+/17ACC S+	216 x 229	197 x 210 x 31,5	large – 73 x 166	INS-P-XXL NT 232,6 x 219,6 x (61/51)
	INSPIRO 18+/18S+	216 x 229	197 x 210 x 31,5	large 59 x 166 10 call buttons	INS-P-XXL NT 232,6 x 219,6 x (61/51)

AUTONOMOUS UNITS

Recommended for locations like garages, basements or garbage disposal rooms where access control is essential. Available in flush- and surface-mounted versions.



Pin code lock INS-ZS

- flat front panel made of brushed stainless steel
- supports up to 255 individual PIN codes
- stainless steel buttons with individual backlighting and an option for Braille characters
- two independently controlled outputs
- compatible with ACO code table
- works with electric strikers of various types
- programming via a device or computer with a USB cable
- free software available at www.aco.com.pl



Proximity reader INS-ACC

- flat front panel made of brushed stainless steel
- operation standard:
- Unique 125 kHz
- supports up to 255 apartments; up to 1536 proximity elements
- LCD display
- works with electric strikers of various types
- programming via a device or computer with a USB cable
- free software available at www.aco.com.pl



NO button INS-OB-60

- backlit button
- flush-mounted
- in Ø60 cable boxes
- flat front panel made of brushed stainless steel,
- 2 mm thick
- performs the opening and calling functions in ACO systems
- works as a NO button
- weather-resistant and vandal-proof



NO button INS-OB

- for flush mounting or mounting inside a dedicated surface-mounted back box
- flat front panel made of brushed stainless steel,
- 2 mm thick
- performs the opening and calling functions in ACO systems
- works as a NO button
- weather-resistant and vandal-proof

INDEX	DIMENSIONS IN MM (±1 mm)		OPTIONAL	
	FRONT	BACK BOXES	BACK BOXES, SURFACE-MOUNTED	CABLE BOXES Ø60
INS-ACC	111 x 130	90 x 110 x 31	INS-P-XS NT 113,2 x 132,2 x (37,5/29,5)	–
INS-ZS	111 x 130	90 x 110 x 31	INS-P-XS NT 113,2 x 132,2 x (37,5/29,5)	–
INS-OB	77,6 x 77,6	57,8 x 57,8 x 31,3	INS-P-XXS NT 80 x 80 x (34/25,5)	–
INS-OB-60	77,6 x 77,6	–	–	•



Autonomous devices may be flush- or surface-mounted.

PRODUCT CUSTOMISATION

Do you wish to make your panel stand out or to adapt it to particular needs? We give you a number of options to choose from:

- we make brushed stainless steel door entry systems of all shapes and sizes
- we etch custom logotypes and text
- we adapt the devices to the needs of the disabled
- we combine various functions within one device
- we make other modifications according to the specifications provided by the customer



Panel group comparison table

PRODUCT CHARACTERISTICS		COMO				INSPIRO+	
		VIDEO		AUDIO		VIDEO	AUDIO
		System	PV	PRO	P	PRO A	PV
LCD display	-	-	-	-	•	•	
Built-in PIN code lock functionality	•	•	•	•	•	•	
Built-in video camera	•	•	-	-	•	-	
Max. number of backlit direct call buttons	6	6	6	6	10	10	
(1) Ability to increase the number of backlit direct call buttons up to:	-	-	150	255	-	-	
Max. number of apartments supported	12 / 150 (1)	3 or 1023 (1) for COMO-PRO	12 / 150 (1)	3 or 1023 (1) for COMO-PRO	255 / 1020 (2)	255 / 1020 (2)	
(2) Ability to increase the number of apartments supported up to 1020 using a SW4S-DIN module	-	-	-	-	•	•	
Max. number of digits for an apartment number	-	-	-	-	6	6	
Number of PIN codes (4 digits)	12	3	12	3	1020	1020	
Number of admin codes (4 or 6 digits)	2	1	2	1	5	5	
Ability to make calls using the PIN keypad	•	-	•	-	•	•	
Max. numbers of cards / key fobs (ACC reader)	192	40 or 10240 for COMO-PRO	192	40 or 10240 for COMO-PRO	6144	6144	
Max. number of cards / key fobs for a single apartment from the pool available	6	10	6	10	6144	6144	
Max. number of cards / key fobs for admin access, not assigned to any apartment	6	10	6	10	6144	6144	
Any number of installer access cards / key fobs providing access to settings	-	-	-	-	•	•	
Intercom	-	•	-	•	-	-	
Panel function sound or visual signalling	•	•	•	•	•	•	
Extensive configuration possibilities, individually for every apartment	•	- / YES for COMO-PRO	•	- / YES for COMO-PRO	•	•	
Adjustable conversation time	•	-	•	-	•	•	
Adjustable number of door opening actions during a conversation (1 - 3)	-	-	-	-	•	•	
Collective call number range modification	-	-	-	-	•	•	
Collective call parameter modification	-	-	-	-	•	•	
Number of apartments able to toggle automatic opening	2	-	2	-	1020	1020	
Sound signal in the apartment when the door is opened (ringing)	•	•	•	•	•	•	
Number of apartments for which one can toggle the "call without conversation" option	2	-	2	-	8	8	
Multiple indoor units responding to the same call number (active indoor units)	•	•	•	•	•	•	
Toggling access to external equipment control separately for each apartment	-	-	-	-	•	•	
Additional priority numbers with customisable calling parameter settings	2	-	2	-	8	8	
Call re-routing if the call is not picked up	-	-	-	-	•	•	

FUNCTIONALITY AND CONFIGURATION POSSIBILITIES

PRODUCT CHARACTERISTICS		COMO				INSPIRO+	
		VIDEO		AUDIO		VIDEO	AUDIO
		System	PV	PRO	P	PRO A	PV
FUNCTIONALITY AND CONFIGURATION POSSIBILITIES	Operation in Master/Slave or Multimaster multi-input systems	●	- / YES for COMO-PRO	●	- / YES for COMO-PRO	●	●
	Built-in home automation system control over external devices such as gates, barriers, lights and roll-ups	-	-	-	-	●	●
	Compatible with many extension modules expanding the panels' functionality, including amenities for the disabled (CDN-U module), home automation control (CDN-I/O module), etc.	●	●	●	●	●	●
	Hallway opening functionality - opening the door once at the level of the first door entry panel triggers the automated opening of doors operated using the subsequent panels	●	-	●	-	●	●
	Doorman calling	●	-	●	-	●	●
	Ability to enter a 6-character text on the display during doorman call re-routing	-	-	-	-	●	●
	Compatible with electric door strikers	●	●	●	●	●	●
	Opening electric door strikers or additional relay outputs without conversation	●	●	●	●	●	●
	Adjustable electric door striker operation time	●	●	●	●	●	●
	Inside unit presence detection	-	●	-	●	-	-
	Output for connecting the electric striker directly	●	●	●	●	●	●
	The door striker output may be powered using a separate power supply	-	●	-	●	-	-
MOUNTING	Dedicated frames with handles used to suspend the central unit for the duration of the mounting process	-	-	-	-	●	●
	Inside unit (line)-bus wiring type	UTP cat. 5e/6	UTP cat. 5e/6	2 wires	3 wires	UTP cat. 5e/6	2 wires
	Wiring required to be connected to the panel	bus + power supply	bus	bus + power supply	bus	bus + power supply	bus + power supply
	Maximum line length	1000 m	300 m or 1000 m for COMO-PRO	1000 m	300 m or 1000 m for COMO-PRO	1000 m	1000 m
	Power supply 15 VDC	●	●	●	●	●	●
	Power supply 11.5 VAC (+/- 0.5 V)	-	-	●	-	-	●
PROGRAMMING	Managing proximity cards / key fobs using a computer (connected with a CDN-USB cable)	●	●	●	●	●	●
	Adding and removing cards / key fobs using the pane (*adding only)	-	●	-	●	*	*
	Setting adjustment, software updates and managing key fobs via the system bus (using PRO-USB)	-	- / YES for COMO-PRO	-	- / YES for COMO-PRO	-	-
	Setting adjustment using the panel	●	-	●	-	●	●
	Adjusting any settings using a computer (w/CDN-USB cable)	●	●	●	●	●	●
	Adjusting settings using a computer in the absence of any external power supply for the panel (w/CDN-USB cable)	-	●	-	●	●	●
	Updating the panel's software (using a CDN-USB cable)	-	●	-	●	-	-
	Free software and updates available in the "download" tab on the website	●	●	●	●	●	●



#activity



INDOOR UNITS

The charm of a sublime interior can be emphasized by a well-designed, minimal form, with thoughtful and practical solutions that make everyday life easier.

We pay close attention to worldwide trends and know well how to make our solutions intuitive and useful, reliable and aesthetically pleasing, as well as innovative and a pleasure to use.



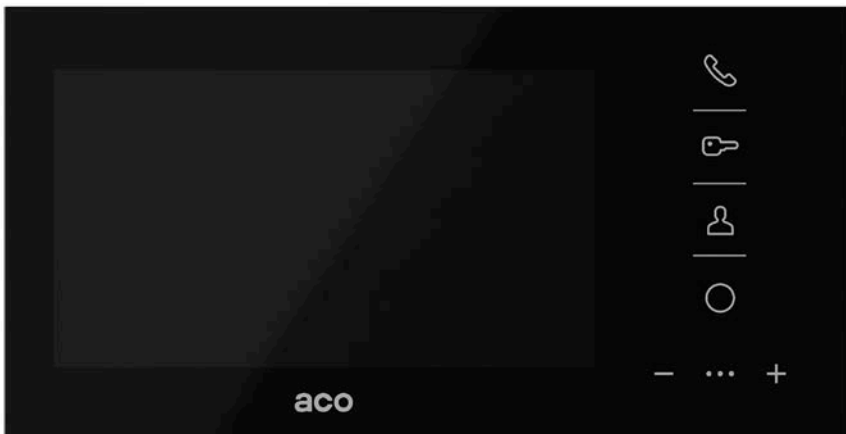
INDOOR UNITS NO HANDSET

#glass

VIDEO INDOOR UNIT WITH A GLASS FRONT PANEL



Video indoor unit
GLASS-PRO-7 WH (compatible with the PRO system),
MPRO7 WH (compatible with the PRO system),
INS-MP7 WH (compatible with the PV system)



Video indoor unit
GLASS-PRO-7 BK (compatible with the PRO system),
MPRO7 WH (compatible with the PRO system),
INS-MP7 BK (compatible with the PV system)

- flat front panel made of glass
- 7" display allowing the adjustment of video parameters
- home automation system: control over external devices such as gates, barriers, lights and roll-ups
- backlit function touch icons
- intercom: interconnectivity between video monitors (PRO System)
- 7-level volume control
- connecting extra external video camera possible (for: INS-MP7)
- ability to connect 4 additional external video cameras using an additional module (MPRO7 / GLASS-PRO-7)
- doorbell functionality (not available for MPRO7)

ADDITIONAL FEATURES OF GLASS-PRO-7:

- 8 melodic ringtones
- ability to configure settings and perform software updates via the bus of either a single monitor or all monitors in the system



The newest **acoGO!** products may be used as indoor units as well. p. 8

#smart



TOUCH-OPERATED

- 3.5" display with parameter adjustment clear colour video
- home automation system: control over external devices such as gates, entry bars, lighting and roll-ups
- backlit function touch icons
- available in video and audio versions
- 7-level volume control
- doorbell function

audio



Uniphone UP800

Uniphone UP800V



Convert the UP800V uniphone in to a MP800 video indoor unit

video



Video indoor unit MP800 3,5"

UP800 module LCD 3,5"

INDOOR UNITS HANDSETS

#basic

PRO

PV



Video indoor unit
MPRO 4 (compatible with the PRO system),
MPRO 3,5 (compatible with the PRO system),
INS-MPR 4" (compatible with the PV system),
INS-MPR 3,5" (compatible with the PV system)

- colour display with adjustable parameters
- connecting extra external video camera possible (for: INS-MPR)
- doorbell function
- 3 buttons: opening, F2 and video preview
- home automation: control over external devices such as gates, entry bars, lighting and roll-ups
- magnetic handset hang-up PV
- answering intercom calls (MPRO)
- indoor unit call and mute signal diode (MPRO)
- ability to call multiple indoor units simultaneously

PRO

PRO-A

PV

P



UPRO

- answering intercomcalls
- doorbell functionality
- call and mute signal diode
- magnetic handset hang-up
- 2 buttons: opening and F2
- compatible with home automation
- ability to call multiple indoor units simultaneously
- compatible with PRO and PRO-A systems

INS-UP

- magnetic handset hang-up
- 2 buttons: opening and F2
- compatible with home automation
- compatible with the PV and P systems

PV

P



INS-UP720MR

- doorbell function
- magnetic handset hang-up
- 2 buttons: opening and F2
- compatible with home automation
- Hold and Office functionalities
- ability to call multiple indoor units simultaneously
- compatible with PV and P systems

INS-UP720M

- magnetic handset hang-up
- 2 buttons: opening and F2
- compatible with home automation
- Hold and Office functionalities
- compatible with PV and P systems

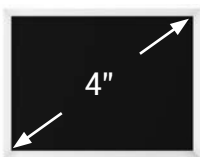
PV

P



Uniphone INS-UP720B

- traditional handset hang-up 2 hooks
- 1 button: opening
- Hold and Office functionalities
- compatible with the PV, P system



Display 4"



Display 3,5"



Transparent volume slider with a call and mute signal diode (for PRO)



Hold and Office functionalities

The newest **acoGO!** products may also be used as indoor units p. 8

ACO functionalities and characteristics

		GLASS		SMART			BASIC							
INSIDE UNIT MODEL		MPRO7 GLASS-PRO-7	INS-MP7	MP800	UP800V	UP800	MPRO 4 MPRO 3,5	UPRO	INS-MPR 4* INS-MPR 3,5*	INS-UP	INS-UP720 MR	INS-UP 720M	INS-UP720B	
WIRING TYPE // NUMBER OF CONDUCTORS		UTP	UTP	UTP	UTP	4	UTP	3	UTP	2	4	2	2	
COMPATIBLE WITH		PRO, PRO-A	PV, P	PV, P	PV, P	PV, P	PRO, PRO-A	PRO, PRO-A	PV, P	PV, P	PV, P	PV, P	PV, P	
INSIDE UNIT TYPE		digital/ active	digital/ active	digital/ active	digital/ active	digital/ active	digital/ active	digital/ active	digital/ active	digital/ passive	digital/ active	digital/ passive	digital/ passive	
EXTERNAL CHARACTERISTICS	Colour display	●	●	●	optional	-	●	-	●	-	-	-	-	
	Inside unit kind	speaker	speaker	speaker	speaker	speaker	handset	handset	handset	handset	handset	handset	handset	
	Backlit touch icons	●	●	●	●	●	-	-	-	-	-	-	-	
	Flat front panel	●	●	●	●	●	-	-	-	-	-	-	-	
	Glass front panel	●	●	-	-	-	-	-	-	-	-	-	-	
	Colour variant	white and black	white and black	white	white	white	white	white	white	white	white	white	white	white
	Magnetic handset hang-up	-	-	-	-	-	-	●	●	●	●	●	-	
	inside unit base dimensions in mm (width x height x depth)	237x121x25	237x121x25	81x197x26	81x197x26	81x122x26	104x175	80x122x39	104x175	81x122x39	80x201x45	80x201x45	80x201x45	
FUNCTIONALITIES	Doorbell function	- / YES for GLASS-PRO-7	●	●	●	●	●	●	●	-	●	-	-	
	Potential-free contact, NO-type output (separated from the system)	-	-	● ¹⁾	● ¹⁾	● ¹⁾	●	●	-	-	●	●	-	
	Additional, independent camera can be connected directly	-	●	-	-	-	-	-	●	-	-	-	-	
	Camera preview without answering the call	●	●	●	●	-	●	-	●	-	-	-	-	
	Opening the door without answering the call	●	●	●	●	●	●	●	●	●	●	●	●	
	Home automation control	●	●	●	●	●	●	●	●	●	●	●	-	
	Home automation control without making/ answering call	●	-	● ¹⁾	● ¹⁾	● ¹⁾	●	●	-	-	●	●	-	
	Ability to open the door and operate home automation without making/answering a call	●	-	-	-	-	●	●	-	-	-	-	-	
	Visual indication of ringing and mute mode	●	●	●	●	●	●	●	-	-	* mute only	-	-	
	Office functionality auto opening	●	●	● ¹⁾	● ¹⁾	● ¹⁾	-	-	-	-	● ²⁾	● ²⁾	● ²⁾	
	Hold functionality ability to lay the handset off without disconnecting	-	-	-	-	-	-	-	-	-	●	●	●	
	Answering intercom calls	●	-	-	-	-	●	●	-	-	-	-	-	
	Bilateral intercom functionality	●	-	-	-	-	-	-	-	-	-	-	-	
	Ability to call multiple inside units simultaneously	●	●	●	●	●	●	●	●	-	●	-	-	
	Call volume adjustment	7-stage	7-stage	7-stage	7-stage	7-stage	3-stage	3-stage	3-stage	3-stage	3-stage	3-stage	3-stage	
	Supports call addresses from the pool: (programmed in the inside unit using switches / jumpers)	3 / 127 for GLASS- PRO-7	255	255	255	255	255 / 127 for inside units 3 generations (G3)	255 / 127 for inside units 3 generations (G3)	255	255	255	255	255	
INSTALLATION	Power supply required	●	●	●	●	●	●	●	●	-	●	-	-	
	Connector type	RJ45/ screw	RJ45/ screw	RJ45/ screw	RJ45/ screw	RJ45/ screw	RJ45/ screw	screw	RJ45/ screw	screw	RJ45/ screw	screw	screw	

¹⁾ functionalities available for second-generation (G2) indoor units

²⁾ toggled in the panel





MOUNTING ELEMENTS AND ACCESSORIES



MOUNTING ELEMENTS

COMO installation back boxes

Installation back boxes of brushed stainless steel for COMO units.
Available in various sizes as well as flush- and surface-mounted versions.



**Back box
PNT2-FAM-P**
Surface-mounted back box
with a rain shield.

**Back box
FAM-PP-S**
Additional boxes facilitating
installation during hole handling.

COMO BACK BOX INDEX	DIMENSIONS IN MM (± 1 mm)
PNT2-FAM-P	199,4 x 92,4 x 53/39
PNT2-FAM PV/PRO	288,4 x 92,4 x 53/39
FAM-PP-S	188 x 82 x 46
FAM-PP-M	277 x 82 x 46

INSPIRO installation back boxes

Stainless steel installation back boxes for INSPIRO+ panels. Available
in various sizes, as well as in flush- and surface-mounted versions.



INS-P-S NT back box
Surface-mounted back box
with a rain shield.

INS-PP-S back box
Additional boxes facilitating
installation during hole handling.

INSPIRO BACK BOX CODE	EXTERNAL DIMENSIONS IN MM (± 1 mm)	SUPPORTED PANELS
INS-P-XXS NT	80 x 80 x (34/25,5)	INS-OB
INS-P-XS NT	132,2 x 113,2 x (37,5/29,5)	INS-ZS, INS-ACC
INS-P-S NT	232,4 x 114,5 x (61/51)	INSPIRO 1
INS-P-M NT	293,4 x 114,4 x (61/51)	INSPIRO 2, 3, 4, 9
INS-P-L NT	354,4 x 114,4 x (61/51)	INSPIRO 5, 6, 7, 10, 11, 12
INS-P-XL NT	415,4 x 114,4 x (61/51)	INSPIRO 8, 13, 14, 15, 16, PMR
INS-P-XXL NT	232,6 x 219,6 x (61/51)	INSPIRO 17, 17ACC, 18
INS-P-XXXL NT	293,8 x 219,8x(61/51)	INSPIRO 900, 901

INSPIRO BACK BOX CODE	EXTERNAL DIMENSIONS IN MM (± 1 mm)	SUPPORTED PANELS
INS-PP-XS	118,6 x 98,6 x 56,5	INS-ZS, INS-ACC
INS-PP-S	219 x 101 x 56,5	INSPIRO 1
INS-PP-M	280 x 101 x 56,5	INSPIRO 2, 3, 4, 9
INS-PP-L	341 x 101 x 56,5	INSPIRO 5, 6, 7, 10, 11, 12
INS-PP-XL	401 x 101 x 56,5	INSPIRO 8, 13, 14, 15, 16
INS-PP-XXL	219 x 206 x 56,5	INSPIRO 17, 17ACC, 18, PMR
INS-PP-XXXL	280 x 206 x 56,5	INSPIRO 900, 901

COMO wall covers

If the hole remaining after removing the previous unit is too large, COMO panels allow you to cover it quickly and aesthetically.



Wall cover
FAM-M-M

Adapters

These allow you to make a roofed, flush-mounted version out of a wall-mounted one. Compatible with narrow surface-mounted back boxes.

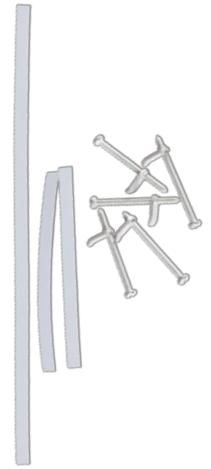


Adapter
FAM-R-S-NT/PT
COMO P panel adapter

FAM-R-M-NT/PT
COMO PV and PRO
panel adapter

Mounting kit

Special ABS box accessories that make post or plasterboard mounting easier.



Mounting kit
MONT-PPT-FAM

CODE	HOLE DIMENSIONS IN MM (+/- 1 mm)	
	OUTSIDE DIMENSION	EXTERNAL DIMENSIONS
FAM-M-S	231,6 x 128,6	197,4 x 90,4
FAM-M2-S	267,6 x 168,6	197,4 x 90,4
FAM-M-M	320,6 x 128,6	286,4 x 90,4
FAM-M2-M	356,6 x 128,6	286,4 x 90,4

CODE	HOLE DIMENSIONS IN MM (+/- 1 mm)	
	OUTSIDE DIMENSION	INTERNAL DIMENSIONS FOR MOUNTING
FAM-R-S-NT/PT	217 x 110	181 x 74,5 x 24,5
FAM-R-M-NT/PT	306 x 110	270 x 74,5 x 34

SELECTED ACCESSORIES

Software

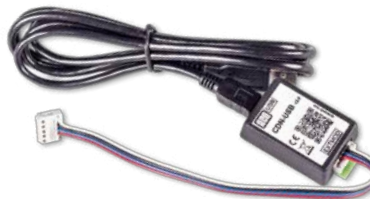
Free software for ACO equipment set-up and design of nameplate lists. Available at the installer's webpage at www.aco.com.pl.



CDN-USB cable

Cable intended for programming compatible ACO digital devices using a computer.

CDN-USB



NEW! PRO-USB

Computer interface for management of setting and software updates for third-generation (G3) PRO 3 devices via the door entry system bus.



Key fob

Operates under the UNIQUE 125 kHz standard. The key fob is intended for all ACO systems fitted with proximity reader and other devices operating to this standard.

TR-ACO (N, SZ)



Video monitor stand

Allows you to place a GLASS-PRO-7 / MPRO-7 or INS-MP7 video indoor unit on your desk, cabinet, etc. An alternative solution to a traditional wall mount.

FAM-MPRO 7-S





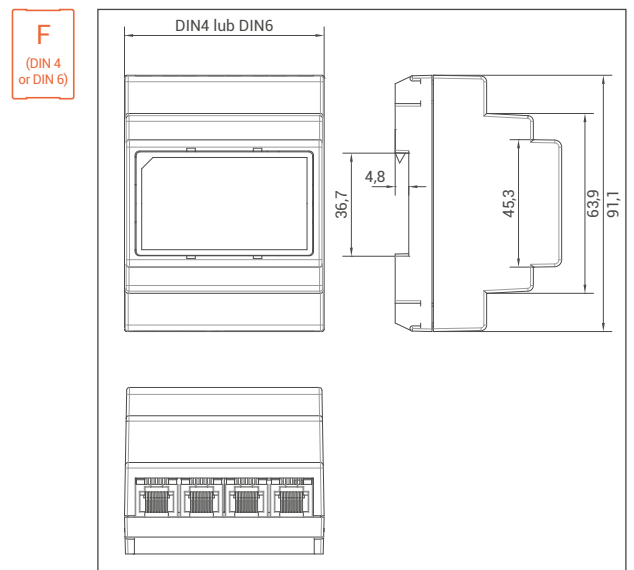
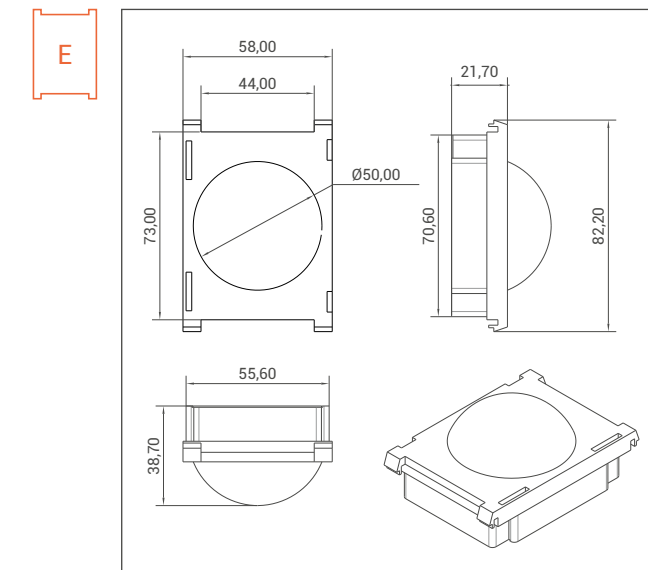
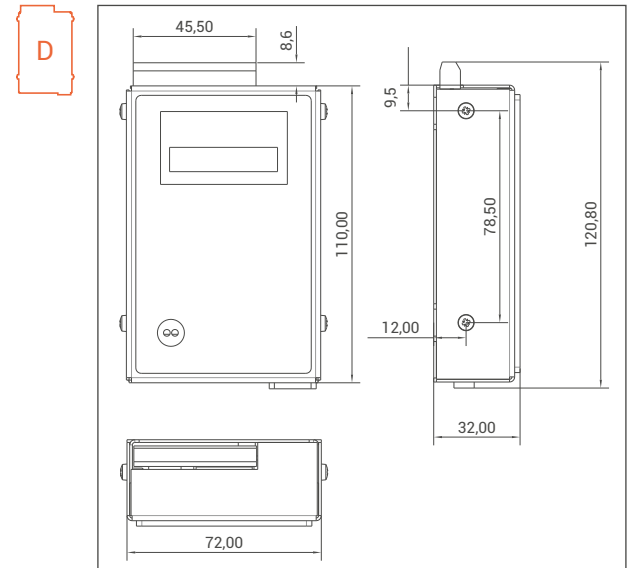
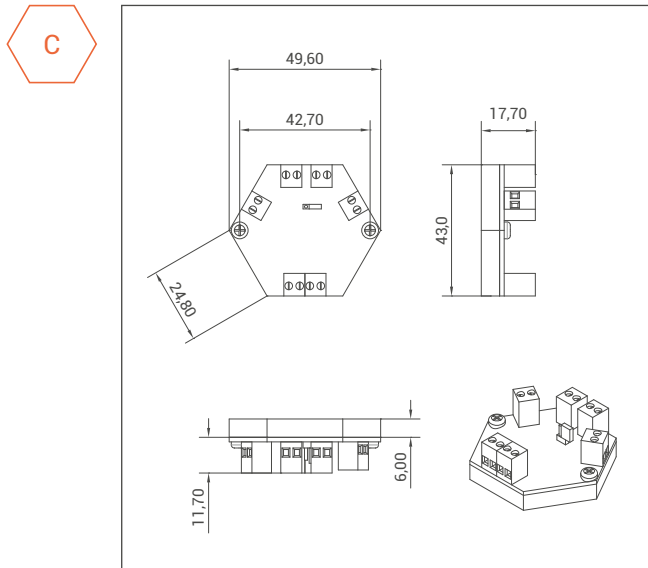
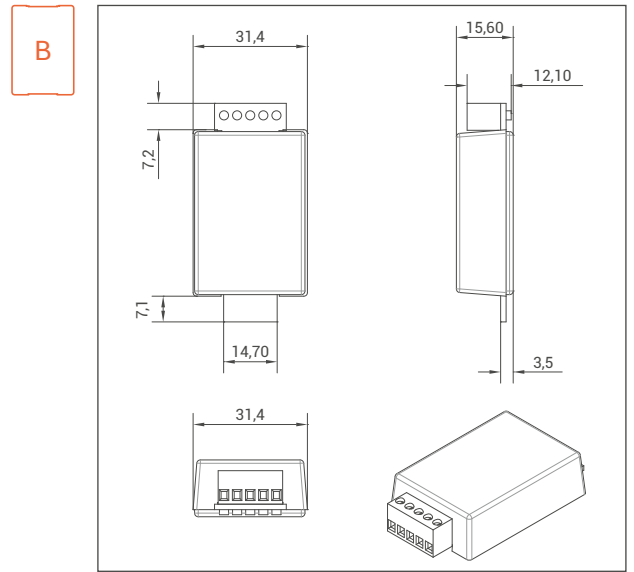
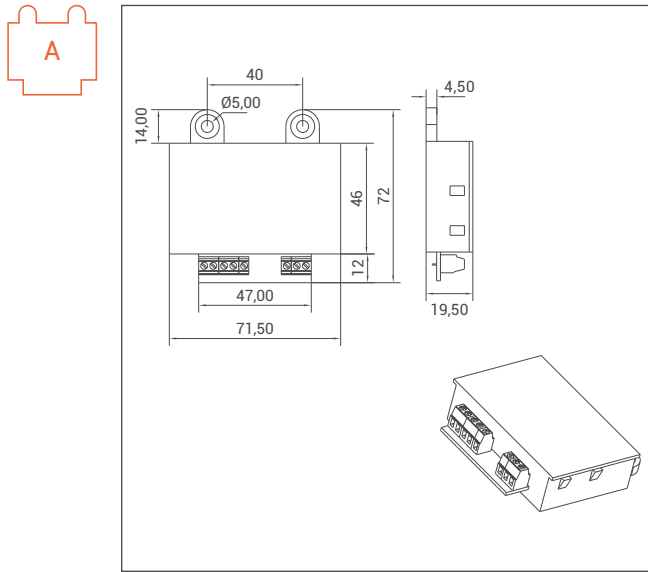
#friendship



ADDITIONAL MODULES, POWER AND DIAGRAMS



MODULES – REFERENCE DRAWINGS



SPECIAL MODULES



ARK-RS • converter set for distance extension

The set includes two ARK-RS adapters. They extend the distance between modules and an EXTMOD connector in a panel. The converters must be connected using a 5-wire cable via ARK screw terminals.

For the purpose of data transmission, the maximum cable length depends on external interference. Compatible with selected devices equipped with EXTMOD ports.



CDN-TROJNIK • module splitter

A splitter for modules to extend system functionality. It is necessary to connect more than two modules to an outside unit (using an EXTMOD port).

Has one input and two outputs. Compatible with selected devices equipped with EXTMOD ports.



CDN-MM • multimaster star-type installation

The Multimaster module is used to connect up to five Master panels. The star-type connection allows simpler and shorter mounting.

Has 5 inputs and 1 output to connect the devices or a Slave panel. Compatible with selected digital devices in the following product ranges: CDN, INSPIRO.



CDN-WZ • short-circuit and damage detection module

The module is used to detect short circuits and audio indoor unit damage. It has five independently controlled outputs used to directly connect an audio indoor unit or a group of such units. An output subject to a short-circuit or audio indoor unit damage is automatically disconnected from the

main line, preventing the entire door entry system from failing. A fault detected on an output is indicated by a LED. Once the short-circuit is rectified, the module re-engages the output automatically. Compatible with selected digital devices in the following product ranges: CDN, INSPIRO and COMO / Familio-P.



PRO-VIDEO-SW2-60 (G3), VIDEO-SW2 MINI-60 • camera switch for Ø60 mm cable box

An additional camera switch module for the PRO digital system. It allows connection of 4 additional cameras into the system. Each switch operates one additional camera. They may be operated globally or individually for each address, provided the maximum total number of all operated cameras is 4. In order to switch to views from particular cameras, the user must press the "monitor" icon/button.

The module has no housing as it is intended to be mounted in a Ø60 mm diameter cable box. Compatible with all devices from the COMO / Familio PRO ranges.

NEW: PRO-VIDEO-SW2-60 (G3) features additional 3rd-generation (G3) PRO 3 and supports a greater number of addresses for COMO-PRO/PRO-A panels.



CDNV-RJ45 • RJ45-ARK converter

This module allows conversion from the RJ45 connector to ARK screw connectors in digital video systems. This results in increasing the cable cross-section up to 2.5 mm² of the bus line ("Line +" and "Line -").

The bus gauge influences the maximum distance between the panel and the farthest indoor unit – max. distance of 1000 m. Compatible with all ACO video systems.



MOD-DC-12V • converter module

A module for voltage conversion from 14 - 16 VDC to 12 VDC / 0.5 A. The module is used when connecting reverse strikers requiring a power supply of 12 V to ACO devices

It is compatible with all ACO devices supporting reverse door strikers.



PRO-RJ45-ARK-60 • adapter RJ45 - ARK converter for the PRO system

This module facilitates conversion from RJ45 connectors to ARK screw terminals in digital PRO systems. Useful when there is no way to fasten the RJ45 pins or when the particular wires require conversion to connect to the RJ45.

For mounting in a 60 mm cable box, compatible with the digital PRO system.

RELAYS



CDN-PK • relay

The universal relay module makes it possible to connect a traditional e-lock and a reversible e-lock or any given compatible device via electromagnetic jumper relay contacts. Easy connection, facilitated by the provided ARK type screw terminals. Has a built-in condenser, enabling it to work with compatible ACO devices with outputs for connecting the electric striker.

In selected device models, installation directly in a frame or back box is possible. Compatible with selected digital devices from the following product ranges: CDN, INSPIRO and COMO / Familio-P, PV. Relay parameters: 12 V, one pair of NO/NC contacts, load 5 A / 24 VDC.



CDN-PK+ • extended relay

The CDN-PK+ module is an extended version of CDN-PK. It offers output operation time adjustment capabilities. It allows connection of a NO button activating outputs in a time-controlled or bistable manner. Easy connection, facilitated by the ARK type screw terminals. It requires a power supply, but comes with an EXTMOD connector to communicate compatible ACO devices.

It facilitates connection of a traditional e-lock and a reversible e-lock or any given compatible device via electromagnetic jumper relay contacts. In selected device models, installation directly in a frame or back box is possible. Relay parameters: 12 V, one pair of NO/NC contacts, load 5 A / 24 VDC.

VIDEO LINE COMBINERS



CDNVS • video line combiner

A video line combiner is a starting point for a digital video door entry system bus. Typically used with Master-type panels. It allows you to connect the power supply to the panel and introduces it into the bus (based on a cat. 5e or 6 twisted pair cable) along with the panel camera video and audio signal ("LINE"). Mounted directly inside the panel. Features the "A" type casing, and selected models allow installation directly in a frame or back box.

The module also converts the standard PAL signal into a differential video signal (transmitted via a cat. 5 or 6 twisted pair) of the ACO standard, supported by all ACO video monitors. Compatible with digital panels and camera modules of the following product ranges: CDNP, INSPIRO and COMO/Familio P with an external camera.



CDNVSp • indirect line combiner

This indirect combiner allows another slave-type panel to be connected to the video door entry system. The module possesses functionalities similar to those of the CDNVS combiner, except for the fact that it additionally transmits the audio signal of the previous panel ("ML") out of the bus. Mounted directly inside the panel. Has an A-type casing, and selected

models allow mounting directly inside the frame or back box. The module is responsible for proper view switching. Works with a 5e or 6 twisted-pair cable hub. Compatible with digital panels and camera modules of the following product ranges: CDNP, INSPIRO and COMO/Familio P with an external camera.



CDNVSbk • intermediate video line combiner (no camera)

This indirect combiner with no camera allows another camera-less slave-type panel to be connected to the video door entry system. The module transmits the audio signals of the current and previous panels out of the bus. Similarly to the other combiners, it works with buses based on a 5e or 6 twisted pair cable.

Does not need to be installed in the panel directly. Has an A-type casing, and selected models allow mounting directly in the frame or in the back box. Compatible with Slave type digital panels without a camera module from the following ranges: CDNP, INSPIRO and COMO / Familio-P.



FAM-PV-SP • intermediate video line combiner (only for Familio PV)

This combiner allows another Familio/Como PV panel to be connected. It introduces the power supply into the bus and is responsible for proper view switching. Similarly to the other combiners, it works with buses based on a 5e or 6 twisted pair cable.

Does not need to be installed in the panel directly. It has an A-type casing and selected device models allow direct mounting in a frame or back box. Compatible with digital devices of the COMO / Familio PV range.



CDNVS-60 • video line combiner installed in Ø60 mm cable boxes

This combiner is designed for use in situations where an external analogue camera or another video signal source needs to be connected to video door entry systems that, for example, do not have a video camera in the panel. The module converts a PAL signal into a differential video signal (transmitted via a cat.5e or 6 twisted pair) of the ACO standard, supported by

all ACO video monitors. It can also be used to connect another camera in INS-MP7 video indoor units or to a camera switch module (VIDEO-SW2 MINI 60). The module comes without a housing to be mounted in a Ø60 mm diameter cable box. Compatible with selected digital devices from the following product ranges: CDNP, INSPIRO and COMO / Familio.

SPLITTERS

F

CDNARu-DIN • audio splitter for DIN bus

Splits and routes the audio and video signals, as well as the power supply, to the respective outputs. Intended for mounting on a DIN rail, as well as surface mounting. Has 4 audio signal and electricity transmission outputs, as well as 1 pass-through output for transmitting the video signal. It enables connection to 5 indoor units or splitting the main bus, connection to another splitter or termination of the main bus. It is installed on individual floors, in an installation collective point or in a location where a bus is split. It may transmit a signal to outputs powered by the bus or by an external 15 V power supply (integrated jumper that cuts off power from the bus line).

Four outputs (for indoor units) are secured on the power supply line with a polymer fuse (automatically restoring voltage supply, after a short-circuit is rectified and the supply voltage is reset). Works with a 5e or 6 twisted-pair cable hub, with RJ45-type output sockets. Has an additional screw connector for connecting an audio line, such as for passive (two-wire) indoor units. It covers the width of four DIN modules. Compatible with selected digital devices from the following product ranges: CDNP, INSPIRO and COMO / Familio.

F

CDNVRau-DIN • DIN rail-mounted video splitter

Splits and routes the audio and video signals, as well as the power supply, to the respective outputs. Intended for mounting on a DIN rail and surface mounting. Has 4 active outputs (amplifiers) and a single pass-through output (passive, no amplifier). Allows connection of up to 5 indoor units or splitting the bus into 4 separate ones. It is also possible to connect another splitter or terminate the main bus. With a suitable number of power units, the splitter outputs allow direct connection video indoor units located within 70 m (measured from the last power unit in the system). The distance may be extended with suitable system configuration. One active output is additionally amplified, which equalises video signal losses in long buses. Works with a 5e or 6 twisted-pair cable hub, with RJ45-type output sockets.

Has an additional screw input for connecting the audio line, e.g. for passive, 2-wire indoor units. It is installed on individual floors, in an installation collective point or in a location where a bus is split. It may transfer the electrical supply from the bus or an external 15 V power supply to the outputs (integrated jumper that cuts off power from the bus line). The splitter is resistant to wiring damage (such as short circuits between the video line and the power or audio line). Four outputs (for indoor units) are secured on the power supply line with a polymer fuse (automatically restoring voltage supply, after a short-circuit is rectified and the supply voltage is reset). It covers the width of four DIN modules. Compatible with selected digital devices of the following product ranges: CDNP, INSPIRO and COMO / Familio.

C

CDNVRau4 – 60 • 4-way video splitter for the Ø60 mm cable box

Splits and routes the video signal to the respective outputs. The module has no housing as it is intended to be mounted in a Ø60 mm diameter cable box. Has 4 active outputs (amplifiers) and allows the connection of 4 indoor units or splitting of the bus into 4 separate buses. It is also possible to connect another splitter or terminate the main bus. With a suitable number of power units, the splitter outputs allow direct connection of video indoor units located with-

in 70 m (measured from the last power unit in the system). When the system is configured properly, even greater distances are possible. It is installed on individual floors, in an installation collective point or in a location where a bus is split. Works with a 5e or 6 twisted-pair cable hub, 5e or 6, with screw-type inputs and outputs. Compatible with selected digital devices from the following product ranges: CDNP, INSPIRO and COMO / Familio.

A

CDNVRa2 • straight-through video splitter with 2 outputs

Splits and routes the audio and video signals, as well as the power supply, to the respective outputs. Module in an A-type casing, intended for surface mounting. Has 2 active outputs (amplifiers) and a single pass-through output (passive, no amplifier). It allows the connection of two indoor units or splitting of the main bus into two separate buses and connecting another splitter. With a suitable number of power units, the splitter outputs allow the direct connection of video indoor units located within 70 m (measured from the last power unit in the system). When the system is configured properly, even greater

distances are possible. It is installed on individual floors, in an installation collective point or in a location where a bus is split. It may transfer the electrical supply from the bus or an external 15 V power supply to the outputs (integrated jumper that cuts off power from the bus line). Works with a 5e or 6 twisted-pair cable hub, with RJ45-type output sockets. Compatible with selected digital devices from the following product ranges: CDNP, INSPIRO and COMO / Familio.

A

CDNVRa4 • straight-through video splitter with 4 outputs

Splits and routes the audio and video signals, as well as the power supply, to the respective outputs. Module mounted in an A-type casing, intended for surface mounting. Has 4 active outputs (amplifiers) and a single pass-through output (passive, no amplifier). It allows the connection of 4 indoor units or splitting of the bus into 4 separate ones, as well as connecting another splitter. With a suitable number of power units, the splitter outputs allow the direct connection of video indoor units located within 70 m (measured from the last power unit in the system). When the system

is configured properly, even greater distances are possible. It can be installed on individual floors, in an installation collective point or in a location where a bus is split. It may transfer the electrical supply from the bus or an external 15 V power supply to the outputs (integrated jumper that cuts off power from the bus line). Works with a 5e or 6 twisted-pair cable hub, with RJ45-type output sockets. Compatible with selected digital devices from the following product ranges: CDNP, INSPIRO and COMO / Familio.



CDNVRak2 • straight-through terminal splitter with 2 outputs

Splits and routes the audio and video signals, as well as the power supply, to the respective outputs. Module mounted in an A-type casing, intended for surface mounting. Has 2 active outputs (amplifiers) and is a bus terminal. Allows the connection of 2 indoor units or splitting of the bus into two separate ones. With a suitable number of power units, it allows the connection of video indoor units located within 70 m (measured from the last power unit in the system). When the system is configured properly, even greater distances are possible.

It is installed on individual floors, in an installation collective point or in a location where a bus is split. It may transfer the electrical supply from the bus or an external 15 V power supply to the outputs (integrated jumper that cuts off power from the bus line). Works with a 5e or 6 twisted-pair cable hub, with RJ45-type output sockets. Compatible with selected digital devices from the following product ranges: CDNP, INSPIRO and COMO / Familio.



CDNVRak4 • straight-through terminal splitter with 4 outputs

Splits and routes the audio and video signals, as well as the power supply, to the respective outputs. Module mounted in an A-type casing, intended for surface mounting. Has 4 active outputs (amplifiers) and is a bus terminal. Allows the connection of 4 indoor units or splitting of the bus into two separate ones. With a suitable number of power units, the splitter outputs allow the direct connection of video indoor units located within 70 m (measured from the last power unit in the system). When the system is configured properly, even greater distances are possible.

It is installed on individual floors, in an installation collective point or in a location where a bus is split. It may transfer the electrical supply from the bus or an external 15 V power supply to the outputs (integrated jumper that cuts off power from the bus line). Works with a 5e or 6 twisted-pair cable hub, with RJ45-type output sockets. Compatible with selected digital devices from the following product ranges: CDNP, INSPIRO and COMO / Familio.

BUILT-IN MODULES



MOD-SPK-P • built-in main unit module for the P and PV systems

Audio conversation module, no buttons, intended for embedding. Used in fronts with external call buttons or in order to connect the mailbox to the door entry system, for example. The external call buttons should be connected via a dedicated MOD-10NBP module. The audio system may be upgraded to video after connecting the video camera optional MOD-CAM-COAX module and combiner module (CDNVS, CDNVSp or CDNVS-60) required.

The module may also be "hidden", for example in a cable box; slave-type panel required for elaborate systems (such as Inspiro+ with SW4S-DIN). Compatible with devices included in the following product ranges: CDNP, INSPIRO and COMO / Familio-P, PV.



MOD-SPK-PRO • built-in conversation module for PRO and PRO A systems

Audio conversation module, no buttons, intended for embedding. Used in fronts with external call buttons or in order to connect the mailbox to the door entry system, for example. The external call buttons should be connected via a dedicated MOD-10NBP module.

The audio system may be upgraded to video after connecting the video camera optional video MOD-CAM-COAX module and combiner module (CDNVS, CDNVSp or CDNVS-60) required. Compatible with selected digital devices from the following product ranges: COMO / Familio-PRO.



MOD-10NBP • external call buttons connection module

A built-in direct call module. It operates as a module equipped with call buttons (e.g. CDN-10NP). It supports up to 10 external NO-type call buttons connected via one common conductor (GND). It is possible to connect a greater number of modules in order to increase the number of buttons supported (max. 255).

Programming via a computer and panel equipped with a buttons panel set-up menu. Compatible with MOD-SPK-P and MOD-SPK-PRO built-in modules as well as devices from the CDN, INSPIRO, COMO / Familio-P, PV, PRO, PRO-A ranges.



MOD-CAM-COAX • dome camera module with PAL coaxial output

Built-in dome camera module. Used in front panels with external call buttons or in order to connect the mailbox with the video door entry system. Features: heated, high-resolution colour camera (min. 600 lines) with a wide-angle 2.8 mm lens. Adjustable camera surveillance direction, together with infra-red LED backlight +/- 20° in every direction. Perfect picture

quality in daylight and at night. Video signal output via PAL (75 Ohm) coaxial signal. Compatible with devices included in the following product ranges: CDNP, INSPIRO, COMO / Familio-P, PV, PRO, PRO-A.

HOME AUTOMATION CONTROL / EXTRA SIGNALS / RELAYS



CDN-U • additional signalling, automatic door opening function

The module permits automated or remote (using an external button) door opening without having to answer the call. It allows you to connecting an additional acoustic or light ringing device in the apartment.

May work autonomously or collaterally with an indoor unit assigned to the same address. Compatible with selected digital devices from the following product ranges: CDN, INSPIRO and COMO / Familio-P, PV. Relay parameters: one pair of NO/NC contacts; 5 A / 24 VDC



CDN-I/O • home automation and external device control

The module facilitates control of external devices and a home automation system, i.e. gates, barriers, lights or blind rollers. It extends system functionality with two NO outputs and two relay outputs. It makes it possible to connect two external NO buttons to an indoor unit in order to directly activate an e-lock or a doorbell in a given apartment. In selected device models, installation directly in a frame or back box is possible.

A module can be moved away from a panel by means of an ARK-RS adapter. Taking into account data transmission, the maximum cable length depends on external interference. Compatible with selected digital devices from the following product ranges: CDNP, INSPIRO and COMO / Familio-P, PV. Relay parameters: two pairs of NO/NC contacts; 2 A / 24 VDC



PRO I/O • control of home automation systems and external devices, additional signalling, automatic door opening function

The module facilitates control of external devices and home automation systems, i.e. gates, barriers, lights or blind rollers, as well as connection of additional ringing devices. It allows you to connect an external button to activate the electric striker directly, open the door automatically when a given indoor unit is

called, and can be used as a doorbell (ringing of a given unit). It can be installed in any installation location. Selected models can be installed directly in a frame or back box. Compatible with the COMO / Familio-PRO and PRO-A product ranges. Relay parameters: one pair of NO/NC pins, 5 A / 24 VDC



PRO I/O-60 (G3), PRO I/O-60 • home automation and external device control, additional signals, auto opening for Ø60 mm cable box

The module enables control of external devices and home automation systems, such as gates, entry bars, lights and roll-ups, as well as connection of additional ringing devices. It facilitates connection of an external button for automatic activation of an e-lock and automatic door opening when a given indoor unit is called (doorbell function). It can be installed in any installation location.

The module comes without a housing to be mounted in a Ø60 mm diameter cable box. Compatible with digital COMO / Familio-PRO and PRO-A devices. Relay parameters: one pair of NO/NC pins; 5 A / 24 VDC.

NEW: PRO I/O-60 (G3) has the extra third-generation PRO 3 features and supports a greater number of addressed for COMO-PRO/PRO-A panels.



I/O MINI • control of home automation systems and external devices

The module enables external device control and control of home automation of devices such as the garage gates, entry bars, lighting and roll-ups. It is mounted directly in a panel enclosure (applies to flush- and surface-mounted versions).

It comes with functions analogous to those of the CDN-I/O module port 2 output. Compatible with digital panels from the following product range: COMO / Familio-P, PV. Relay parameters: one pair of NO/NC contacts; 5 A / 24 VDC



SW4S-DIN – 4-zone switch for INSPIRO+ panels covers up to 1020 apartments

The module works with Master-type INSPIRO+ panels and expands their capabilities up to supporting 1020 indoor unit addresses. The module allows you to designate 4 independent zones each forming an independent bus with rules of operation and wiring as in the case of regular connection Inspiro panels or CDNP central control units. Each zone consists of 255 indoor unit addresses, an independent opening code table and independent calling parameters. The addresses of indoor units in each zone can be assigned to an independent 1- to 6-digit call number (selected using the keypad). The module is suitable both for audio and video systems (featuring RJ45 connectors). It is possible to connect an unlimited number of Master panels with SW4S-DIN modules within a single door entry sys-

tem. With a greater number of master panels, it is possible to hold up to four conversation sat once (one per zone). The 4 zone module can be used to create both extensive and widespread installations, as it enables connection of installations into a star configuration, which significantly reduces the line lengths (the modules are installed in the central point of the "star"). Using those modules requires at least one Slave-type panel/central in each zone the indoor units cannot be connected directly to the module outputs (a built-in MOD-SPK-P module may be used for that as well) The module features casing suitable for mounting on a DIN rail, taking up the same amount of width as 6 modules. Compatible with selected digital devices of the following product ranges: CDNP, INSPIRO and COMO P/ PV / Familio

POWER SUPPLY

PS65-15 DIN • DC power supply, to DIN bus

- intended for the following systems:
 - video audio CDNP, INSPIRO and COMO / Familio-P, PV
 - with indoor units that require an additional power supply(active), such as INS-UP720MR, UP800
- compatible with other systems.
- niversal
- nput voltage: 100-240 VAC, 50/60 Hz
- output voltage: 15 VDC
- max. output voltage: 4 A
- output terminals disconnectable screw connectors: +DC, +DC, -DC, -DC
- input terminals split screw connectors: L, N, PE
- type: impulse (efficiency up to 91%)
- protection: thermal, overload, short-circuit
- dimensions: 4 DIN modules
- LED power indicator
- free airflow cooling

PS45-15-PRO-13 • power supply with video splitter to DIN bus

- in-built splitter for three video indoor units.
- intended forFamilio PRO video systems.
- compatible with other ACO video systems.
- current: 3 A
- input voltage: 100-240 VAC, 1 A 50/60 Hz
- output voltage: 15 VDC
- outputs: ARK screw connectors (disconnectable):
- GND, Line3 x video (differential); 3 x RJ45 to connect video indoor units
- inputs: ARK screw terminals - 230 V (PE, L, N), Video IN (differential), 1 x RJ45 to connect PRO panel (no e-lock power supply)
- dimensions: 6 DIN modules

TR 11,5V 1,2A • mains transformer with 230 V socket plug

- intended for the following systems:
 - audio: CDNP, CDNA, CDNC, CDNCB, COMO / Familio-P, INSPIRO-audio
 - standalone units: INS-ACC, INS-ZS
- compatible with other systems.
- current: 1.2 A
- input voltage: 230 V / 50 Hz
- output voltage: 11.5 VAC
- outputs: 11.5 VAC - cable length approx. 20 cm
- inputs: 230 V flat 230 V plug
- dimensions: 80 x 50 x 50

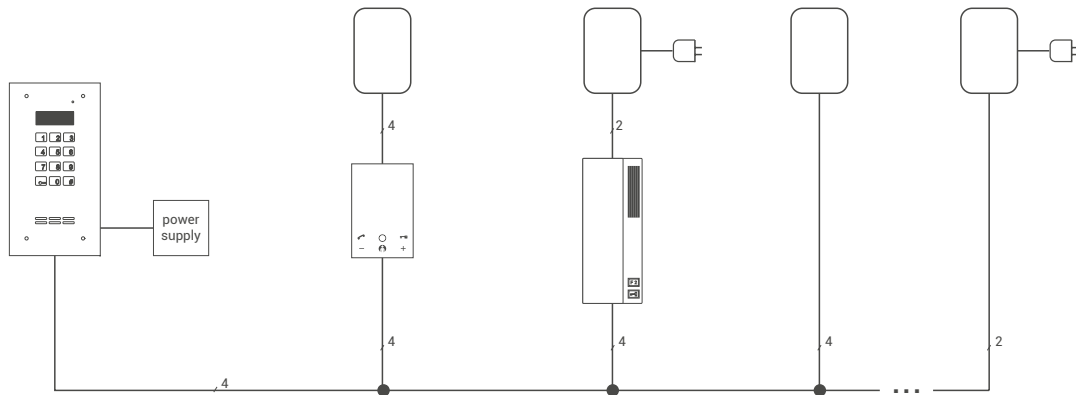
TR 11,5V 1,2A DIN • mains transformer to DIN bus

- intended for the following systems:
 - audio: CDNP, CDNA, CDNC, CDNCB, COMO / Familio-P, INSPIRO-audio
 - standalone units: INS-ACC, INS-ZS
- compatible with other systems.
- current: 1.2 A
- input voltage: 230 V / 50 Hz
- output voltage: 11.5 VAC
- outputs: 11.5 VAC ARK screw terminals
- inputs: 230 V ARK screw terminals
- dimensions: 3 DIN modules

DIAGRAMS

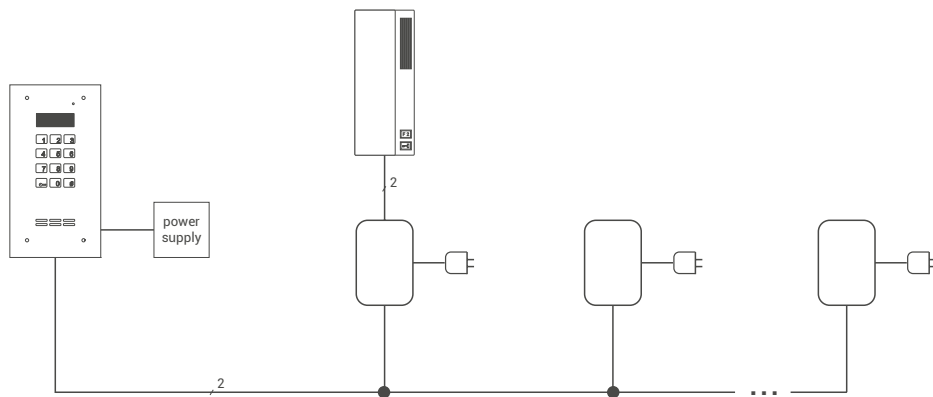
IP gate connection (acoGO! P-IP) in the P system (active units)

P



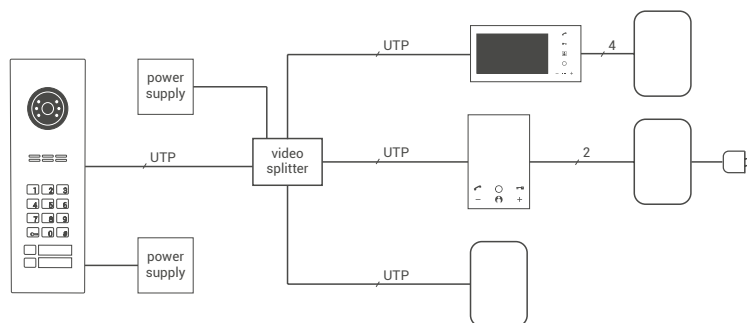
IP gate connection (acoGO! P-IP) in the P system (passive units)

P



IP gate connection (acoGO! P-IP) in the PV system

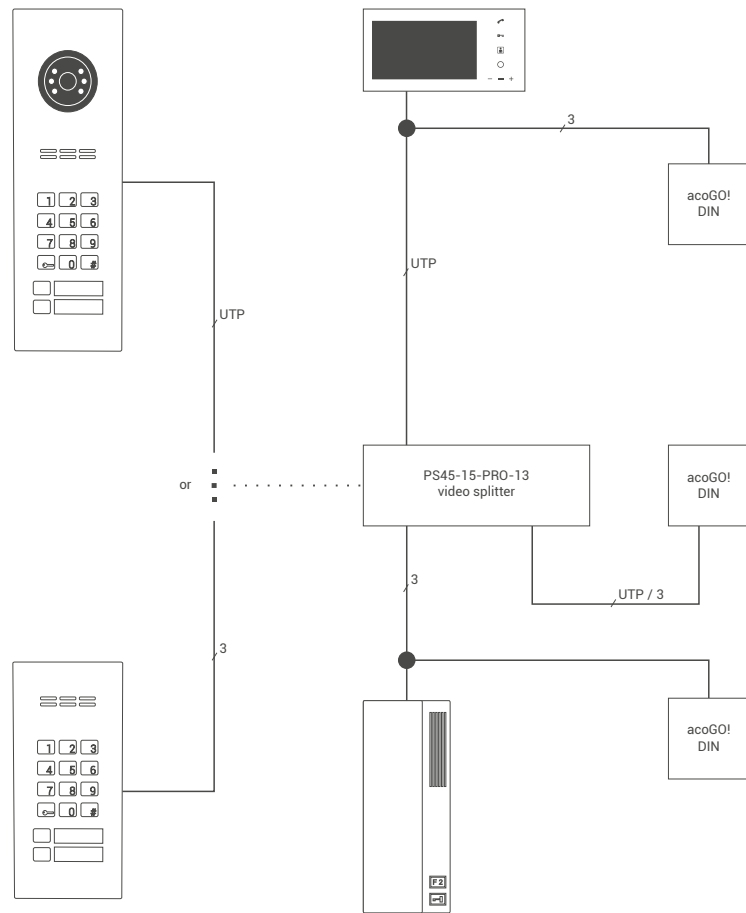
PV



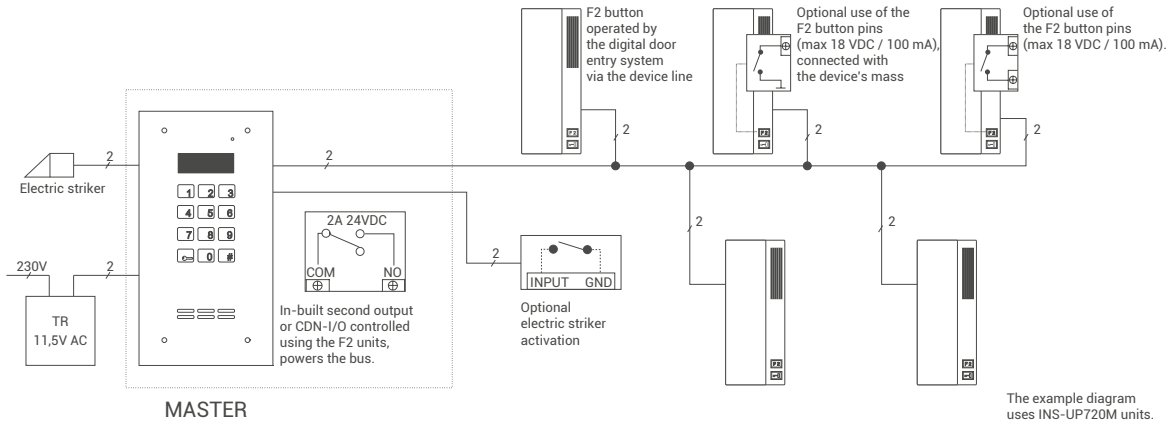
IP gate connection (acoGO! PRO-A-IP) in the PRO, PRO-A system

PRO

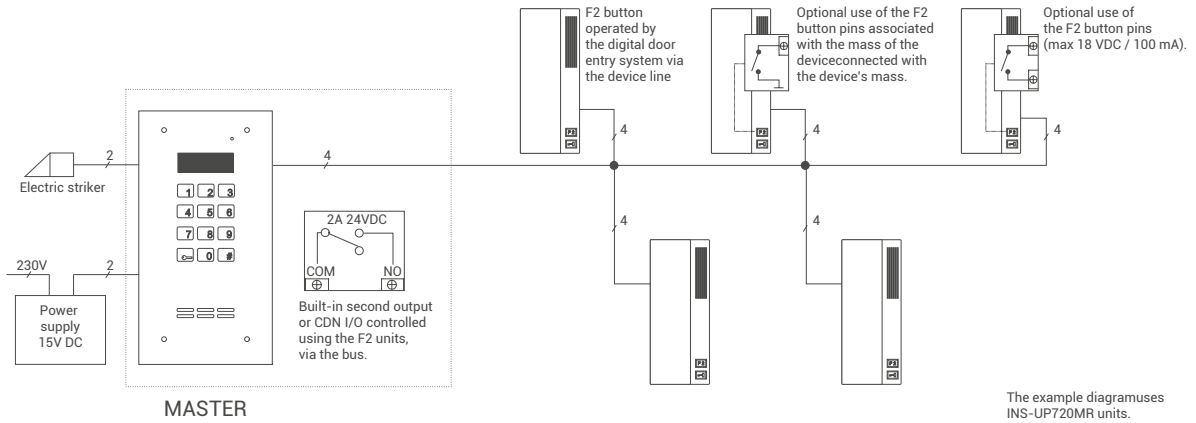
PRO-A



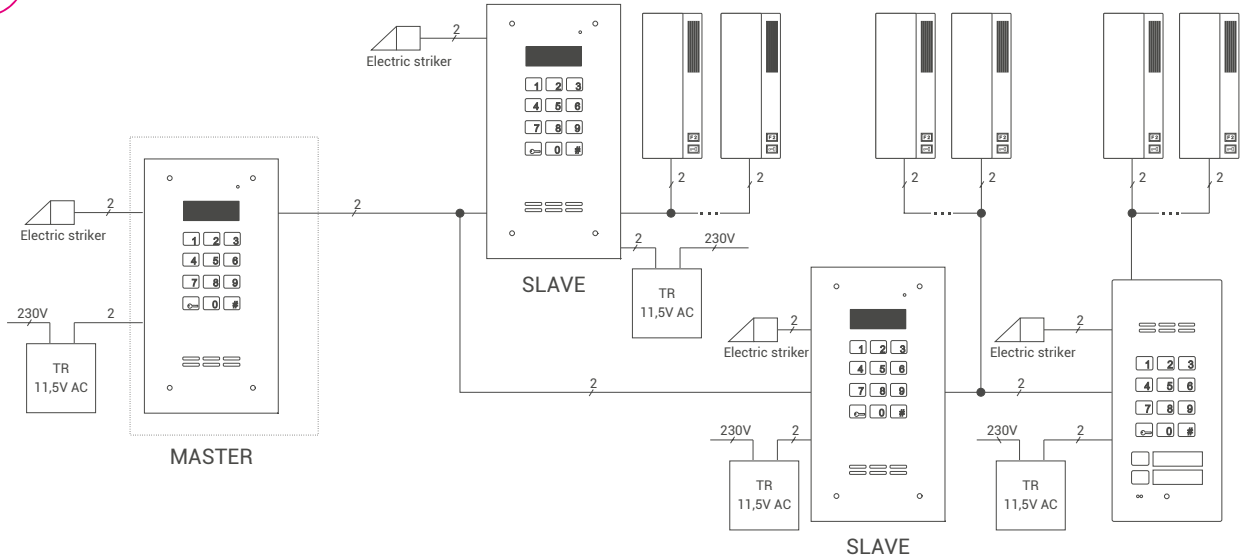
Audio installation - passive digital units (INSPIRO/COMO/FAMILIO-P)



IMounting - active digital audio units (INSPIRO, COMO / FAMILIO-P)

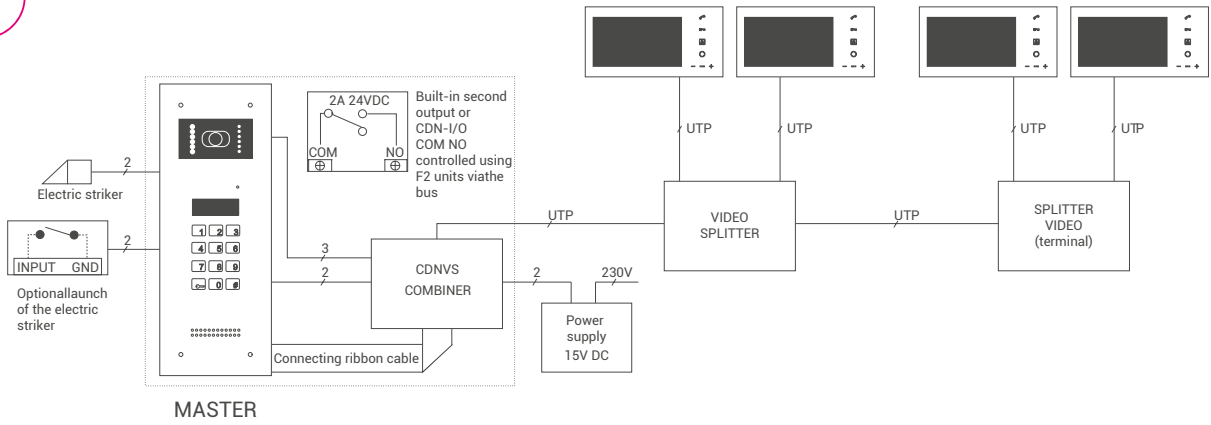


Audio installation (INSPIRO, COMO / FAMILIO-P) multiple panels (Main input: Master)



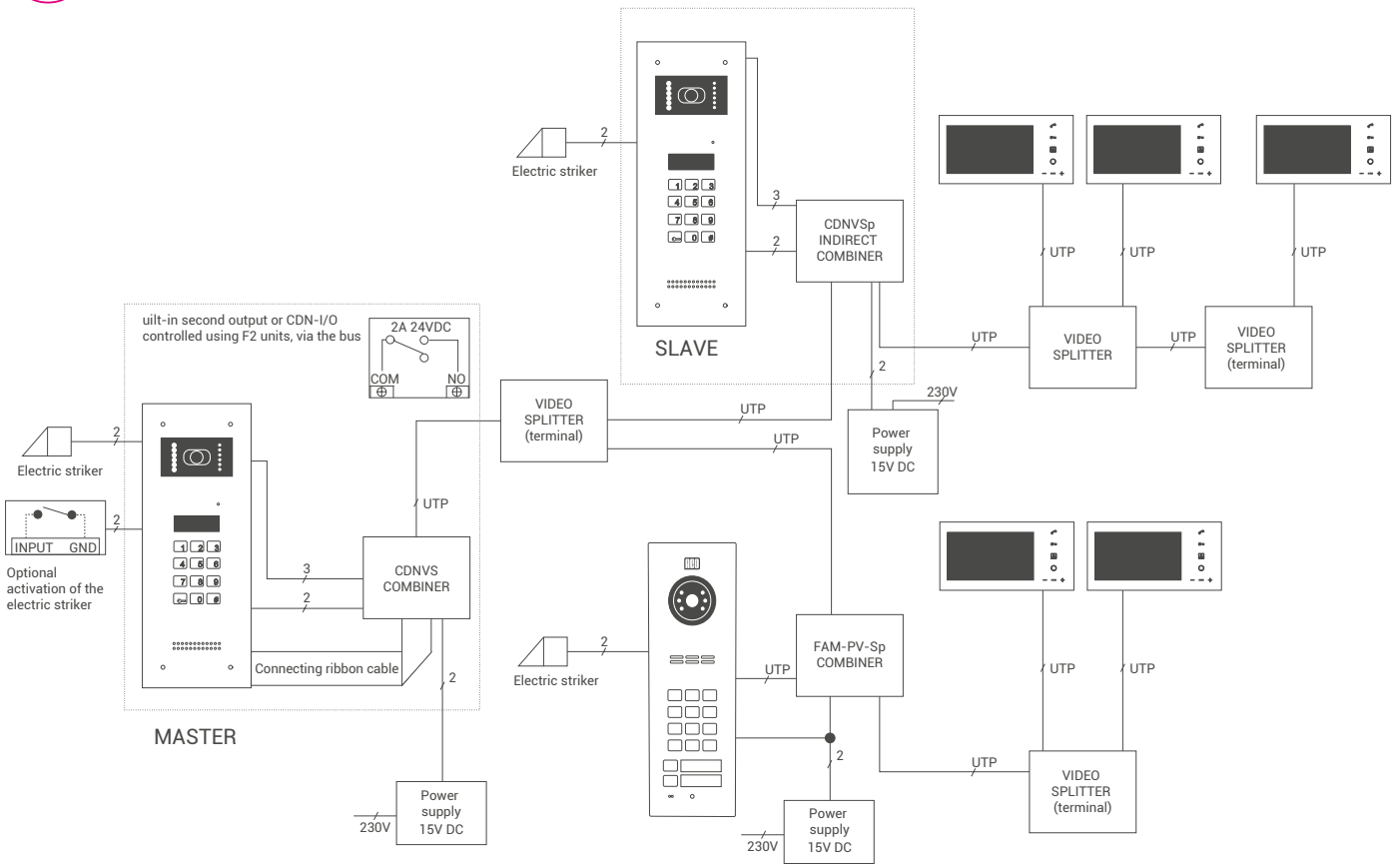
Video installation (INSPIRO, COMO / FAMILIO-PV)

PV



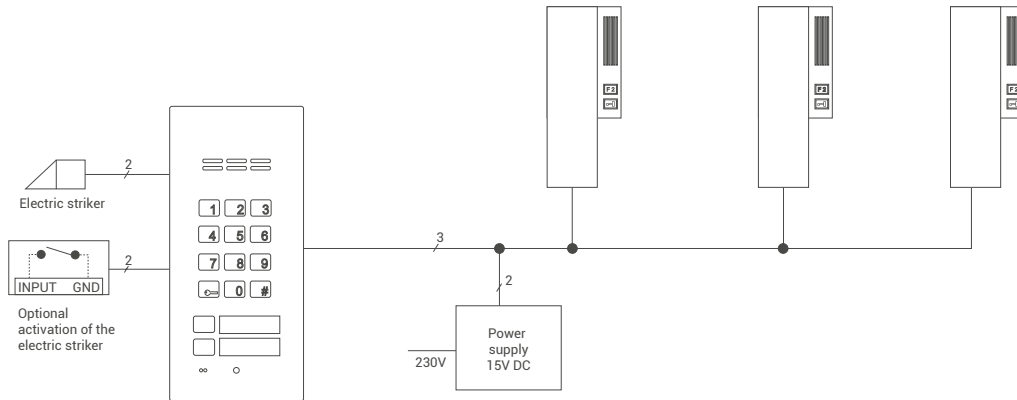
Video installation (INSPIRO, COMO / FAMILIO-PV) – multiple panels (main output: master)

PV



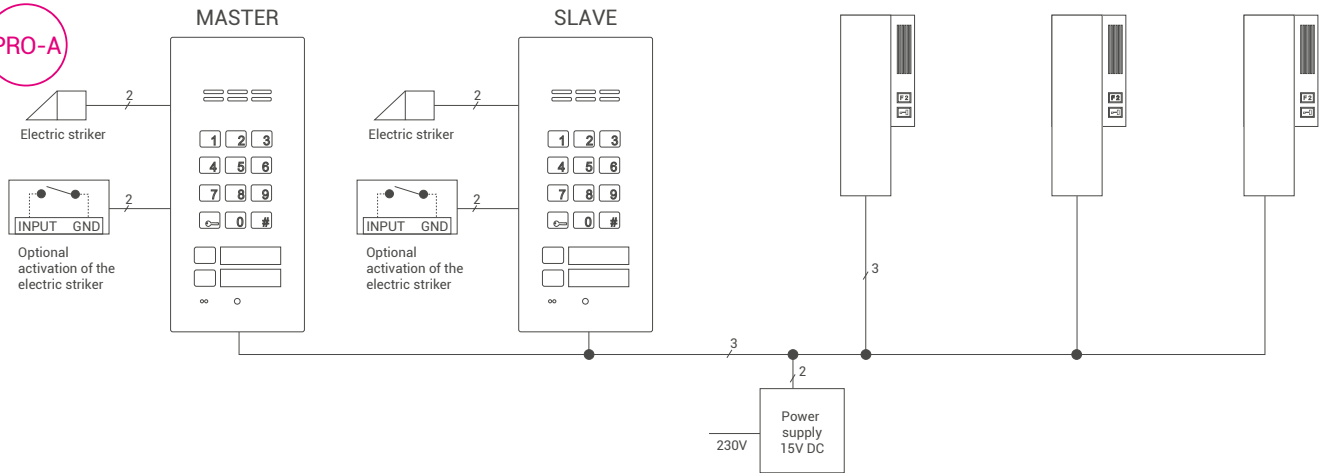
Audio installation (FAMILIO / COMO-PRO-A)

PRO-A



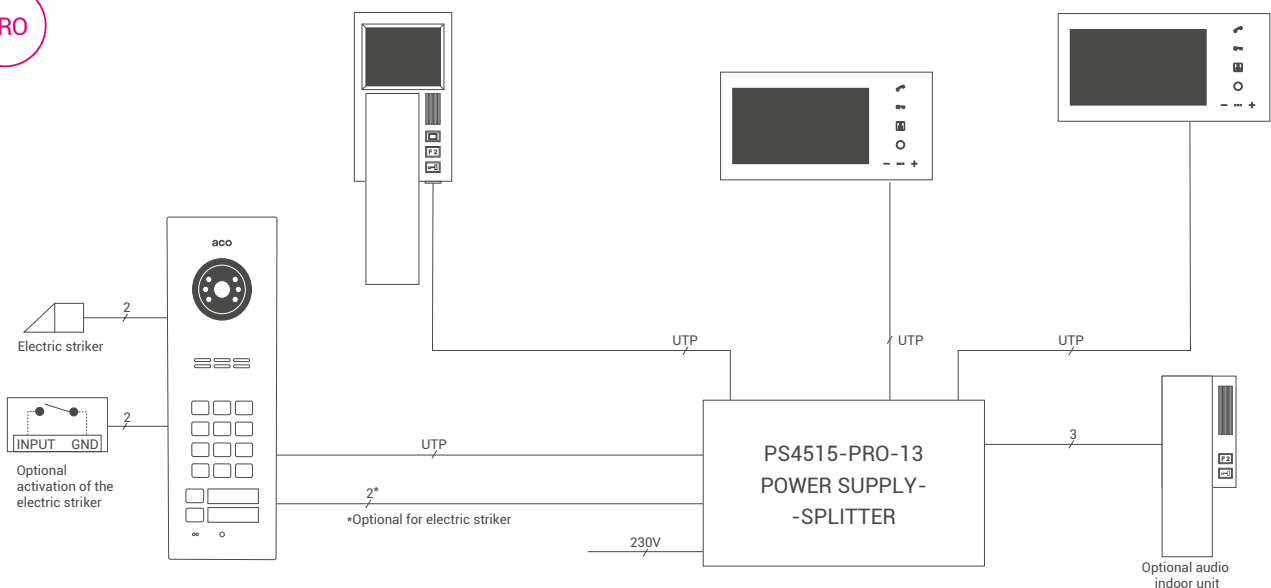
Audio installation (COMO-PRO-A) – two panels

PRO-A

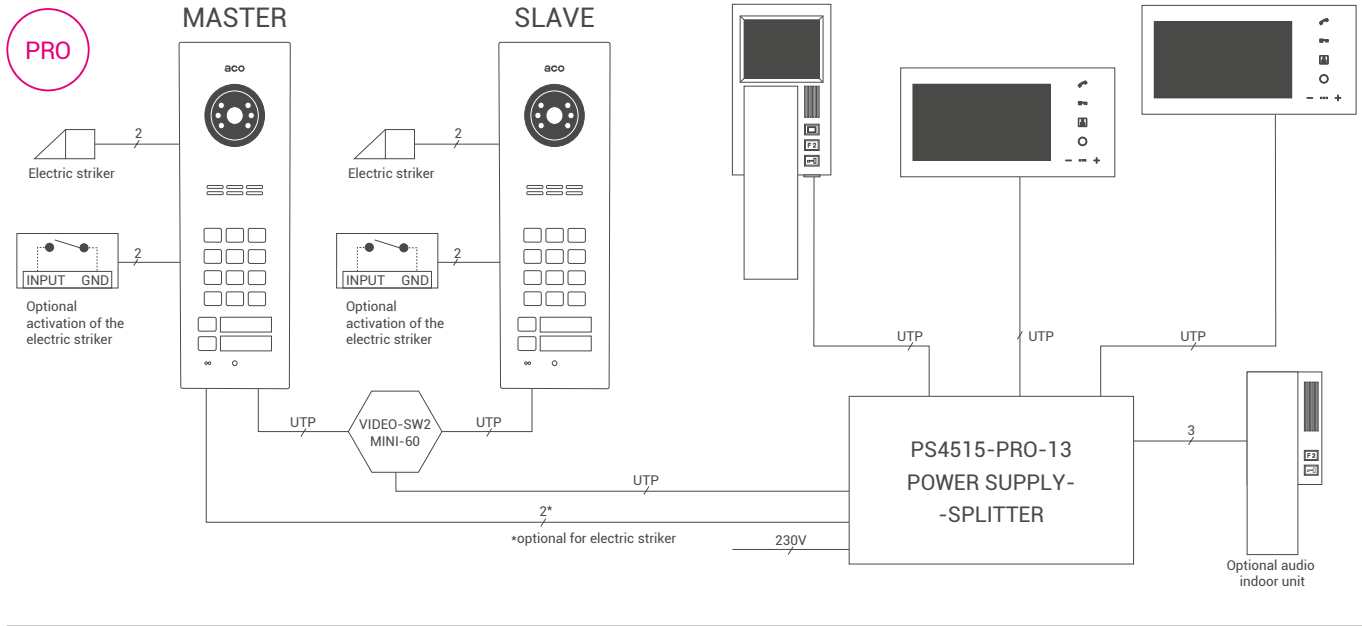


Audio installation (COMO / FAMILIO PRO)

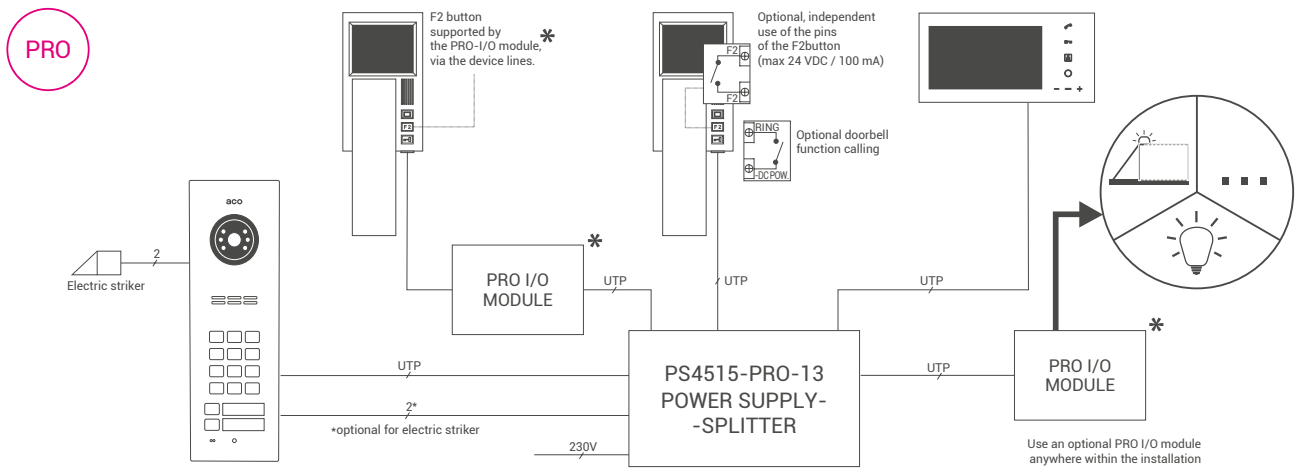
PRO



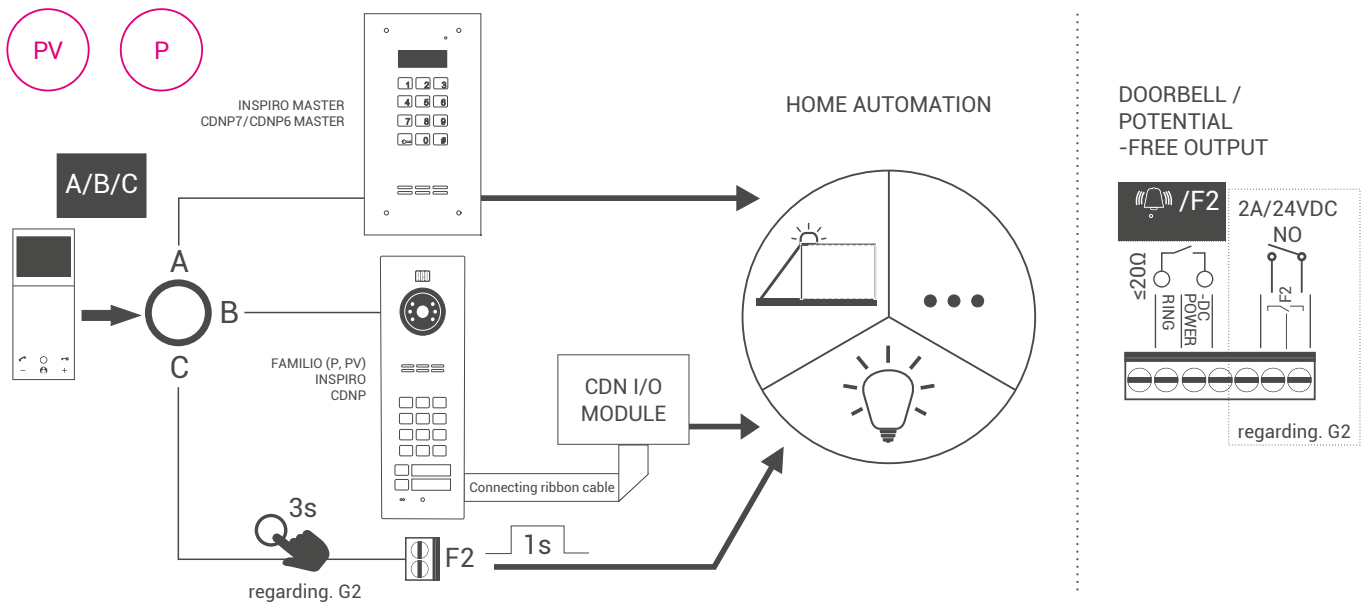
Video installation (COMO-PRO) – two panels



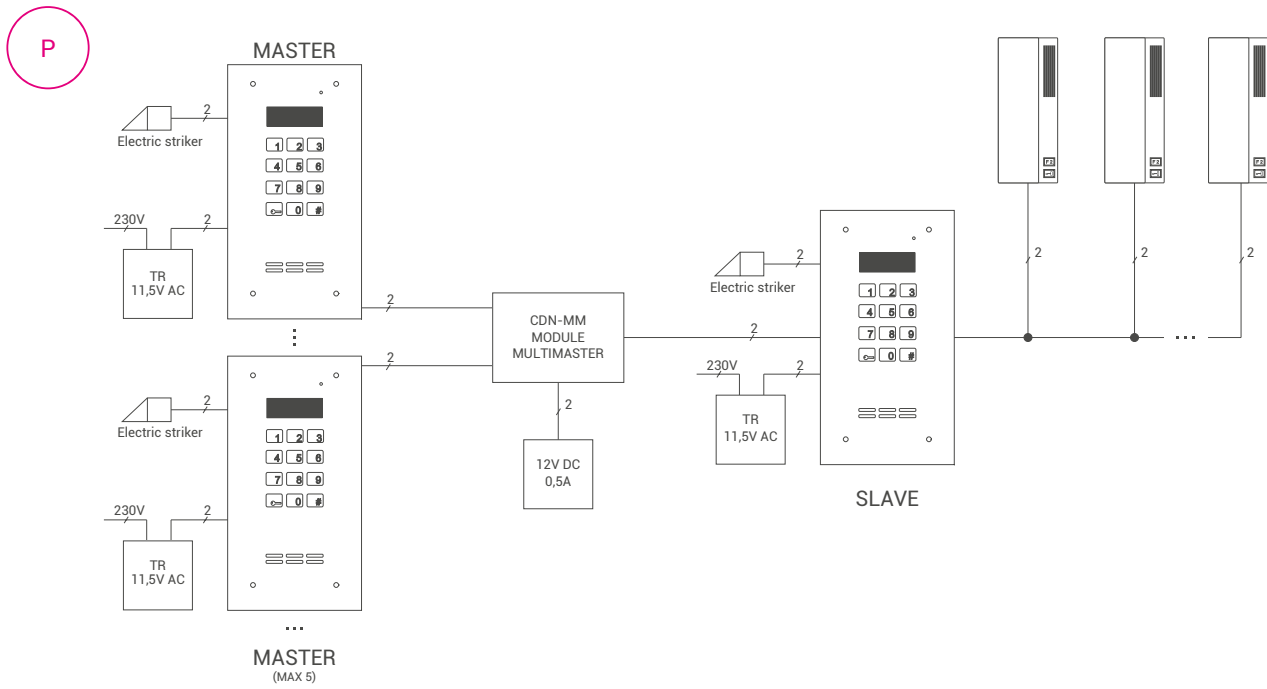
Home automation functionalities (COMO / FAMILIO-PRO, PRO-I/O)



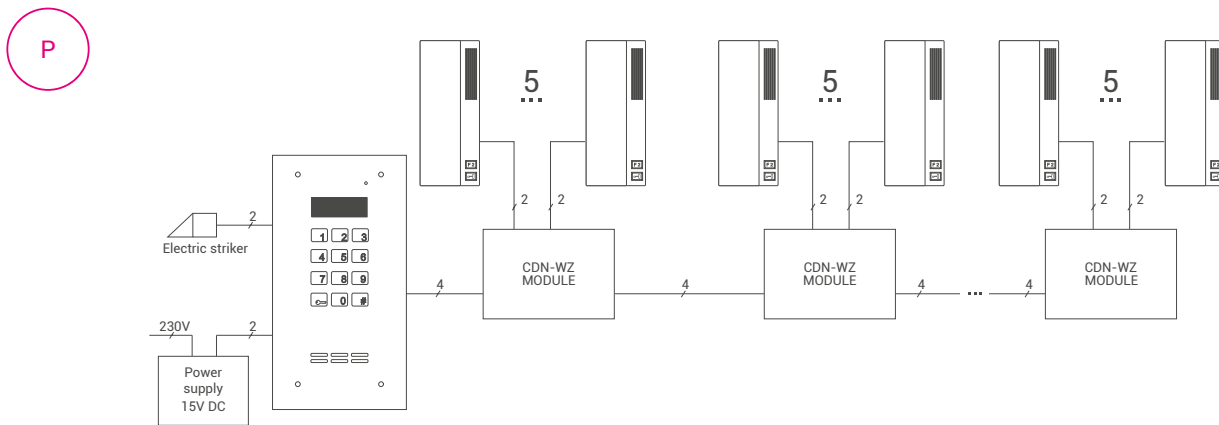
Home automation and doorbell functionality (UP800, UP800V, MP800)



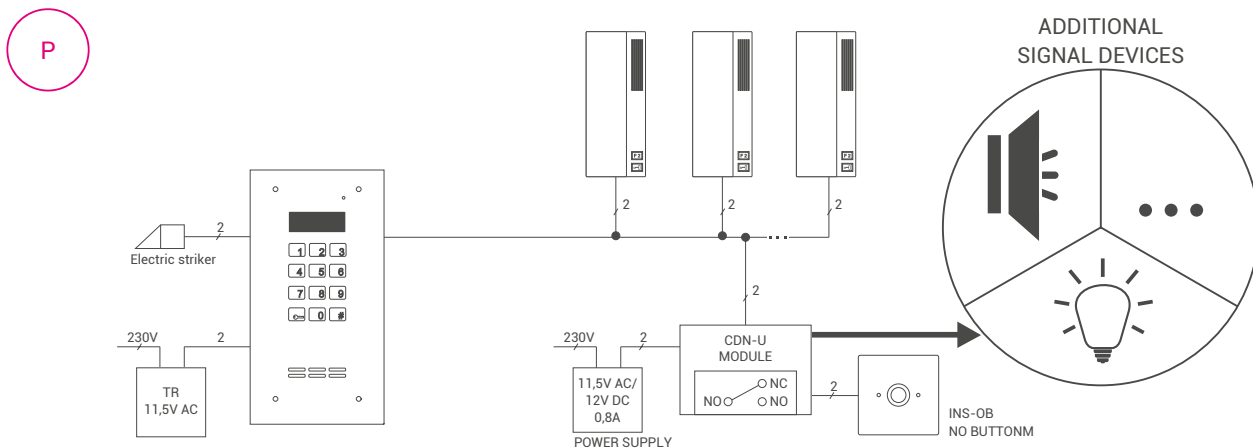
MULTIMASTER module (CDN-MM)



Line short circuit detection module (CDN-WZ)

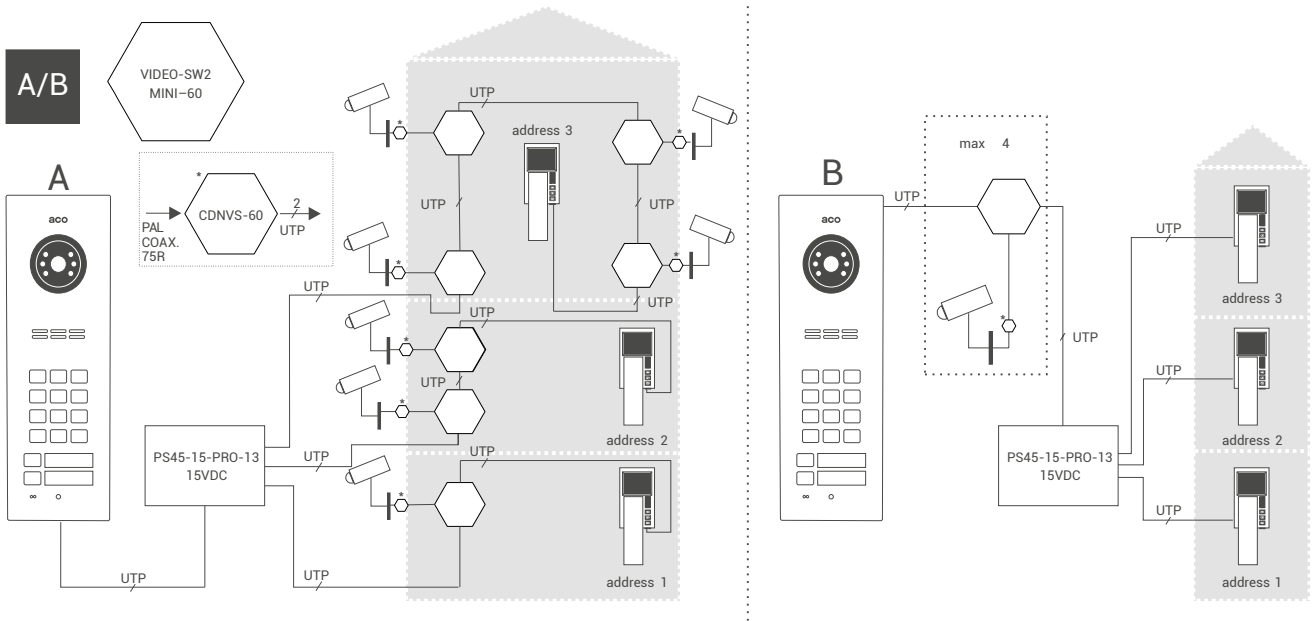


Additional optical and audio signal module (CDN-U)



Camera switch module (VIDEO-SW2-MINI-60)

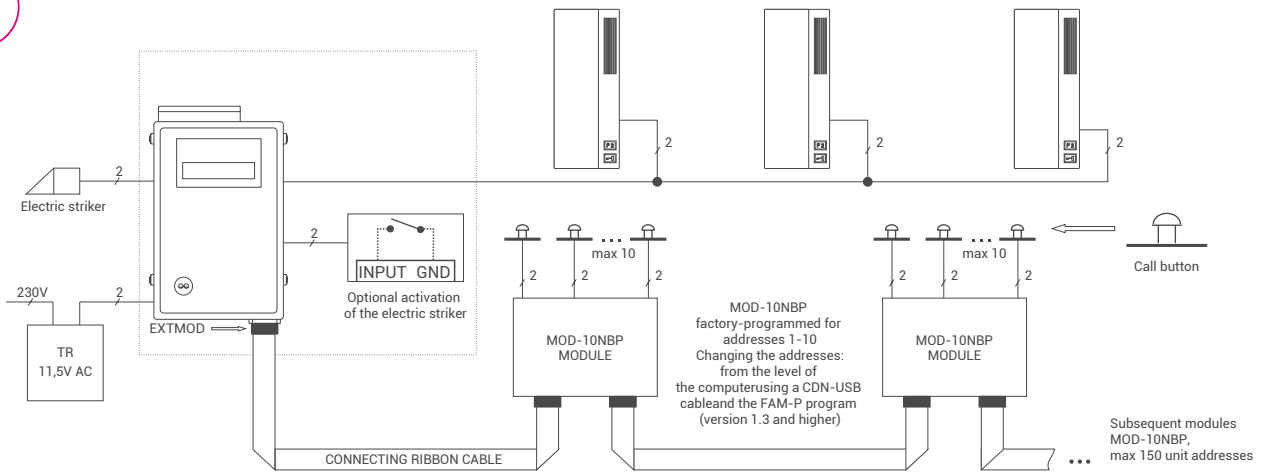
PRO



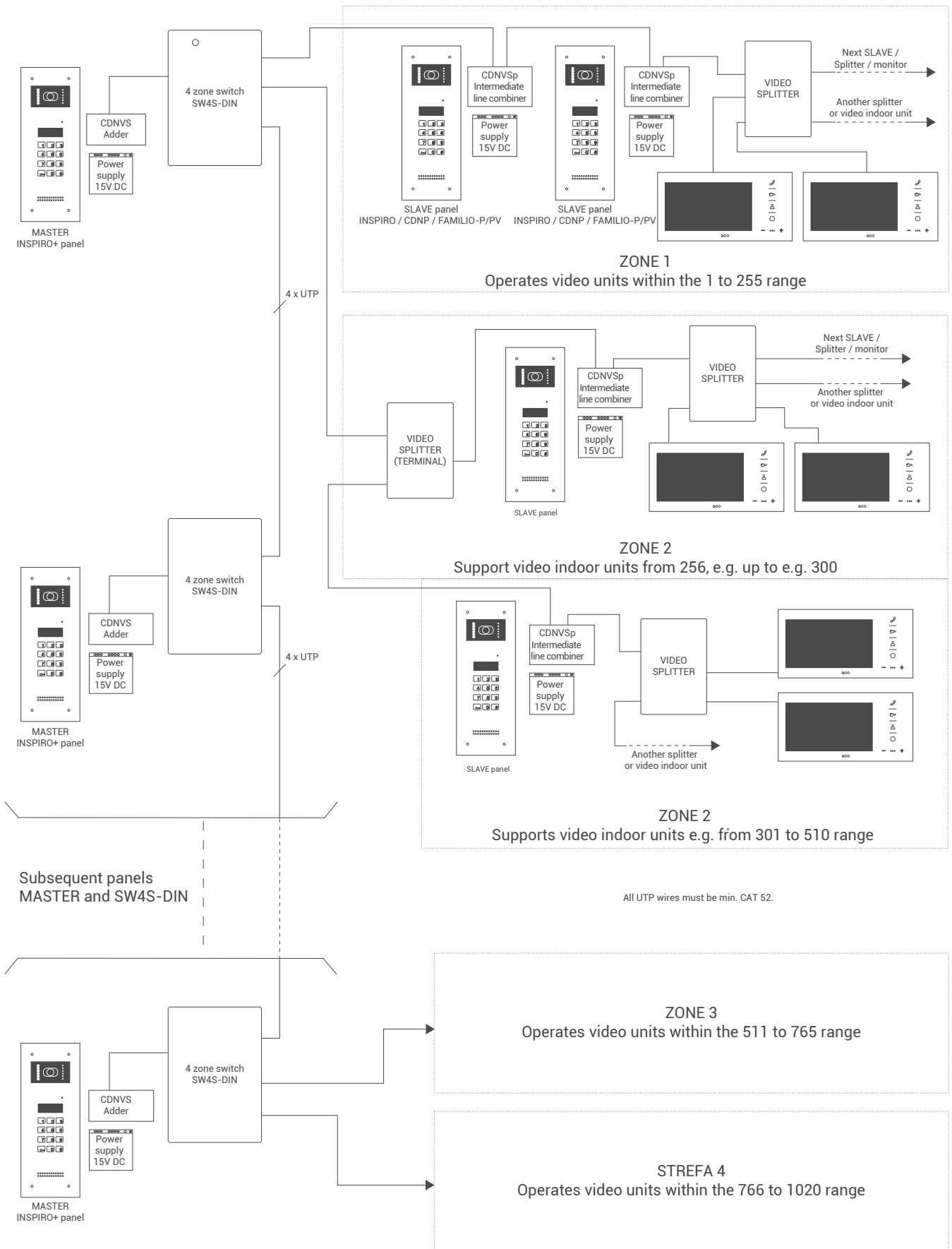
Built-in modules (MOD-SPK-P, MOD-10NBP)

The module has possibilities analogous to those of Familio-P panels.

P



Video installation (INSPIRO+) – multiple panels, supports 1020 apartments using the SW4S-DIN module



aco

**Polish producer of digital door
entry systems and video door
entry systems**

ACO sp. z o.o. sp. k.
ul. Diamentowa 7, 62-002 Suchy Las
phone: +48 61 843 93 71
biuro@aco.com.pl
www.aco.com.pl
www.domofonwtelefonie.com.pl

NIP (Tax ID No.): 9721258093
REGON: 362759523

The project is realized within Smart Growth Operational Programme



European Union
European Regional
Development Fund

