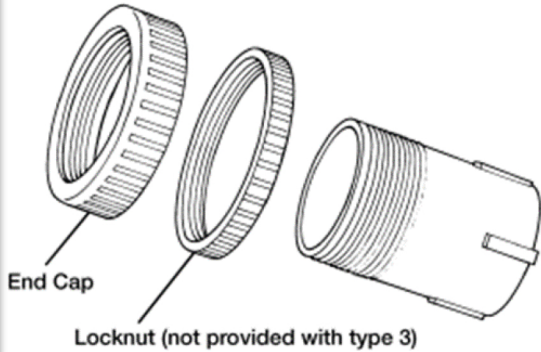
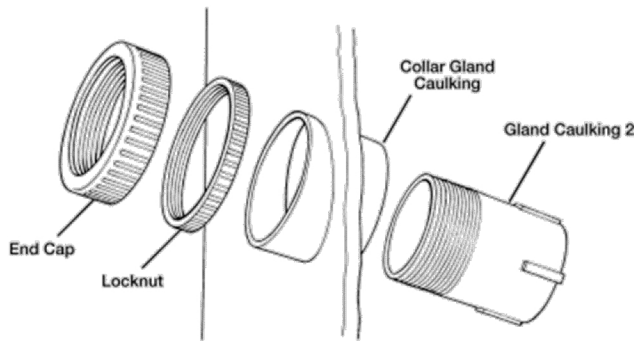


GLAND CAULKING



Type	Code	Use
2	94922	With Duct 54D, Disc Caulking 1 and Compound 16A. For angled lead-ins use Collar Gland Caulking. (see below)
3	95047	With Duct 56, Disc Caulking 4 and Compound 16A
4	-	With Duct 57, Disc Caulking 3 and Compound 16A



Type	Code	Angle°	For Lead-in Angle°
2	90911	85	5
3	90912	80	10
4	90913	75	15
5	93978	90	0



Type	Code	Use	Diameter
1	91445	In Gland Caulking 2	92mm
2	94988	In socket end of Duct 54D	96mm
3	94949	In socket end of Duct 57 or Gland Caulking 4	114mm
4	95048	In Caulking Gland	55mm