

fig.1 Strip Duct 54D

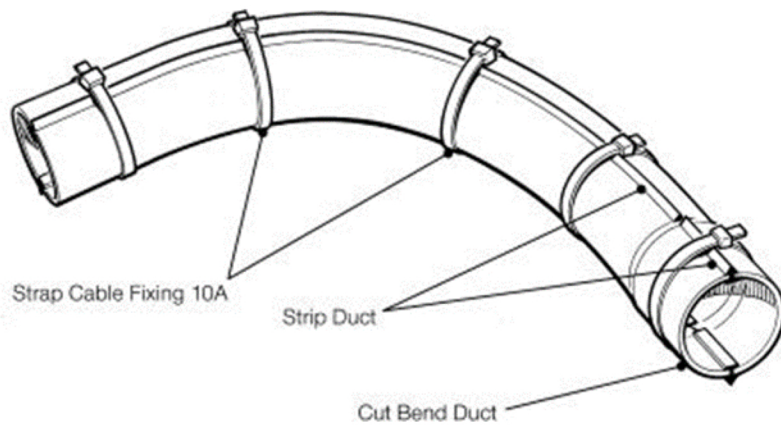


fig. 2

There is no standard solution for repairing cabled duct, but a suitable item can be produced by cutting a standard Bend Duct along its length. The split bend can then be placed around the cables and the edges held together with two lengths of Strip Duct (fig 1). The two halves can then be held together with Straps Cable Fixing 10A. For a more secure fixing the Bend and Strip Duct may be bonded with Compound 21 as well. Separate lengths of Strip Duct may be required for the socketed portion of the Bend. The Strip Duct is most easily inserted by holding the two bend halves together and feeding the Strip Duct in from one end (see fig 2).