

coin operated lock

# SKIRMETT WASHROOMS



Coin Operated Lock supplied in a **ABS** housing  
Available for Right Hand (**07440-01**) or Left Hand (**07440-02**) Doors  
£1 coin acceptance model  
Lock supplied under a master key with 700+ key combinations  
Lock supplied with 2 x Silver Nickel Plated keys, Coin Collect Tray, Sticker Indicating  
Coin Acceptance and Operating Instructions

## Removable Barrel

### REMOVABLE BARREL INSTRUCTIONS



- When door open, insert coin turn and remove the key.
- Insert extraction key, turn and remove the barrel.



- Remove extraction key from old barrel.
- Remove differ key from the new barrel and insert extraction key.



- Insert the new barrel. Make sure the last disc tumbler is correctly located in the housing



- Insert coin, turn extraction key and keep it in a safe location.
- Insert the differ key of the new barrel and turn

Kemmlit UK

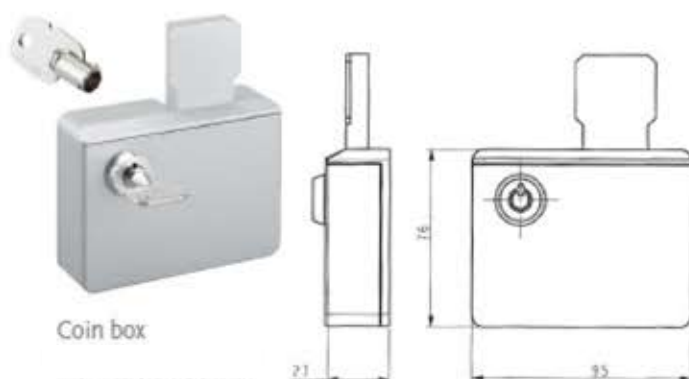
Bays Platt, Skirmett, Henley-on-Thames, Oxfordshire RG9 6TD United Kingdom  
Tel: +44(0)1491 638606 Fax: +44(0)1491 638072 www.kemmlituk.com info@kemmlituk.com

# ACCESSORIES

✘ Reference of the product: **COIN DEPOSIT BOX**



## COIN DEPOSIT BOX



Kemmlit UK

Bays Platt, Skirmett, Henley-on-Thames, Oxfordshire RG9 6TD United Kingdom  
Tel: +44(0)1491 638606 Fax: +44(0)1491 638072 [www.kemmlituk.com](http://www.kemmlituk.com) [info@kemmlituk.com](mailto:info@kemmlituk.com)