



SKIRMETT WASHROOMS

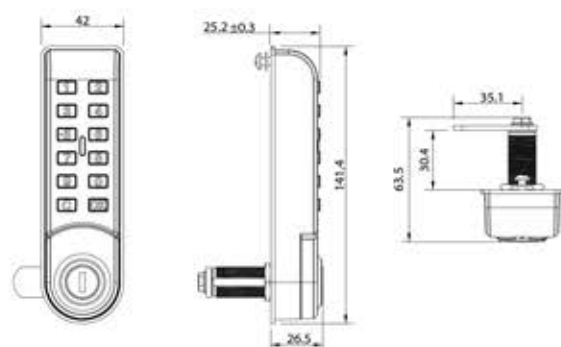


KEMMLIT
E10 Keypad lock

CUSTOM MADE WASHROOM SOLUTIONS

E10

A fully retrofit electronic lock, the E10 lock can be fitted directly onto existing installations.



This robust electronic lock is ideal for both new and existing lockers made of various materials such as metal, wood and tresspa.

A user can enter a 4 digit code, on the numeric keypad, to open and close the locker.

The site manager can always use the 8 digit master code (default) to open the lock if the user no longer knows the code. It is also possible to change the lock settings.

Lock material	Zinc alloy housing and handle with black coating
Keypad material	Rubber keys
Input voltage	DC3V
Battery	2 x AA alkaline batteries service life 60,000 locking cycles
Static power	≤100uA
Dynamic power	≤170mA
Use condition	Temperature: -15°C ~ 65°C ; Humidity: 5% ~ 95%
IP65 rating	Only available with the Pro version

The benefits

- Quick and easy to install
- Easy to set codes and operate
- 8 digit Master Code, 6 digit Sub-Master code, 6 digit Technician code, 4 digit User code
- Two user modes: Private user and Public user
- LED in 2 colours for lock status (Blue / Red)
- Low power Alarm function
- Mechanical override key for emergency opening

FUNCTIONS

PRIVATE USE / PUBLIC USE

LOWER POWER ALARM

MASTER CODE

TECHNICIAN CODE

LED WITH LOCK STATUS

Kemmlit UK