

COMPRESSION TUBE FITTINGS

As a result of tremendous efforts in research and development during the last years, with a lot of involvement in the gas analysis and gas chromatography industries with our different partners, this dead volume free compression fitting series is the best for the trace analysis industries.

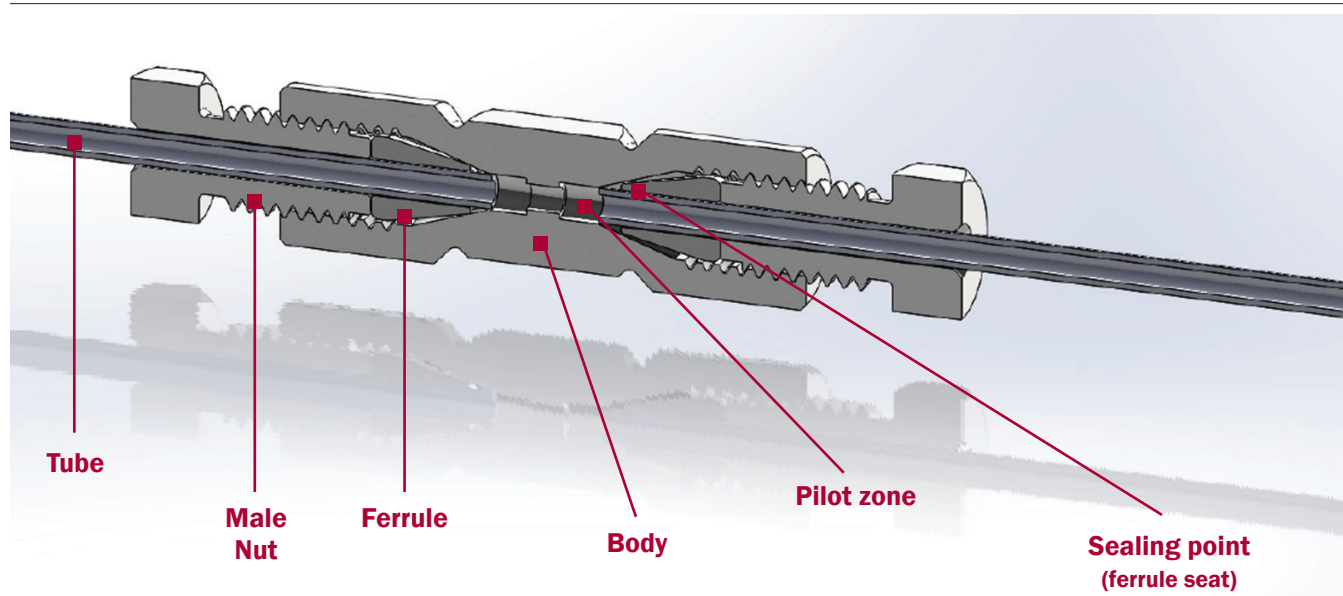
FEATURES

- 316L Stainless Steel
- Clean for UHP gas chromatography applications
- No dead volume design
- Optional surface treatment available

TYPICAL APPLICATIONS

- Gas chromatography
- Gas analyser instruments
- Sampling system
- Flow & pressure

HOW DOES IT WORK?



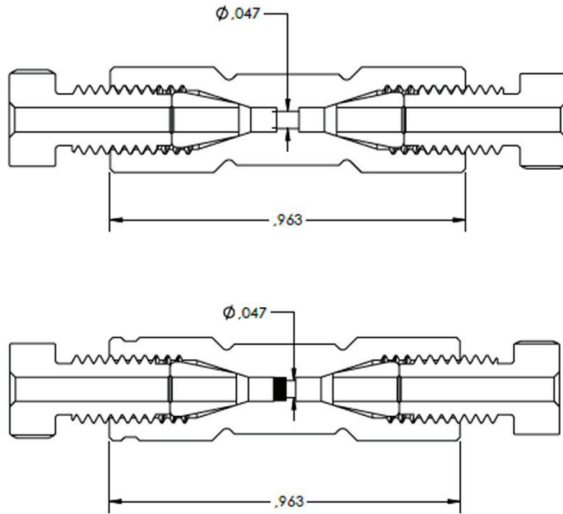
The tube is inserted in a male nut and the ferrule into the body of the fitting until the tube reaches the pilot zone. The tube will not fully penetrate the pilot zone as other types of fittings does.

This particularity allows avoiding the risk of tube swelling. Such phenomenon regularly happens with other compression fittings, resulting in difficulties extracting the tube once tightened.

Its sealing point (ferrule seat) located at the right end of the tube makes a sealing edge, giving an unsurpassed type of sealing. As the cut seals the tube by the inner side of the ferrule, the outer side closes the gap on the fitting body. The male nut then pushes on the ferrule in a linear direction, preventing it from turning on the tube and damaging its seat.

Combined with a rigorous machining & cleaning quality, these series of fittings are unbeatable when measuring trace impurities as required for gas analysis industries.

UNIONS & FILTERING UNIONS



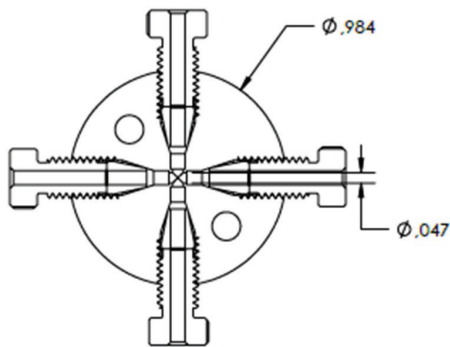
PART NUMBER	TUBE OD SIZE (INCH)	MATERIAL	OPTIONS
LDU-1/16-SS	1/16	Stainless Steel	n/a
LDU-1/16-SS-10u	1/16	Stainless Steel	10 micron press in filter
LDU-1/16-SS-SC	1/16	Stainless Steel	Sulfinert coating

REDUCING UNIONS



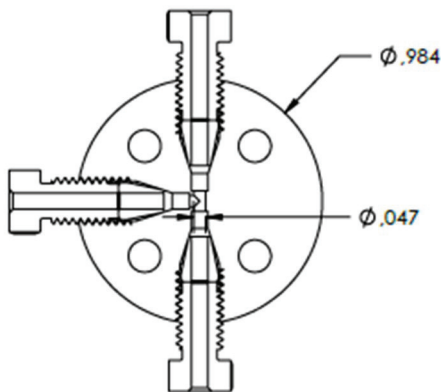
PART NUMBER	TUBE OD SIZE (INCH)	TUBE OD SIZE (INCH)	MATERIAL	OPTIONS
LDRU-1/8 to 1/16-SS	1/8	1/16	Stainless Steel	n/a
LDRU-1/8 to 1/16-SS-10U	1/8	1/16	Stainless Steel	10 micron press in filter
LDRU-1/8 to 1/16-SS-SC	1/8	1/16	Stainless Steel	Sulfinert coating

CROSSES



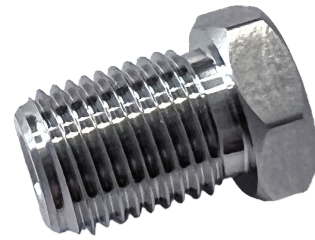
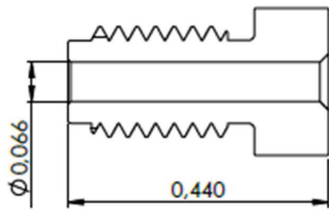
PART NUMBER	TUBE OD SIZE (INCH)	MATERIAL	OPTIONS
LDC-1/16-SS	1/16	Stainless Steel	n/a
LDC-1/16-SS-SC	1/16	Stainless Steel	Sulfinert coating

TEES



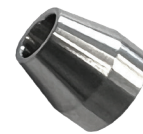
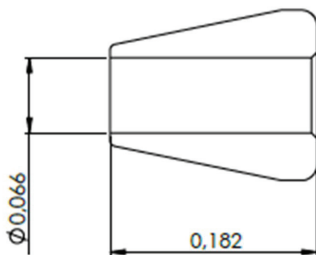
PART NUMBER	TUBE OD SIZE (INCH)	MATERIAL	OPTIONS
LDT-1/16-SS	1/16	Stainless Steel	n/a
LDT-1/16-SS-SC	1/16	Stainless Steel	Sulfinert coating

SHORT NUTS



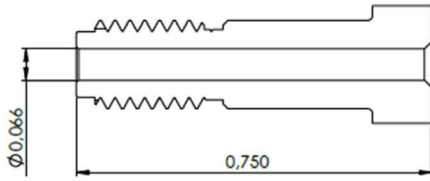
PART NUMBER	TUBE OD SIZE (INCH)	MATERIAL	OPTIONS
LDSN-1/16-SS	1/16	Stainless Steel	n/a
LDSN-1/16-SS-SC	1/16	Stainless Steel	Sulfinert coating
LDSN-1/8-SS	1/8	Stainless Steel	n/a
LDSN-1/8-SS-SC	1/8	Stainless Steel	Sulfinert coating

FERRULES



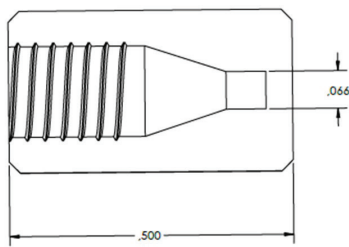
PART NUMBER	TUBE OD SIZE (INCH)	MATERIAL	OPTIONS
LDF-1/16-SS	1/16	Stainless Steel	n/a
LDF-1/16-SS-SC	1/16	Stainless Steel	Sulfinert coating
LDF-1/8-SS	1/8	Stainless Steel	n/a
LDF-1/8-SS-SC	1/8	Stainless Steel	Sulfinert coating

LONG NUTS



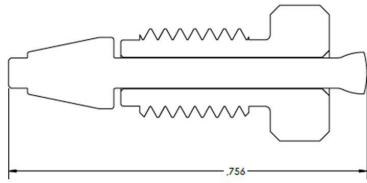
PART NUMBER	TUBE OD SIZE (INCH)	MATERIAL	OPTIONS
LDLN-1/16-SS	1/16	Stainless Steel	n/a
LDLN-1/16-SS-SC	1/16	Stainless Steel	Sulfinert coating

CAPS



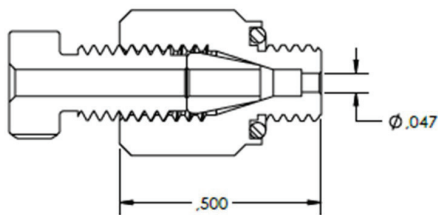
PART NUMBER	TUBE OD SIZE (INCH)	MATERIAL	OPTIONS
LDC-1/16-SS	1/16	Stainless Steel	n/a

PLUGS



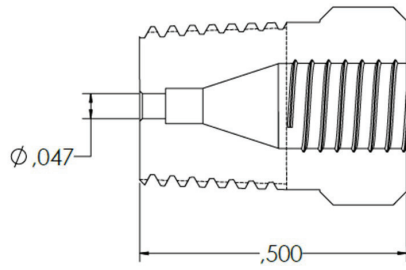
PART NUMBER	TUBE OD SIZE (INCH)	MATERIAL	OPTIONS
LDP-1/16-SS	1/16	Stainless Steel	n/a
LDP-1/16-SS-SC	1/16	Stainless Steel	Sulfinert coating

ADAPTER 10-32



PART NUMBER	TUBE OD SIZE (INCH)	MATERIAL	OPTIONS
LDA1032-1/16-SS	1/16	Stainless Steel	n/a
LDA1032-1/16-SS-SC	1/16	Stainless Steel	Sulfinert coating

ADAPTER NPT



PART NUMBER	NPT SIZE (INCH)	TUBE OD SIZE (INCH)	MATERIAL	OPTIONS
LDANPT-1/8-1/16-SS	1/8	1/16	Stainless Steel	n/a
LDANPT-1/8-1/16-SS-SC	1/8	1/16	Stainless Steel	Sulfinert coating