

THAT'S WHAT WE CALL HEAVY LIFTING!

Next generation high tonnage hydraulic cylinders



ENERPAC 

▼ HCL-2006, LPL-602, HCR-2006



Reaching the Summit Edition:

- Hardened surface resists side-loading and cyclic wear
- Weather protected, inside and out
- Low friction to easily spin the load locking rings ¹⁾
- State of the art bearing materials reduce wear and avoid bore damage even in high side-load conditions

Low wear, high pressure seals

- Improved geometry and material selection increases seal performance even in harsh conditions
- Low friction to improve retraction times

Versatile

- Over 200 models in 4 configurations ¹⁾
- Certified lifting eyes, base mounting holes and collar threads are included for secure handling and cylinder mounting ¹⁾

¹⁾ See specific models technical data for more information.

Highest Level of Durability



The Summit Edition

Innovation is at the heart of the new Summit Edition of cylinders, delivering the high quality construction that you expect from Enerpac. The durability ensures your job gets done safely and reliably.

- Plunger support bearing adds support for eccentric loads ²⁾
- Nitrocarburization surface treatment for improved wear resistance and corrosion protection
- Low wear, high pressure seals provide longer service life.

²⁾ Eccentric load (or "side-load") is inevitable in heavy lifting. Our unique Summit Edition features provide the ultimate protection against side-load. Increased bearing surface maintains stability and nitrocarburization treatment prevents scoring on the inside of the cylinder. Side-load poses a real problem.... our new cylinder features are the solution!

▼ Bridge lifting and launching system. The load is balanced on groups of lock nut cylinders. The hydraulic movements are synchronised using the Enerpac PLC-controlled synchronous lift systems.





High Tonnage Cylinders

The Enerpac High Tonnage Cylinders are particularly suitable for (multipoint) lifting applications.

In combination with our state of the art power packs, you will have a world class hydraulic system to perform the most challenging lifting jobs in a safe and professional manner. See the back page for more information on our pump offering.

HCG, HCR, HCL-Series Cylinders

- 50 - 1000 ton lifting capacity
- 50 - 300 mm lifting stroke

HCG-Series - single-acting

- gravity return
- stop ring to prevent plunger blow-out
- designed to withstand up to 10% side-load of maximum capacity.

HCR-Series - double-acting

- hydraulic advance and retract for controlled movement
- designed to withstand up to 10% side-load of maximum capacity.

HCL-Series - lock nut, single-acting

- gravity return
- lock nut for mechanical load holding
- overflow port to prevent plunger blow out
- designed to withstand 10% side-load up to 90% of maximum stroke.

LPL-Series - lock nut, low height, single-acting

- 60 - 500 ton lifting capacity;
- 45 - 50 mm lifting stroke
- integrated tilt saddle
- gravity return
- lock nut for mechanical load holding
- 5-10% side-load of maximum capacity.

Page: 4

HCG HCR HCL LPL Series



Capacity:

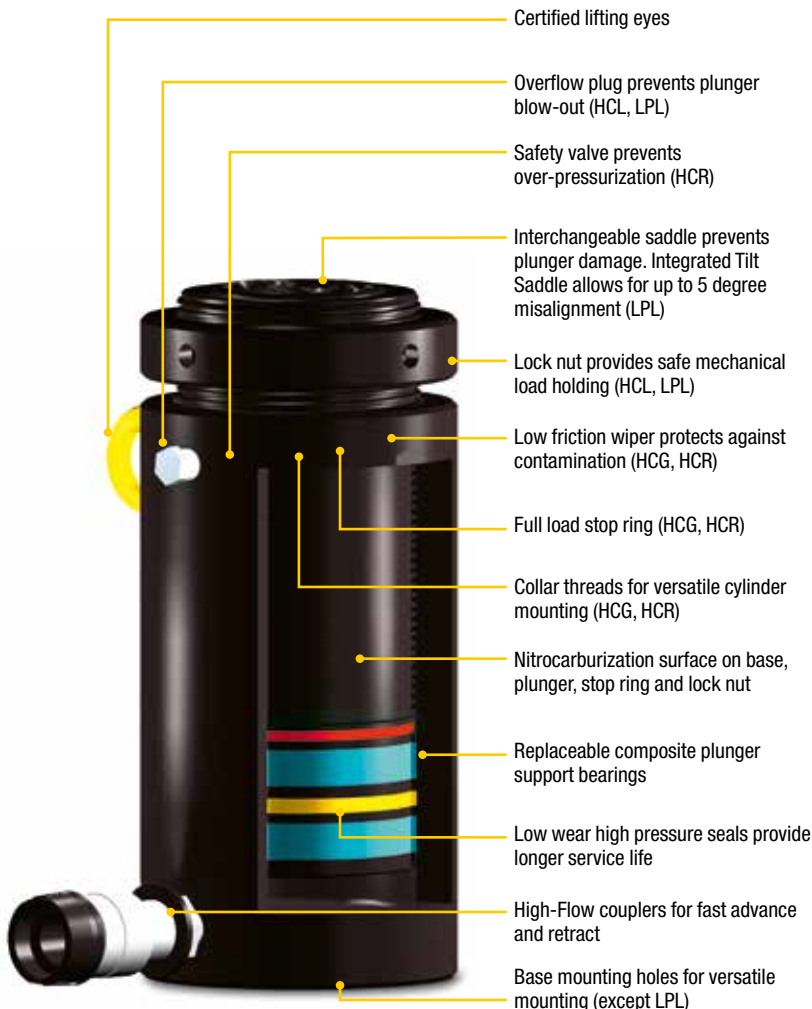
50 - 1000 ton

Stroke:

45 - 300 mm

Maximum Operating Pressure:

700 bar



Assisted Return Pumps

Enerpac HCG, HCL and LPL-Series cylinders are hydraulic advance and gravity return. To improve productivity and plunger retraction

Enerpac offers assisted return on ZU4 and ZE-Series pumps featuring Enerpac Venturi valve technology, specifically to facilitate the faster return of single-acting gravity return cylinders. See enerpac.com for details.

Page: 20



Split-Flow Pumps

SFP-Series pumps with multiple outlets with equal oil flow. For lifting and lowering applications on multiple points these pumps

are a far better alternative than using separately operated pumps.

Page: 20



Synchronous Lifting Systems

Pumps for multiple lift point capabilities. The economical **EVOB-Series** for basic applications and the multi-functional **EVO-Series** lifting system.

Page: 20



QUICK SELECTION

Cylinder Capacity ton	Stroke (mm)	Maximum Cylinder Capacity at 700 bar ton (kN)	HCG-Series		HCR-Series		HCL-Series	
			Model Number Single-Acting <i>Page:</i> 6	Collapsed Height (mm)	Model Number Double-Acting <i>Page:</i> 10	Collapsed Height (mm)	Model Number Single-Acting With Lock Nut <i>Page:</i> 14	Collapsed Height (mm)
50	50	56 (550)	HCG-502	183	HCR-502	183	HCL-502	164
	100		HCG-504	233	HCR-504	233	HCL-504	214
	150		HCG-506	283	HCR-506	283	HCL-506	264
	200		HCG-508	346	HCR-508	346	HCL-508	314
	250		HCG-5010	396	HCR-5010	396	HCL-5010	364
	300		HCG-5012	446	HCR-5012	446	HCL-5012	414
100	50	102 (1002)	HCG-1002	202	HCR-1002	202	HCL-1002	187
	100		HCG-1004	252	HCR-1004	252	HCL-1004	237
	150		HCG-1006	302	HCR-1006	302	HCL-1006	287
	200		HCG-1008	379	HCR-1008	379	HCL-1008	337
	250		HCG-10010	429	HCR-10010	429	HCL-10010	387
	300		HCG-10012	479	HCR-10012	479	HCL-10012	437
150	50	153 (1497)	HCG-1502	220	HCR-1502	220	HCL-1502	209
	100		HCG-1504	270	HCR-1504	270	HCL-1504	259
	150		HCG-1506	320	HCR-1506	320	HCL-1506	309
	200		HCG-1508	397	HCR-1508	397	HCL-1508	359
	250		HCG-15010	447	HCR-15010	447	HCL-15010	409
	300		HCG-15012	497	HCR-15012	497	HCL-15012	459
200	50	202 (1985)	HCG-2002	231	HCR-2002	231	HCL-2002	238
	100		HCG-2004	281	HCR-2004	281	HCL-2004	288
	150		HCG-2006	331	HCR-2006	331	HCL-2006	338
	200		HCG-2008	408	HCR-2008	408	HCL-2008	388
	250		HCG-20010	458	HCR-20010	458	HCL-20010	438
	300		HCG-20012	508	HCR-20012	508	HCL-20012	488
250	50	259 (2541)	HCG-2502	241	HCR-2502	241	HCL-2502	249
	100		HCG-2504	291	HCR-2504	291	HCL-2504	299
	150		HCG-2506	341	HCR-2506	341	HCL-2506	349
	200		HCG-2508	431	HCR-2508	431	HCL-2508	399
	250		HCG-25010	481	HCR-25010	481	HCL-25010	449
	300		HCG-25012	531	HCR-25012	531	HCL-25012	499
300	50	310 (3036)	HCG-3002	296	HCR-3002	296	HCL-3002	278
	100		HCG-3004	346	HCR-3004	346	HCL-3004	328
	150		HCG-3006	396	HCR-3006	396	HCL-3006	378
	200		HCG-3008	446	HCR-3008	446	HCL-3008	428
	250		HCG-30010	496	HCR-30010	496	HCL-30010	478
	300		HCG-30012	546	HCR-30012	546	HCL-30012	528

Enerpac High Tonnage Cylinders

Capacity:
50 - 1000 ton

Stroke:
50 - 300 mm

Maximum Operating Pressure:
700 bar

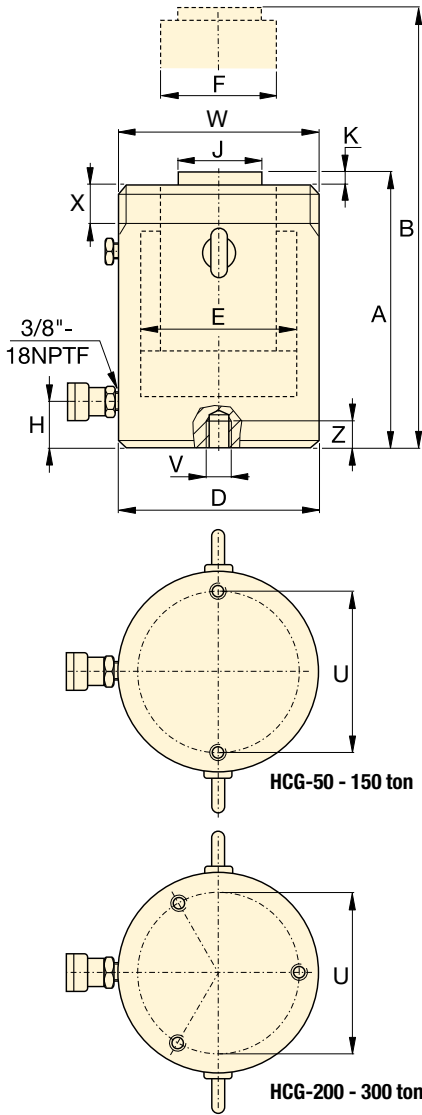
**HCG
HCR
HCL
Series**



QUICK SELECTION

Cylinder Capacity ton	Stroke (mm)	Maximum Cylinder Capacity at 700 bar ton (kN)	HCG-Series		HCR-Series		HCL-Series	
			Model Number Single-Acting <i>Page: 8</i>	Collapsed Height (mm)	Model Number Double-Acting <i>Page: 12</i>	Collapsed Height (mm)	Model Number Single-Acting With Lock Nut <i>Page: 16</i>	Collapsed Height (mm)
400	50	409 (4008)	HCG-4002	321	HCR-4002	321	HCL-4002	317
	100		HCG-4004	371	HCR-4004	371	HCL-4004	367
	150		HCG-4006	421	HCR-4006	421	HCL-4006	417
	200		HCG-4008	471	HCR-4008	471	HCL-4008	467
	250		HCG-40010	521	HCR-40010	521	HCL-40010	517
	300		HCG-40012	571	HCR-40012	571	HCL-40012	567
500	50	522 (5114)	HCG-5002	344	HCR-5002	344	HCL-5002	357
	100		HCG-5004	394	HCR-5004	394	HCL-5004	407
	150		HCG-5006	444	HCR-5006	444	HCL-5006	457
	200		HCG-5008	494	HCR-5008	494	HCL-5008	507
	250		HCG-50010	544	HCR-50010	544	HCL-50010	557
	300		HCG-50012	594	HCR-50012	594	HCL-50012	607
600	50	611 (5987)	HCG-6002	352	HCR-6002	352	HCL-6002	380
	100		HCG-6004	402	HCR-6004	402	HCL-6004	430
	150		HCG-6006	452	HCR-6006	452	HCL-6006	480
	200		HCG-6008	502	HCR-6008	502	HCL-6008	530
	250		HCG-60010	552	HCR-60010	552	HCL-60010	580
	300		HCG-60012	602	HCR-60012	602	HCL-60012	630
800	50	831 (8149)	HCG-8002	404	HCR-8002	404	HCL-8002	430
	100		HCG-8004	454	HCR-8004	454	HCL-8004	480
	150		HCG-8006	504	HCR-8006	504	HCL-8006	530
	200		HCG-8008	554	HCR-8008	554	HCL-8008	580
	250		HCG-80010	604	HCR-80010	604	HCL-80010	630
	300		HCG-80012	654	HCR-80012	654	HCL-80012	680
1000	50	1085 (10.644)	HCG-10002	442	HCR-10002	442	HCL-10002	484
	100		HCG-10004	492	HCR-10004	492	HCL-10004	534
	150		HCG-10006	542	HCR-10006	542	HCL-10006	584
	200		HCG-10008	592	HCR-10008	592	HCL-10008	634
	250		HCG-100010	642	HCR-100010	642	HCL-100010	684
	300		HCG-100012	692	HCR-100012	692	HCL-100012	734

HCG-Series, High Tonnage Cylinders



HCG-Series, Single-Acting, Gravity Return Cylinders

- Hardened surface resists side-loading and cyclic wear
- Designed to withstand 10% side-load of maximum capacity ¹⁾
- Stop ring to prevent plunger blow-out
- Weather protected, inside and out
- Upper and lower replaceable bearings enclose the cylinder plunger for support throughout the stroke
- Certified lifting eyes, base mounting holes and collar threads.

SELECTION CHART 50 -300 TON HCG-MODELS

For 400 - 1000 ton models, see pages 8-9.

For full product features see pages 2-3.

Cylinder Capacity	Stroke	Model Number	Maximum Cylinder Capacity at 700 bar ton (kN)	Cylinder Effective Area	Oil Capacity	Collapsed Height
ton	(mm)			(cm ²)	(cm ³)	A (mm)
50	50	HCG-502	56 (550)	78,5	393	183
	100	HCG-504			785	233
	150	HCG-506 ¹⁾			1178	283
	200	HCG-508			1571	346
	250	HCG-5010			1963	396
	300	HCG-5012 ¹⁾			2356	446
100	50	HCG-1002	102 (1002)	143,1	716	202
	100	HCG-1004			1431	252
	150	HCG-1006			2147	302
	200	HCG-1008			2863	379
	250	HCG-10010			3578	429
	300	HCG-10012			4294	479
150	50	HCG-1502	153 (1497)	213,8	1069	220
	100	HCG-1504			2138	270
	150	HCG-1506			3207	320
	200	HCG-1508			4276	397
	250	HCG-15010			5346	447
	300	HCG-15012			6415	497
200	50	HCG-2002	202 (1985)	283,5	1418	231
	100	HCG-2004			2835	281
	150	HCG-2006			4253	331
	200	HCG-2008			5671	408
	250	HCG-20010			7088	458
	300	HCG-20012			8506	508
250	50	HCG-2502	259 (2541)	363,1	1815	241
	100	HCG-2504			3631	291
	150	HCG-2506			5446	341
	200	HCG-2508			7261	431
	250	HCG-25010			9076	481
	300	HCG-25012			10.892	531
300	50	HCG-3002	310 (3036)	433,7	2169	296
	100	HCG-3004			4337	346
	150	HCG-3006			6506	396
	200	HCG-3008			8675	446
	250	HCG-30010			10.843	496
	300	HCG-30012			13.012	546

Collar Thread (mm)		
Model / Capacity ton	Thread Size	Thread Length
	W	X
HCG-50	M130 x 2	30
HCG-100	M175 x 3	46
HCG-150	M215 x 3	55
HCG-200	M250 x 3	63
HCG-250	M280 x 3	64
HCG-300	M305 x 3	73

The collar thread length is designed for the full rated cylinder capacity.

Base Mounting Holes (mm)					
Model / Capacity ton	Bolt Circle	Thread Size	Minimum Thread Depth	Number of Holes	Angle from Coupler
	U	V	Z		
HCG-50	105	M12 x 1,75	22	2	90°
HCG-100	150	M12 x 1,75	22	2	90°
HCG-150	185	M12 x 1,75	22	2	90°
HCG-200	215	M12 x 1,75	22	3	60°
HCG-250	245	M12 x 1,75	22	3	60°
HCG-300	260	M16 x 2	25	3	60°

¹⁾ HCG-506 and HCG-5012: 7% side-load of maximum capacity.

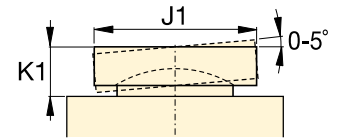
Single-Acting, High Tonnage Cylinders

Capacity:
50 - 300 ton


Stroke:
50 - 300 mm

Maximum Operating Pressure:
700 bar

HCG
Series

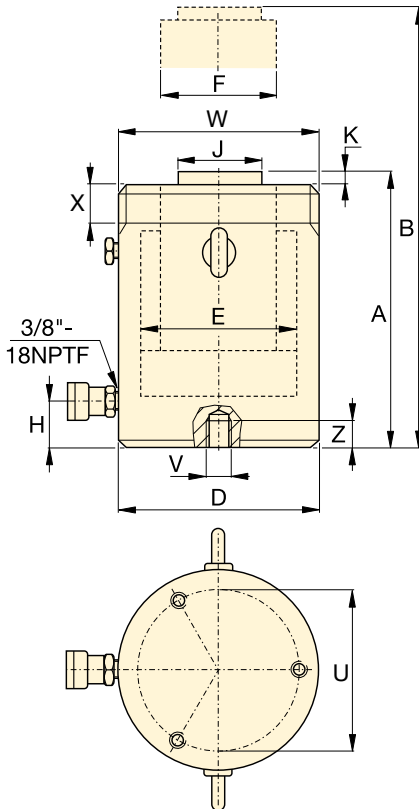


CATG-Serie Tilt Saddle

	Extended Height B (mm)	Outside Diameter D (mm)	Cylinder Bore Diameter E (mm)	Plunger Diameter F (mm)	Base to Advance Port H (mm)	Standard Saddle Diameter J (mm)	Saddle Protrusion from Plunger K (mm)	 (kg)	Model Number	Optional Tilt Saddle		
										Diameter J1 (mm)	Height K1 (mm)	Saddle Model Number
	233	130	100	70	38	50	3	17	HCG-502	50	24	CATG-50
	333							20	HCG-504			
	433							24	HCG-506 ¹⁾			
	546							29	HCG-508			
	646							32	HCG-5010			
	746							36	HCG-5012 ¹⁾			
	252	175	135	95	38	75	3	33	HCG-1002	73	29	CATG-100
	352							40	HCG-1004			
	452							46	HCG-1006			
	579							58	HCG-1008			
	679							65	HCG-10010			
	779							71	HCG-10012			
	270	215	165	120	41	94	3	56	HCG-1502	91	31	CATG-150
	370							66	HCG-1504			
	470							76	HCG-1506			
	597							94	HCG-1508			
	697							104	HCG-15010			
	797							115	HCG-15012			
	281	250	190	140	47	113	3	81	HCG-2002	118	35	CATG-200
	381							95	HCG-2004			
	481							109	HCG-2006			
	608							136	HCG-2008			
	708							150	HCG-20010			
	808							164	HCG-20012			
	291	280	215	170	53	145	4	107	HCG-2502	144	47	CATG-250
	391							125	HCG-2504			
	491							144	HCG-2506			
	631							182	HCG-2508			
	731							201	HCG-25010			
	831							219	HCG-25012			
	346	305	235	200	58	177	4	158	HCG-3002	160	64	CATG-300
	446							182	HCG-3004			
	546							206	HCG-3006			
	646							230	HCG-3008			
	746							254	HCG-30010			
	846							278	HCG-30012			

HCG-Series, Single-Acting, Gravity Return Cylinders

- Hardened surface resists side-loading and cyclic wear
- Designed to withstand 10% side-load of maximum capacity
- Stop ring to prevent plunger blow-out
- Weather protected, inside and out
- Upper and lower replaceable bearings enclose the cylinder plunger for support throughout the stroke
- Certified lifting eyes, base mounting holes and collar threads.



SELECTION CHART 400 - 1000 TON HCG-MODELS

For 50 - 300 ton models, see pages 6-7.
For full product features see pages 2-3.

Cylinder Capacity	Stroke	Model Number	Maximum Cylinder Capacity at 700 bar	Cylinder Effective Area	Oil Capacity	Collapsed Height
ton	(mm)		ton (kN)	(cm ²)	(cm ³)	A (mm)
400	50	HCG-4002	409 (4008)	572,6	2863	321
	100	HCG-4004			5726	371
	150	HCG-4006			8588	421
	200	HCG-4008			11.451	471
	250	HCG-40010			14.314	521
	300	HCG-40012			17.177	571
500	50	HCG-5002	522 (5114)	730,6	3653	344
	100	HCG-5004			7306	394
	150	HCG-5006			10.959	444
	200	HCG-5008			14.612	494
	250	HCG-50010			18.265	544
	300	HCG-50012			21.918	594
600	50	HCG-6002	611 (5987)	855,3	4276	352
	100	HCG-6004			8553	402
	150	HCG-6006			12.829	452
	200	HCG-6008			17.106	502
	250	HCG-60010			21.382	552
	300	HCG-60012			25.659	602
800	50	HCG-8002	831 (8149)	1164,2	5821	404
	100	HCG-8004			11.642	454
	150	HCG-8006			17.462	504
	200	HCG-8008			23.283	554
	250	HCG-80010			29.104	604
	300	HCG-80012			34.925	654
1000	50	HCG-10002	1085 (10.644)	1520,5	7603	442
	100	HCG-10004			15.205	492
	150	HCG-10006			22.808	542
	200	HCG-10008			30.411	592
	250	HCG-100010			38.013	642
	300	HCG-100012			45.616	692

Collar Thread (mm)		
Model / Capacity ton	Thread Size	Thread Length
	W	X
HCG-400	M350 x 3	83
HCG-500	M400 x 4	90
HCG-600	M430 x 4	100
HCG-800	M505 x 5	122
HCG-1000	M570 x 5	137

The collar thread length is designed for the full rated cylinder capacity.

Base Mounting Holes (mm)					
Model / Capacity ton	Bolt Circle	Thread Size	Minimum Thread Depth	Number of Holes	Angle from Coupler
	U	V	Z		
HCG-400	300	M16 x 2	25	3	60°
HCG-500	340	M24 x 3	36	3	60°
HCG-600	370	M24 x 3	36	3	60°
HCG-800	440	M24 x 3	36	3	60°
HCG-1000	500	M24 x 3	36	3	60°

Single-Acting, High Tonnage Cylinders



▲ Offshore wind turbines levelling: Enerpac's synchronous lifting system provided the solution for levelling the supporting cross pieces for 80 wind turbines.

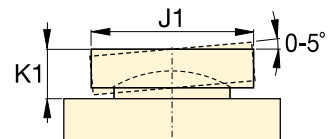
HCG Series



Capacity:
400 - 1000 ton

Stroke:
50 - 300 mm

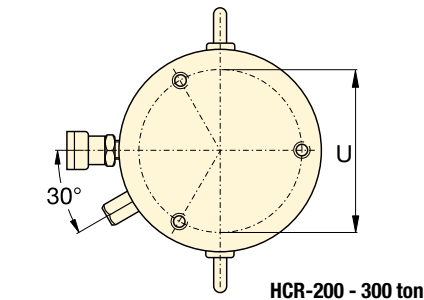
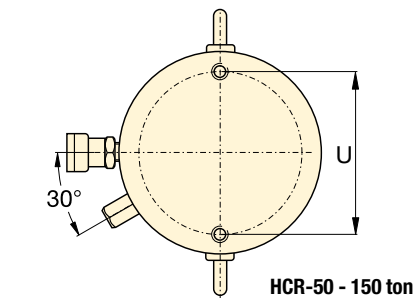
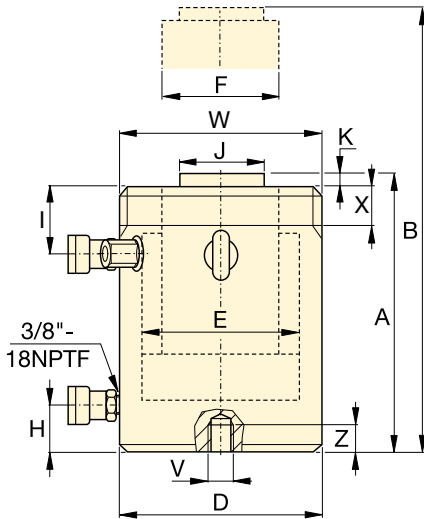
Maximum Operating Pressure:
700 bar



CATG-Series Tilt Saddle

Extended Height B (mm)	Outside Diameter D (mm)	Cylinder Bore Diameter E (mm)	Plunger Diameter F (mm)	Base to Advance Port H (mm)	Standard Saddle Diameter J (mm)	Saddle Protrusion from Plunger K (mm)	Model Number	Optional Tilt Saddle		
								Diameter J1 (mm)	Height K1 (mm)	Saddle Model Number
371	350	270	220	74	196	4	227	193	59	CATG-400
471							257			
571							287			
671							317			
771							347			
871							378			
394	400	305	250	79	228	4	319	228	63	CATG-500
494							359			
594							399			
694							439			
794							479			
894							519			
402	430	330	270	85	247	4	378	241	78	CATG-600
502							424			
602							470			
702							516			
802							562			
902							608			
454	505	385	320	100	297	4	606	287	87	CATG-800
554							671			
654							735			
754							800			
854							864			
954							929			
492	570	440	340	114	323	4	840	311	93	CATG-1000
592							916			
692							992			
792							1068			
892							1145			
992							1221			

HCR-Series, High Tonnage Cylinders



Collar Thread (mm)		
Model / Capacity ton	Thread Size	Thread Length
	W	X
HCR-50	M130 x 2	30
HCR-100	M175 x 3	46
HCR-150	M215 x 3	55
HCR-200	M250 x 3	63
HCR-250	M280 x 3	64
HCR-300	M305 x 3	73

The collar thread length is designed for the full rated cylinder capacity.

Base Mounting Holes (mm)					
Model / Capacity ton	Bolt Circle	Thread Size	Minimum Thread Depth	Number of Holes	Angle from Coupler
	U	V	Z		
HCR-50	105	M12 x 1,75	22	2	90°
HCR-100	150	M12 x 1,75	22	2	90°
HCR-150	185	M12 x 1,75	22	2	90°
HCR-200	215	M12 x 1,75	22	3	60°
HCR-250	245	M12 x 1,75	22	3	60°
HCR-300	260	M16 x 2	25	3	60°

HCR-Series, Double-Acting Cylinders

- Fast advance and retract
- Designed to withstand 10% side-load of maximum capacity¹⁾
- Hardened surface resists side-loading and cyclic wear
- Weather protected, inside and out
- Upper and lower replaceable bearings enclose the cylinder plunger for support throughout the stroke
- Certified lifting eyes, base mounting holes and collar threads.

SELECTION CHART & DETAILS OF 50 - 300 TON HCR-MODELS

For 400 - 1000 ton models, see pages 12-13.

For full product features see pages 2-3

Cylinder Capacity	Stroke	Model Number	Maximum Cylinder Capacity at 700 bar ton (kN)	Cylinder Effective Area	Oil Capacity	Collapsed Height
ton	(mm)			(cm ²)	(cm ³)	A (mm)
50	50	HCR-502	56 (550)	78,5	393	183
	100	HCR-504			785	233
	150	HCR-506 ¹⁾			1178	283
	200	HCR-508			1571	346
	250	HCR-5010			1963	396
	300	HCR-5012 ¹⁾			2356	446
100	50	HCR-1002	102 (1002)	143,1	716	202
	100	HCR-1004			1431	252
	150	HCR-1006			2147	302
	200	HCR-1008			2863	379
	250	HCR-10010			3578	429
	300	HCR-10012			4294	479
150	50	HCR-1502	153 (1497)	213,8	1069	220
	100	HCR-1504			2138	270
	150	HCR-1506			3207	320
	200	HCR-1508			4276	397
	250	HCR-15010			5346	447
	300	HCR-15012			6415	497
200	50	HCR-2002	202 (1985)	283,5	1418	231
	100	HCR-2004			2835	281
	150	HCR-2006			4253	331
	200	HCR-2008			5671	408
	250	HCR-20010			7088	458
	300	HCR-20012			8506	508
250	50	HCR-2502	259 (2541)	363,1	1815	241
	100	HCR-2504			3631	291
	150	HCR-2506			5446	341
	200	HCR-2508			7261	431
	250	HCR-25010			9076	481
	300	HCR-25012			10.892	531
300	50	HCR-3002	310 (3036)	433,7	2169	296
	100	HCR-3004			4337	346
	150	HCR-3006			6506	396
	200	HCR-3008			8675	446
	250	HCR-30010			10.843	496
	300	HCR-30012			13.012	546

¹⁾ HCR-506 and HCR-5012: 7% side-load of maximum capacity.

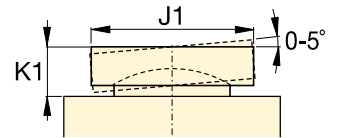
Double-Acting, High Tonnage Cylinders

Capacity:
50 - 300 ton


Stroke:
50 - 300 mm

Maximum Operating Pressure:
700 bar

HCR Series

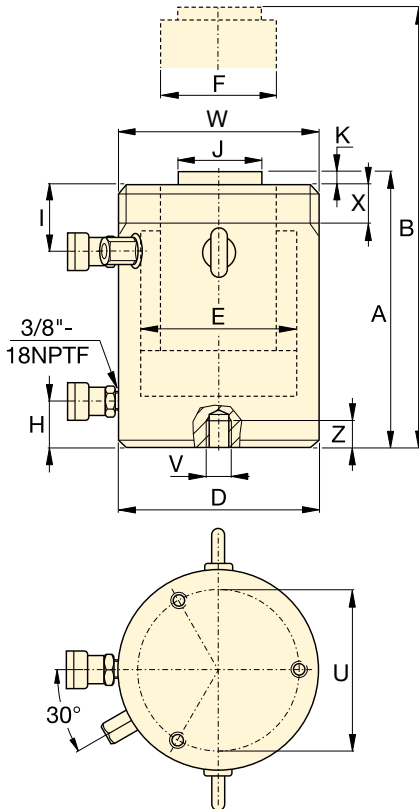


CATG-Series Tilt Saddle

	Extended Height B (mm)	Outside Diameter D (mm)	Cylinder Bore Diameter E (mm)	Plunger Diameter F (mm)	Base to Advance Port H (mm)	Top to Retract Port I (mm)	Standard Saddle Diameter J (mm)	Saddle Protrusion from Plunger K (mm)	 (kg)	Model Number	Optional Tilt Saddle		
											Diameter J1 (mm)	Height K1 (mm)	Saddle Model Number
	233	130	100	70	38	45	50	3	17	HCR-502	50	24	CATG-50
	333								21	HCR-504			
	433								25	HCR-506 ¹⁾			
	546								31	HCR-508			
	646								34	HCR-5010			
	746								38	HCR-5012 ¹⁾			
	252	175	135	95	38	65	75	3	34	HCR-1002	73	29	CATG-100
	352								41	HCR-1004			
	452								48	HCR-1006			
	579								59	HCR-1008			
	679								66	HCR-10010			
	779								73	HCR-10012			
	270	215	165	120	41	70	94	3	56	HCR-1502	91	31	CATG-150
	370								67	HCR-1504			
	470								78	HCR-1506			
	597								95	HCR-1508			
	697								106	HCR-15010			
	797								116	HCR-15012			
	281	250	190	140	47	79	113	3	81	HCR-2002	118	35	CATG-200
	381								96	HCR-2004			
	481								111	HCR-2006			
	608								139	HCR-2008			
	708								153	HCR-20010			
	808								168	HCR-20012			
	291	280	215	170	53	79	145	4	107	HCR-2502	144	47	CATG-250
	391								127	HCR-2504			
	491								146	HCR-2506			
	631								184	HCR-2508			
	731								207	HCR-25010			
	831								227	HCR-25012			
	346	305	235	200	58	101	177	4	159	HCR-3002	160	64	CATG-300
	446								183	HCR-3004			
	546								208	HCR-3006			
	646								232	HCR-3008			
	746								257	HCR-30010			
	846								281	HCR-30012			

HCR-Series, Double-Acting Cylinders

- Fast advance and retract
- Designed to withstand 10% side-load of maximum capacity
- Hardened surface resists side-loading and cyclic wear
- Weather protected, inside and out
- Upper and lower replaceable bearings enclose the cylinder plunger for support throughout the stroke
- Certified lifting eyes, base mounting holes and collar threads.



SELECTION CHART & DETAILS OF 400 - 1000 TON HCR-MODELS

For 50 - 300 ton models, see pages 10-11.

For full product features see pages 2-3.

Cylinder Capacity	Stroke	Model Number	Maximum Cylinder Capacity at 700 bar	Cylinder Effective Area	Oil Capacity	Collapsed Height
ton	(mm)		ton (kN)	(cm ²)	(cm ³)	A (mm)
400	50	HCR-4002	409 (4008)	572,6	2863	321
	100	HCR-4004			5726	371
	150	HCR-4006			8588	421
	200	HCR-4008			11.451	471
	250	HCR-40010			14.314	521
	300	HCR-40012			17.177	571
500	50	HCR-5002	522 (5114)	730,6	3653	344
	100	HCR-5004			7306	394
	150	HCR-5006			10.959	444
	200	HCR-5008			14.612	494
	250	HCR-50010			18.265	544
	300	HCR-50012			21.918	594
600	50	HCR-6002	611 (5987)	855,3	4276	352
	100	HCR-6004			8553	402
	150	HCR-6006			12.829	452
	200	HCR-6008			17.106	502
	250	HCR-60010			21.382	552
	300	HCR-60012			25.659	602
800	50	HCR-8002	831 (8149)	1164,2	5821	404
	100	HCR-8004			11.642	454
	150	HCR-8006			17.462	504
	200	HCR-8008			23.283	554
	250	HCR-80010			29.104	604
	300	HCR-80012			34.925	654
1000	50	HCR-10002	1085 (10.644)	1520,5	7603	442
	100	HCR-10004			15.205	492
	150	HCR-10006			22.808	542
	200	HCR-10008			30.411	592
	250	HCR-100010			38.013	642
	300	HCR-100012			45.616	692

Collar Thread (mm)		
Model / Capacity ton	Thread Size	Thread Length
	W	X
HCR-400	M350 x 3	83
HCR-500	M400 x 4	90
HCR-600	M430 x 4	100
HCR-800	M505 x 5	122
HCR-1000	M570 x 5	137

The collar thread length is designed for the full rated cylinder capacity.

Base Mounting Holes (mm)					
Model / Capacity ton	Bolt Circle	Thread Size	Minimum Thread Depth	Number of Holes	Angle from Coupler
	U	V	Z		
HCR-400	300	M16 x 2	25	3	60°
HCR-500	340	M24 x 3	36	3	60°
HCR-600	370	M24 x 3	36	3	60°
HCR-800	440	M24 x 3	36	3	60°
HCR-1000	500	M24 x 3	36	3	60°

Double-Acting, High Tonnage Cylinders



▲ The superlifting and launch of a 43.000-ton floating oil production system in Malaysia for the Gumusut-Kakap offshore field has set high benchmarks for safety through its use of sophisticated EVO-Series synchronous hydraulics to lift, balance, weigh and smoothly launch massive resources structures.

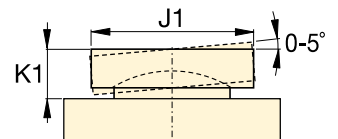
HCR Series



Capacity:
400 - 1000 ton

Stroke:
50 - 300 mm

Maximum Operating Pressure:
700 bar



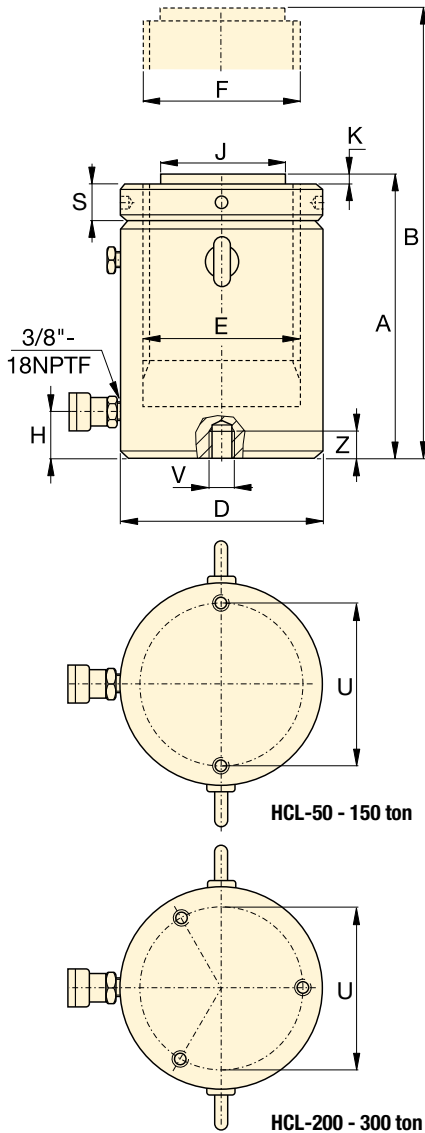
CATG-Series Tilt Saddle

Extended Height B (mm)	Outside Diameter D (mm)	Cylinder Bore Diameter E (mm)	Plunger Diameter F (mm)	Base to Advance Port H (mm)	Top to Retract Port I (mm)	Standard Saddle Diameter J (mm)	Saddle Protrusion from Plunger K (mm)	Model Number	Optional Tilt Saddle		
									Diameter J1 (mm)	Height K1 (mm)	Saddle Model Number
371	350	270	220	74	111	196	4	227	193	59	CATG-400
471								258			
571								289			
671								321			
771								352			
871								383			
394	400	305	250	79	121	228	4	320	228	63	CATG-500
494								361			
594								402			
694								443			
794								484			
894								525			
402	430	330	270	85	121	247	4	379	241	78	CATG-600
502								427			
602								474			
702								521			
802								568			
902								615			
454	505	385	320	100	143	297	4	608	287	87	CATG-800
554								674			
654								740			
754								806			
854								872			
954								938			
492	570	440	340	114	153	323	4	843	311	93	CATG-1000
592								921			
692								1000			
792								1079			
892								1158			
992								1236			

HCL-Series, High Tonnage Lock Nut Cylinders

HCL-Series, Single-Acting, Gravity Return Cylinders

- Lock nut provides positive and safe mechanical load holding
- Low friction to easily spin the load locking rings
- Designed to withstand 10% side-load up to 90% of maximum stroke
- Hardened surface resists side-loading and cyclic wear
- Overflow port as stroke limiter to prevent plunger blow-out
- Weather protected, inside and out
- Replaceable bearings enclose the plunger for support throughout the stroke
- Certified lifting eyes and base mounting holes.



SELECTION CHART 50 - 300 TON HCL-MODELS

For 400 - 1000 ton models, see pages 16-17.

For full product features see pages 2-3.

Cylinder Capacity ton	Stroke (mm)	Model Number	Maximum Cylinder Capacity at 700 bar ton (kN)	Cylinder Effective Area (cm ²)	Oil Capacity (cm ³)	Collapsed Height A (mm)
50	50	HCL-502	56 (550)	78,5	393	164
	100	HCL-504			785	214
	150	HCL-506			1178	264
	200	HCL-508			1571	314
	250	HCL-5010			1963	364
	300	HCL-5012			2356	414
100	50	HCL-1002	102 (1002)	143,1	716	187
	100	HCL-1004			1431	237
	150	HCL-1006			2147	287
	200	HCL-1008			2863	337
	250	HCL-10010			3578	387
	300	HCL-10012			4294	437
150	50	HCL-1502	153 (1497)	213,8	1069	209
	100	HCL-1504			2138	259
	150	HCL-1506			3207	309
	200	HCL-1508			4276	359
	250	HCL-15010			5346	409
	300	HCL-15012			6415	459
200	50	HCL-2002	202 (1985)	283,5	1418	238
	100	HCL-2004			2835	288
	150	HCL-2006			4253	338
	200	HCL-2008			5671	388
	250	HCL-20010			7088	438
	300	HCL-20012			8506	488
250	50	HCL-2502	259 (2541)	363,1	1815	249
	100	HCL-2504			3631	299
	150	HCL-2506			5446	349
	200	HCL-2508			7261	399
	250	HCL-25010			9076	449
	300	HCL-25012			10.892	499
300	50	HCL-3002	310 (3036)	433,7	2169	278
	100	HCL-3004			4337	328
	150	HCL-3006			6506	378
	200	HCL-3008			8675	428
	250	HCL-30010			10.843	478
	300	HCL-30012			13.012	528

Base Mounting Holes (mm)					
Model / Capacity ton	Bolt Circle U	Thread Size V	Minimum Thread Depth Z	Number of Holes	Angle from Coupler
HCL-50	105	M8 x 1,25	10	2	90°
HCL-100	150	M12 x 1,75	17	2	90°
HCL-150	185	M12 x 1,75	22	2	90°
HCL-200	215	M12 x 1,75	22	3	60°
HCL-250	245	M12 x 1,75	22	3	60°
HCL-300	260	M16 x 2	25	3	60°

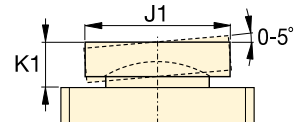
Single-Acting, Lock Nut Cylinders

Capacity:
50 - 300 ton


Stroke:
50 - 300 mm

Maximum Operating Pressure:
700 bar

HCL Series



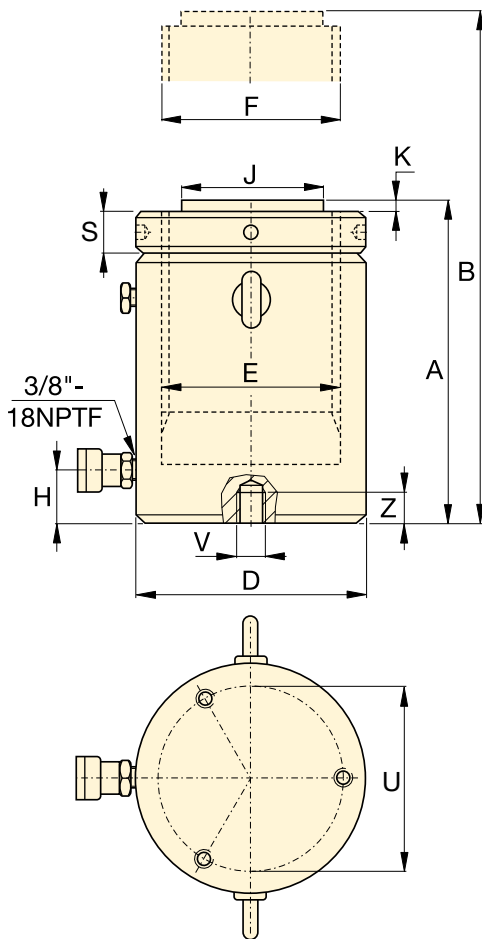
CAT-Series Tilt Saddle

	Extended Height B (mm)	Outside Diameter D (mm)	Cylinder Bore Diameter E (mm)	Plunger Diameter (threaded) F (mm)	Base to Advance Port H (mm)	Standard Saddle Diameter J (mm)	Saddle Protrusion from Plunger K (mm)	Lock Nut Height S (mm)	 (kg)	Model Number	Optional Tilt Saddle		
											Diameter J1 (mm)	Height K1 (mm)	Saddle Model Number
	214	130	100	Tr 100 x 4	24	71	2	25	17	HCL-502	71	24	CAT-100
	314								22	HCL-504			
	414								27	HCL-506			
	514								32	HCL-508			
	614								38	HCL-5010			
	714								43	HCL-5012			
	237	175	135	Tr 135 x 6	33	71	2	33	35	HCL-1002	71	24	CAT-100
	337								44	HCL-1004			
	437								54	HCL-1006			
	537								63	HCL-1008			
	637								73	HCL-10010			
	737								82	HCL-10012			
	259	215	165	Tr 165 x 6	41	130	2	40	59	HCL-1502	130	19	CAT-200
	359								73	HCL-1504			
	459								87	HCL-1506			
	559								102	HCL-1508			
	659								116	HCL-15010			
	759								130	HCL-15012			
	288	250	190	Tr 190 x 6	47	130	2	45	85	HCL-2002	130	19	CAT-200
	388								105	HCL-2004			
	488								124	HCL-2006			
	588								143	HCL-2008			
	688								163	HCL-20010			
	788								182	HCL-20012			
	299	280	215	Tr 215 x 6	53	150	2	52	119	HCL-2502	150	19	CAT-250
	399								143	HCL-2504			
	499								167	HCL-2506			
	599								192	HCL-2508			
	699								216	HCL-25010			
	799								240	HCL-25012			
	328	305	235	Tr 235 x 6	58	140	2	56	158	HCL-3002	195	73	CAT-300
	428								186	HCL-3004			
	528								215	HCL-3006			
	628								244	HCL-3008			
	728								272	HCL-30010			
	828								301	HCL-30012			

HCL-Series, High Tonnage Lock Nut Cylinders

HCL-Series, Single-Acting, Gravity Return Cylinders

- Lock nut provides positive and safe mechanical load holding
- Low friction to easily spin the load locking rings
- Designed to withstand 10% side-load up to 90% of maximum stroke
- Hardened surface resists side-loading and cyclic wear
- Overflow port as stroke limiter to prevent plunger blow-out
- Weather protected, inside and out
- Replaceable bearings enclose the plunger for support throughout the stroke
- Certified lifting eyes and base mounting holes.



SELECTION CHART 400 - 1000 TON HCL-MODELS

For 50 - 300 ton models, see pages 14-15.

For full product features see pages 2-3

Cylinder Capacity	Stroke	Model Number	Maximum Cylinder Capacity at 700 bar ton (kN)	Cylinder Effective Area (cm ²)	Oil Capacity (cm ³)	Collapsed Height A (mm)
ton	(mm)					
400	50	HCL-4002	409 (4008)	572,6	2863	317
	100	HCL-4004			5726	367
	150	HCL-4006			8588	417
	200	HCL-4008			11.451	467
	250	HCL-40010			14.314	517
	300	HCL-40012			17.177	567
500	50	HCL-5002	522 (5114)	730,6	3653	357
	100	HCL-5004			7306	407
	150	HCL-5006			10.959	457
	200	HCL-5008			14.612	507
	250	HCL-50010			18.265	557
	300	HCL-50012			21.918	607
600	50	HCL-6002	611 (5987)	855,3	4276	380
	100	HCL-6004			8553	430
	150	HCL-6006			12.829	480
	200	HCL-6008			17.106	530
	250	HCL-60010			21.382	580
	300	HCL-60012			25.659	630
800	50	HCL-8002	831 (8149)	1164,2	5821	430
	100	HCL-8004			11.642	480
	150	HCL-8006			17.462	530
	200	HCL-8008			23.283	580
	250	HCL-80010			29.104	630
	300	HCL-80012			34.925	680
1000	50	HCL-10002	1085 (10.644)	1520,5	7603	484
	100	HCL-10004			15.205	534
	150	HCL-10006			22.808	584
	200	HCL-10008			30.411	634
	250	HCL-100010			38.013	684
	300	HCL-100012			45.616	734

Base Mounting Holes (mm)					
Model / Capacity ton	Bolt Circle U	Thread Size V	Minimum Thread Depth Z	Number of Holes	Angle from Coupler
HCL-400	300	M16 x 2	25	3	60°
HCL-500	340	M24 x 3	36	3	60°
HCL-600	370	M24 x 3	36	3	60°
HCL-800	440	M24 x 3	36	3	60°
HCL-1000	500	M24 x 3	36	3	60°

Single-Acting, Lock Nut Cylinders



▲ Heavy lifting and foundation levelling. The lock nut provides mechanical load holding over a long period of time.

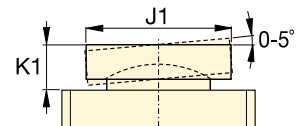
HCL Series




Capacity:
400 - 1000 ton

Stroke:
50 - 300 mm

Maximum Operating Pressure:
700 bar



CAT-Series Tilt Saddle

Extended Height B (mm)	Outside Diameter D (mm)	Cylinder Bore Diameter E (mm)	Plunger Diameter (threaded) F (mm)	Base to Advance Port H (mm)	Standard Saddle Diameter J (mm)	Saddle Protrusion from Plunger K (mm)	Lock Nut Height S (mm)	 (kg)	Model Number	Optional Tilt Saddle		
										Diameter J1 (mm)	Height K1 (mm)	Model Number
367	350	270	Tr 270 x 6	67	159	5	65	236	HCL-4002	225	85	CAT-400
467								274	HCL-4004			
567								311	HCL-4006			
667								349	HCL-4008			
767								387	HCL-40010			
867								425	HCL-40012			
407	400	305	Tr 305 x 6	75	179	5	72	341	HCL-5002	250	91	CAT-500
507								390	HCL-5004			
607								439	HCL-5006			
707								489	HCL-5008			
807								538	HCL-50010			
907								587	HCL-50012			
430	430	330	Tr 330 x 6	81	194	5	80	427	HCL-6002	275	99	CAT-600
530								484	HCL-6004			
630								541	HCL-6006			
730								598	HCL-6008			
830								655	HCL-60010			
930								712	HCL-60012			
480	505	385	Tr 385 x 6	95	224	5	90	668	HCL-8002	320	124	CAT-800
580								746	HCL-8004			
680								825	HCL-8006			
780								904	HCL-8008			
880								982	HCL-80010			
980								1061	HCL-80012			
534	570	440	Tr 440 x 6	110	249	5	105	959	HCL-10002	360	136	CAT-1000
634								1059	HCL-10004			
734								1160	HCL-10006			
834								1260	HCL-10008			
934								1360	HCL-100010			
1034								1460	HCL-100012			

LPL-Series, Low Height Lock Nut Cylinders

▼ LPL-Series, Low Height Lock Nut Cylinders



- Lock nut provide mechanical load holding for a safe work environment
- Integrated tilt saddle allows for up to 5 degrees of misalignment
- Extreme low height for use in confined areas
- Side-load resistance 5-10% of maximum capacity
- Overflow port as stroke limiter to prevent plunger blow-out
- Single-acting, gravity return.

▼ Only the extreme low height LPL-cylinder fits in this confined area to lift the construction. The lock nut provides positive and safe mechanical load holding over a long period of time.



Integrated Tilt Saddles

All LPL-Series cylinders include integral tilt saddles with maximum tilt angles up to 5°.



The Summit Edition

Innovation is at the heart of the new Summit Edition of cylinders, delivering the high quality construction that you expect from Enerpac. The durability ensures your job gets done safely and reliably.

- Replaceable plunger support bearing adds support for eccentric loads *
- Nitrocarburization surface treatment for improved load and wear resistance and corrosion protection
- Low wear, high pressure seals provide longer service life.

* Eccentric load (or "side-load") is inevitable in heavy lifting. Our unique Summit Edition features provide the ultimate protection against side load. Increased bearing surface maintains stability and nitrocarburization treatment prevents scoring on the inside of the cylinder. Side-load poses a real problem.... our new cylinder features are the solution!

Cylinder Capacity	Stroke	Model Number	Maximum Cylinder Capacity at 700 bar ton (kN)	Side-load Resistance of Maximum Capacity	Cylinder Effective Area
ton	(mm)				(cm ²)
60	50	LPL-602	62 (606)	10%	86,6
100	50	LPL-1002	102 (1002)	10%	143,1
150	45	LPL-1602	162 (1589)	8%	227,0
200	45	LPL-2002	202 (1985)	8%	283,5
250	45	LPL-2502	259 (2541)	5%	363,1
400	45	LPL-4002	409 (4008)	5%	572,6
500	45	LPL-5002	522 (5114)	5%	730,6

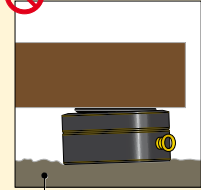
Single-Acting, Low Height Lock Nut Cylinders



IMPORTANT!

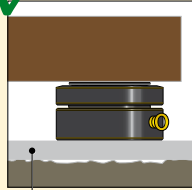
All LPL-Series cylinders require a solid lifting surface for correct support. The use of these cylinders on surfaces such as sand, mud or dirt, may result in cylinder damage.

WRONG!



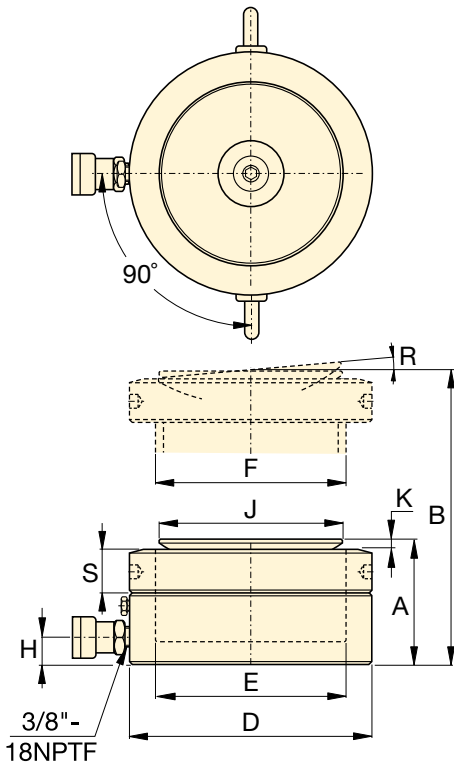
Rough soil

RIGHT!



Flat lifting surface

For more safety instructions see our 'Learning Center' on www.enerpac.com



LPL Series



Capacity:

60 - 500 ton

Stroke:

45 - 50 mm

Maximum Operating Pressure:

700 bar



Longer Stroke Lock Nut Cylinders

For longer stroke applications **HCL-Series** lock nut cylinders are the perfect choice.

Page: **4**



Split-Flow Pumps

SFP-Series Pumps with multiple outlets with equal oil flow. For lifting and lowering applications on multiple points these pumps are a far better alternative than using separately operated pumps.


Page: **20**



Synchronous Lifting Systems

Pumps for multiple lift point capabilities. The economical **EVOB-Series** for basic applications and the multi-functional **EVO-Series** lifting system.

Page: **20**

Oil Capacity	Collapsed Height	Extended Height	Outside Diameter	Cylinder Bore Diameter	Plunger Diameter	Base to Advance Port	Saddle Diameter	Saddle Protrusion from Plgr.	Saddle Max. Tilt Angle	Lock Nut Height	 (kg)	Model Number
(cm ³)	A (mm)	B (mm)	D (mm)	E (mm)	F (mm)	H (mm)	J (mm)	K (mm)	R	S (mm)		
433,0	126	176	140	105	Tr 105 x 4	19	96	7	5°	28	15	LPL-602
715,7	137	187	173	135	Tr 135 x 6	21	126	8	5°	31	25	LPL-1002
1021,4	148	193	220	170	Tr 170 x 6	27	160	9	5°	40	43	LPL-1602
1275,9	155	200	245	190	Tr 190 x 6	30	180	10	5°	43	55	LPL-2002
1633,7	159	204	275	215	Tr 215 x 6	32	200	12	5°	43	70	LPL-2502
2576,5	178	223	350	270	Tr 270 x 6	40	250	12	4°	55	129	LPL-4002
3287,8	192	237	400	305	Tr 305 x 6	49	290	10	3°	61,5	183	LPL-5002

Heavy Lifting powered by Enerpac



Controlled Hydraulic Movement

At Enerpac, we specialize in designing high-pressure hydraulic systems required for the controlled movement of large, heavy structures.

Around the world, construction experts consult with Enerpac to develop integrated hydraulic solutions for the relocation, positioning, raising and lowering of structures such as bridges, tunnels, buildings, ship modules and platforms.

Together, with your engineers and our hydraulic experience, we can develop the innovative solutions you need for the controlled hydraulic movement of those large, heavy burdens.

Heavy Lifting Technology

- Synchronous Lifting Systems
- Jack-Up Systems
- Bridge Launching Systems
- Synchronous Hoisting Systems
- Telescopic Hydraulic Gantries
- Heavy-Lifting Strand Jacks
- Skidding Systems
- Self-Erecting Towers
- Chain Pulling Systems
- Self-Propelled Modular Transporter

Powerpacks for lifting applications



SFP-Series

Split flow pumps distribute an equal amount of hydraulic oil to a maximum of 6 outlets. Smart valve technology allows both controlled lifting and lowering of heavy loads.

Assisted Return Pumps

To improve productivity and plunger retraction Enerpac offers assisted return on ZU4 and ZE-Series pumps featuring Enerpac Venturi valve technology, specifically to facilitate the faster return of single-acting gravity return cylinders. See enerpac.com for details.

EVOB-Series

Basic PLC-controlled lifting systems using stroke sensors signals for synchronized lifting and lowering of multiple lifting points. Depending on model, this pump can control 4 up to 8 lifting points.

EVO-Series

Multifunctional PLC-controlled lifting systems for up to 12 lifting points. Modular network capability between units to synchronize up to 48 points. Smart pump technology in combination with stroke and load monitoring per lifting point, provides high accuracy for lifting and lowering applications.

Optional: Weighing and center of gravity determination.

Enerpac Worldwide Locations

For a complete list of addresses see: www.enerpac.com/en/contact-us

About Enerpac

Enerpac is the leading global provider of high-pressure hydraulic tools and solutions with a broad range of products, local expertise and worldwide distribution network. With a proven track record in a wide range of markets, Enerpac designs and manufactures high-quality tools and solutions for all industrial applications.

Enerpac has gained unique experience in delivering hydraulic solutions for the controlled movement and positioning of heavy objects. Enerpac supports your business by offering the right solutions and service to help you get your work done efficiently and safely.

Your Enerpac Distributor: