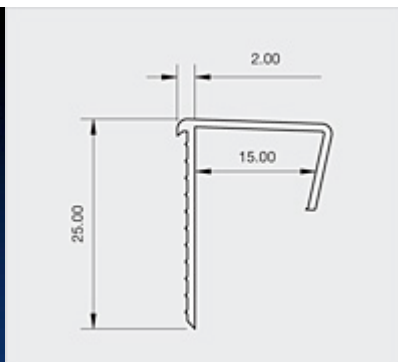
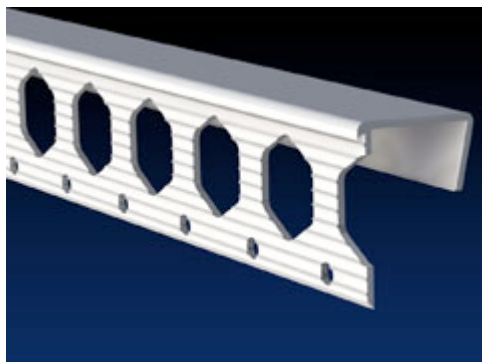


## Plasterboard Edge Beads: EB15

**Renderplas** 



Locally manufactured from recycled plastic, Renderplas PVCu clip on edge beads / board stops are designed for plasterboard and cement board to provide protection to edges and a superior finish. On plasterboard at edges formed at door frames, windows and skirting boards or at a change of finish; on cement board at the exposed edge of the system

### Performance: design data

<b>Affiliations</b>	Federation of Plasterers and Drywall Contractors	<b>Fire</b>	Class 1Y. Combustible within fire source, self extinguishing upon removal of flame, will not contribute to the combustion of the system
<b>Applications</b>	To provide protection to edges and reduce cracking whether with skim plaster or tape and joint applications at door frames, windows and skirting boards or at a change of finish; to provide a smooth edge to cement board	<b>Health and Safety</b>	PVCu beads are safe to handle removing the dangers of cut metal; suitable for prisons and schools
<b>Chemical</b>	Zero chemical reaction with water, sand and cement, acrylic render, water based paint; avoid organic solvents, chlorate bleach, strong acids and alkalis	<b>Heat</b>	Ideal for all habitable conditions
<b>Durability</b>	Impact resistant; dissipates shock waves; outlasts metal; cleaned or painted in same way as plaster or render	<b>Guarantees</b>	Fit for purpose for at least 25 years
<b>Economics</b>	PVCu beads are faster to cut and fix than steel and are guaranteed not to stain or corrode in damp situations. They reduce casual damage on site and impact damage when fitted	<b>Mechanics</b>	13mm gap opens out when board is inserted to form a good fit
<b>Environment</b>	Locally manufactured; high recycled content; fully recyclable; low Ecopoint score of 0.004/kg delivered	<b>Pollution</b>	Ecologically benign; non-hazardous in water; non-hazardous if ingested; does not release substances into the atmosphere
		<b>Strength</b>	PVCu beads offer superior resilience to impact
		<b>Weather</b>	Not affected by weather and should be specified in all regions of high moisture or high salt

### Specification: standard data

<b>Type</b>	EB15	<b>Weight (kg/100m)</b>	5.7
<b>Authority</b>	Manufactured to ISO 9001:2000; Complies with BS EN 13914-1&2:2005; Fire Tested to BS 476; Complies with REACH	<b>Stock Colours</b>	White
<b>Brand Names</b>	Renderplas	<b>Length</b>	2.5m
<b>Description</b>	15mm PVCu Plasterboard Edge Beads (Board Stops)	<b>Packaging</b>	25 lengths in fibreboard tubes; 50 lengths in triwall boxes
<b>Composition</b>	Exterior grade impact resistant UV stable unplasticised PVCu	<b>Format</b>	Cut lengths
<b>Dimensions (mm)</b>	18mm edge and 24mm wing	<b>Price (£/100m)</b>	62.40
<b>Depth (mm)</b>	13mm to 15mm board	<b>Recycled Content %</b>	100.0%
		<b>Light</b>	UV stable; any discoloration is uniform over a single facade and within industry standards

### Site works

<b>Installation</b>	Standard industry practice and tools can be used. Cut to length with tin snips or fine tooth saw. Non-corrosive mechanical fixings should be used	<b>Storage</b>	Store vertically out of direct sunlight or extreme temperatures. Can be stored flat if supported along entire length
		<b>Supply</b>	Ex-stock next day delivery to site through extensive supply chain or direct from <a href="http://www.renderplas.co.uk">www.renderplas.co.uk</a>