

wybone

Artemis Wheelie Bin Cover



Call: 01226 744010

Web: www.wybone.co.uk

Email: sales@wybone.co.uk

The Wybone Artemis has been designed to offer a more hygienic street litter collection, with a chute to prevent against odours, and a foot pedal option to minimise contact.

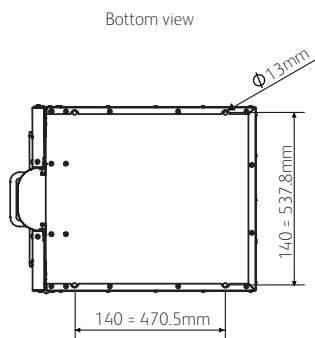
- Sloped lid to deter standing rain water or debris.
- No return chute to hide unsightly waste collections.
- Foot pedal option available to remove any contact with the unit
- Self locking slam lock door.
- Premium quality galvanised steel, powder coated in RAL 9005 Black as standard.
- A selection of waste stream artwork is available.

1YR PARTS & LABOUR GUARANTEE

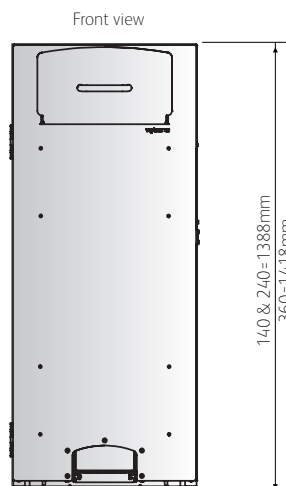
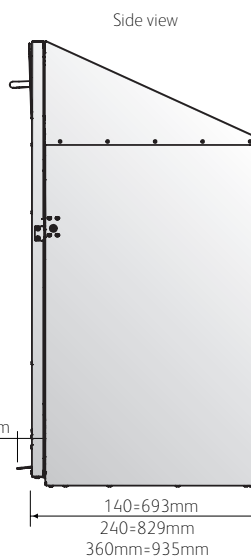
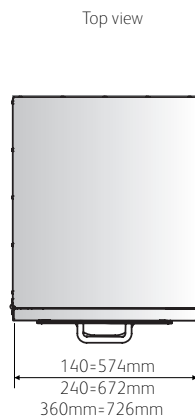
All of our products come with a 1 year parts and labour guarantee as standard.

10YR ANTI-PERFORATION WARRANTY

Our Galvanised steel products feature a 10 year anti-perforation warranty as standard. This guarantees the surface of our products from rusting through completely.



Ground fixing hole positions



Construction

Hot dipped coated galvanised material to BSEN10346 grade DX51D+Z275 offering outstanding corrosion resistance and rust protection.

Hot dipped galvanised thick laser cut base plate with 4 holes for ground fixing.

Double hinged door using twin ball bearing hinge.

Surface Finish

Electrostatically primed and powder coated and oven cured.

Standard Features

Self locking door using stainless steel slam lock, fixed with high tensile anti-tamper torx bolts.

10 Year Anti Perforation Warranty.

1 Year Parts & Labour Guarantee.

Sizes to suit wheelie bin capacities of 140 litres, 240 litres or 360 litres.

How to Order your Artemis Wheelie Bin Cover

1 Size Options

140 Litres

240 Litres

360 Litres

2 Colour Options

This product comes in black as standard, or you can choose any of the colours below:

As Standard:	Additional Colour Options:								
									
Black RAL 9005	Silver PCM30001	Grey PC7016	Dark Blue PC5013	Light Blue PC18E53	Dark Green PC6028	Green PC6005	Yellow PC1021	Red PC3020	Orange PC2004

3 Text Options

(For full range see separate options sheet or contact us)

LITTER

Vinyl Gold | V/LITT/GLD | £6.00
Vinyl Silver | V/LITT/SIL | £6.00

**LITTER &
DOG WASTE**

Vinyl Gold | V/LDW/GLD | £6.00
Vinyl Silver | V/LDW/SIL | £6.00

RECYCLING

Vinyl Gold | V/REC/GLD | £6.00
Vinyl Silver | V/REC/SIL | £6.00

PLASTIC

Vinyl Gold | V/PLA/GLD | £6.00
Vinyl Silver | V/PLA/SIL | £6.00

GLASS

Vinyl Gold | V/G/GLD | £6.00
Vinyl Silver | V/G/SIL | £6.00

**PLASTIC
BOTTLES**

Vinyl Gold | V/PB/GLD | £6.00
Vinyl Silver | V/PB/SIL | £6.00

4 Artwork Options

(For full range see separate options sheet or contact us)



Tidyman Logo

Vinyl Gold | V/TM/GLD | £3.00
Vinyl Silver | V/TM/SIL | £3.00



Circular Litter & Dog Waste No Text
Sticker


Gold | VLDW/NT/C/GLD | £5.99
Silver | VLDW/NT/C/SIL | £5.99



Circular Litter & Dog Waste Sticker

Gold | VLDW/C/GLD | £5.99
Silver | VLDW/C/SIL | £5.99


How to Order your Artemis Wheelie Bin Cover



general waste

A3 General Waste Artwork


A3 Vinyl Sticker | VR/GW | £25.00
A3 Perspex Plates | PPR/GW | £40.00



food waste

A3 Food Waste Artwork


A3 Vinyl Sticker | VR/FW | £25.00
A3 Perspex Plates | PPR/FW | £40.00



mixed recycling

A3 Mixed Recycling Artwork


A3 Vinyl Sticker | VR/MR2 | 25.00
A3 Perspex Plates | PPR/MR2 | £40.00



mixed glass

A3 Mixed Glass Artwork

A3 Vinyl Sticker | VR/MG | £25.00
A3 Perspex Plates | PPR/MG | £40.00



cans & plastic bottles

A3 Cans & Plastic Bottles Artwork

A3 Vinyl Sticker | VR/CPB | £25.00
A3 Perspex Plates | PPR/CPB | £40.00



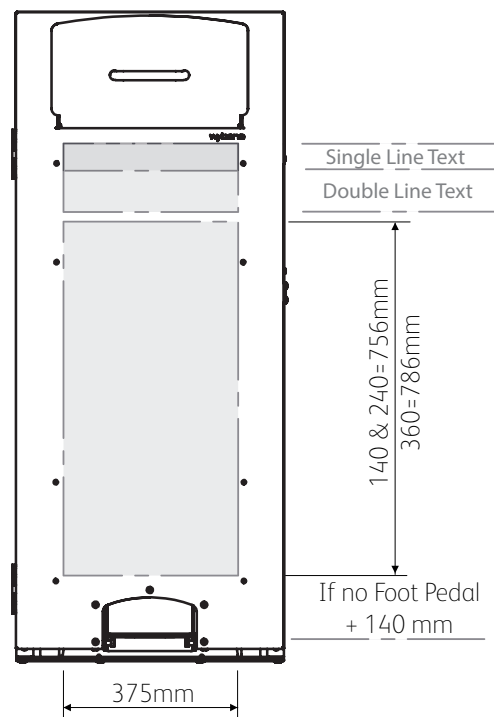
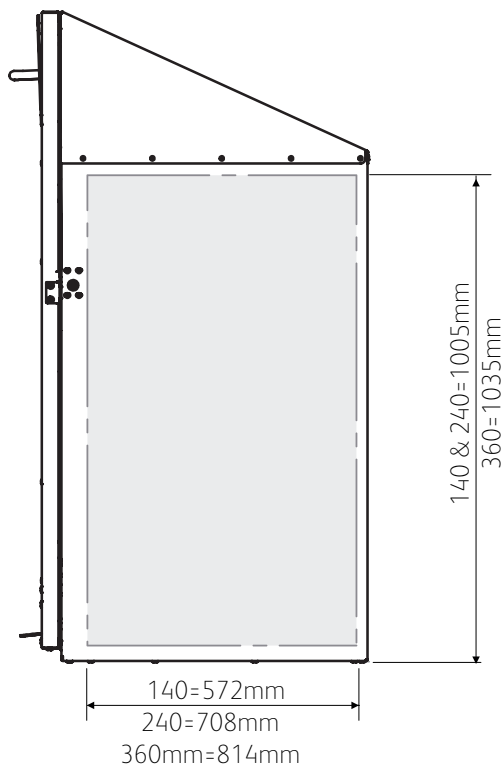
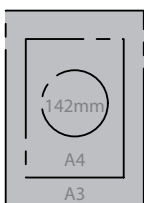
Customise with your
Logo/Artwork

Contact us directly for a quotation.

Call: 01226 744010
Email: hello@wybone.co.uk

Artemis Customisation Dimensions

Example standard artwork sizes



Use this page to plan your customisation options.

How to Order your Artemis Wheelie Bin Cover

5 Optional Extra




Foot Pedal
/FP | £49.99

Foot pedal to allow chute to be operated hands free.



Vinyl Banding
Gold | Band/GLD | £12.00 per band
Silver | Band/SIL | £12.00 per band

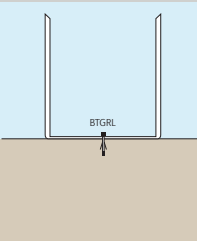
Vinyl banding around the circumference of the bin.



Clip Frame
A4 PF/CA4 | £16.99 each
A3 PF/CA3 | £21.99 each

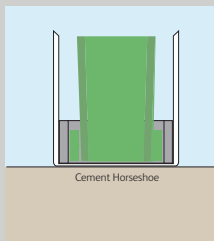
Advertising clip fram to the front of the bin with a polycarbonate pocket to protect artwork.

6 Fixing Options



RAWL Bolts
BTGRL25 | £17.99

Set of 4 bolts for ground fixing with a pre-drilled base. The ground is drilled in the same arrangement as the fixing holes in the base of the bin. Bolts are placed in position and tightened to secure in the ground.

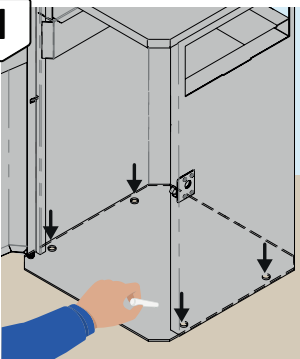


Internal Concrete Base
SLAB/F | POA

A cement horseshoe around the inside of the bin. This provides a concealed way to weigh the unit down and prevent it from being moved easily.

How to fit your Artemis Wheelie Bin Cover


1



Position the bin with the door facing in the correct direction on flat ground without obstruction.

Use chalk to mark through the fixing holes onto the ground below.

2

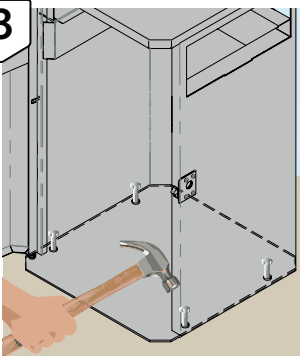


Remove the bin and mark the ground with a cross where the four hole positions are.

Drill 12mm holes in the 4 marked positions to a depth of 100mm or long enough to accommodate the bolt length.

Remove any debris from the holes.

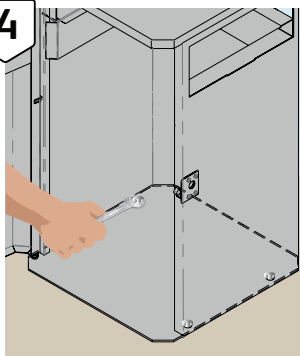
3



Position the bin over the 4 holes.

Fit bolts with washers into the holes and use a hammer / mallet to drive the bolts home.

4



Use a spanner or socket to tighten the bolts. Tightening the bolts will fan out the bolt sheath in the hole holding the bolt secure.

Replace the liner and shut the door.



Equipped with a no return chute hopper, the Artemis is an excellent option for collecting unsightly waste, such as food waste, compostable products, or even dog waste



The unit features a completely sloped top, with no flat areas, this reduces flyaway rubbish and encourages waste to be placed into the unit



We've used the latest manufacturing techniques and state of the art machinery to reduce emissions and produce a litter bin that offers a small carbon footprint and is as ecologically friendly as possible.



These wheelie bin covers are available in various capacities to fit from 120 litre wheelie bins to a sizeable 360 litres - ideal for light to heavy usage areas.



The handle is manufactured from stainless steel; an easy clean metal which does not support bacteria growth.



Our newly designed foot pedal operated chute is ideal for keeping contact to a minimum as there is no need for the public to have to touch it with their hands.