

wybone

MLB Eco Steel Litter Bin Range



wybone

The Wybone MLB Eco Litter Bin has been designed based on our flagship cut corner litter bin with the environment in mind. We have used the latest manufacturing techniques and state of the art machinery to reduce emissions and produce a litter bin that offers a small carbon footprint and is as ecologically friendly as possible. Available in a range of sizes suitable for a variety requirements from single slimline units to triple large capacity recycling bins.

- Pitched lid option to deter standing rain water or debris.
- Self locking slam lock door.
- Premium quality galvanised steel, electrostatically powder coated.
- Logos or branding can be laser cut to the bin or applied in vinyl.
- Fold down apertures act as deflectors and direct litter into the bin.
- Galvanised steel internal liner/s with handles.

Technical Information

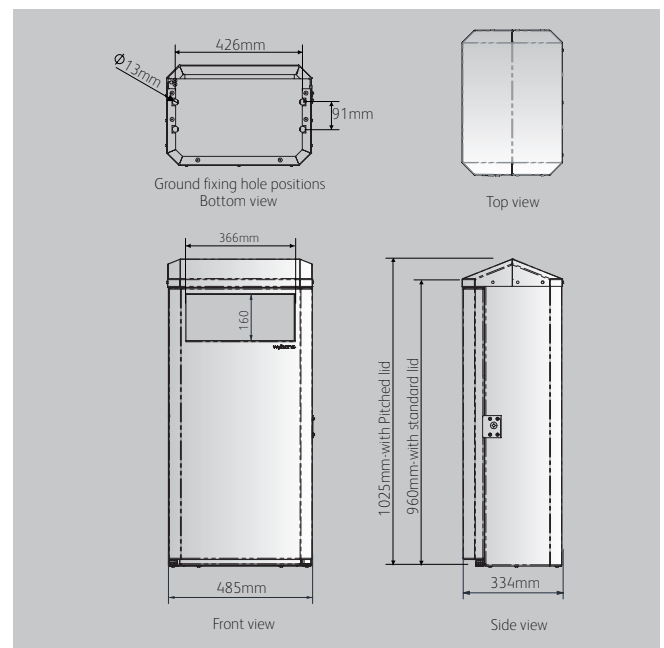
1YR PARTS & LABOUR GUARANTEE

All of our products come with a 1 year parts and labour guarantee as standard.

10YR ANTI-PERFORATION WARRANTY

Our Galvanised steel products feature a 10 year anti-perforation warranty as standard. This guarantees the surface of our products from rusting through completely.

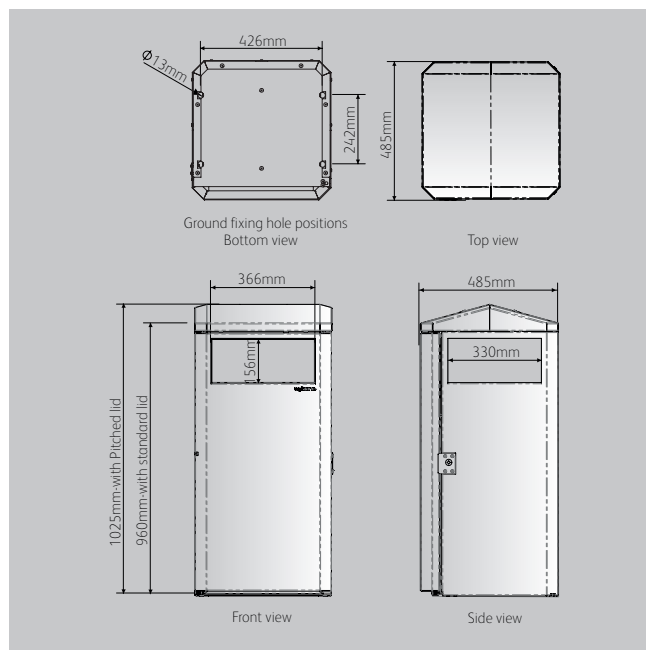
MLB/90/ECO - A single slimline unit perfect for areas where space is limited



The MLB/90 ECO Steel Litter Bin has two large apertures to the front and back as standard for convenient waste disposal. The 90 litre capacity makes the unit an ideal choice for councils and local authorities where space is at a premium. The slimline design allows the bin to be placed up against a wall or in an open area and with a depth of just 310mm, it has a small footprint.

For more information and to see the full range, visit wybone.co.uk

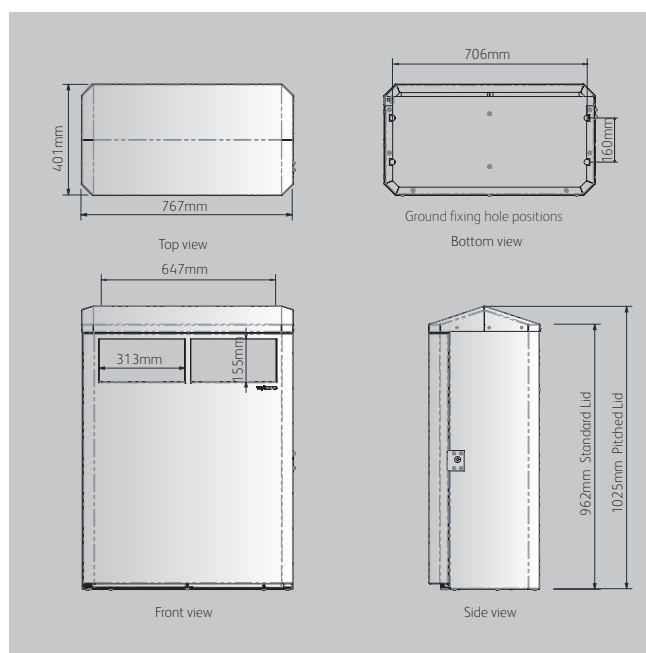
MLB/112/ECO - A single litter or recycling bin perfect for a wide range of areas



The MLB/112 ECO Steel Litter Bin is one of our most popular products with large apertures to all four sides as standard this maximises litter collection, with deflectors that ensure waste goes directly inside the internal liner.

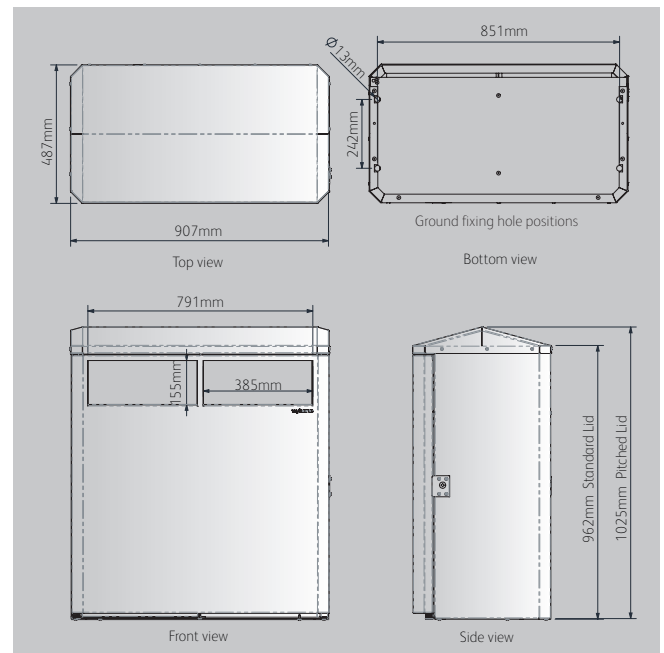
The larger capacity single unit means that this bin is the ideal choice for on-street collections but is also suitable for areas with a high footfall, including school grounds and public attractions.

MLB/160/ECO - A double slimline litter or recycling bin ideal for busy areas with limited space



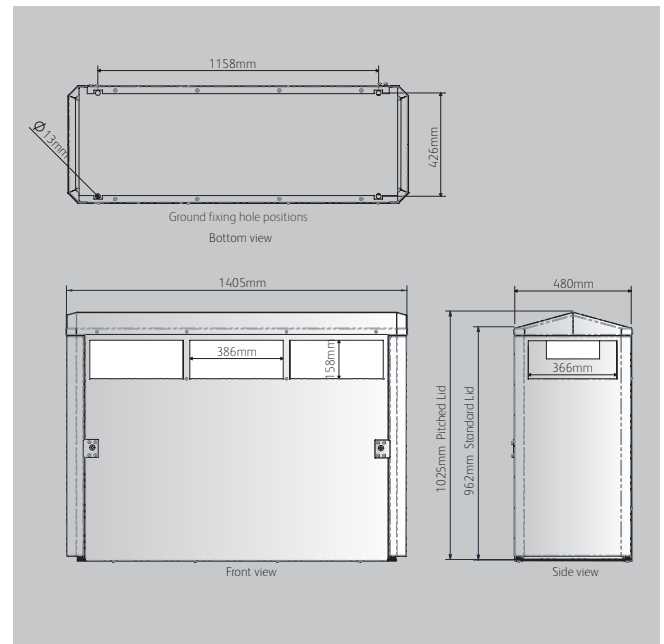
The MLB/160 ECO and 160R ECO Dual Recycling Bin is a larger capacity slimline unit. This is designed for high footfall areas where space is limited. The bin can either have 1 large aperture to front and back for collection of one waste stream or split apertures to collect two individual waste streams in one unit. Image shows a standard aperture (160) litter bin.

MLB/224/ECO - A double large capacity litter or recycling bin ideal for busy areas



The MLB/224 ECO and 224R ECO Dual Recycling Bin is a large capacity external recycling bin, designed to collect two separate waste streams. Available with a large wide aperture to the front and back or with split apertures maximises the 224 litre capacity, which is split into two 112 litre galvanised steel liners. The larger volume is perfect for busy areas where a more sizable capacity is needed. Image shows a split aperture(224R) litter and recycling bin.

MLB/336/ECO - A triple large capacity recycling bin ideal for busy areas



The MLB/336R Recycling Bin comes with three compartments for collecting multiple waste streams. Three apertures to the front and back, and one on each side maximises the large 336 litre capacity, which is separated by dividers into three 112 litre galvanised steel liners; this keeps the waste segregated to avoid cross contamination. The large volume is perfect for busy areas where a more sizable capacity is needed.

How to Order your MLB Eco Litter Bin

1 Size Options

90 Litres

112 Litres

160 Litres

224 Litres

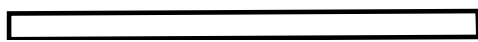
336 Litres

2 Colour Options

This product comes in black as standard, or you can choose any of the colours below:

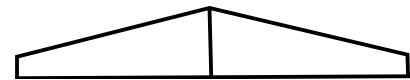
As Standard:	Additional Colour Options:								
									
Black RAL 9005	Silver PCM30001	Grey PC7016	Dark Blue PC5013	Light Blue PC18E53	Dark Green PC6028	Green PC6005	Yellow PC1021	Red PC3020	Orange PC2004

3 Lid Options



Standard Lid
LID/S | Inc. in price

This flat lid comes as standard and is included in the price.

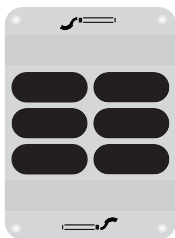


Pitched Lid
LID/P | £25.00

A high pitched lid discourages anti-social behaviour, stopping people from sitting on the bin or leaving rubbish on top.

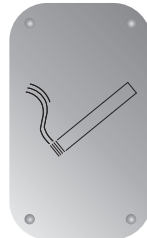
4 Smoking Options

Ashtrays and Stubber plates will be positioned centrally on single 90 or 112 units or positioned above the LITTER compartment on double or triple units unless otherwise stated in your order:



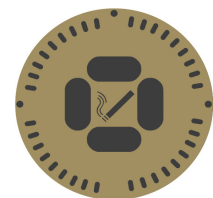
Pitched Ashtray
PITCH/AT | £79.00

Stainless steel self-emptying ashtray with stubber sections and large cigarette holes. A pendulum system ensures the contents empty into the liner when the ashtray is full. Fitted to the centre of the lid.



Stubber Plate
STUBBER/SS | £18.99

A stainless steel plate for stubbing out cigarettes and preventing unsightly marks on bins.



Retrofit Ashtray
RETRO/AT | £59.00

Circular galvanised steel ashtray available in gold or silver. Includes a counter-balance emptying system so no keys are required.

How to Order your MLB Eco Litter Bin

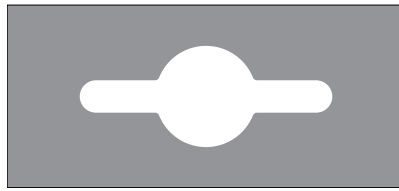
4

Aperture Options



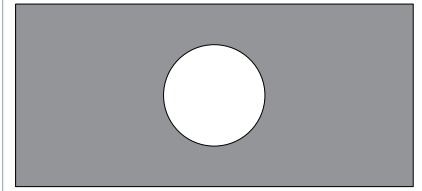
Standard Aperture
AP/ST

Used for litter or food waste



London Underground Aperture
AP/LU

Used for mixed recycling



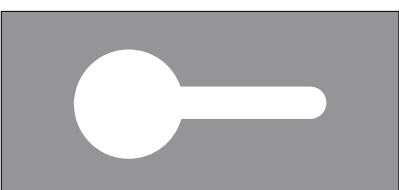
Circular Aperture
AP/C

Used for cans, plastic or glass bottles



Slot Aperture
AP/SL

Used for paper and card



Keyhole Aperture
AP/K

Used for mixed recycling

Single units can have 1 aperture option

Double units can have 1 large standard aperture to front and back or can have 2 aperture options for different waste streams

Triple units can have 3 aperture options

5

Text Options

(For additional options please see separate options sheet or contact us)

LITTER

Laser Cut Gold | LC/LIT/GLD | £0.00
Laser Cut Silver | LC/LIT/SIL | £0.00

Vinyl Gold | V/LITT/GLD | £0.00
Vinyl Silver | V/LITT/SIL | £0.00

LITTER & DOG WASTE

Laser Cut Gold | LC/LDW/GLD | £10.00
Laser Cut Silver | LC/LDW/SIL | £10.00

Vinyl Gold | V/LDW/GLD | £6.00
Vinyl Silver | V/LDW/SIL | £6.00

RECYCLING

Laser Cut Gold | LC/REC/GLD | £10.00
Laser Cut Silver | LC/REC/SIL | £10.00

Vinyl Gold | V/REC/GLD | £6.00
Vinyl Silver | V/REC/SIL | £6.00

6

Artwork Options

(For additional options please see separate options sheet or contact us)



Tidyman Logo

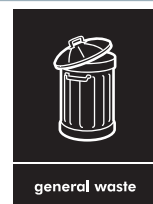
Laser Cut Gold | LC/TM/GLD | £10.00
Laser Cut Silver | LC/TM/SIL | £10.00

Vinyl Gold | V/TM/GLD | £6.00
Vinyl Silver | V/TM/SIL | £6.00



A4 Mixed Recycling Artwork

A4 Vinyl Sticker | VR/MR2 | £15.00
A4 Perspex Plates | PPR/MR2 | £30.00



A4 General Waste Artwork

A4 Vinyl Sticker | VR/GW | £15.00
A4 Perspex Plates | PPR/GW | £30.00

Use this page to plan your customisation options.

How to Order your MLB Eco Litter Bin



Circular Litter & Dog Waste No Text Sticker

Gold | VLDW/NT/C/GLD | £9.99
Silver | VLDW/NT/C/SIL | £9.99



Circular Litter & Dog Waste Sticker

Gold | VLDW/C/GLD | £9.99
Silver | VLDW/C/SIL | £9.99



Contact us directly for a quotation.

Call: 01226 744010
Email: hello@wybone.co.uk

7

Optional Extra



Vinyl Banding
Gold | Band/GLD | £12.00 per band
Silver | Band/SIL | £12.00 per band

Vinyl banding around the circumference of the bin.

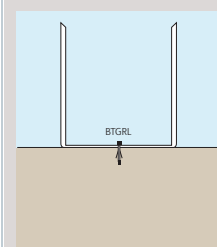


Advertising Frame
A4 PF/CA4 | £24.99 each
A3 PF/CA3 | £29.99 each

Advertising frames can be fitted to the sides of your bin for interchangeable artwork.

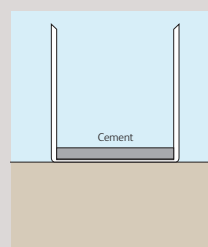
8

Fixing Options



RAWL Bolts
BTGRL25 | £17.99

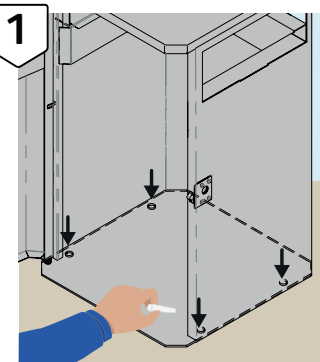
Set of 4 bolts for ground fixing with a pre-drilled base. The ground is drilled in the same arrangement as the fixing holes in the base of the bin. Bolts are placed in position and tightened to secure in the ground.



Internal Concrete Base
SLAB/F | POA

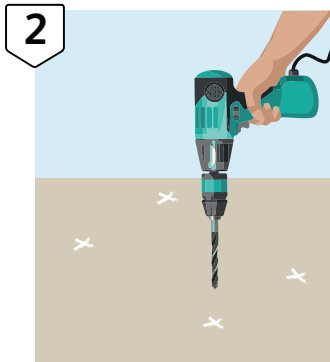
A concrete slab fitted to the inside of the bin. This provides a concealed way to weigh the unit down and prevent it from being moved easily.

How to fit your MLB Eco



1 Position the bin with the door facing in the correct direction on flat ground without obstruction.

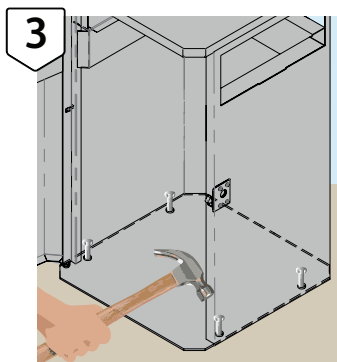
Use chalk to mark through the fixing holes onto the ground below.



2 Remove the bin and mark the ground with a cross where the four hole positions are.

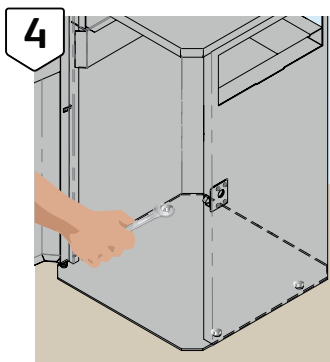
Drill 12mm holes in the 4 marked positions to a depth of 100mm or long enough to accommodate the bolt length.

Remove any debris from the holes.



3 Position the bin over the 4 holes.

Fit bolts with washers into the holes and use a hammer / mallet to drive the bolts home.



4 Use a spanner or socket to tighten the bolts. Tightening the bolts will fan out the bolt sheath in the hole holding the bolt secure.

Replace the liner and shut the door.

Take a look at our other products at www.wybone.co.uk



The MLB Eco has been designed using a streamlined manufacturing process to reduce welding and be kinder to the environment.



Manufactured using premium quality galvanised steel, primed and powder coated for maximum corrosion resistance, finished in black as standard.



The internal galvanised steel liner has two handles to the exterior to make removal and emptying an easier task for operatives.



The MLB Eco comes with a flat lid as standard or choose our pitched lid to prevent rubbish being left on the top, with an optional pitched ashtray.



We've used the latest manufacturing techniques and state of the art machinery to reduce emissions and produce a litter bin that offers a small carbon footprint and is as ecologically friendly as possible.