

wybone

# RLA Timber Fronted Litter Bin Range





The RLA is a timber fronted litter bin, available in multiple sizes making it ideal for collecting various waste streams in one unit. Manufactured from a combination of durable glass fibre composite and wood cladding, this bin is ideal for use in parks and playgrounds.

# Technical Information

- Timber fronted slats to suit parks & open spaces.
- Robust Glass Fibre Composite surround, available in our standard BS Colours
- Single lockable swivel aperture plate to keep liners secure.
- Colour coded WRAP standard artwork for perspex aperture plates help with waste segregation.
- Timber fronted galvanised steel internal liners.
- Ashtrays, pest control and other additional options available.

**1YR PARTS & LABOUR GUARANTEE**

All of our products come with a 1 year parts and labour guarantee as standard.

## Construction

Glass Fibre offers outstanding corrosion resistance and substantial fire protection to class 'O' building regulations. 14mm high impact strength glass fibre composite construction using 'class O' fire retardant resin.

20mm base with 4 x countersunk M12 ground fixing holes and drainage holes

Hinged, lockable front panel fixes timber fronted liner in place

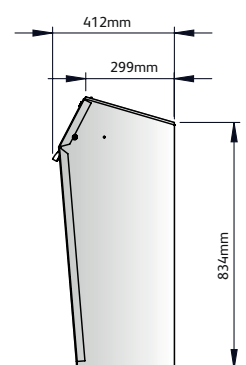
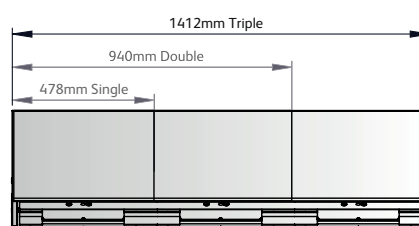
Timber cladding available in Shiplap weather board or recycled plastic

## Surface Finish

Wet painted pseudo cast iron finish available in either smooth or textured finish

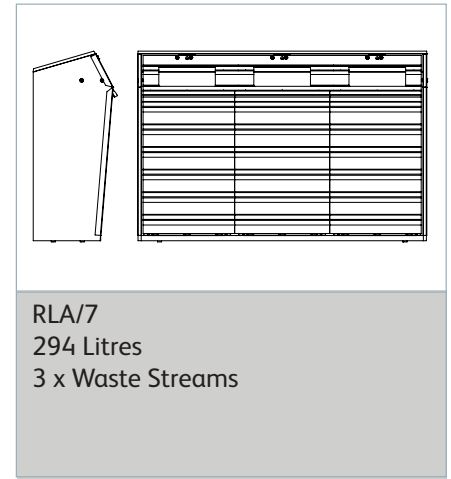
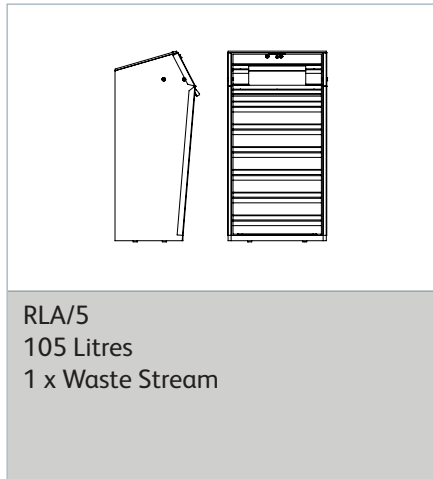
## Standard Features

Budget Lock



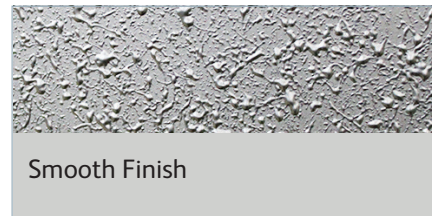
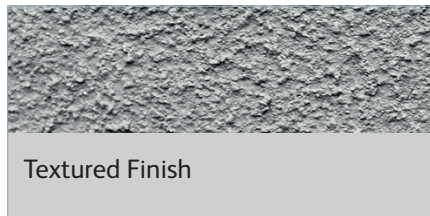
# How to Order your RLA Litter & Recycling Bin

## 1 Size Options



## 2 Finish Options

The GFC surround can be painted in either a smooth or textured finish.



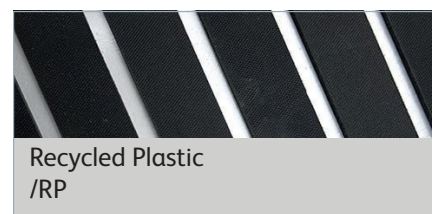
## 3 Colour Options

This product comes in british racing green as standard, or you can choose any of the colours below, if you want a textured finish, simply use WPT instead of WP:

|  |   |  |   |   |  |  |
|--|---|--|---|---|--|--|
| As Standard:<br><br>Dark Green<br>*WP BRG | Additional Colour Options:<br><br>Black<br>WP 9005 | <br>Dark Grey<br>WP 00 A 13 | <br>Light Grey<br>WP 112 | <br>Dark Blue<br>WP 20 C 40 | <br>Light Green<br>WP 124 | *Textured Finish Uses Different Code<br><br>Dark Green<br>WPT 14 C 39 |
|--|---|--|---|---|--|--|


## 4 Slat Finish & Colour

The slats to the front can come in light, clear or dark stain, alternatively you can choose recycled plastic slats

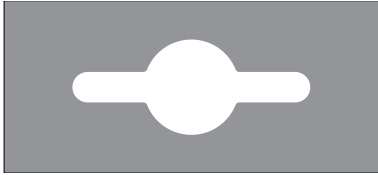


# How to Order your RLA Litter & Recycling Bin

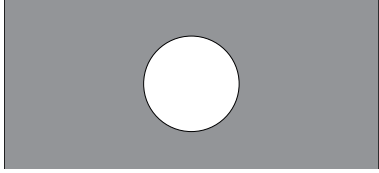
## 5 Aperture Options




**Standard Aperture**  
AP/ST  
282mm x 110mm  
Standard rectangular aperture used for collection of general waste.



**Mixed Recycling Aperture**  
AP/LU  
272mm x 55mm Slot | 110mm Circle  
London Underground aperture used for collection of mixed recycling.




**Circular Aperture**  
AP/C  
110mm diameter  
Circular aperture used for collection of cans and plastic bottles.



**Slot Aperture**  
AP/SL  
272mm x 55mm  
Slot aperture used for the collection of paper and card.

## 6 Artwork Options

(for additional options please see options sheet or contact us)



**Standard Tidyman | Included**  
A Tidyman moulded plate is included on the bin as standard.

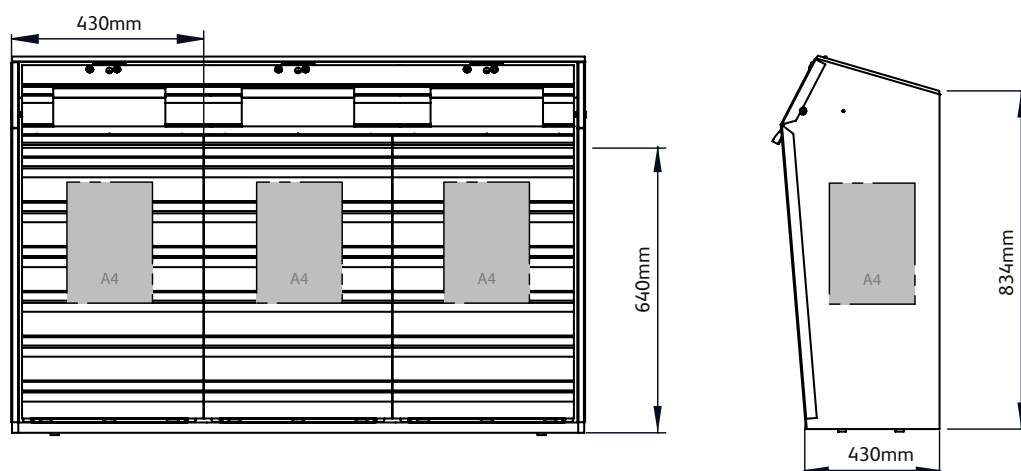


**A4 Perspex Plate | £30.00**  
Any standard waste stream perspex plate can be affixed to the front of the unit.



**Customise with your Logo/Artwork**  
Contact us directly for a quotation.  
Call: 01226 744010  
Email: [hello@wybone.co.uk](mailto:hello@wybone.co.uk)

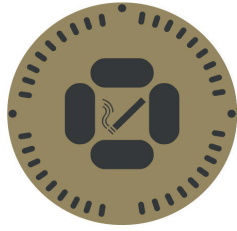
## Customisation Dimensions



Use this page to plan your customisation options.

# How to Order your RLA Litter & Recycling Bin

## 7 Additional Options



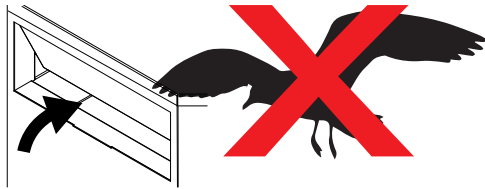
Easyfit Ashtray | £59.00

A round ashtray can be fitted to the top of the unit in either gold or silver.



Rat Modification | £44.99

A rat mod can be fitted to the unit to assist with pest control.



Aperture Flaps | £20.49 (Per Flap)

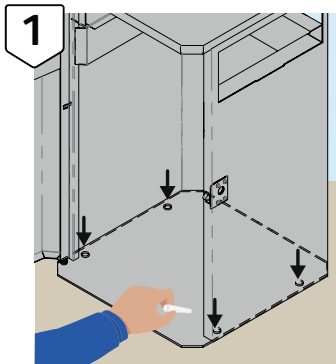
Galvanised steel flaps can be fitted to the apertures to keep odours in & pests out.



Waste Stream Divider | £40.00 (Per Divider)

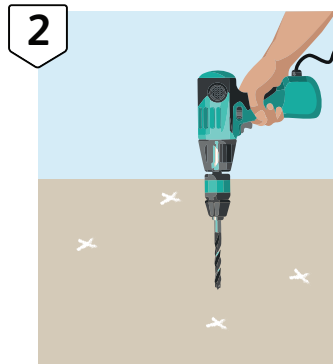
Dividers can be manufactured into the unit to separate the emptying of each waste stream.

## How to fit your RLA Litter & Recycling Bin



**1** Position the bin with the door facing in the correct direction on flat ground without obstruction.

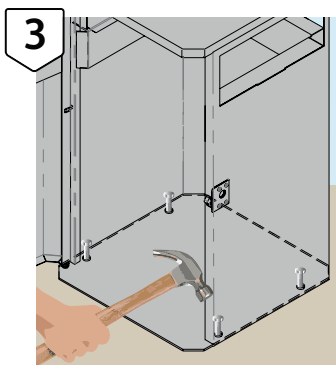
Use chalk to mark through the fixing holes onto the ground below.



**2** Remove the bin and mark the ground with a cross where the four hole positions are.

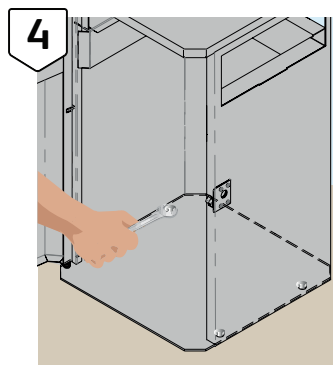
Drill 12mm holes in the 4 marked positions to a depth of 100mm or long enough to accommodate the bolt length.

Remove any debris from the holes.



**3** Position the bin over the 4 holes.

Fit bolts with washers into the holes and use a hammer / mallet to drive the bolts home.



**4** Use a spanner or socket to tighten the bolts. Tightening the bolts will fan out the bolt sheath in the hole holding the bolt secure.

Replace the liner and shut the door.



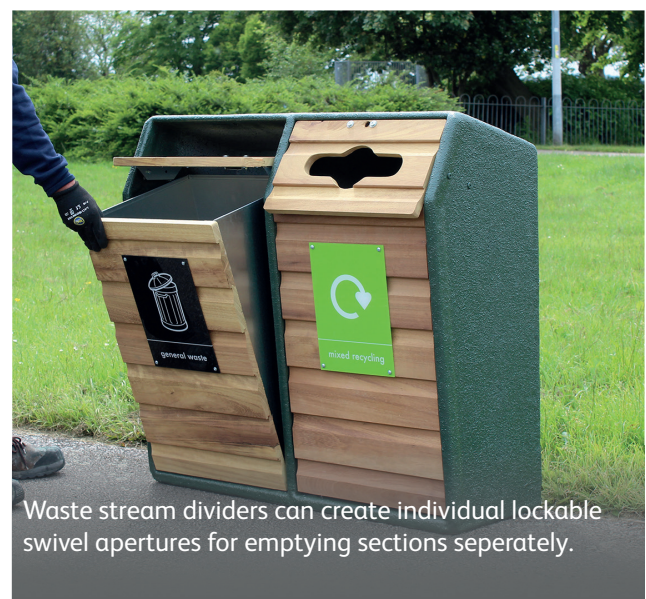
Iroko timber fronted slats to suit parks & open spaces, with ashtrays, pest control and other additional options available.



Robust Glass Fibre Composite surround, available in our standard BS Colours.



Perspex plates can be added to the front of the units to easily signify what waste can be collected.



Waste stream dividers can create individual lockable swivel apertures for emptying sections separately.



A range of litter and recycling apertures are available to aid with waste segregation. Standard aperture for general waste, London underground for mixed recycling, Circular for cans/glass/bottles or Slot for mixed paper & card.