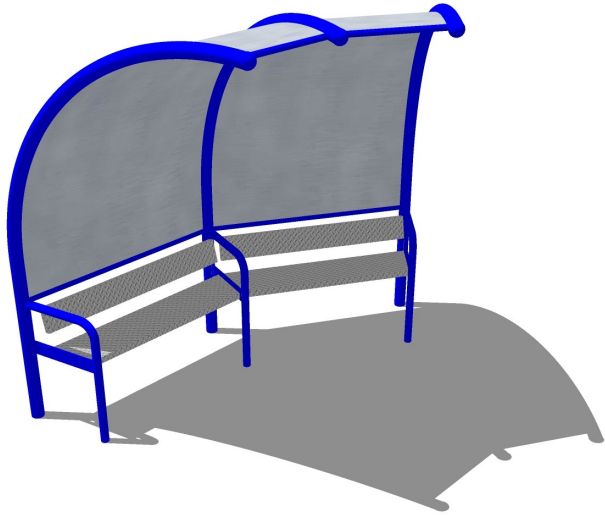
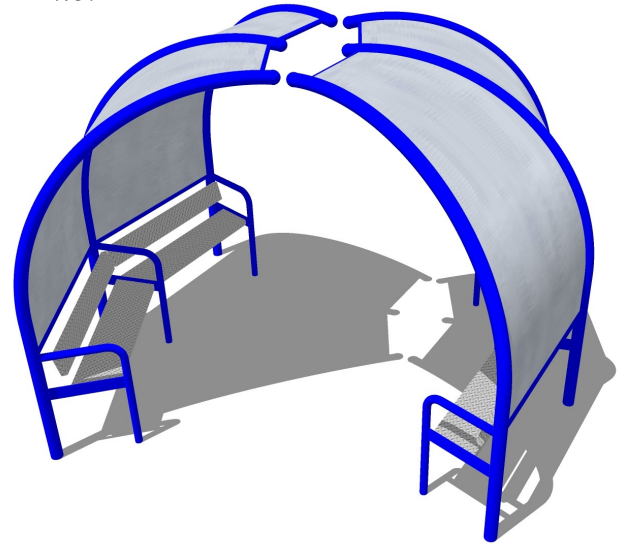


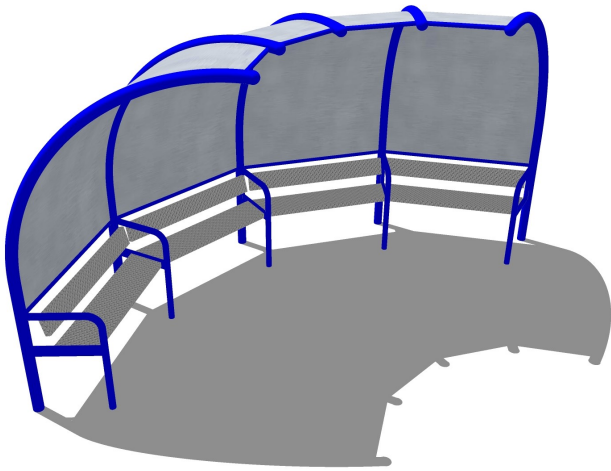
Our modular shelters are a great place to hangout, undercover from the Great British weather! A single section comprises of 3 legs with two seating sections, each of which can seat 4 adults. Numerous sections can be arranged together to suit the location, as shown in the examples below. Manufactured from heavy duty powder coated steel with galvanised side/roof panels. And available in the colours of your choice.



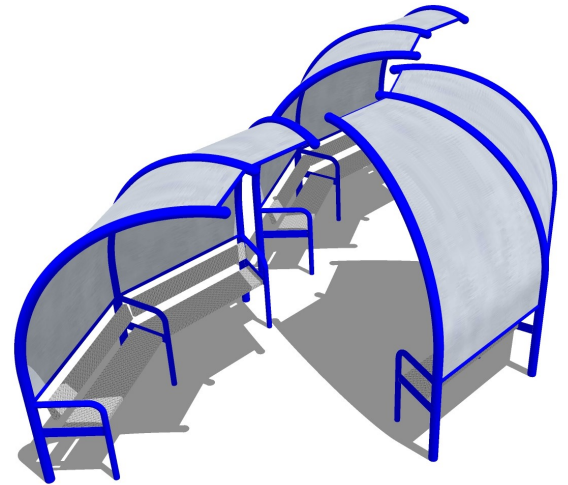
Single section, seats 4. H 2.3m x D 1.5m x W 2.7m



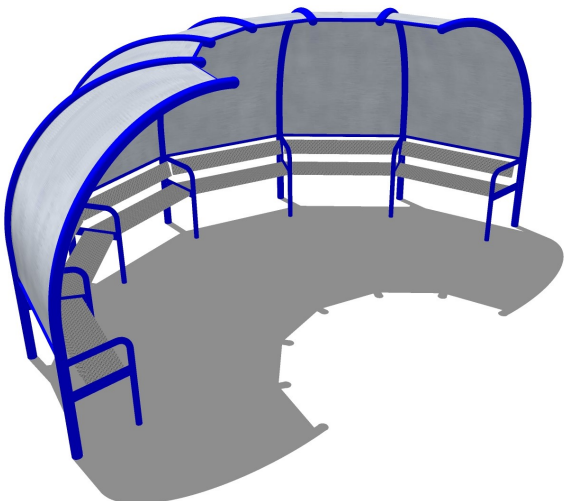
Two sections, seats 8. H 2.3m x D 2.6 m x W 3.6 m



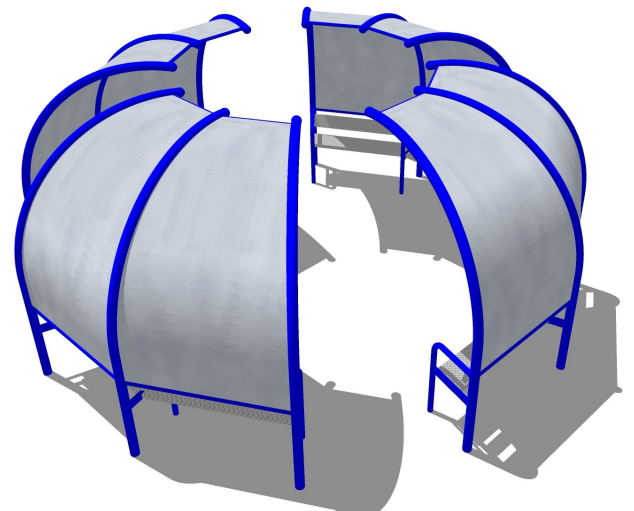
Two sections, seats 8. H 2.3m x D 2.0m x W 4.6m



Three sections, seats 12. H 2.3m x D 3.2m x W 5.7m



Three sections, seats 12. H 2.3m x D 2.7m x W 5.3m



Four sections, seats 16. H 2.3m x D 5.3m x W 5.3m