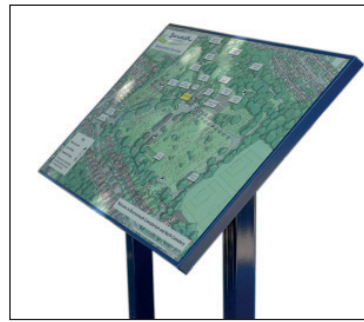




Steel GRP Info Panels



DECEMBER 2020

These information and interpretation panels use durable steel and glass-reinforced plastic in their construction and suitable for use in the most testing of environments. They employ construction techniques which have already stood the test of time and, because the graphic elements are embedded between layers of fibreglass, they are particularly resistant to surface damage such as scratching, graffiti and cigarette burns.

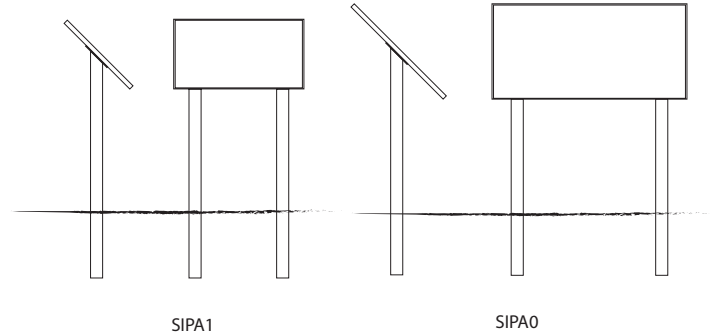
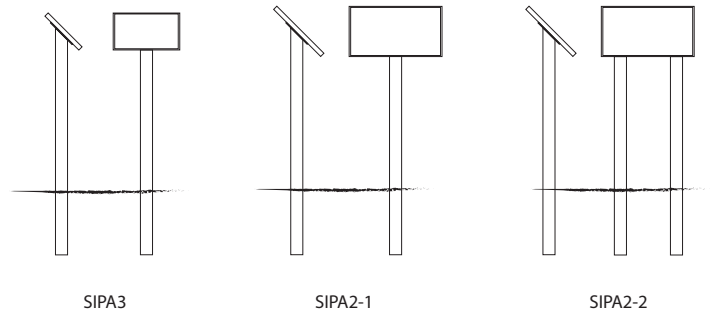
Equally at home in urban, rural or coastal locations and coming with a 10 year guarantee against fading when used under normal external light and weather conditions, these panels are the ideal choice for a wide range of applications including parks, public spaces, nature reserves and heritage sites.

Standard Specifications

Available sizes	A3, A2, A1 & A0	✓
Configuration	Landscape format panel mounted on lectern legs.	✓
Panel	30mm deep g.r.p. panel with embedded, full-colour digital print below surface and integral anchors for mounting to legs.	✓
Lectern legs	80 x 80mm, zinc-plated, mild steel section, 1500mm long, with 6mm mild steel plate welded at 45° for fixing to panel. Powder-coated finish.	✓
Warranty	10 years	✓

Options

Alternative leg profile	80mm diameter, zinc-plated, mild steel section, 1500mm long, with 6mm mild steel plate welded at 45° for fixing to panel. Powder-coated finish. Available to special order.	✓
Alternative leg material	80 x 80mm or 80mm diameter, grade 304 stainless steel section, 1500mm long, with 6mm mild steel plate welded at 45° for fixing to panel. Powder-coated finish. Available to special order.	✓

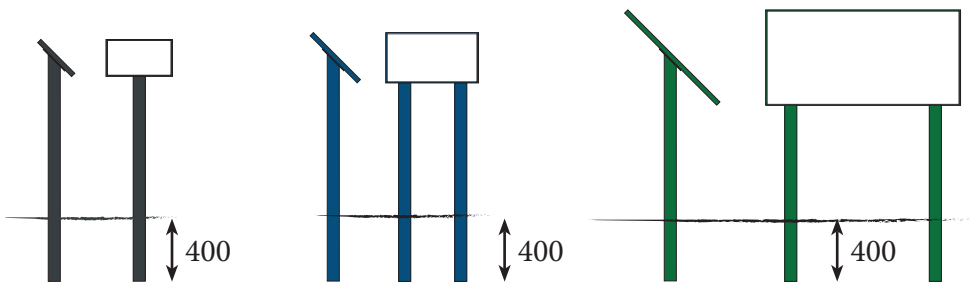


Sizes

Model	SIPA3	SIPA2	SIPA1	SIPA0
Minimum depth in ground (mm)	400	400	400	400

Model	SIPA3		SIPA2		SIPA1		SIPA0	
	w	h	w	h	w	h	w	h
Visible size of graphic panel	420	297	594	420	841	594	1189	841
Overall size of panel	440	317	614	440	861	614	1209	861

Installation Instructions



- 1: Assemble the lectern legs to the panel using the fixings provided.
- 2: Concrete the legs into the ground to the depth specified in the table above.

Contact Greenbarnes now on 01280 701093, visit our website at www.greenbarnes.co.uk or email sales@greenbarnes.co.uk