



**ROTARY
CYLINDER**

▶ P.55~P.65

Cylinder

Cylinder

Cylinder Series exclusive for KITAGAWA Chucks

From standard to advanced type, a recognised line-up of high performance cylinders accommodates every KITAGAWA chuck.

When selecting the combination of chuck cylinders, contact us.



**ROTARY
CYLINDER**

Compact Style Hydraulic Cylinder with Open Centre SS series

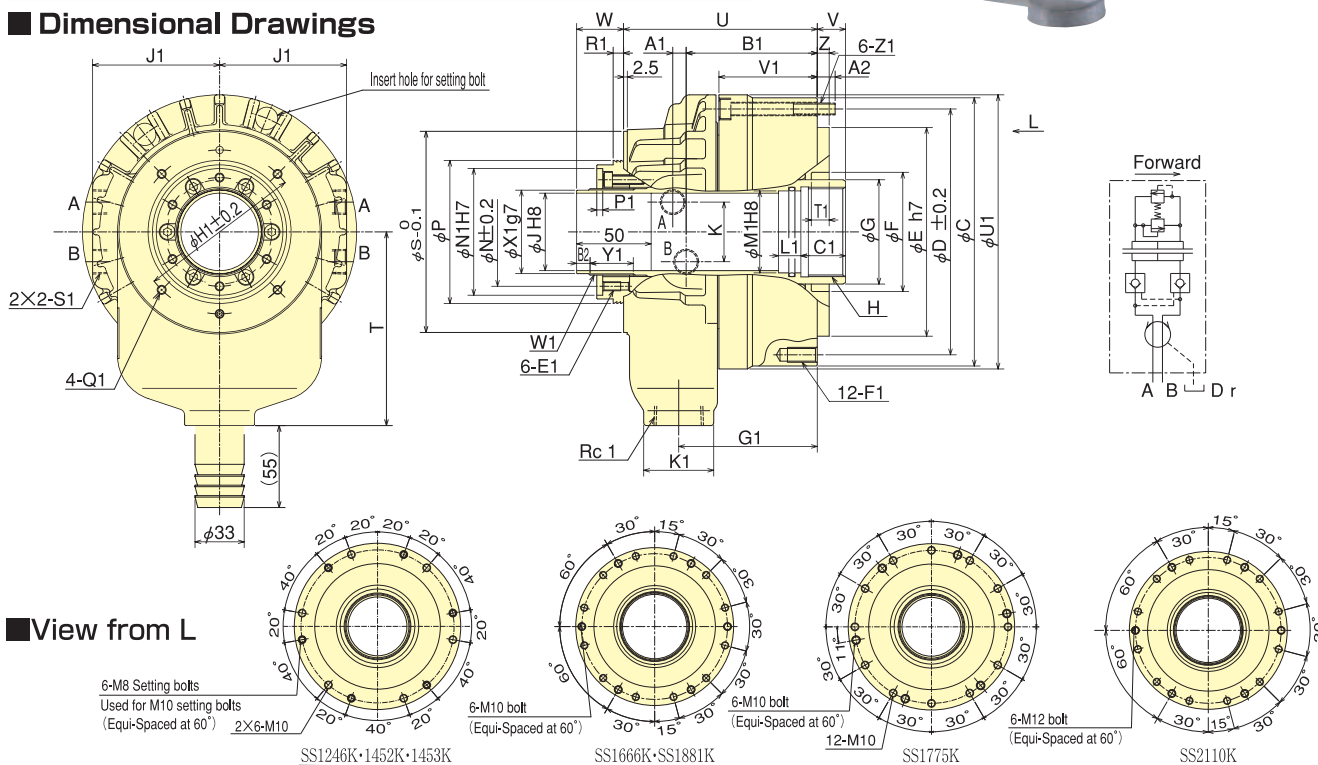
Accommodates BB200 and B-200 series
The compact design maximises Lathe performance

- Compact : 30% reduction in length of current S series
- Speed Increased
- Can operate one size larger chuck due to increased pull forces

* CE correspondence (Only series with checking device)



Dimensional Drawings



Dimensions

Model	C	D	E	F	G	H	J	K	N	P	S	T	U	V max.	V min.	W max.	W min.	Z	A1	B1	C1
SS1246K	162	147	130	75	65	M55×2	46	40	64	85	116	120	120	13	-3	45.0	29.0	8	8.5	79.5	25
SS1452K	180	165	140	80	70	M60×2	52	40	73	96	135	130	130	19	-3	53.5	31.5	8	9.0	88.0	30
SS1453K	180	165	140	80	70	M60×2	53	40	73	96	135	130	130	19	-3	53.5	31.5	8	9.0	88.0	30
SS1666K	207	190	168	95	85	M75×2	66	48	88	111	154	150	150	22	-3	58.0	33.0	8	13.0	99.5	35
SS1775K	212	195	160	105	95	M85×2	75	46	98	121	164	160	157	22	-3	57.0	32.0	8	17.5	99.0	35
SS1881K	222	205	168	110	100	M90×2	81	46	103	126	175	175	167	23	-2	58.0	33.0	8	17.0	106.0	35
SS2110K	260	240	200	135	125	M115×2	106	46	133	160	210	200	192	27	-3	64.0	34.0	8	20.0	120.5	35

Model	E1depth	F1depth	G1	H1	J1	K1	L1	M1	N1	P1	Q1depth	R1	S1	T1	U1	V1	W1	X1	Y1	Z1	A2	B2
SS1246K	M6×10	M10×20	84	98	76	47	15	50	76	4	M5×6	6.5	Rc ³ / ₈	12	165	57.5	M52×1.5	50.0	29	M8	15	9
SS1452K	M6×12	M10×20	93	110	86	47	15	55	85	4	M6×6	7.0	Rc ³ / ₈	12	184	66.0	M58×1.5	56.0	30	M8	12	8
SS1453K	M6×12	M10×20	93	110	86	47	15	55	85	4	M6×6	7.0	Rc ³ / ₈	12	184	66.0	M58×1.5	56.0	30	M8	12	8
SS1666K	M6×12	M12×24	108	145	97	47	15	70	100	4	M6×10	16.5	Rc ¹ / ₂	12	211	71.0	M74×1.5	71.5	36	M10	18	9
SS1775K	M6×12	M10×20	110	155	100	47	15	80	108	4	M6×10	14.0	Rc ¹ / ₂	12	216	71.0	M84×2.0	81.0	33	M10	18	9
SS1881K	M6×12	M12×24	115	166	105	47	15	85	113	4	M6×10	16.5	Rc ¹ / ₂	12	226	71.0	M89×2.0	86.0	38	M10	19	9
SS2110K	M6×12	M12×24	130	201	124	47	15	110	145	4	M6×10	16.0	Rc ¹ / ₂	12	263	79.5	M118×2.0	115.0	45	M12	18	9

Specifications

Model	Piston Dia. mm	Piston stroke mm	Piston Area		Draw bar		Max. Operation Pressure MPa (kgf/cm ²)	Max. Speed min ⁻¹	Moment of inertia kg·m ²	Net Weight kg	Total leakage ℓ/min
			Push Side cm ²	Pull Side cm ²	Push Side kN(kgf)	Pull Side kN(kgf)					
SS1246K	128	16	102.6	91.5	43.6(4446)	38.9(3967)	4.50(45.9)	8000	0.017	8.0	3.0
SS1452K	145	22	132.9	122.6	56.5(5761)	52.1(5313)	4.50(45.9)	6500	0.031	13.0	3.9
SS1453K	145	22	132.9	122.6	56.5(5761)	52.1(5313)	4.50(45.9)	6500	0.031	13.0	3.9
SS1666K	165	25	166.1	152.9	70.6(7199)	65.0(6628)	4.50(45.9)	5600	0.065	19.0	4.0
SS1775K	170	25	166.4	152.2	70.7(7209)	64.6(6587)	4.50(45.9)	5500	0.061	18.5	4.2
SS1881K	180	25	187.1	172.0	79.5(8107)	73.1(7454)	4.50(45.9)	4800	0.087	24.0	4.3
SS2110K	210	30	229.8	218.5	74.7(7617)	71.0(7240)	3.50(35.7)	3500	0.197	37.0	6.0



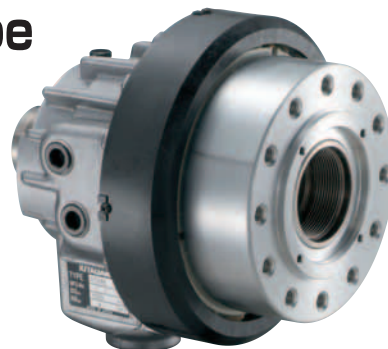
ROTARY CYLINDER

Large Thru-Hole High Speed Hydraulic Cylinder with Open Centre

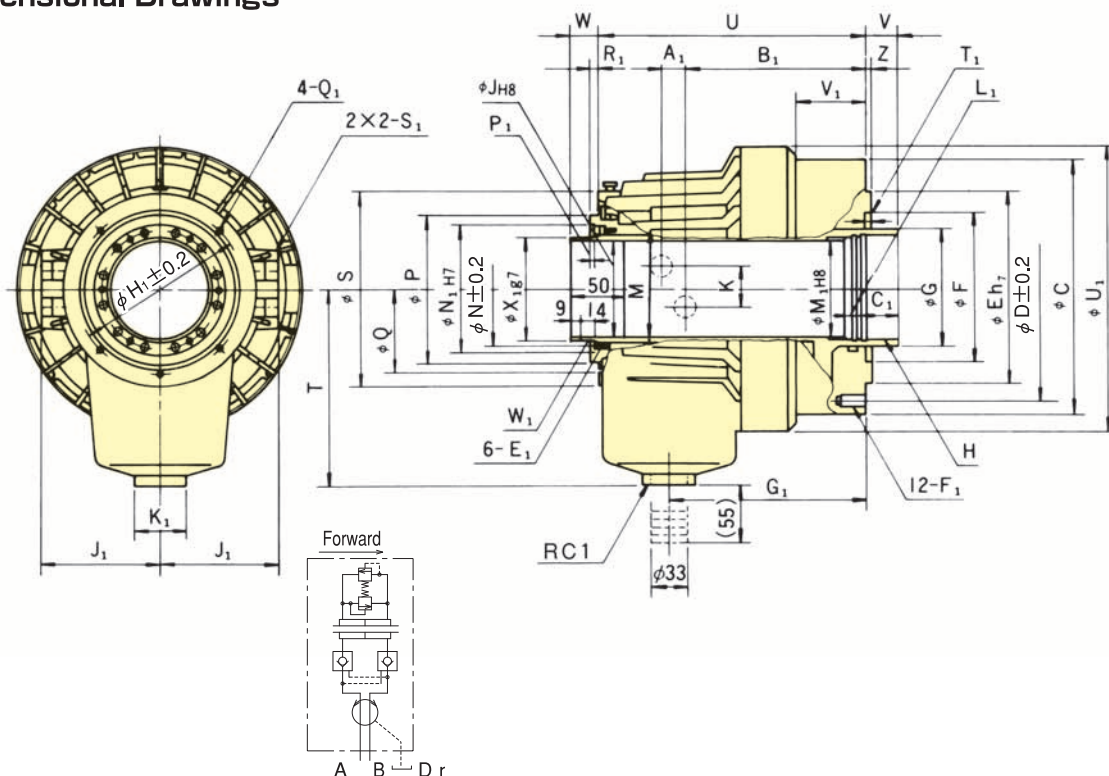
S series

KITAGAWA standard thru-hole type

- Compact and light weight
- Built-in check valve and relief valve
- * CE correspondence (Only series with checking device)



Dimensional Drawings



Dimensions

Model	C	D	E	F	G	H	J Thru-hole	K	M	N	P	Q	S	T	U	V max.	V min.	W max.	W min.	Z	A ₁
S1246	155	130	100	80	65	M 55×2.0	46	36	52.9	64	85	51.5	118	115	179	15	0	40	25	5	11.5
S1552	190	170	130	85	70	M 60×2.0	52	36	59.6	73	96	57.5	137	130	191	22	0	47	25	5	12
S1875	215	190	160	120	95	M 85×2.0	75	36	84.6	98	121	70.5	166	160	225	25	0	50	25	5	17.5
S2091	240	215	180	140	110	M100×2.0	91	34	99.6	108	138	79	182	185	248	30	0	55	25	5	21

Model	B ₁	C ₁	E ₁ depth	F ₁ depth	G ₁	H ₁	J ₁	K ₁	L ₁	M ₁	N ₁	P ₁	Q ₁ depth	R ₁	S ₁	T ₁	U ₁	V ₁	W ₁	X ₁
S1246	126.5	30	M6×9	M10×20	135	98	76	47	15	50	76	4	M5×10	6	RC1/2	6	200	46	M52×1.5	50
S1552	136	30	M6×9	M10×20	145	110	86	47	15	55	85	4	M6×12	7	RC1/2	6	220	51	M58×1.5	56
S1875	153.5	35	M6×9	M10×20	166.5	155	101	47	15	80	108	4	M6×12	7	RC1/2	6	242	58	M84×2.0	81
S2091	168	35	M6×14	M12×24	183	165	110	47	15	95	120	4	M6×12	7	RC1/2	6	267	66	M99×2.0	96

Specifications

*Total leakage : Pressure 3.00MPa (30.6kgf/cm²) and oil temperature 50°C. *Draw bar pull force : Pressure 4.00MPa (40.8kgf/cm²)

Model	Piston Dia. mm	Piston stroke mm	Piston Area		Draw bar		Max. Operation Pressure MPa (kgf/cm ²)	Max. Speed min ⁻¹	Moment of inertia kg·m ²	Net Weight kg	Total leakage ℓ /min
			Push Side cm ²	Pull Side cm ²	Push Side kN(kgf)	Pull Side kN(kgf)					
S1246	125	15	100	89	38.0 (3875)	33.0 (3365)	4.00 (40.8)	7000	0.019	12.0	3.0
S1552	155	22	161	150	60.0 (6118)	56.0 (5710)	4.00 (40.8)	6200	0.053	16.8	3.9
S1875	180	25	198	183	74.0 (7546)	69.0 (7036)	4.00 (40.8)	4700	0.095	26.0	4.2
S2091	205	30	252	234	94.0 (9585)	88.0 (8973)	4.00 (40.8)	3800	0.153	33.0	4.5

Cylinder



**ROTARY
CYLINDER**

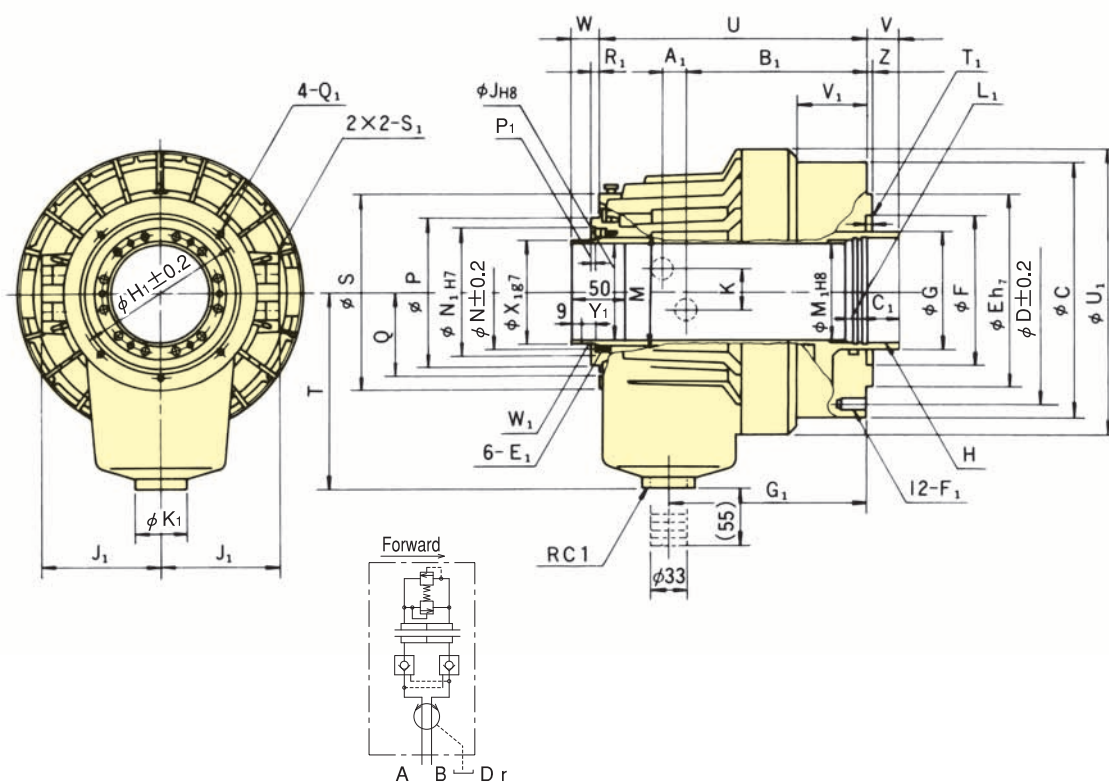
Large Thru-Hole High Speed Hydraulic Cylinder with Open Centre S-L series

KITAGAWA standard thru-hole type

- Long piston stroke
- Built-in check valve and relief valve
- * CE correspondence (Only series with checking device)



Dimensional Drawings



Dimensions

Dimensions Model	C	D	E	F	G	H	J Thru-hole	K	M	N	P	Q	S	T	U	V max.	V min.	W max.	W min.	Z	A ₁
S1246L	155	130	100	80	65	M55×2.0	46	36	52.9	64	85	51.5	118	115	200	27	-5	57	25	5	11.5
S1552L	190	170	130	85	70	M60×2.0	52	36	59.6	73	96	57.5	137	130	208	29	-5	59	25	5	12
S1875L	215	190	160	120	95	M85×2.0	75	36	84.6	98	121	70.5	166	160	241	35	-5	65	25	5	17.5
S2091L	240	215	180	140	110	M100×2.0	91	34	99.6	108	138	79	182	185	268	45	-5	75	25	5	21

Dimensions Model	B ₁	C ₁	Eidepth	Fidepth	G ₁	H ₁	J ₁	K ₁	L ₁	M ₁	N ₁	P ₁	Qidepth	R ₁	S ₁	T ₁	U ₁	V ₁	W ₁	X ₁	Y ₁
S1246L	147.5	30	M6×9	M10×20	156	98	76	47	15	50	76	4	M5×10	6	RC1/2	12	200	67	M52×1.5	50	33
S1552L	153	30	M6×9	M10×20	162	110	86	47	15	55	85	4	M6×12	7	RC1/2	12	220	68	M58×1.5	56	33
S1875L	169.5	35	M6×9	M10×20	182.5	155	101	47	15	80	108	4	M6×12	7	RC1/2	12	242	74	M84×2.0	81	33
S2091L	188	35	M6×14	M12×24	203	165	110	47	15	95	120	4	M6×12	7	RC1/2	12	267	86	M99×2.0	96	38

Specifications *Total leakage : Pressure 3.00MPa (30.6kgf/cm²) and oil temperature 50°C. *Draw bar pull force : Pressure 4.00MPa (40.8kgf/cm²)

Specifications Model	Piston Dia. mm	Piston stroke mm	Piston Area		Draw bar		Max. Operation Pressure	Max. Speed	Moment of inertia	Net Weight	Total leakage
			Push Side cm ²	Pull Side cm ²	Push Side kN(kgf)	Pull Side kN(kgf)	MPa (kgf/cm ²)	min ⁻¹	kg·m ²	kg	ℓ /min
S1246L	125	32	100	89	38.0 (3875)	33.0 (3365)	4.00 (40.8)	7000	0.022	12.8	3.0
S1552L	155	34	161	150	60.0 (6118)	56.0 (5710)	4.00 (40.8)	6200	0.058	17.0	3.9
S1875L	180	40	198	183	74.0 (7546)	69.0 (7036)	4.00 (40.8)	4700	0.100	26.8	4.2
S2091L	205	50	252	234	94.0 (9585)	88.0 (8973)	4.00 (40.8)	3800	0.160	34.1	4.5



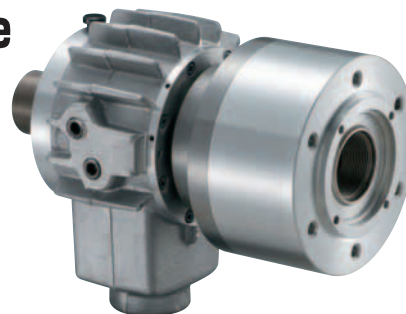
**ROTARY
CYLINDER**

High Speed Hydraulic Cylinder with Open Centre

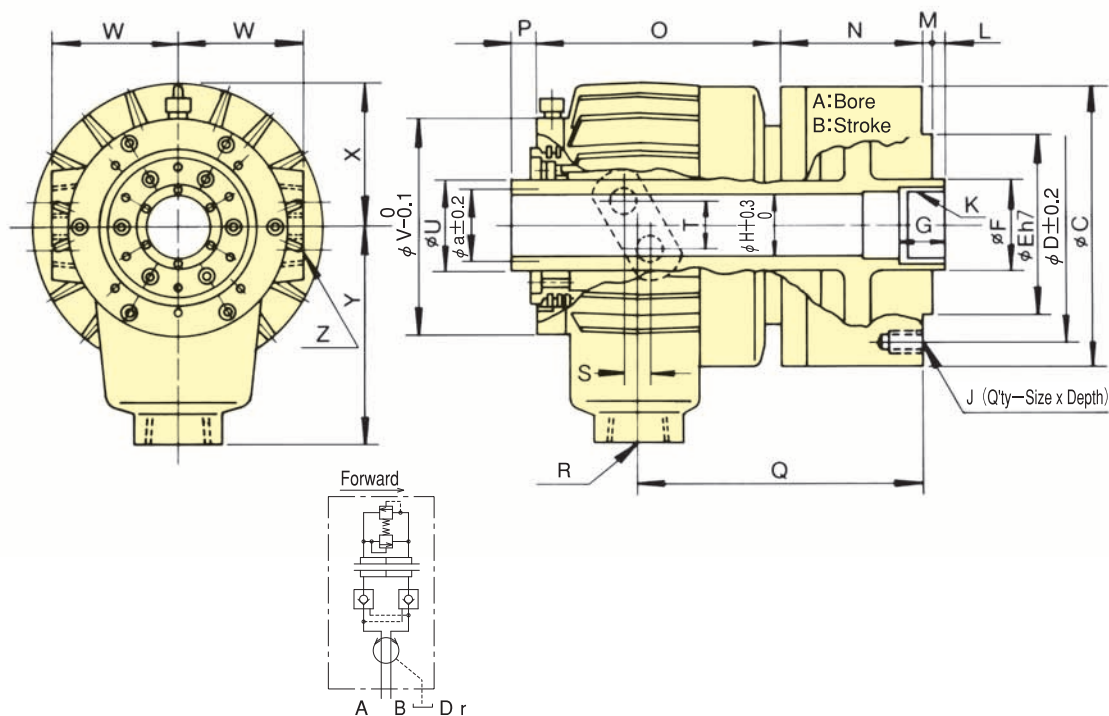
F series

KITAGAWA standard thru-hole type

- Built-in check valve and relief valve
- * CE correspondence (Only series with checking device)



Dimensional Drawings



Dimensions

Dimensions Model	A	B	C	D	E (h7)	F	G	H	J	K	L max.	L min.	M	N	O	P max.	P min.	Q	R	S	T	U	V	W	X	Y	Z	a
F0933H	95	12	125	100	80	45	25	33.5	6-M 8×15	M 38×1.5	+ 7	- 5	5	71	119	41	29	142	RC ³ / ₄	11.8	22	M39×1.5	104	64	66	110	2×2-RC ¹ / ₄	-
F2511H	250	23	310	275	230	140	45	117.5	12-M 16×32	M 130×2.0	+18	- 5	6	101	209	38	15	217	RC 1	27	20	134.6	232	125	135.5	215	2×2-PT ³ / ₈	127

Specifications ※ Total leakage : Pressure 3.00MPa (30.6kgf/cm²) and oil temperature 50°C. ※ Draw bar pull force : Pressure 4.00MPa (40.8kgf/cm²)

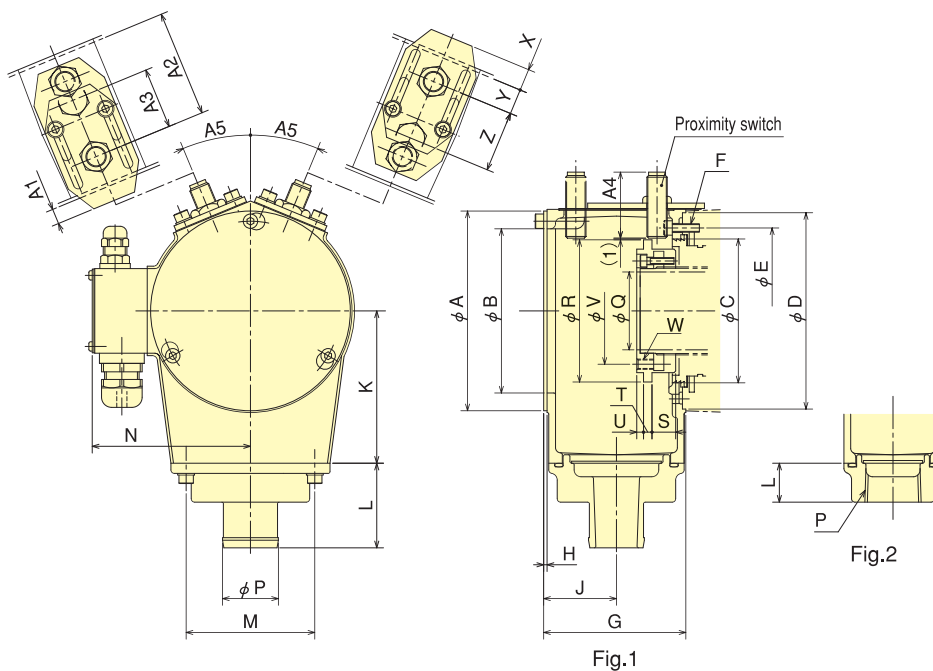
Specifications Model	Thru-Hole mm	Piston stroke mm	Piston Area		Draw bar		Max. Operation Pressure MPa (kgf/cm ²)	Total leakage ℓ /min	Max. Speed min ⁻¹	Net Weight kg	Moment of inertia kg·m ²
			Push Side cm ²	Pull Side cm ²	Push Side kN(kgf)	Pull Side kN(kgf)					
F0933H	33	12	58	55	22.0 (2243)	20.6 (2100)	4.00 (40.8)	3.0	8000	8.5	0.008
F2511H	117.5	23	348	336	125.0 (12746)	120.0 (12236)	4.00 (40.8)	7.0	2800	60.0	0.455



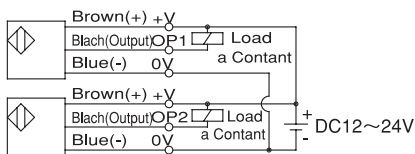
**ROTARY
CYLINDER**

Coolant Collector Confirmation Device

Dimensional Drawings

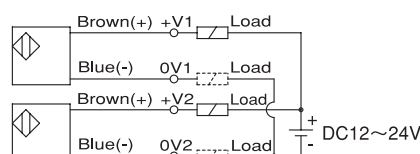


Proximity Switch Type 1
manufactured by B & Plus KK
BES516-329-E3R



Circuit Diagram for Proximity Switch Output
NPN A Contact (Normally open)

Proximity Switch Type 2
manufactured by Yamatake
FL7M-3J6HD



Circuit Diagram for Proximity Switch Output
DC two-wire system A Contact (Normally open)
Lead = Both sides connectable

Dimensions

*The under bodies of CSK12Y2A, CSK14Y2A, CSK16Y2A, CSK17Y2A, CSK18Y2A, CSK21Y2A, and CS-25HW are based on Fig. 2.

Model	Matching Cylinder	A	B	C	D	E	F	G	H	J	K	L	M	N	P	Q
CS-S10BN	S1036	118	97	73	104	88	4-M5	84	2	43	90	50	76	93.5	33	36
CS-S12BN	S1246	118	97	85	116	98	4-M5	84	2	43	90	50	76	93.5	33	46
CS-S15BN	S1552	136	114	96	135	110	4-M6	84	2	43	100	50	76	103.5	33	52
CS-S18BN	S1875	181	154	121	164	155	4-M6	88	2	46	140	50	76	126.5	33	75
CS-S20BN	S2091	181	154	138	180	165	4-M6	104	2	44	140	50	76	126.5	33	91
CSK12Y2A	SS1246K	118	97	85	116	98	4-M5	62	2	32	90	23	76	92.5	Rc 1	46
CSK14Y2A	SS1453K	136	114	96	135	110	4-M6	84	2	35	100	23	76	102.5	Rc 1	53
CSK16Y2A	SS1666K	171	144	111	154	145	4-M6	88	2	38	135	23	76	121.5	Rc 1	66
CSK17Y2A	SS1775K	181	154	121	164	155	4-M6	71	2	37.5	140	23	76	123.5	Rc 1	75
CSK18Y2A	SS1881K	191	165	126	175	166	4-M6	88	2	38	145	23	76	130.5	Rc 1	81
CSK21Y2A	SS2110K	229	200	160	210	201	4-M6	84	2	35	163	23	76	150.5	Rc 1	106
CS-F08BN	F0933H	118	97	73	104	88	4-M5	84	2	43	90	50	76	93.5	26	33
CS-25HW	F2511H	232	200	179	-	206	4-M6	101.6	1.6	51.6	180	-	76	148.5	Rc3/4	117.5

Model	Matching Cylinder	R	S	T	U	V	W	X max.	Y	Z	A1 max.	A2	A3	A4	A5	Proximity switch
CS-S10BN	S1036	84	14	5	4	52	4-M6	13	15	36	9	63	36	39	22.5°	TYPE.1
CS-S12BN	S1246	84	14	5	4	63	4-M6	13	15	36	9	63	36	39	22.5°	TYPE.1
CS-S15BN	S1552	99	14	5	4	70	4-M6	13	15	36	9	63	36	39	22.5°	TYPE.1
CS-S18BN	S1875	144	14	5	4	95	4-M6	15	15	39	15	71	39	39	15°	TYPE.1
CS-S20BN	S2091	144	21	5	2	108	4-M6	8	22	41	10	82	41	39	15°	TYPE.1
CSK12Y2A	SS1246K	84	10	5	8	63	4-M6	10	15	27	7	42	27	35	22.5°	TYPE.2
CSK14Y2A	SS1453K	99	4	5	11.5	70	4-M6	13	15	36	10	64	37	35	20°	TYPE.2
CSK16Y2A	SS1666K	134	12.5	5	4	85.5	4-M6	8	15	28	7	70	28	35	15°	TYPE.2
CSK17Y2A	SS1775K	144	14	5	4	95	4-M6	13.5	14.5	32.5	13.5	54.5	32.5	35	15°	TYPE.2
CSK18Y2A	SS1881K	155	12.5	5	4	100	4-M6	8	15	28	7	70	28	35	15°	TYPE.2
CSK21Y2A	SS2110K	190	14	5	4	130	4-M6	13	15	36	9	63	36	35	12°	TYPE.2
CS-F08BN	F0933H	72	25	7	-	-	-	13	15	36	9	63	36	39	22.5°	TYPE.1
CS-25HW	F2511H	192	12	12	-	-	-	18	17	52	11.4	85	36	39	22.5°	TYPE.1

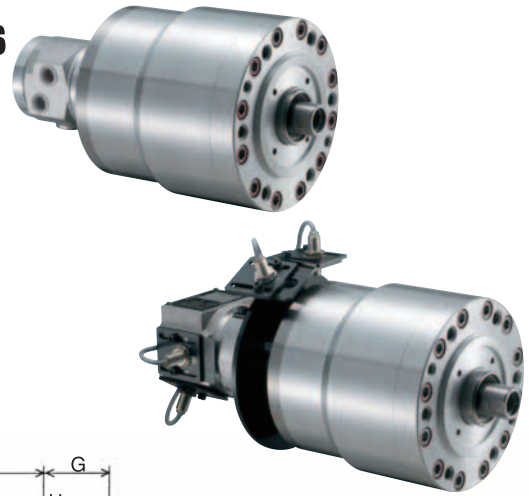


**ROTARY
CYLINDER**

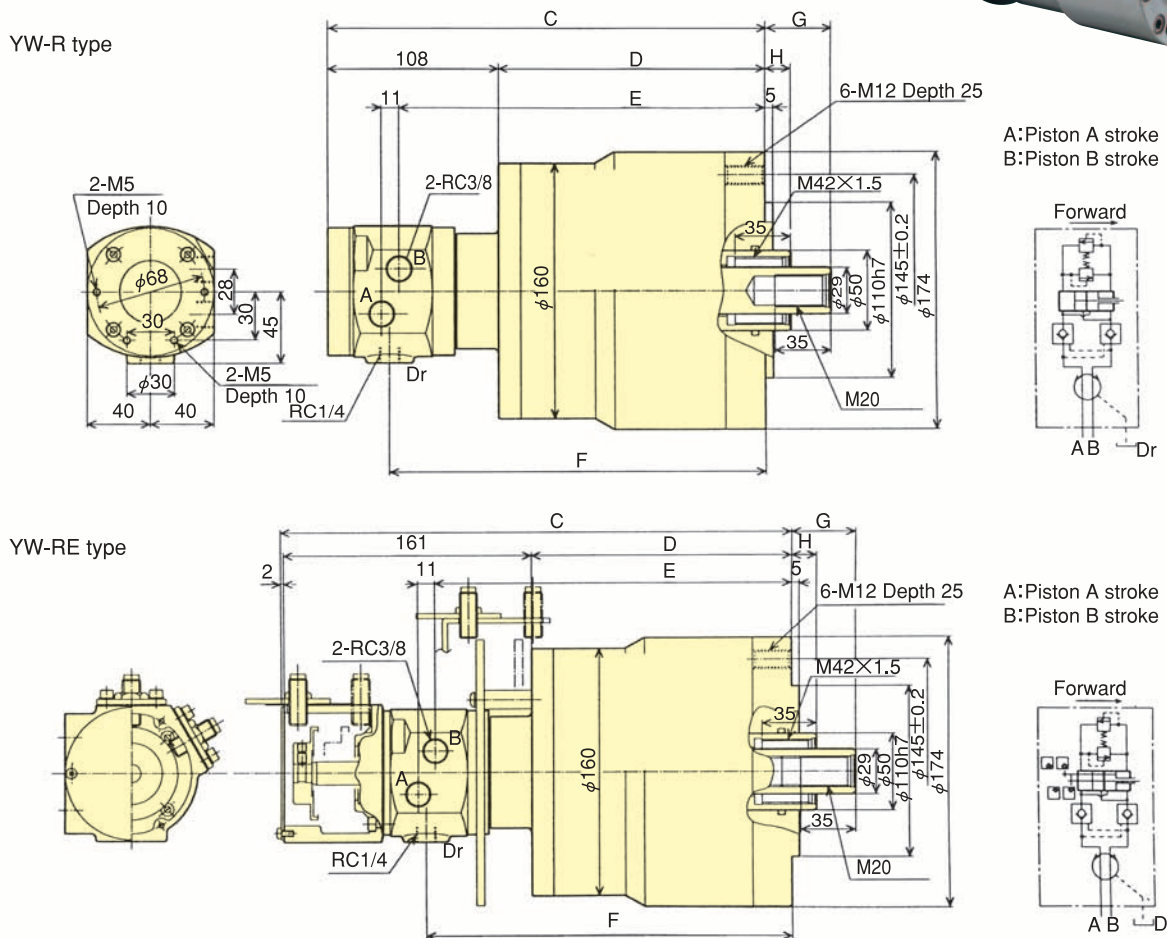
Double piston cylinder YW-R series

Best suited for HW-series chucks

- YW-R Built-in check valve and pressure relief valve
- YW-RE Built-in check valve, pressure valve and sensor switches
- * CE correspondence (YW-RE)



Dimensional Drawings



Cylinder

Dimensions

Model	A	B	C	D	E	F	G max.	G min.	H max.	H min.
YW1220R	20	20	276	168	231	237	61	41	36	16
YW1225R	25	25	286	178	241	247	56	31	36	11
YW1220RE	20	20	331	168	231	237	61	41	36	16
YW1225RE	25	25	341	178	241	247	56	31	36	11

Specifications ※Draw bar pull force : Pressure 3.00MPa (30.6kgf/cm²) ※Total leakage : 3.00MPa (30.6kgf/cm²) and oil temperature 50°C.

Model	Piston stroke mm	Piston Area		Piston Area		Max. Operation Pressure MPa (kgf/cm ²)	Total leakage ℓ /min	Max. Speed min ⁻¹	Net Weight kg	Moment of inertia kg·m ²
		Push Side cm ²	Pull Side cm ²	Push Side kN(kgf)	Pull Side kN(kgf)					
YW1220R	20	126	113	33.0(3365)	31.0(3161)	3.00 (30.6)	0.7	5000	15.3	0.043
YW1225R	25	126	113	33.0(3365)	31.0(3161)	3.00 (30.6)	0.7	5000	15.5	0.044
YW1220RE	20	123	113	32.0(3263)	31.0(3161)	3.00 (30.6)	0.7	5000	16.3	0.044
YW1225RE	25	123	113	32.0(3263)	31.0(3161)	3.00 (30.6)	0.7	5000	16.5	0.045



**ROTARY
CYLINDER**

Compact Style Hydraulic Cylinder with Closed Centre

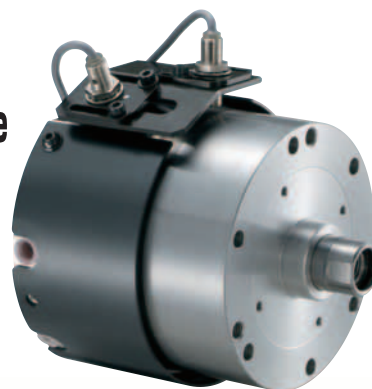
M series

Short, Compact, and Light

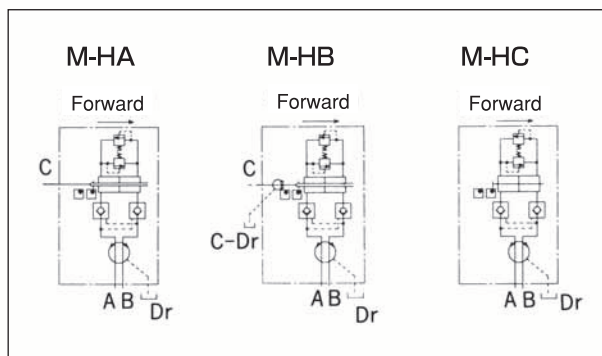
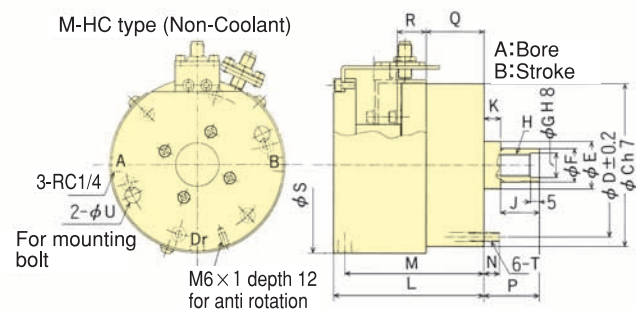
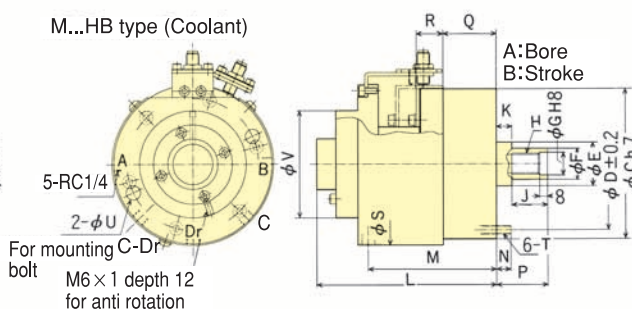
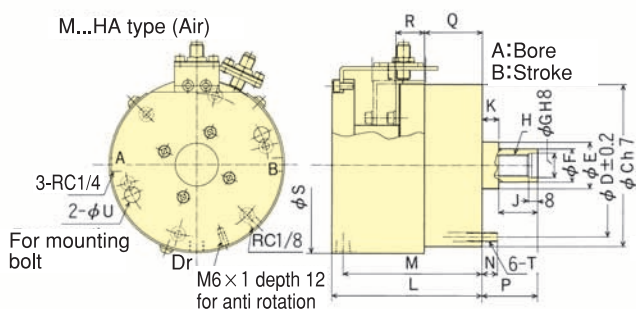
The compact design maximises Lathe performance

- Compact and lightweight
- Built-in check valve and pressure relief valve, and sensor switches

*CE correspondence



Dimensional Drawings



Dimensions

Model	A	B	C (h7)	D	E	F	G (H8)	H	J	K	L	M	N	P max.	P min.	Q max.	Q min.	R	S	T	U	V
M1120HA21N	110	20	145	128	42	30	22	M20	30	15	135	125	14	60	40	72	52	26	159.2	M 8	14	-
M1120HB21N	110	20	145	128	42	30	22	M20	30	15	175	125	14	60	40	72	52	26	159.2	M 8	14	104
M1120HC21N	110	20	145	128	42	30	22	M20	30	15	135	125	14	60	40	72	52	26	159.2	M 8	14	-
M1221HA21N	120	21	168	145	44	32	22	M20	30	15	138	128	14	60	39	75	54	27	182.2	M10	17	-
M1221HB21N	120	21	168	145	44	32	22	M20	30	15	178	128	14	60	39	75	54	27	182.2	M10	17	104
M1221HC21N	120	21	168	145	44	32	22	M20	30	15	138	128	14	60	39	75	54	27	182.2	M10	17	-
M1330HA21N	130	30	168	150	51	36	26	M24	35	15	144	134	18	60	30	79	49	37	182.2	M10	17	-
M1330HB21N	130	30	168	150	51	36	26	M24	35	15	184	134	18	60	30	79	49	37	182.2	M10	17	104
M1330HC21N	130	30	168	150	51	36	26	M24	35	15	144	134	18	60	30	79	49	37	182.2	M10	17	-

Specifications

*Draw bar: Max. Operation Pressure M1120H 3.5MPa (35.7kgf/cm²), M1221H 4.0MPa (40.8kgf/cm²), M1330H 4.0MPa (40.8kgf/cm²)

*Total leakage: Pressure 3.0MPa (30.6kgf/cm²) and oil temperature 50°C. *Proximity switch: Model BES516-325-E3R (manufactured by B & Plus KK) DC 12/24 V 200mA PNP

Model	Piston stroke mm	Piston Area Push Side cm ²	Piston Area Pull Side cm ²	Draw bar Push Side kN(kgf)	Draw bar Pull Side kN(kgf)	Max. Operation Pressure MPa (kgf/cm ²)	Total leakage l/min	Max. Speed min ⁻¹	Net Weight kg	Moment of inertia kg·m ²
M1120HA21N	20	87.6	84	28.0 (2855)	27.0 (2753)	3.50 (35.7)	1.2	6000	8.2	0.016
M1120HB21N	20	87.6	84	28.0 (2855)	27.0 (2753)	3.50 (35.7)	1.2	6000	8.5	0.016
M1120HC21N	20	87.6	84	28.0 (2855)	27.0 (2753)	3.50 (35.7)	1.2	6000	8.2	0.016
M1221HA21N	21	105.7	102	39.0 (3977)	38.0 (3875)	4.00 (40.8)	1.2	6000	10.2	0.028
M1221HB21N	21	105.7	102	39.0 (3977)	38.0 (3875)	4.00 (40.8)	1.2	6000	10.5	0.028
M1221HC21N	21	105.7	102	39.0 (3977)	38.0 (3875)	4.00 (40.8)	1.2	6000	10.2	0.028
M1330HA21N	30	125.3	119	47.0 (4793)	45.0 (4589)	4.00 (40.8)	1.2	6000	10.3	0.029
M1330HB21N	30	125.3	119	47.0 (4793)	45.0 (4589)	4.00 (40.8)	1.2	6000	10.6	0.029
M1330HC21N	30	125.3	119	47.0 (4793)	45.0 (4589)	4.00 (40.8)	1.2	6000	10.3	0.029

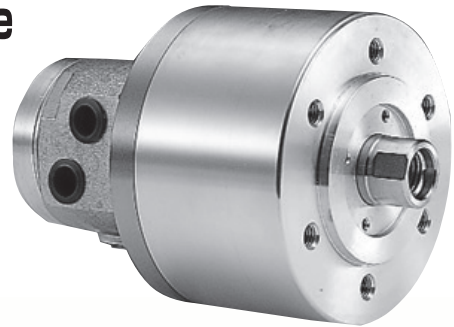


**ROTARY
CYLINDER**

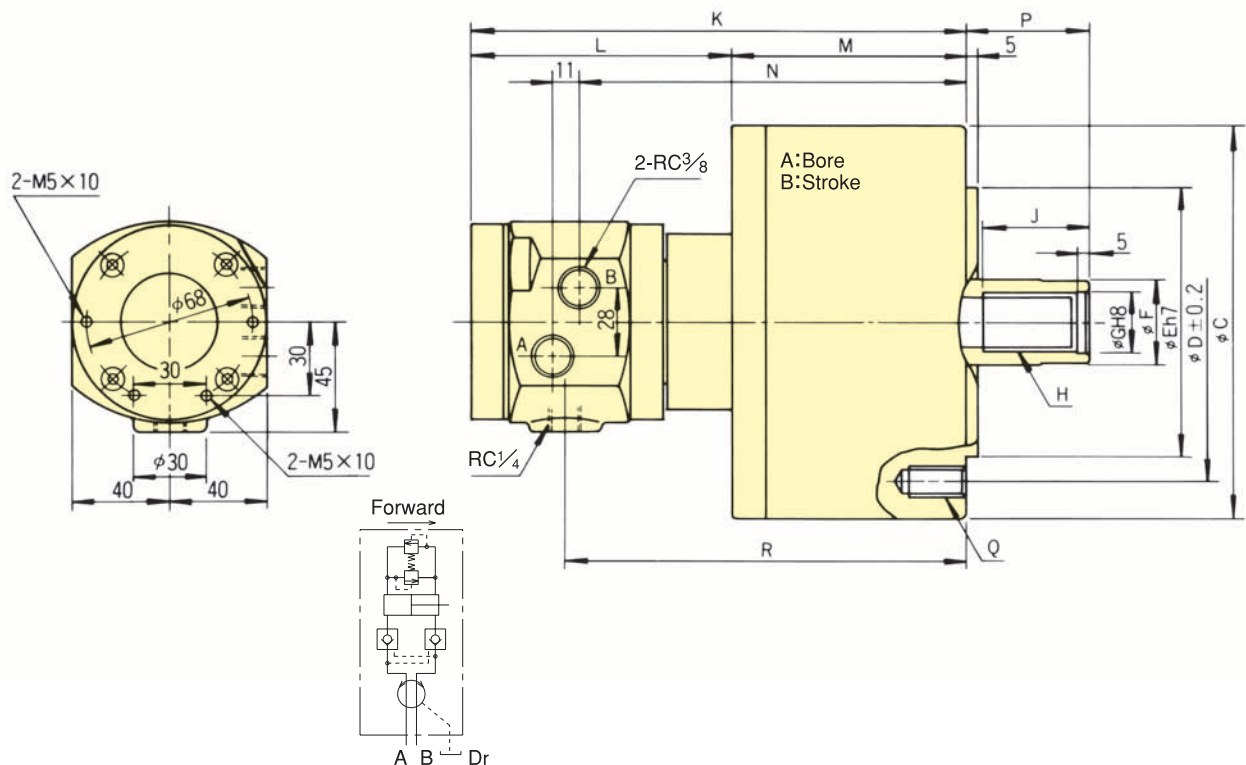
Hydraulic Cylinder with Closed Centre Y-R series

Closed Centre KITAGAWA standard type

- Built in safety check valves and pressure relief valves



Dimensional Drawings



Dimensions

Model	A	B	C	D	E	F	G	H	J	K	L	M	N	P max.	P min.	Q	R
Y0715R	75	15	104	90	65	30	21	M20	35	172	106	66	127	46	31	6-M 6x20	133
Y1020R	105	20	135	100	80	30	21	M20	35	197	108	89	152	45	25	6-M10x20	158
Y1225R	125	25	160	130	110	35	25	M24	44	205	108	97	160	51	26	6-M12x24	166
Y1530R	150	30	190	130	110	45	31	M30	45	214	108	106	169	56	26	12-M12x24	175
Y2035R	200	35	245	145	120	55	37	M36	60	228	106	122	183	69	34	12-M16x30	189

Specifications

*Draw bar pull force : Pressure 4.0MPa (40.8kgf/cm²) *Total leakage : 3.0MPa (30.6kgf/cm²) and oil temperature 50°C.

Model	Piston stroke mm	Piston Area		Draw bar		Max. Operation Pressure MPa (kgf/cm ²)	Total leakage l / min	Max. Speed min ⁻¹	Net Weight kg	Moment of inertia kg·m ²
		Push Side cm ²	Pull Side cm ²	Push Side kN(kgf)	Pull Side kN(kgf)					
Y0715R	15	44	37	16.6 (1693)	13.9 (1417)	4.00 (40.8)	0.8	6000	4.0	0.003
Y1020R	20	86	79	32.0 (3263)	29.0 (2957)	4.00 (40.8)	0.8	6000	7.1	0.013
Y1225R	25	122	113	46.0 (4691)	42.0 (4283)	4.00 (40.8)	0.8	6000	10.0	0.023
Y1530R	30	176	160	66.0 (6730)	60.0 (6118)	4.00 (40.8)	0.8	5500	13.5	0.048
Y2035R	35	314	290	117.0 (11930)	108.0 (11013)	4.00 (40.8)	0.8	5500	22.0	0.098

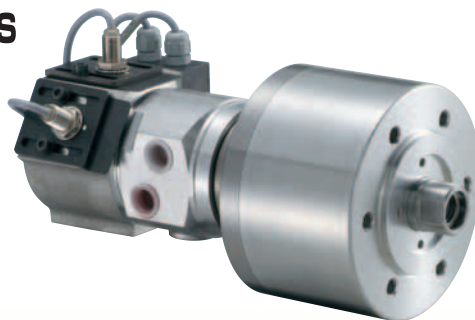


**ROTARY
CYLINDER**

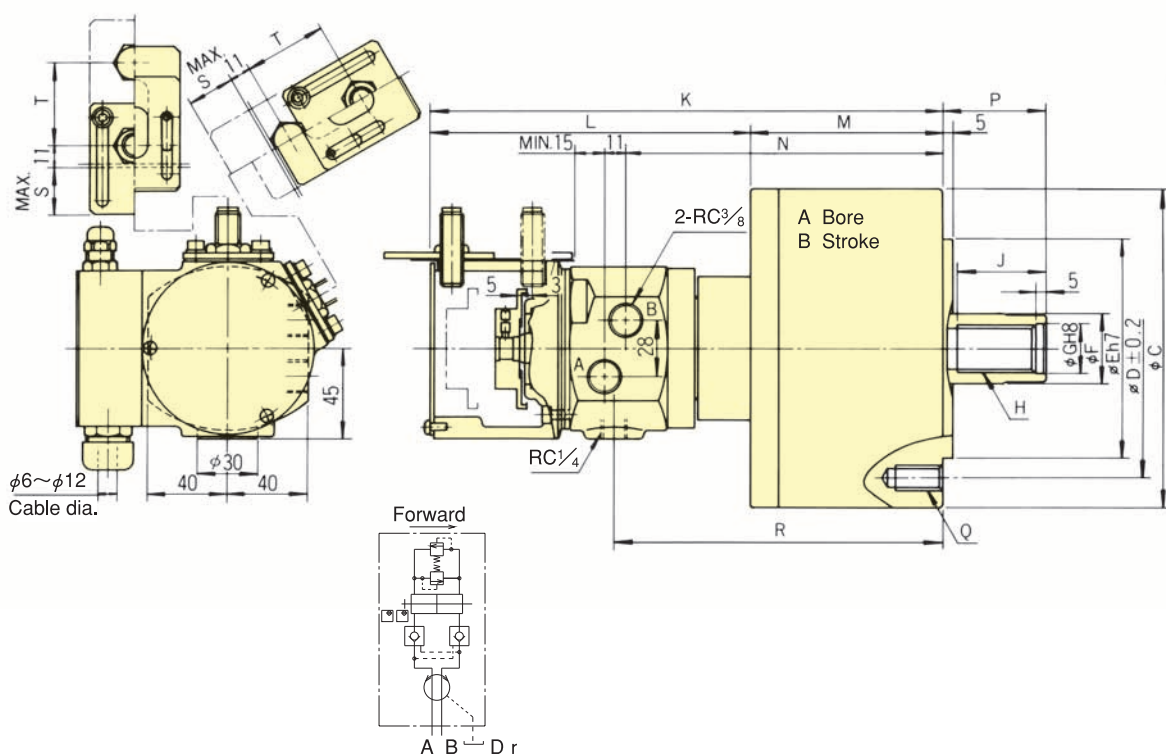
Hydraulic Cylinder with Closed Centre Y-RE series

Closed Centre Kitagawa standard series Built in proximity switch

- Built-in check valve, relief valve and sensor switches
- * CE correspondence



Dimensional Drawings



Cylinder

Dimensions

Dimensions	A	B	C	D	E	F	G	H	J	K	L	M	N	P max.	P min.	Q	R	S	T
Y0715RE	75	15	104	90	65	30	21	M20	32	227	161	66	127	46	31	6-M 6×20	133	23	41
Y1020RE	105	20	135	100	80	30	21	M20	35	252	163	89	152	45	25	6-M10×20	158	23	41
Y1225RE	125	25	160	130	110	35	25	M24	44	260	163	97	160	51	26	6-M12×24	166	23	41
Y1530RE	150	30	190	130	110	45	31	M30	45	269	163	106	169	56	26	12-M12×24	175	23	41
Y2035RE	200	35	245	145	120	55	37	M36	60	288	166	122	183	69	34	12-M16×30	189	28	46

※Draw bar pull force : Pressure 4.00MPa (40.8kgf/cm²) ※Total leakage : Pressure 3.00MPa (30.6kgf/cm²) and oil temperature 50°C.

※Proximity switch: Model BES516-329-E3R (manufactured by B & Plus KK) DC12/24V 200mA NPN

Specifications

Specifications	Piston stroke	Piston Area		Draw bar		Max. Operation Pressure	Total leakage	Max. Speed	Net Weight	Moment of inertia
Model	mm	Push Side cm ²	Pull Side cm ²	Push Side kN(kgf)	Pull Side kN(kgf)	MPa (kgf/cm ²)	ℓ /min	min ⁻¹	kg	kg·m ²
Y0715RE	15	42	37	15.9 (1621)	13.9 (1417)	4.00 (40.8)	0.8	6000	4.5	0.003
Y1020RE	20	84	79	31.0 (3161)	29.0 (2957)	4.00 (40.8)	0.8	6000	7.6	0.012
Y1225RE	25	120	113	45.0 (4589)	42.0 (4283)	4.00 (40.8)	0.8	6000	10.5	0.023
Y1530RE	30	174	160	65.0 (6628)	60.0 (6118)	4.00 (40.8)	0.8	5500	14.0	0.048
Y2035RE	35	312	290	117.0 (11930)	108.0 (11013)	4.00 (40.8)	0.8	5500	22.5	0.098

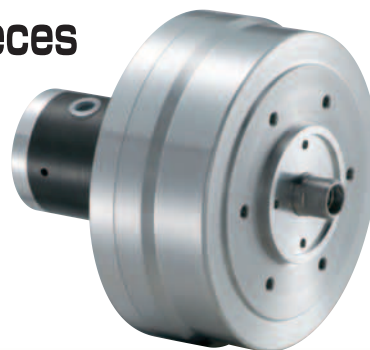


**ROTARY
CYLINDER**

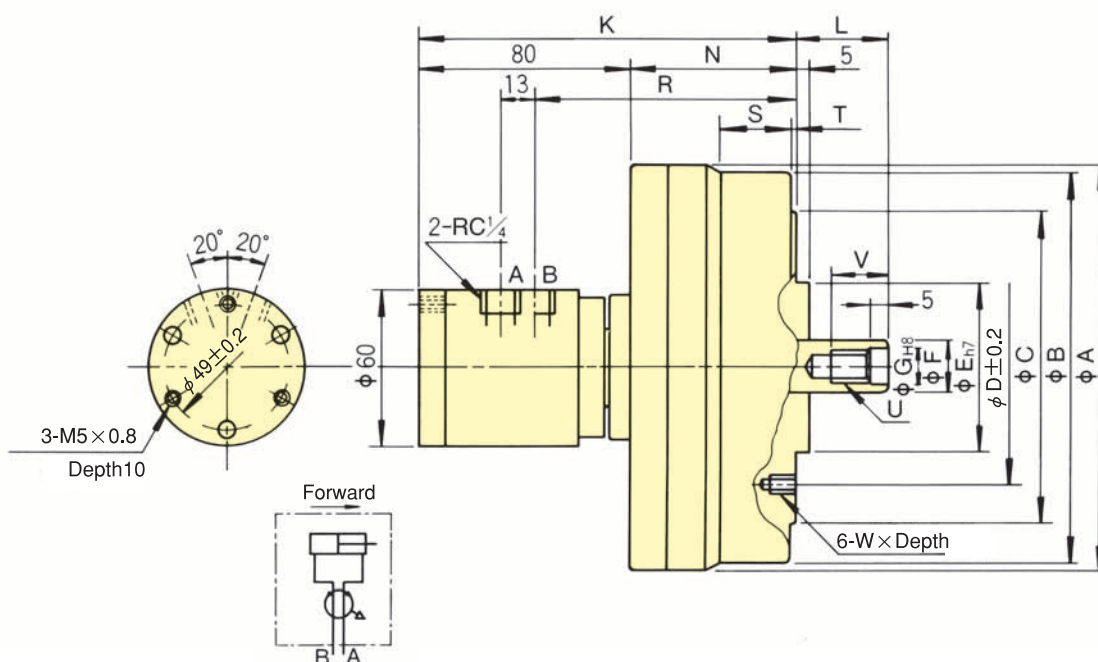
High Speed Air Cylinder with Closed Centre AY-R series

Ideally for extremely thin walled workpieces

- Secure operation even at low thrust
Air cylinder for machining easily deformed thin workpieces



Dimensional Drawings



Dimensions

Dimensions Model	A	B	C	D	E (h7)	F	G (H8)	K	L max.	L min.	N	R	S	T	U	V	W
AY1315R	156	150	120	90	65	20	13	143	35	20	63	99	27	2	M12	22	M 6×11
AY1720R	200	195	140	100	80	25	17	162	65	45	82	118	45	5	M16	30	M10×16
AY2225R	255	245	170	130	110	30	21	173	71	46	93	129	33	5	M20	35	M12×20

Specifications *Draw bar pull force : air pressure 0.5MPa (5.1kgf/cm²) [at efficiency 75%]

Specifications Model	Piston stroke mm	Piston Area		Draw bar		Max operation pressure MPa (kgf/cm ²)	Max. Speed min ⁻¹	Net Weight kg	Moment of inertia kg·m ²
		Push Side cm ²	Pull Side cm ²	Push Side kN(kgf)	Pull Side kN(kgf)				
AY1315R	15	131	128	4.9 (500)	4.8 (489)	0.8 (8.2)	5000	5.0	0.010
AY1720R	20	227	220	8.5 (867)	8.2 (836)	0.8 (8.2)	5000	8.2	0.028
AY2225R	25	378	371	14.1 (1438)	13.9 (1417)	0.8 (8.2)	4000	9.8	0.080



**ROTARY
CYLINDER**

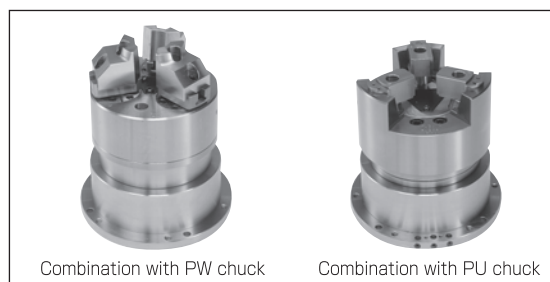
Stationary Cylinder YS series

Suitable for use on Machining Centre
Suitable for a variety of chuck types

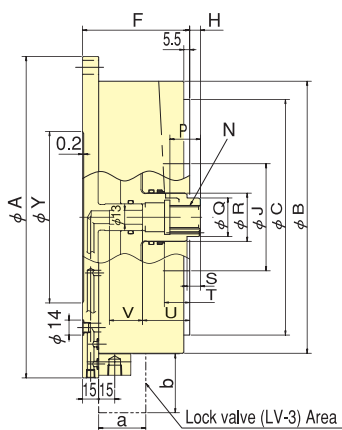


- Best suited for versatile workpieces
- Can be easily mounted to milling and drilling machines
- Easily mounted to work gripper multiplate
- Pneumatic or hydraulic pressure can be supplied

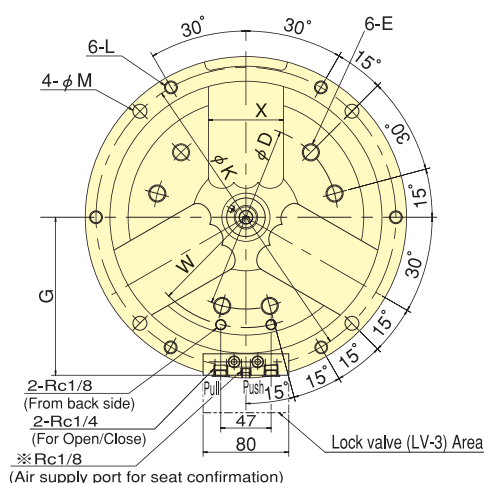
Combination example



Dimensional Drawings



[Note] 1. For seat confirmation, please remove Orifice Plug marked with ※.



Dimensions

※The dimensions of a/b marked are the size of LV-3(Lock-valve).

Model	ϕA_{h7}	ϕB	ϕC_{h7}	ϕD	E	F	G	H max.	H min.	ϕJ	ϕK	L	ϕM
YS1415K	203	165	140	104.8	M10depth17	72	103	8	-7	75	185	M10	11
YS1820K	248	210	170	133.4	M12depth24	92	125.5	11	-9	100	230	M10	11
YS2220K	300	254	220	171.4	M16depth24	100	147.5	10	-10	100	280	M12	13

Model	N	P	ϕQ	ϕR	S	T	U	V	W	X	Y	a	b
YS1415K	M16	14	-	40	-	9.3	23	25	60	48	95	45	55
YS1820K	M18	21.5	30	40	7.3	17.3	35.5	31	80	70	125	45	55
YS2220K	M22	28.5	36	45	12.5	23.7	44	31	95	70	160	45	55

Specifications

Model	Piston stroke	Max. allowable pressure		Max. thrust				Net Weight	Matching chuck size
		Pneumatic	Hydraulic	Pneumatic	0.6MPa (6kgf/cm ²)	Hydraulic	1.5MPa (15.3kgf/cm ²)		
YS1415K	15mm	0.7MPa (7.0kgf/cm ²)	1.5MPa (15.3kgf/cm ²)	Push	8.5kN (867kgf)	Push	20.8kN (2121kgf)	15.0kg	6inch
				Pull	8.1kN (826kgf)	Pull	20.1kN (2050kgf)		
YS1820K	20mm	0.7MPa (7.0kgf/cm ²)	1.5MPa (15.3kgf/cm ²)	Push	15.1kN (1540kgf)	Push	37.7kN (3844kgf)	22.0kg	8inch
				Pull	14.6kN (1489kgf)	Pull	36.5kN (3722kgf)		
YS2220K	20mm	0.7MPa (7.0kgf/cm ²)	1.5MPa (15.3kgf/cm ²)	Push	21.4kN (2182kgf)	Push	53.6kN (5466kgf)	39.0kg	10inch
				Pull	20.8kN (2121kgf)	Pull	51.9kN (5292kgf)		