



CHUCK

▶ **P.67~P.73**

Manual Chuck



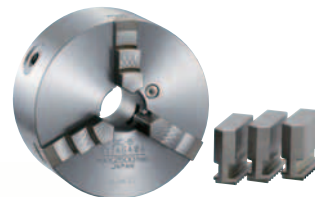
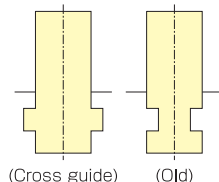
CHUCK

Scroll Chuck with Integrated Jaw (Straight Recess) SC·JN series

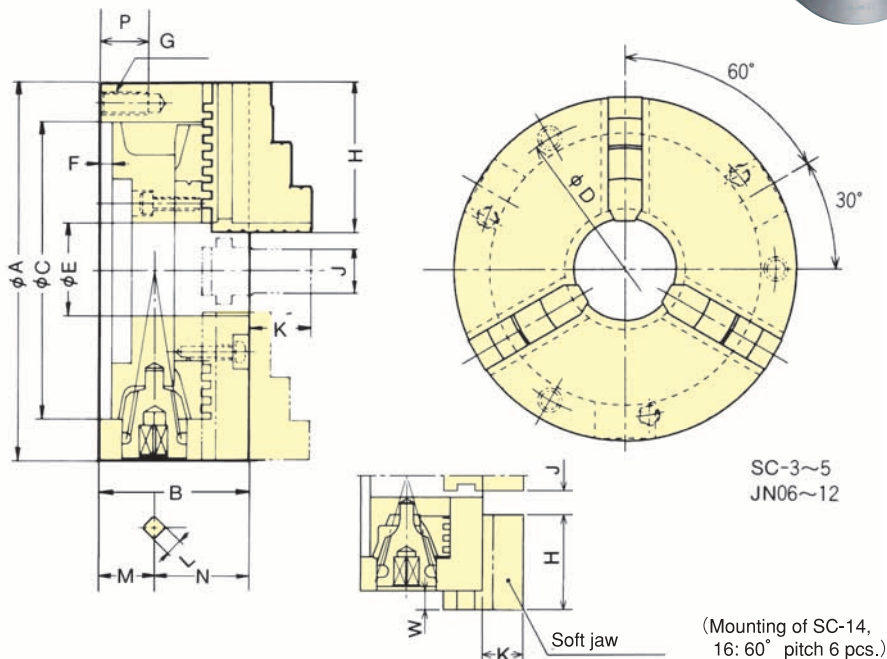
**Durable, reliable and versatile
KITAGAWA'S standard type**

- Straight Recess
- Single Piece Jaw Type
Available with hard jaw for internal and external gripping.
- Steel body
Body is manufactured from high quality steel to increase rigidity, durability and rotational speed.

(SC-3, 4, 5, 14, 16 are made of cast iron,
and JN-6, 7, 9, 10 and 12 are made of steel.)



Dimensional Drawings



Dimensions

Type	Size	A	B	C (H6)	D	E	F	G	H	J	K	L	M	N	P	W max.	W min.
SC-3(F)		85	45	60	73	16	3.5	3-M 6	35	11	15	7	17	28	13	(1.5)	(- 7)
SC-4(F)		110	58	80	95	24	4.5	3-M 8	42	14	18	8	24.5	33.5	16	(2.5)	(-12)
SC-5(F)		130	60	100	115	32	4.5	3-M 8	50	16	20	8	22.5	37.5	16	(3.5)	(-14.5)
JN06		165	65	130	147	45	5	3-M10	66	20.5	27	10	24	41	20		
JN07		190	75	155	172	55	5	3-M10	78	22.5	31	11	27.5	47.5	20		
JN09		232	84	190	210	70	6	3-M12	88	26.5	33	12	29.5	54.5	23		
JN10		273	86	230	250	85	6	3-M12	98	26.5	37	12	31.5	54.5	23		
JN12		310	96	260	285	96	7	3-M12	113	30.5	44	14	31.5	64.5	25		
SC-14		355	110	300	328	100	7	6-M12	132	35	52	15	38	72	35		
SC-16		405	120	345	375	110	8	6-M12	146	40	58	15	43.5	76.5	35		

Specifications

Type	Spec.	Thru-Hole mm	Max. Gripping Force kN(kgf)	Max. Speed min ⁻¹	Net Weight with Soft top jaw kg	Moment of inertia kg·m ²	Gripping range external φmm Internal φmm	Handle torque N·m(kgf·m)
SC-3(F)		16	9.0(918)	2500	1.5	0.001	2~ 70 24~ 64	29.4(3.0)
SC-4(F)		24	12.0(1224)	2500	3.1	0.004	3~ 95 29~ 84	44.1(4.5)
SC-5(F)		32	15.0(1530)	2500	4.4	0.009	3~110 33~100	63.7(6.5)
JN06		45	31.0(3161)	4000	8.4	0.030	3~160 48~150	88.3(9.0)
JN07		55	31.0(3161)	3500	12.2	0.060	4~180 56~170	107.9(11.0)
Type	Spec.	Thru-Hole mm	Max. Gripping Force kN(kgf)	Max. Speed min ⁻¹	Net Weight with Soft top jaw kg	Moment of inertia kg·m ²	Gripping range external φmm Internal φmm	Handle torque N·m(kgf·m)
JN09		70	37.0(3773)	2900	21.2	0.160	5~220 62~210	147.0(15.0)
JN10		85	46.0(4691)	2500	28.0	0.253	5~260 70~250	176.5(18.0)
JN12		96	55.0(5608)	2200	41.0	0.588	10~300 86~290	206.0(21.0)
SC-14		100	40.5(4130)	1500	54.0	0.950	25~315 107~290	225.6(23.0)
SC-16		110	45.0(4589)	1500	74.0	1.725	25~360 113~340	245.0(25.0)

※SC type and JN type, each one set of internal jaws and external jaws are attached as standard. Soft jaws cannot be used for JN type. SC-F type, each one set of internal jaws, external jaws and soft jaws are attached as standard. ※When the soft jaws are used for SC-F type, use the chuck of lower specification.

※Since there are types mounted to the front side, please contact your agent if required.

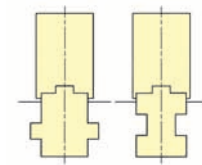


CHUCK

Scroll Chuck with 2 piece Jaw (Straight Recess) JN-T series

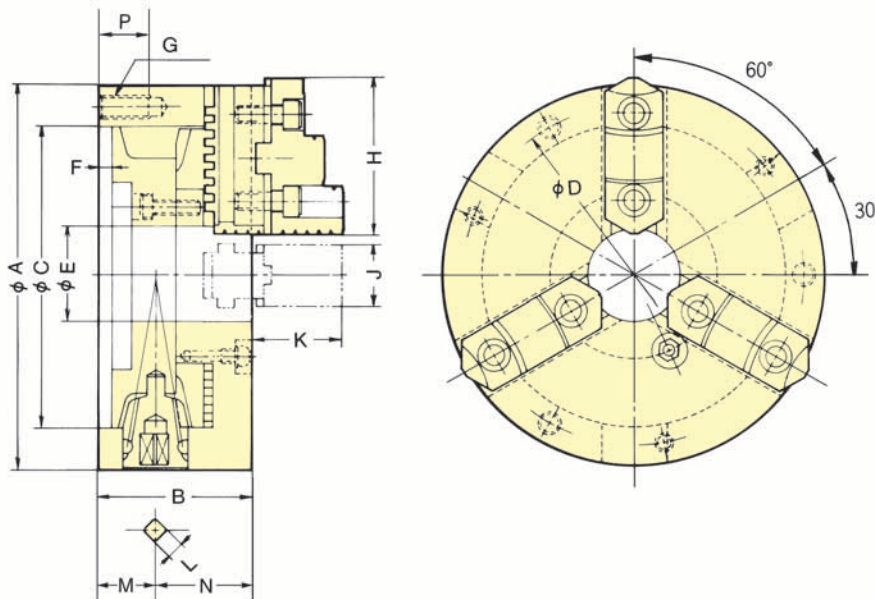
Two piece jaw

- Straight Recess
- Cross guide (JN-T series)
Base jaw is located using cross guide reducing runout and distortion.
- Two Piece Jaw Type (with hard jaw and soft jaws)
Top jaw can be changed according to application (i.e. hard jaw suitable for heavy cutting, and soft jaw suitable for precisely machining. Each jaw can also be changed easily. Especially, the hard jaw can clamp inner diameter and outer diameter of work.
- Steel body
Body is manufactured from high quality steel to increase rigidity, durability and rotational speed.



(Cross guide) (Old)

Dimensional Drawings



Dimensions

Type	Size	A	B	C (H6)	D	E	F	G	H	J	K	L	M	N	P
JN06T	165	65	130	147	45	5	3-M10	68	26	39	10	24	41	20	
JN07T	190	75	155	172	55	5	3-M10	80	28	42	11	27.5	47.5	20	
JN09T	232	84	190	210	70	6	3-M12	90	32	50	12	29.5	54.5	23	
JN10T	273	86	230	250	85	6	3-M12	100	35	54	12	31.5	54.5	23	
JN12T	310	96	260	285	96	7	3-M12	115	40	56	14	31.5	64.5	25	

Specifications

Type	Spec.	Thru-Hole mm	Max. Gripping Force kN(kgf)	Max. Speed min ⁻¹	Net Weight with Soft top jaw kg	Moment of inertia kg·m ²	Gripping range		Matching soft jaw (hard jaw)	Handle torque N·m(kgf·m)
							external φ mm	Internal φ mm		
JN06T	45	31.0(3161)	31.0(3161)	4000	9.0	0.033	3~160	55~150	SBS06(HBS06C)	88.3(9.0)
JN07T	55	31.0(3161)	31.0(3161)	3500	13.0	0.063	4~180	62~170	SBS07(HBS07C)	107.9(11.0)
JN09T	70	37.0(3773)	37.0(3773)	2900	22.0	0.163	5~220	70~210	SBS09(HBS09C)	147.0(15.0)
JN10T	85	46.0(4691)	46.0(4691)	2500	29.0	0.265	5~260	80~250	SBS10(HBS10C)	176.5(18.0)
JN12T	96	55.0(5608)	55.0(5608)	2200	43.0	0.588	10~300	90~290	SBS12(HBS12C)	206.0(21.0)

※For dimensions of soft jaws and hard jaws, refer to pages 93 and 94 on the catalogue.
Since there are types mounted to the front side, please contact your agent if required.



CHUCK

Scroll Chuck with Two Piece Jaw JN-RA series

Two piece jaw

- Short taper

Direct mount to short taper without the need for separate adaptor.

- Soft jaw (option)

Supplied with standard hard jaws (fitted). Soft jaw can also be used. (Option, used together with JN-T type)



Dimensional Drawings

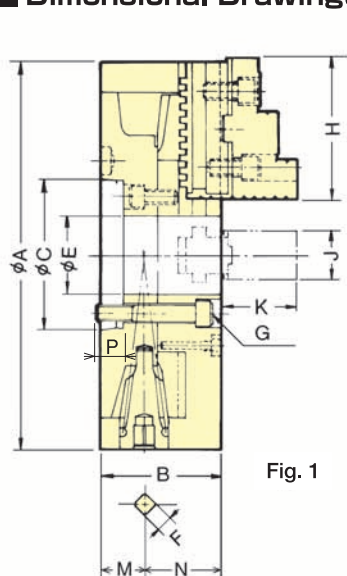


Fig. 1

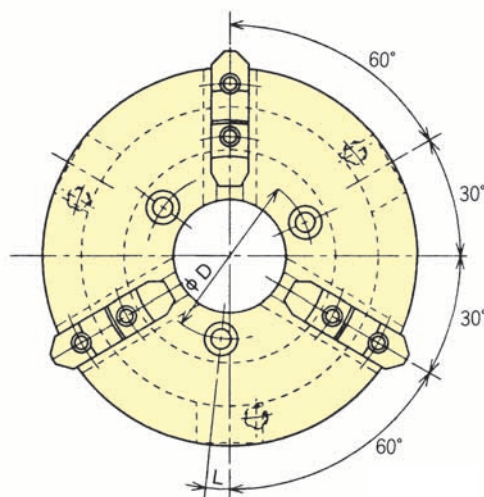
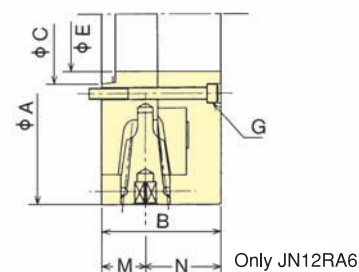


Fig. 2



Only JN12RA6

Dimensions

Type	Size	A	B	C	D	E	F	G	H	J	K	L	M	N	P
JN06RA5		165	65.5	82.563	61.9	40	10	3-M10	68	26	39	6°	24	41	16
JN07RA5		190	75	82.563	61.9	40	11	3-M10	80	28	42	5°	27.5	47.5	16.5
JN08RA6		210	75	106.375	82.6	59	11	3-M12	80	28	42	6°	29	46	15.5
JN09RA6		232	84	106.375	82.6	59	12	3-M12	90	32	50	6°	29.5	54.5	16.5
JN10RA6		273	86	106.375	82.6	59	12	3-M12	100	35	54	0°	31.5	54.5	14.5
JN10RA8		273	86	139.719	111.1	78	12	3-M16	100	35	54	15°	31.5	54.5	18.5
JN12RA6		310	96	106.375	133.4	96	14	3-M12	115	40	56	0°	31.5	64.5	18.5
JN12RA8		310	96	139.719	111.1	78	14	3-M16	115	40	56	0°	31.5	64.5	23.5

Specifications

Type	Spec.	Thru-Hole mm	Max. Gripping Force kN(kg _f)	Max. Speed min ⁻¹	Net Weight kg	Moment of inertia kg·m ²	Gripping range		Matching Hard top jaw	Handle torque N·m(kgf·m)
							external φmm	Internal φmm		
JN06RA5		40	31.0(3161)	4000	9.3	0.035	3~160	55~150	HBS06C	88.3(9.0)
JN07RA5		40	31.0(3161)	3500	13.4	0.068	4~180	62~170	HBS07C	107.9(11.0)
JN08RA6		59	31.0(3161)	3200	18.0	0.103	4~200	62~190	HBS07C	107.9(11.0)
JN09RA6		59	37.0(3773)	2900	23.5	0.170	5~220	70~210	HBS09C	147.0(15.0)
JN10RA6		59	46.0(4691)	2500	30.5	0.275	5~260	80~250	HBS10C	176.5(18.0)
JN10RA8		78	46.0(4691)	2500	31.0	0.280	5~260	80~250	HBS10C	176.5(18.0)
JN12RA6		96	55.0(5608)	2200	44.0	0.595	10~300	90~290	HBS12C	206.0(21.0)
JN12RA8		78	55.0(5608)	2200	45.0	0.608	10~300	90~290	HBS12C	206.0(21.0)



CHUCK

2-Jaw Scroll Chuck

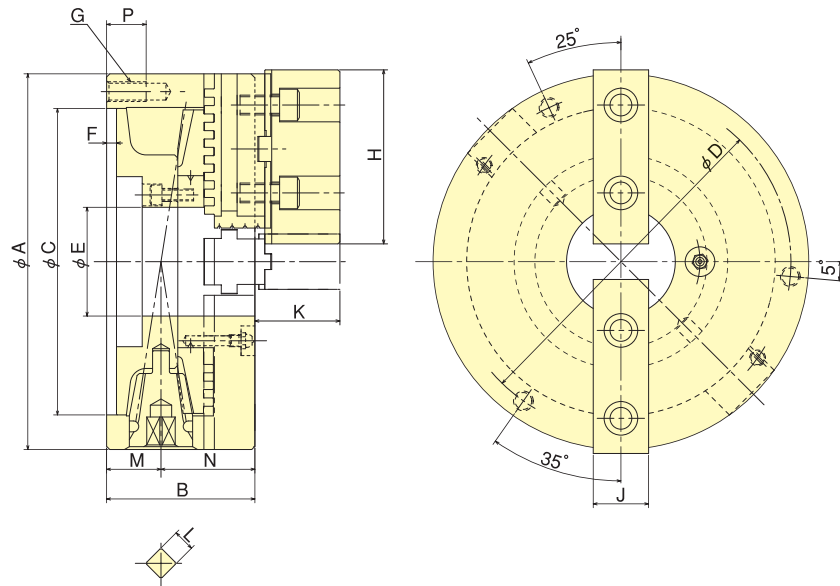
JT series

This two jaw chuck provides the optimum solution for gripping valves, pipe joints and other irregularly shaped components



- Straight recess
Mounting dimensions are the same as the JN type.

Dimensional Drawings



Dimensions

Type	Size	A	B	C Size	C Tolerance	D Size	D Tolerance	E	F	G	H	J	K	L Size	L Tolerance	M	N	P
JT07		190	75	155	$^{+0.025}_0$	172	± 0.2	55	5	3-M10	88	28	43	11	$^{+0.15}_{+0.05}$	27.5	47.5	20
JT09		232	84	190	$^{+0.029}_0$	210	± 0.2	70	6	3-M12	100	32	50	12	$^{+0.15}_{+0.05}$	29.5	54.5	23

Specifications

Type	Spec.	Thru-Hole mm	Max. Gripping Force kN(kgf)	Max. Speed min ⁻¹	Net Weight with Soft top jaws kg	Moment of inertia kg·m ²	Gripping range		Matching Soft top jaw	Handle torque N·m(kgf·m)
							external ϕ mm	Internal ϕ mm		
JT07		55	20.7(2110)	3500	12.6	0.065	4~180	62~170	For JT07	73.5 (7.5)
JT09		70	24.7(2518)	2900	21.4	0.160	5~220	70~210	For JT09	98.0 (10.0)



CHUCK

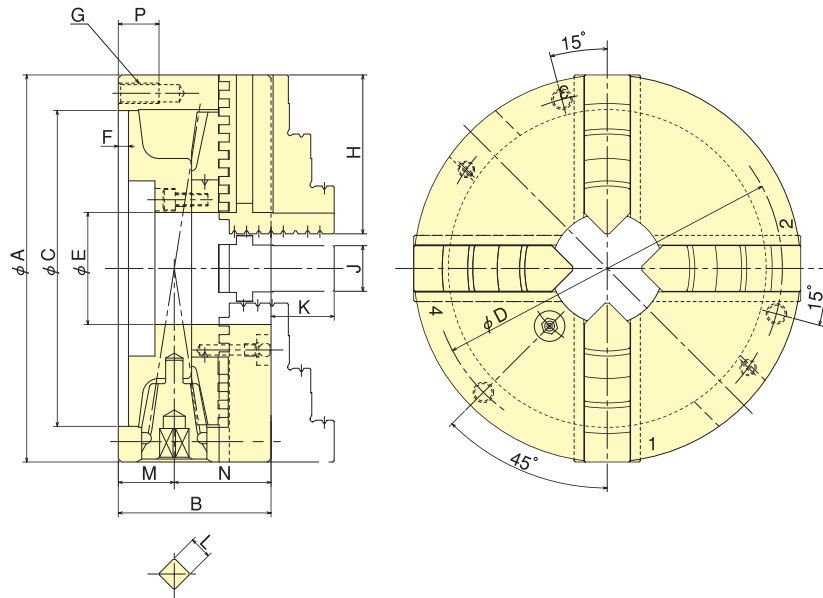
4-Jaw Scroll Chuck JS series

Reliable and effective gripping of irregularly shaped components

- Thin walled materials ensure minimal distortion, even with thin-walled cylindrical pipe
- Straight recess
Mounting dimensions are the same as the JN type.



Dimensional Drawings



Dimensions

Type	Size	A	B	C Size	C Tolerance	D Size	D Tolerance	E	F	G	H	J	K	L Size	L Tolerance	M	N	P
JS07	190	75	155	$+0.025_0$	172	± 0.2	55	5	3-M10	78	22.4	31	11	$+0.15_{+0.05}$	27.5	47.5	20	
JS09	232	84	190	$+0.029_0$	210	± 0.2	70	6	3-M12	88	26.4	33	12	$+0.15_{+0.05}$	29.5	54.5	23	

Specifications

Type	Spec.	Thru-Hole mm	Max. Gripping Force kN(kgf)	Max. Speed min ⁻¹	Net Weight kg	Moment of inertia kg·m ²	Gripping range		Handle torque N·m(kgf·m)
							external ϕ mm	Internal ϕ mm	
JS07		55	31.0(3161)	3500	12.5	0.063	4~180	56~170	107.9(11.0)
JS09		70	37.0(3773)	2900	21.5	0.163	5~220	62~210	147.0(15.0)



CHUCK

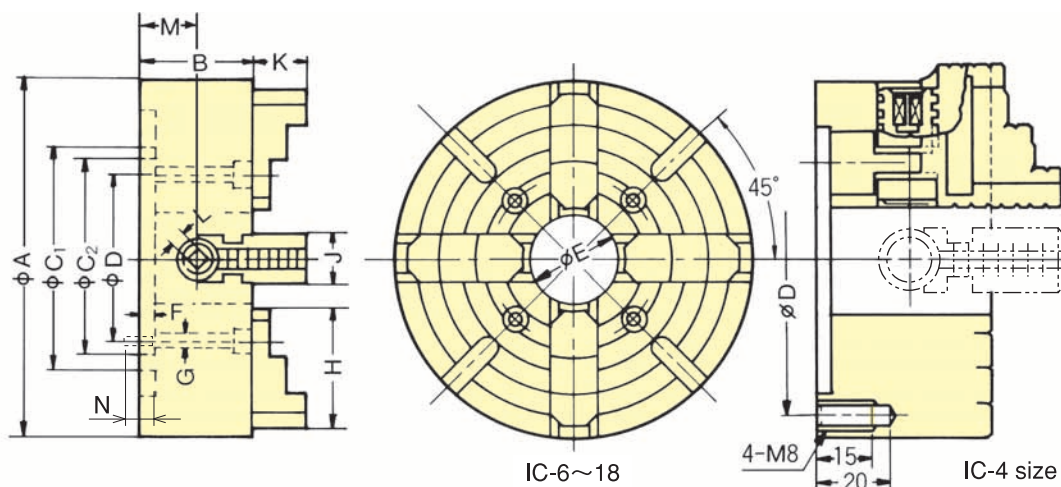
Independent Chuck (Straight Recess) IC series

Independent 4 Jaw Chuck

● Straight recess



Dimensional Drawings



(Note) In IC-4, 6 and 8, there is no T-groove on the chuck surface.

Dimensions

Type	Size	A	B	C ₁	C ₂		D	E	F	G	H	J	K	L		M	N
					Size	Tolerance								Size	Tolerance		
IC-4	100	48	-	75H7	+0.030	0	86	30	4	-	40	18	20	6	+0.15	26	-
IC-6	150	60	-	130H7	+0.040	0	115	40	5	4-M10	55	25	25	8	+0.05	33	16
IC-8	200	75	-	175H7	+0.046	0	155	50	6	4-M12	75	30	30	10		43.5	20
IC-10	250	80	165	150H7			125	55	6	4-M12	90	30	35	10		47.5	21
IC-12	300	90	186	170H7			140	65	6	4-M12	100	35	40	12		53	21
IC-14	350	90	210	190H7			160	75	8	4-M12	110	35	45	12		53	18
IC-16	400	100	230	210H7			180	90	8	4-M16	120	40	50	14		58.5	24
IC-18	450	105	250	230H7			200	100	8	4-M16	130	40	55	14		63.5	24

Specifications

Type	Spec. Thru-Hole mm	Max. Gripping Force		Max. Gripping dia.		Min. Gripping dia.	Chuck		
		Handle torque N·m(kgf·m)	Tightening force of a jaw kN(kgf)	Inner jaw φmm	Outer jaw φmm	Inner jaw φmm	Net Weight kg	Moment of inertia kg·m ²	Max. Speed min ⁻¹
IC-4	30	34.0(3.5)	5.0(510)	40	90	8	2.4	0.003	2000
IC-6	40	49.0(5.0)	6.0(612)	60	140	8	6.1	0.020	1600
IC-8	50	83.0(8.5)	10.0(1020)	75	185	14	14.8	0.075	1600
IC-10	55	118.0(12.0)	14.0(1428)	95	220	14	21.0	0.150	1600
IC-12	65	147.0(15.0)	16.0(1632)	125	265	18	29.5	0.350	1400
IC-14	75	157.0(16.0)	17.0(1733)	155	310	20	40.0	0.725	1400
IC-16	90	216.0(22.0)	20.0(2039)	190	360	30	56.5	1.125	1200
IC-18	100	216.0(22.0)	20.0(2039)	220	405	35	70.0	1.750	1200

※T-slot for jig mounting is provided from IC-10 or more.

※Four mounting bolts are provided. (Except IC-4, chucks are mounted with hexagon socket set screws. Consequently, tap the backplate.)

※One hex wrench is attached for the chuck of each size (except IC-4).



CHUCK

Independent Chuck (Short Taper)

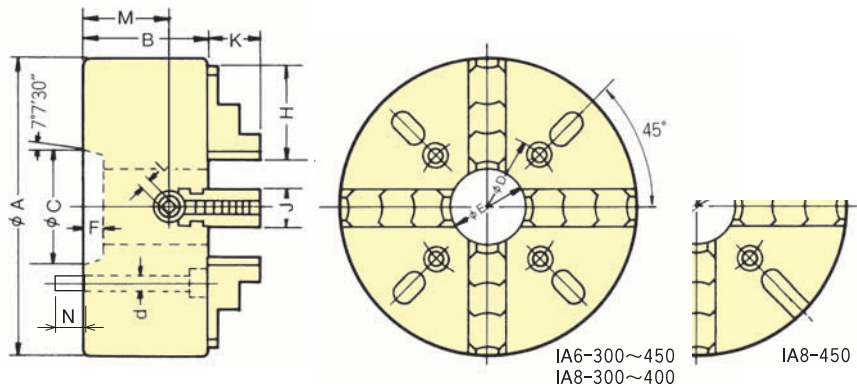
IA series

Independent 4 Jaw Chuck

- Chuck for short taper that can be directly mounted without back plate



Dimensional Drawings



※No T slot on the chuck surface for IA5-200 and IA6-250.

Dimensions

Spindle nose	Type	Size	Dimensions (mm)												(Mounting bolt)	Number of mounting bolts
			A	B	C	D	E	F	H	J	K	L	M	N		
A ₂ -5	IA 5 -200	200	70	82.563	104.8	50	15	75	30	30	10	38.5	17	M10×75	4	
	IA 6 -250	250	77	106.375	133.4	55	17	90	30	35	10	44.5	17	M12×80	4	
	IA 6 -300	300	90	106.375	133.4	65	17	100	35	40	12	53	19	M12×95	4	
A ₂ -6	IA 6 -350	350	90	106.375	133.4	75	17	110	35	45	12	53	19	M12×95	4	
	IA 6 -400	400	100	106.375	133.4	75	17	120	40	50	14	58.5	17	M12×100	4	
	IA 6 -450	450	105	106.375	133.4	80	17	130	40	55	14	63.5	20	M12×110	8	
A ₂ -8	IA 8 -300	300	100	139.719	171.4	75	18.5	120	40	50	14	58.5	24	M16×105	4	
	IA 8 -350	350	100	139.719	171.4	75	18.5	120	40	50	14	58.5	24	M16×105	4	
	IA 8 -400	400	105	139.719	171.4	90	18.5	120	40	50	14	58.5	24	M16×110	4	
	IA 8 -450	450	105	139.719	171.4	100	18.5	130	40	55	14	63.5	24	M16×110	4	

Specifications

※Mounting of IA-6-450 : 45° pitch, 8 pcs.

Spindle nose	Type	Spec.	Thru-Hole mm	Max. Gripping Force		Max. Gripping dia.		Min. Gripping dia.		Chuck		
				Handle torque N·m(kgf·m)	Tightening force of a jaw kN(kgf)	Inner jaw φmm	Outer jaw φmm	Inner jaw φmm	Net Weight kg	Moment of inertia kg·m ²	Max. Speed min ⁻¹	
A ₂ -5	IA 5 -200		50	83.0 (8.5)	10.0(1020)	75	185	14	14.9	0.080	3600	
	IA 6 -250		55	118.0(12.0)	15.0(1530)	95	220	14	24.2	0.188	3000	
A ₂ -6	IA 6 -300		65	147.0(15.0)	16.0(1632)	125	265	18	39.1	0.400	2000	
	IA 6 -350		75	147.0(15.0)	16.0(1632)	155	310	20	50.9	0.750	2000	
	IA 6 -400		75	216.0(22.0)	20.0(2039)	190	360	30	69.8	1.175	1800	
	IA 6 -450		80	245.0(25.0)	23.0(2345)	220	405	35	97.2	1.775	1200	
A ₂ -8	IA 8 -300		75	147.0(15.0)	16.0(1632)	125	265	18	39.1	0.400	2000	
	IA 8 -350		75	216.0(22.0)	20.0(2039)	155	310	20	56.2	0.775	2000	
	IA 8 -400		90	245.0(25.0)	23.0(2345)	190	360	30	73.8	1.250	1800	
	IA 8 -450		100	245.0(25.0)	23.0(2345)	220	405	35	102.5	1.825	1200	