



VP

AIR COOLED CHILLERS

VP Chillers

Fully self contained with all operating and safety controls.

Models – 6-120kW nominal capacity.

Non ferrous high pressure pump circuit

Fluid leaving temperatures from +20°C to –10°C in ambients up to 43°C

Multi circuits available.

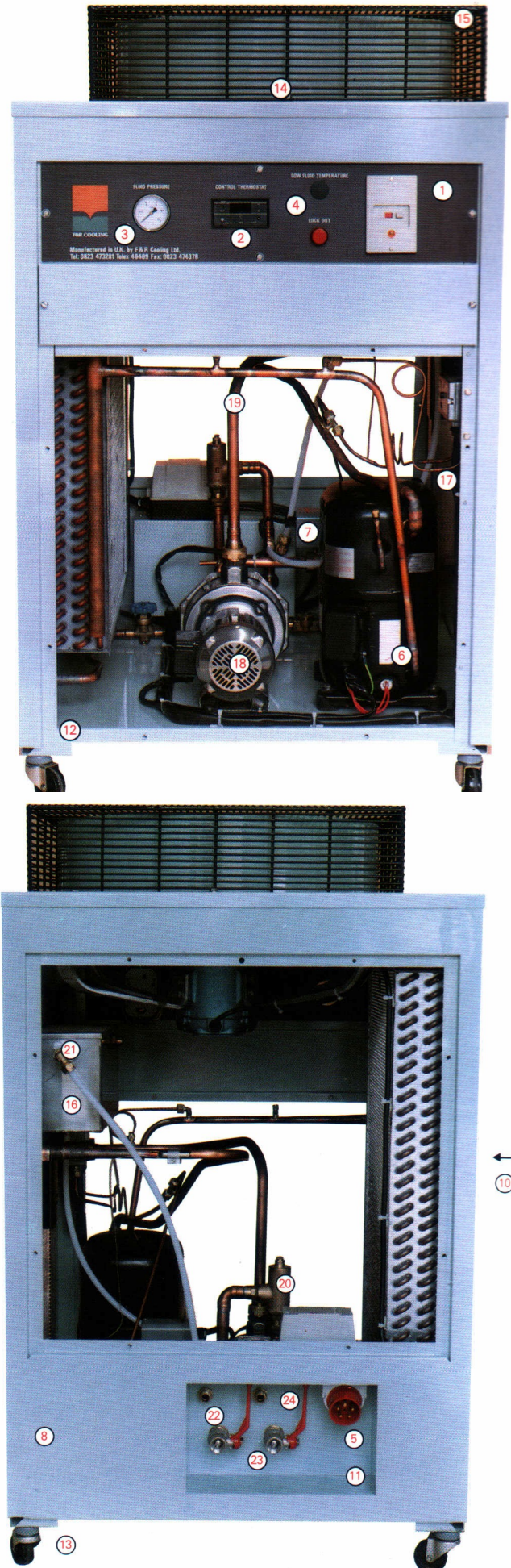
Full weatherproof models available.

Standard Features

No.	Description
1	Recessed Control Panel
2	Digital Temperature Indicator
3	Pressure Gauge
4	Indicator Lights
5†	415V-3-50Hz Plug & Socket
6	Fully Hermetic Compressor(s)
7	Flow Switch
8	Frame – robust and lightweight
9	Vertical Air Discharge
10	Condenser Air Inlet
11	Recessed Services Panel
12	Service Access Panels
13†	Heavy Duty Castors
14	Duct Work Mountings
15	Fan and Safety Guard
16	Fill and Vent Tank
17	Stainless Steel Evaporator
18	Non Ferrous Centrifugal Pump
19	Non Ferrous Fluid Circuit
20	Pressure Relief Valve
21*	Ball Valve
22*	Mains Inlet
23†	Flow and Return Valves
24	Overflow

† Models 6-30 only

* Manual fill units available.



Extraction Rates (Watts)

Based on ambient temperature 28°C

	VP Range												
	2	6	9	12	15	22	30	45	60	75	90	105	120
20°C	2200	6600	10700	13950	18000	25100	34400	50200	68800	84600	100400	109000	137600
15°C	2200	6600	10700	13950	18000	25100	34400	50200	68800	84600	100400	108000	137400
10°C	2000	6000	9000	12000	15000	22000	30000	45000	60000	75000	90000	105000	120000
5°C	1600	4800	6500	9000	12000	17000	23000	34000	46000	57000	68000	80000	92000
0°C	1260	3800	6000	7100	10000	13000	17000	26000	34000	43000	52000	60000	68000
-5°C	1060	3200	4800	5000	7900	9500	12000	19000	24000	31000	38000	43000	48000
-10°C	700	2100	3100	3250	5100	6200	7800	12400	15600	20200	24800	28000	31200

NB. For temperatures below 8°C glycol must be used.

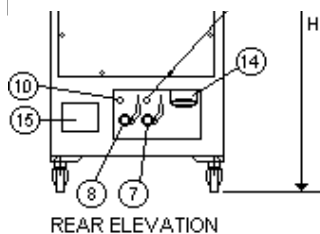
Kcals = Watts x 0.8598

BTUs = Watts x 3.4118

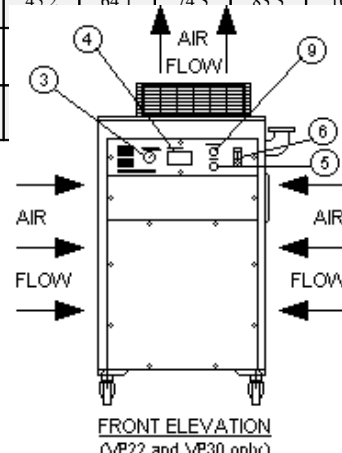
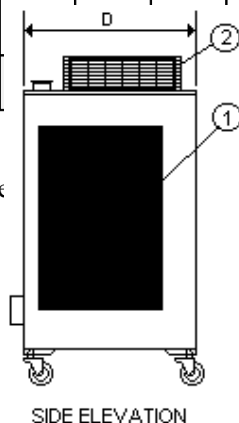
Physical and Electrical Data

		VP Range												
		2	6	9	12	15	22	30	45	60	75	90	105	120
Nominal duty at 10°C LWT – 28°C amb	kW	2	6	9	12	15	22	30	45	60	75	90	105	120
Nominal flow EWT 15°C-LWT – 10°C	m3/hr	0.35	1.03	1.55	2.06	2.58	3.79	5.16	7.74	10.32	12.9	15.48	18.06	20.64
Evaporator pressure drop at 5°C	m.HD	3	3	4.5	6.8	5.3	6.8	5.7	6.8	6.8	6.8	6.8	6.8	6.8
No. off Compressors	Fully hermetic	1	1	1	1	1	1	1	1	1	2	2	2	2
	Semi hermetic	-	-	-	-	-	-	-	Opt	Opt	Opt	Opt	Opt	Opt
Compressor nominal Input (each)	KW	1.18	2.6	3.8	4.6	5.7	8.3	12.5	16.7	25.3	14.25	16.7	20.2	25.3
Refrigeration circuits		1	1	1	1	1	1	1	1	1	1	1	1	1
Capacity control	%	0	0	0	0	0	0	0	0	0	0	0	0	0
		50	50	50	50	50	50	50	50	50	50	50	50	50
		100	100	100	100	100	100	100	100	100	100	100	100	100
Air flow	M3/hr	2000	6000	7000	7000	12000	11000	12000	24000	24000	36000	36000	48000	48000
No. off fans		1	1	1	1	1	1	1	2	2	3	3	4	4
Fan (each)	KW	0.06	0.45	0.45	0.45	1.1	1.1	1.5	1.5	1.5	1.5	1.5	1.5	1.5
Full load current	A	8.8	11.7	16.7	16.9	18.7	24.3	30.4	45.2	64.1	74.3	83.3	105	127
		38	49						152					292
		66	68						74					83

VP6 to VP30



models available

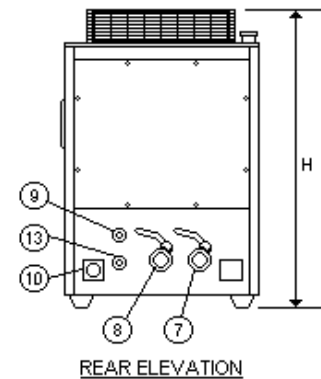
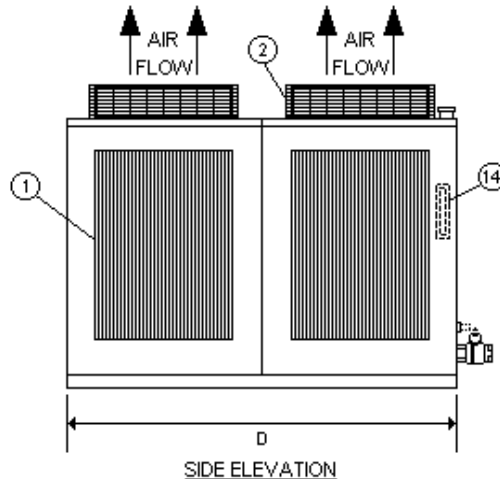
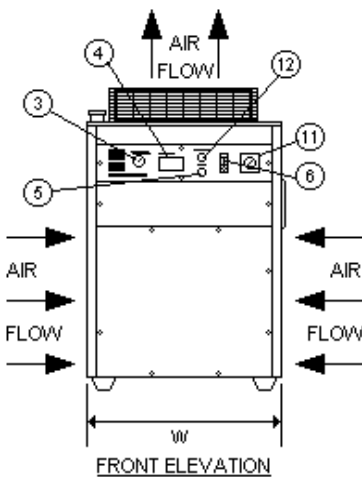


Item	Description
1	Air intake
2	Finger guard
3	Pressure gauge
4	Temperature indicator
5	Fault indication lamp
6	Start/stop control
7	Unit inlet – 1¼" BSP F
8	Unit outlet – 1¼" BSP F

Item	Description
9	Low fluid temperature indicator
10	Overflow - ½" BSP M
11	Mains water inlet ½" BSP M
12	Water level sightglass
13	Manual filling point OPT
14	Electrical entry plug
15	Terminal box

Model	Dimensions		
	D	H	w
VP6	820	1410	820
VP9 & 12	820	1410	820
VP15	1000	1600	1000
VP22	1000	1600	1000
VP30	1000	1600	1000

VP45 to VP120



Item	Description
1	Air intake
2	Finger guard
3	Pressure gauge
4	Temperature indicator
5	Fault indication lamp
6	Start/stop control
7	Unit inlet – 2" BSP

Item	Description
8	Unit outlet – 2" BSP
9	Overflow ½" BSP
10	Electrical entry point
11	Electrical isolator
12	Low fluid indicator
13	Mains water inlet
14	Water level sightglass

Model	Dimensions		
	D	H	W
VP45	2000	1510	1200
VP50	2000	1510	1200
VP75	3000	1510	1200
VP90	3000	1510	1200
VP105	4000	1510	1200
VP120	4000	1510	1200



F&R Products

Richards Close, Wellington,
Somerset, TA21 0BD, England

Telephone: 0044 (0) 1823 663281
Facsimile: 0044 (0) 1823 664378
E-mail: sales@fandrproducts.co.uk
Web: www.fandrproducts.co.uk

We reserve the right to alter the specifications detailed in this brochure without prior notice.