

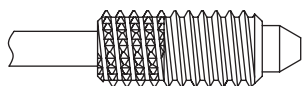
062 MINSTAC® SYSTEM

MINSTAC, The Lee Company's Miniature Inert System of Tubing and Components, is the smallest complete system available for micro fluidic management. The MINSTAC System allows the creation of reliable, compact fluidic systems with the ability to precisely control flow rate, pressure, filtration, atomization and other performance factors.

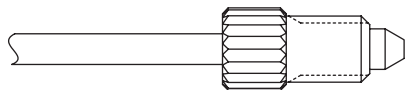
The 062 MINSTAC fitting system is for use with 0.062" O.D. Teflon® tubing and uses a 0.138-40 UNF fitting end. Tubing is offered in 0.032" ID (standard) and 0.012" ID (thick wall). Available in three fitting end styles, 062 MINSTAC tubing assemblies are offered with fittings at one or both ends. Free rotating coupling screws allow the fittings to be tightened without torquing the tubing, which prevents accidental unthreading of the coupling screw. The 062 MINSTAC fittings provide superior sealing and feature mating conical surfaces which minimize diameter changes, resulting in smooth flow through the tubing and fittings.

Tubing Assembly Styles

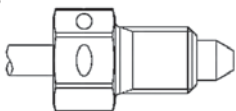
Standard MINSTAC – smallest package



"MIN-Spline" – larger coupling screw for hand tightened installations



"MIN-LOK" – MINSTAC coupling screw with lock wire holes for high vibration applications



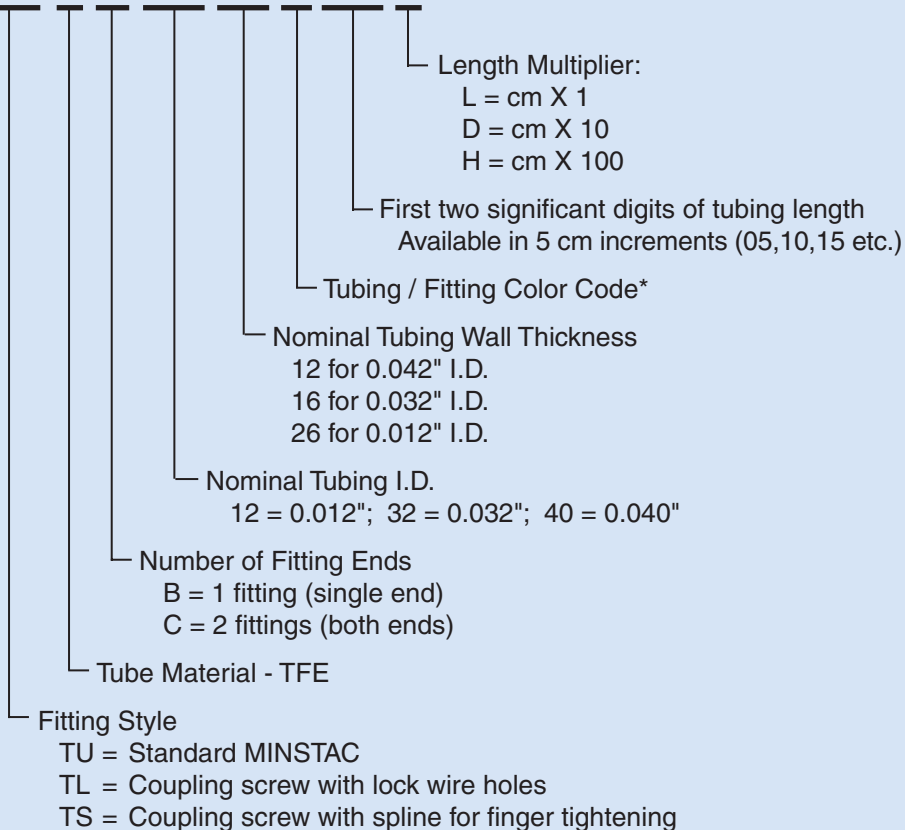
Teflon® and Delrin® are registered trademarks of Dupont Dow. MINSTAC® is a registered trademark of The Lee Company.

Kel-F® is a registered trademark of The 3M Company. Valox® is a registered trademark of GE.

- Compact size – fittings can be installed 0.190" on center
- Chemically inert materials (Teflon® and Kel-F®)
- Color coded coupling screws and tubing for complex fluid systems



TU T C 32 16 9 05 L



*Color Code: 0-Black; 1-Brown; 2-Red; 3-Orange; 4-Yellow; 5-Green; 6-Blue; 7-Violet; 8-Gray; 9-Natural

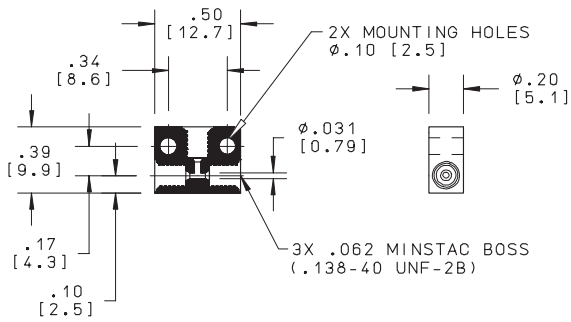
Lee 062 MINSTAC tubing assemblies are available pre-made and tested for production and instrument applications. The fittings are available in tubing kits for prototype and lab work.

The 062 MINSTAC system is compatible with many of Lee's miniature valves and fluidic components such as nozzles, filters and check valves. Contact your Lee Sales Engineer for additional technical assistance and application information.

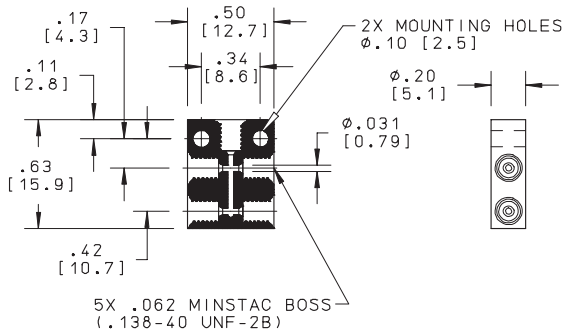
062 MINSTAC FITTINGS

062 MINSTAC MANIFOLDS

3 Boss – TMAA3203950Z – PEEK

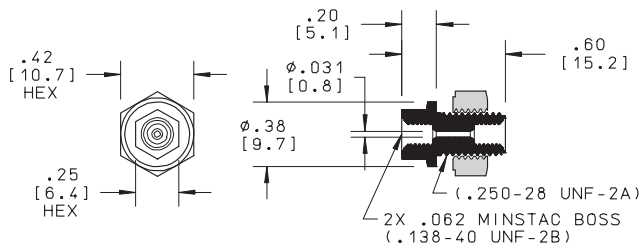


5 Boss – TMAA3201950Z – PEEK

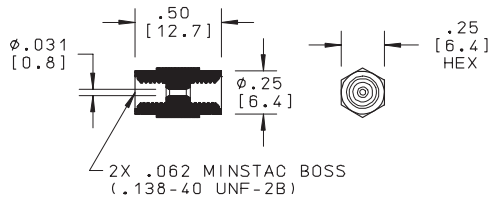


062 MINSTAC UNIONS

Bulkhead Union – TMUA3202950A – PEEK – Nut: Nylon

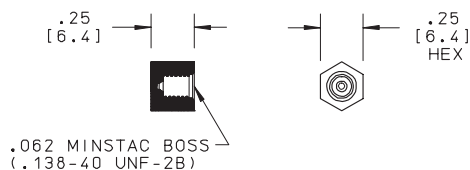


Tubing Union – TMUA3201950Z – PEEK



062 MINSTAC LINE SEAL CAP

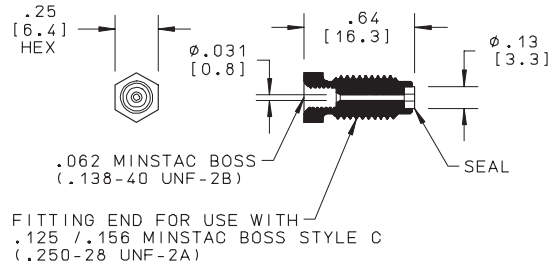
TMLA3201950Z – PEEK



062 MINSTAC ADAPTERS

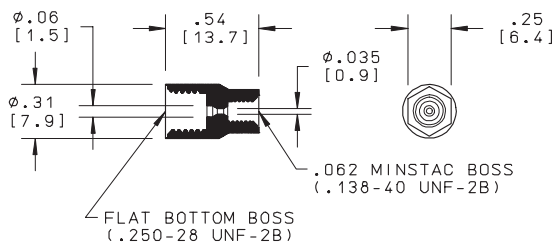
062 MINSTAC to 1/4-28 Flat Bottom Adapter

TMDA3204950Z – PEEK – Teflon®



1/4-28 Flat Bottom to 062 MINSTAC

TMDA3212950Z – PEEK



062 MINSTAC to LFA Tubing Adapter

Size: 0.05" (1.3 mm) A dia. (0.042" tube I.D.)

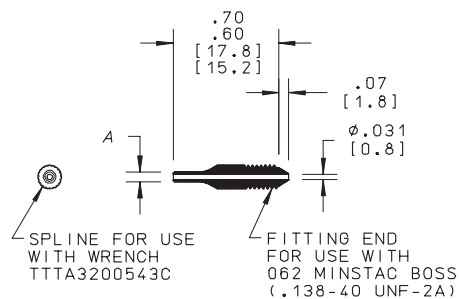
TMDA3207920Z Valox®

TMDA3207950Z PEEK

Size: 0.07" (1.8 mm) A dia. (0.060" tube I.D.)

TMDA3201930Z Delrin®

TMDA3201950Z PEEK



062 MINSTAC BOSS PLUG

TMPA3201919Z – Kel-F®

