

LEE 5K JEVA®

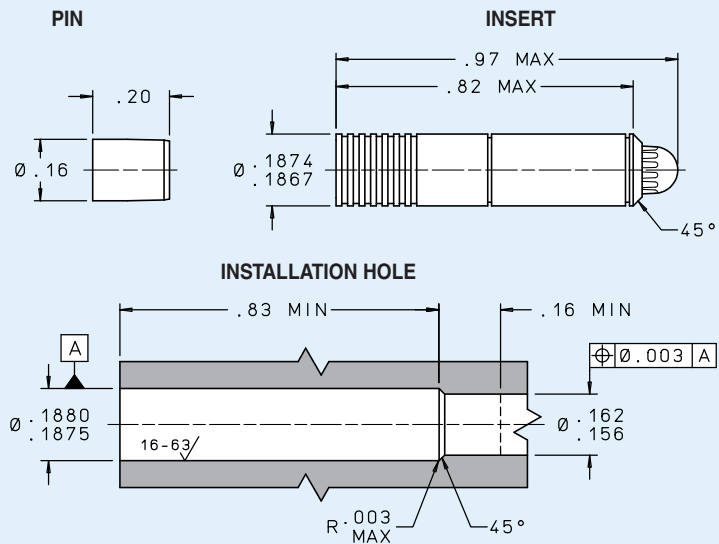
The Lee Company now offers its field proven JEVA product line in a robust, high pressure configuration that is rated to handle system pressures up to 5000 psi. Constructed entirely from 316L stainless steel and MP35N, the 5K JEVA offers exceptional corrosion resistance and performance for harsh duty applications.

Utilizing technology similar to traditional Lee Visco Jets®, the restrictor element on the 5K JEVA offers a reasonable degree of viscosity compensation without the use of any moving parts*. In addition, the unique metering element includes many orifices in series to lower fluid velocities and reduce the possibility of cavitation. This multi-orifice restrictor also offers up to a 280% increase in minimum passage size over a comparable single orifice restrictor, and therefore a higher tolerance for contamination.

The Lee 5K JEVA is offered in 93 different Lohm rates, ranging from 3520 to 313,000 Lohms, and is protected with two integral safety screens for bi-directional flow capability. Additionally, each 5K JEVA is 100% flow tested for accurate, consistent performance.

* Refer to our website, or the Lee Technical Hydraulic Handbook for additional details.

- Lohm Rate Tolerance: ±5%
- 100% Tested Bidirectional Flow
- Maximum Working Pressure: 5000 psid
- Excellent Corrosion Resistance
- Nominal Weight: 1.8 grams



MATERIALS		
PART	MATERIAL	SPECIFICATION
Body	316L Cres	AMS 5653
Pin	MP35N	—
Restrictor Element	316L Cres	ASTM A 666
Screens	316L Cres	ASTM A 666
Braze	—	AMS 4774

See reverse side for Part Numbers and Lohm Rates.

Lee Part Number	Lohm Rate (+/- 5%)	Min. Passage (in.)	Nominal Screen Hole Size (in.)
JHVA1855352D	3 520	.026	.015
JHVA1855370D	3 700	.026	.015
JHVA1855389D	3 890	.026	.015
JHVA1855408D	4 080	.026	.015
JHVA1855428D	4 280	.026	.015
JHVA1855450D	4 500	.026	.015
JHVA1855472D	4 720	.026	.015
JHVA1855496D	4 960	.026	.015
JHVA1855521D	5 210	.026	.015
JHVA1855547D	5 470	.026	.015
JHVA1855574D	5 740	.026	.015
JHVA1855603D	6 030	.026	.015
JHVA1855633D	6 330	.026	.015
JHVA1855665D	6 650	.026	.015
JHVA1855698D	6 980	.026	.015
JHVA1855733D	7 330	.026	.015
JHVA1845769D	7 690	.019	.015
JHVA1845808D	8 080	.019	.015
JHVA1845848D	8 480	.019	.015
JHVA1845890D	8 900	.019	.015
JHVA1845935D	9 350	.019	.015
JHVA1845982D	9 820	.019	.015
JHVA1845103H	10 300	.019	.015
JHVA1845108H	10 800	.019	.015
JHVA1845114H	11 400	.019	.015
JHVA1845119H	11 900	.019	.015
JHVA1845125H	12 500	.019	.015
JHVA1845132H	13 200	.019	.015
JHVA1845138H	13 800	.019	.015
JHVA1845145H	14 500	.019	.015
JHVA1845152H	15 200	.019	.015
JHVA1845160H	16 000	.019	.015
JHVA1845168H	16 800	.019	.015
JHVA1845176H	17 600	.019	.015
JHVA1835185H	18 500	.013	.008
JHVA1835194H	19 400	.013	.008
JHVA1835204H	20 400	.013	.008
JHVA1835214H	21 400	.013	.008
JHVA1835225H	22 500	.013	.008
JHVA1835236H	23 600	.013	.008
JHVA1835248H	24 800	.013	.008
JHVA1835260H	26 000	.013	.008
JHVA1835273H	27 300	.013	.008
JHVA1835287H	28 700	.013	.008
JHVA1835302H	30 200	.013	.008
JHVA1835316H	31 600	.013	.008

Lee Part Number	Lohm Rate (+/- 5%)	Min. Passage (in.)	Nominal Screen Hole Size (in.)
JHVA1835332H	33 200	.013	.008
JHVA1835349H	34 900	.013	.008
JHVA1835366H	36 600	.013	.008
JHVA1835385H	38 500	.013	.008
JHVA1835404H	40 400	.013	.008
JHVA1835424H	42 400	.013	.008
JHVA1835446H	44 600	.013	.008
JHVA1835468H	46 800	.013	.008
JHVA1825491H	49 100	.009	.006
JHVA1825516H	51 600	.009	.006
JHVA1825542H	54 200	.009	.006
JHVA1825569H	56 900	.009	.006
JHVA1825597H	59 700	.009	.006
JHVA1825627H	62 700	.009	.006
JHVA1825658H	65 800	.009	.006
JHVA1825691H	69 100	.009	.006
JHVA1825726H	72 600	.009	.006
JHVA1825762H	76 200	.009	.006
JHVA1825800H	80 000	.009	.006
JHVA1825840H	84 000	.009	.006
JHVA1825882H	88 200	.009	.006
JHVA1825926H	92 600	.009	.006
JHVA1825972H	97 200	.009	.006
JHVA1825102K	102 000	.009	.006
JHVA1825107K	107 000	.009	.006
JHVA1825113K	113 000	.009	.006
JHVA1825118K	118 000	.009	.006
JHVA1825124K	124 000	.009	.006
JHVA1825130K	130 000	.009	.006
JHVA1815137K	137 000	.006	.004
JHVA1815144K	144 000	.006	.004
JHVA1815151K	151 000	.006	.004
JHVA1815158K	158 000	.006	.004
JHVA1815166K	166 000	.006	.004
JHVA1815175K	175 000	.006	.004
JHVA1815183K	183 000	.006	.004
JHVA1815193K	193 000	.006	.004
JHVA1815202K	202 000	.006	.004
JHVA1815212K	212 000	.006	.004
JHVA1815223K	223 000	.006	.004
JHVA1815234K	234 000	.006	.004
JHVA1815246K	246 000	.006	.004
JHVA1815258K	258 000	.006	.004
JHVA1815271K	271 000	.006	.004
JHVA1815284K	284 000	.006	.004
JHVA1815299K	299 000	.006	.004
JHVA1815313K	313 000	.006	.004