

LEE BOSS MOUNT STRAINERS

The Lee Company's new Boss Mount Strainers are the latest addition to Lee's line of Safety Screens, offering coarse level filtration in a compact, low profile design. Manufactured from 304L stainless steel, the boss mount strainers feature a robust design with a single piece screen element that can withstand differential pressures up to 500 psid without rupture. In addition, the corrugated screen design provides maximum open area for increased dirt holding capacity.

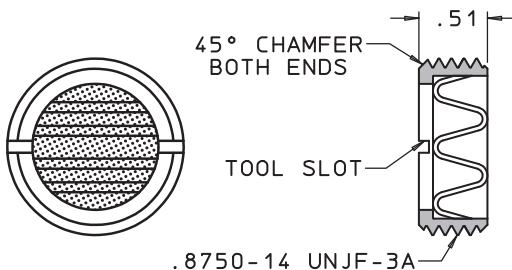
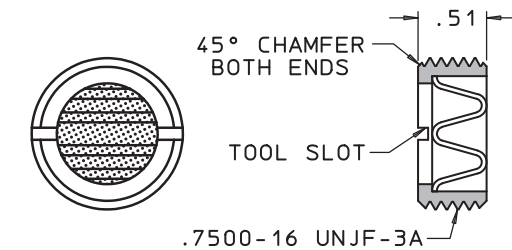
The Lee Boss Mount Strainers are available in 6 different thread sizes ranging from 0.750" to 1.875". With an integral tool slot, these strainers can be easily installed and removed for inspection. In addition, standard screen hole sizes include 0.038" and 0.062", making the Boss Mount Strainers ideal for lubrication systems or any other systems requiring coarse filtration.

All Lee Safety Screens are precision cleaned and packaged before shipment. Special designs are available upon request. Contact your local Lee Sales Engineer for additional information or technical assistance.

- Coarse Level Filtration
- 304L Stainless Steel Construction
- 6 Sizes for Design Flexibility
- Easy Installation and Removal
- Robust, Single Piece Screen Element
- Corrugated Screen Design for Maximum Open Area



MATERIALS		
PART	MATERIAL	SPECIFICATION
Threaded Adapter	304L CRES	AMS 5647
Screen	304L CRES	ASTM A240/A240M
Braze	Silver Alloy	AMS 4774



750 BOSS MOUNT STRAINER

LEE PART NUMBER	HOLE SIZE (in.)	HOLE SIZE (µm)	OPEN AREA (in. ²)	TOTAL AREA (in. ²)	NUMBER OF HOLES	LOHM* RATE (nom.)	BURST PRESSURE (psid min.)	ROB** NUMBER
FSBS7501380A	0.038	965	0.19	0.64	170	6.0	500	5960
FSBS7501620A	0.062	1575	0.19	0.64	64	6.0	500	36870

875 BOSS MOUNT STRAINER

LEE PART NUMBER	HOLE SIZE (in.)	HOLE SIZE (µm)	OPEN AREA (in. ²)	TOTAL AREA (in. ²)	NUMBER OF HOLES	LOHM* RATE (nom.)	BURST PRESSURE (psid min.)	ROB** NUMBER
FSBS8751380A	0.038	965	0.29	0.95	253	3.5	500	8870
FSBS8751620A	0.062	1575	0.29	0.95	95	3.5	500	54850

LEE BOSS MOUNT STRAINERS

106 BOSS MOUNT STRAINER

LEE PART NUMBER	HOLE SIZE (in.)	HOLE SIZE (µm)	OPEN AREA (in. ²)	TOTAL AREA (in. ²)	NUMBER OF HOLES	LOHM ⁺ RATE (nom.)	BURST PRESSURE (psid min.)	ROB ^{**} NUMBER
FSBS1061380A	0.038	965	0.43	1.43	377	2.5	500	13250
FSBS1061620A	0.062	1575	0.43	1.43	142	2.5	500	81960

131 BOSS MOUNT STRAINER

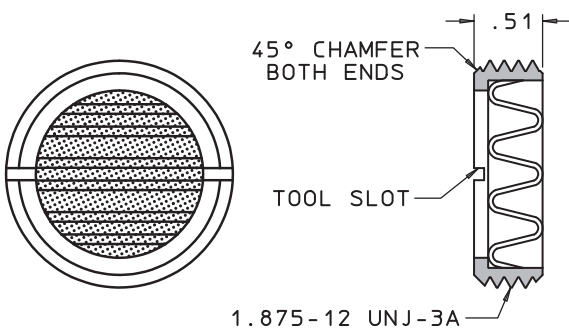
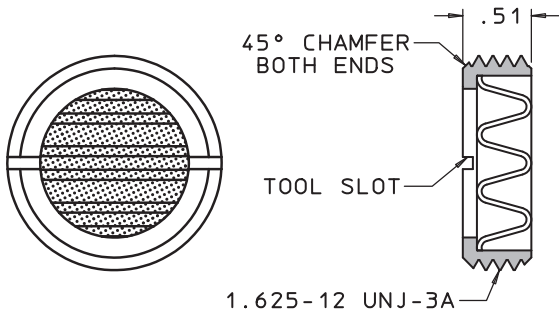
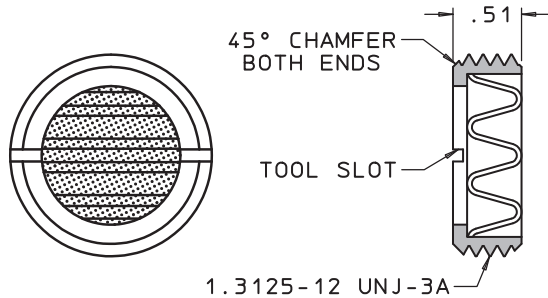
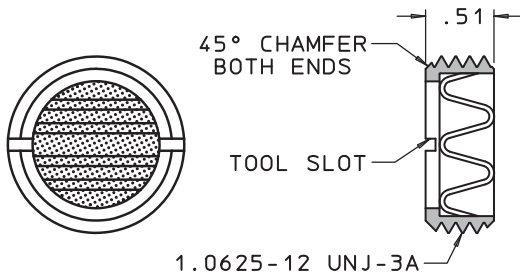
LEE PART NUMBER	HOLE SIZE (in.)	HOLE SIZE (µm)	OPEN AREA (in. ²)	TOTAL AREA (in. ²)	NUMBER OF HOLES	LOHM ⁺ RATE (nom.)	BURST PRESSURE (psid min.)	ROB ^{**} NUMBER
FSBS1311380A	0.038	965	0.72	2.41	640	1.5	500	22340
FSBS1311620A	0.062	1575	0.72	2.41	240	1.5	500	138190

162 BOSS MOUNT STRAINER

LEE PART NUMBER	HOLE SIZE (in.)	HOLE SIZE (µm)	OPEN AREA (in. ²)	TOTAL AREA (in. ²)	NUMBER OF HOLES	LOHM ⁺ RATE (nom.)	BURST PRESSURE (psid min.)	ROB ^{**} NUMBER
FSBS1621380A	0.038	965	1.18	3.94	1040	1.0	500	36580
FSBS1621620A	0.062	1575	1.18	3.94	390	1.0	500	226290

187 BOSS MOUNT STRAINER

LEE PART NUMBER	HOLE SIZE (in.)	HOLE SIZE (µm)	OPEN AREA (in. ²)	TOTAL AREA (in. ²)	NUMBER OF HOLES	LOHM ⁺ RATE (nom.)	BURST PRESSURE (psid min.)	ROB ^{**} NUMBER
FSBS1871380A	0.038	965	1.65	5.49	1450	0.5	500	50960
FSBS1871620A	0.062	1575	1.65	5.49	545	0.5	500	315200



* The Lohm is a measure of flow resistance.
Example: One Lohm will permit a flow of 100 GPM of water at 25 psid at 80°F.

** The ROB (Resistance to Blockage) factor is a system of rating the relative resistance to blockage of safety screens. The higher the ROB number, the more resistance to blockage.

Additional information can be found at www.TheLeeCo.com or by contacting your local Lee Sales Engineer.