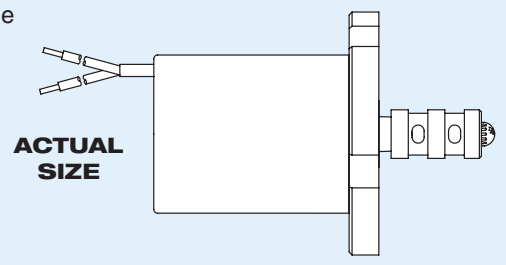
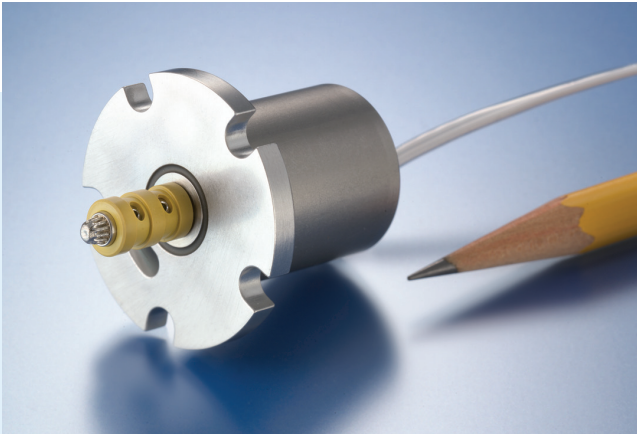


CB SOLENOID VALVE

The Lee Company's new CB Solenoid Valve is economically designed, utilizing a cartridge bobbin coil coupled with our unique MultiSeal™ technology. The MultiSeal radically simplifies port layout by allowing total porting flexibility 360° around the seal, without the need for O-Rings or anti-Extrusion Rings. Weighing just 0.16 pounds, the CB Solenoid valve is a normally closed design that is offered in both single coil and dual coil configurations and with the lead wires exiting either end of the valve.

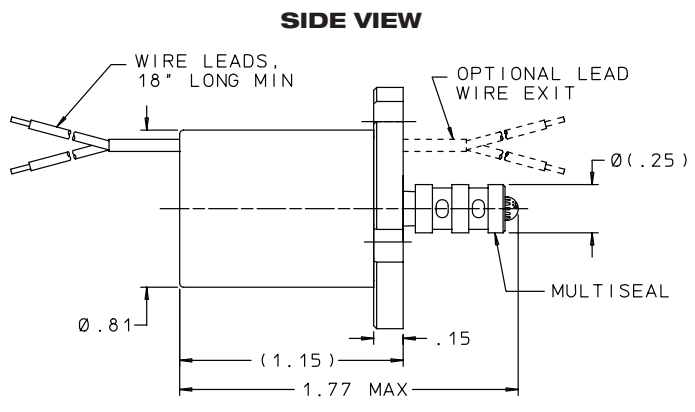
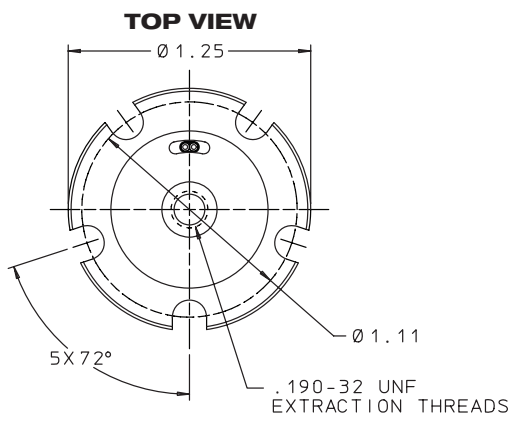
Contact your local Lee sales engineer for additional technical assistance and application information.

- 2 position, 3-way, 3000 psi, normally closed
- Low leakage
- 0.31 GPM minimum at 3000 psi (3500 Lohms)
- Potted coil
- 18-32 Vdc
- -65°F to +275°F temperature range
- Integral safety screen, dimpled
- 5 bolt flange
- 0.16 lbs. maximum weight
- Durable construction



SINGLE COIL, NORMALLY CLOSED VALVES		
PART NUMBER	WIRE EXIT	TEST FLUID
SCBA2531013B	Rear	MIL-PRF-5606, MIL-PRF-83282
SCBA2531003B	Rear	Skydrol
SCBA2531013A	Front	MIL-PRF-5606, MIL-PRF-83282
SCBA2531003A	Front	Skydrol

DUAL COIL, NORMALLY CLOSED VALVES		
PART NUMBER	WIRE EXIT	TEST FLUID
SCBA2532013B	Rear	MIL-PRF-5606, MIL-PRF-83282
SCBA2532003B	Rear	Skydrol
SCBA2532013A	Front	MIL-PRF-5606, MIL-PRF-83282
SCBA2532003A	Front	Skydrol



CB SOLENOID VALVE

SPECIFICATIONS

Type:	2 position, 3-way, normally closed, cartridge bobbin	Voltage:	18-32 Vdc
Pressure:	3000 psid operating 4500 psi proof 7500 psi burst	Current Drain	Single Coil - 0.28 Amps at 28Vdc and 70°F (7.8 watts) Dual Coil - 0.35 Amps per coil at 28Vdc and 70°F (9.8 watts)
Temperature:	-65°F to +275°F	Weight	0.16 lbs. maximum
Flow:	0.31 GPM minimum at 3000 psid (3500 Lohms)	Materials	Magnetic path - Chrome Core® 18-FM* Flow path - Stainless steels MultiSeal - Polyamide-imide
Leakage:	2 cc/min maximum internal at 3000 psi, zero external	* Chrome Core® is a registered tradename of CRS Holdings, Inc., a subsidiary of Carpenter Technology Corporation	

INSTALLATION HOLE

