

DUAL SEALING A.F.O. PLUG

The Lee Dual Sealing A.F.O. (axial force only) Plug offers a leak-tight, metal to metal seal in high pressure applications and also incorporates an O-ring for venting. Pressure can be vented out a side port to remove air from a hydraulic system or safely release trapped high pressure gas.

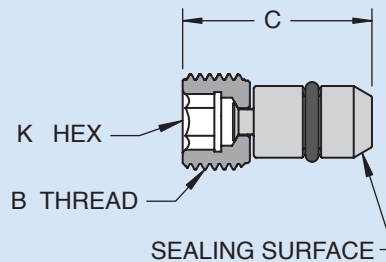
NACE Compatible Plugs

To meet the special demands of the oil and gas industries, NACE compatible Dual Sealing A.F.O. Plugs are also available. These plugs conform to NACE MR0175 and offer exceptional corrosion resistance and sealing performance in high pressure, high temperature applications. Specifications for NACE compatible Dual Sealing A.F.O. Plugs are provided on the back of this page.

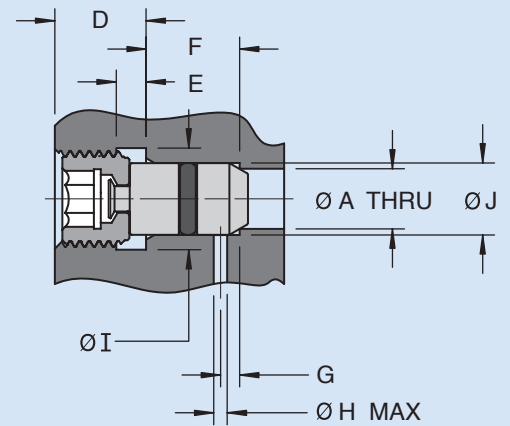
- Reusable – allows easy access to sealed passageways
- Seals up to 56,000 psi
- Floating seal self aligns – prevents galling
- Axial Force Only – small boss size
- Custom designs considered



DUAL SEALING A.F.O. PLUG



INSTALLATION HOLE



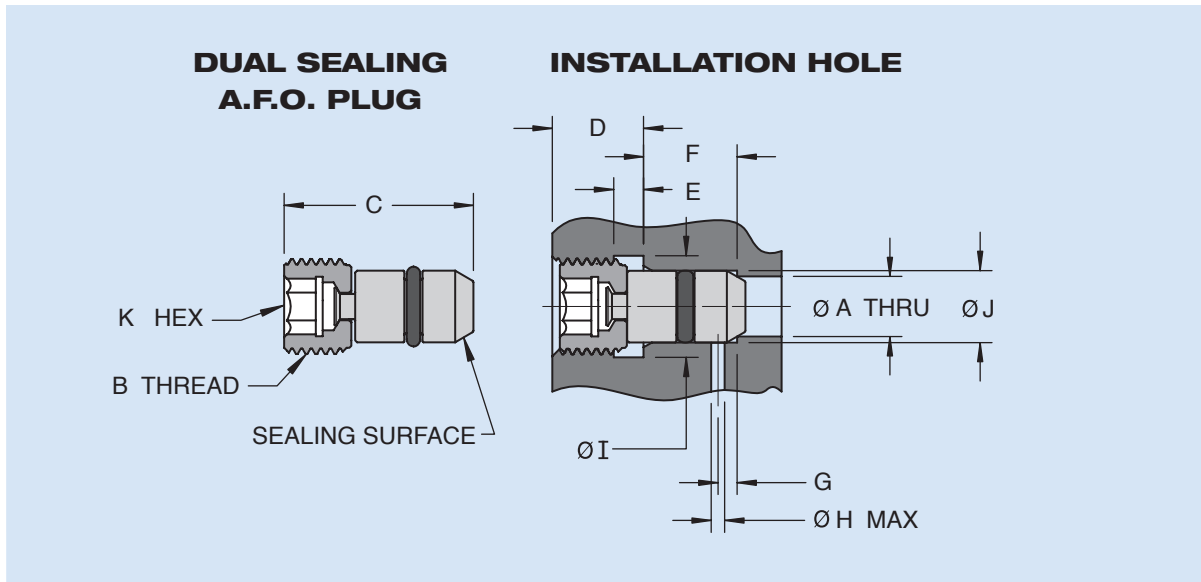
MATERIALS	
PART	MATERIAL
Body	303 CRES
Nose	15-5 PH
O-Ring	70-80 durometer Viton®

LEE PART NUMBER	DIMENSIONS (in inches)										
	A	B	C	D	E	F	G	H (max.)	I	J	K
PLAA2528110A	.120 - .130	.250-28	.593	.252	.090	.319	.060	.067	.280	.182	.125
PLAA5020110A	.308 - .318	.500-20	.967	.476	.156	.487	.100	.070	.530	.376	.250
PLAA7516110A	.526 - .536	.750-16	1.269	.634	.195	.608	.125	.100	.780	.626	.375

LEE PART NUMBER	PROOF PRESSURE (psi)						Coining Tool Part Number
	Stainless Steel Housing		AISI 8630 Housing		Aluminum Housing		
	Open	Closed	Open	Closed	Open	Closed	
PLAA2528110A	1,500	56,000	1,500	56,000	1,500	26,000	CUTA2500263A
PLAA5020110A	1,500	54,000	1,500	54,000	1,500	24,000	CUTA5000263A
PLAA7516110A	1,500	50,000	1,500	50,000	1,500	20,000	CUTA7500263A

Viton® is a registered trademark of DuPont Performance Elastomers.

NACE Compatible Dual Sealing A.F.O. PLUG



MATERIALS	
PART	MATERIAL
Body	MP35N per NACE MR0175
Nose	MP35N per NACE MR0175
O-Ring	70-80 durometer Viton®

LEE PART NUMBER	DIMENSIONS (in inches)										
	A	B	C	D	E	F	G	H (max.)	I	J	K
PLAA2528120A	.120 - .130	.250-28	.593	.252	.090	.319	.060	.067	.280	.182	.125
PLAA5020120A	.308 - .318	.500-20	.967	.476	.156	.487	.100	.070	.530	.376	.250
PLAA7516120A	.526 - .536	.750-16	1.269	.634	.195	.608	.125	.100	.780	.626	.375

LEE PART NUMBER	PROOF PRESSURE (psi)						Coining Tool Part Number
	Stainless Steel Housing		AISI 8630 Housing		Aluminum Housing		
	Open	Closed	Open	Closed	Open	Closed	
PLAA2528120A	1,500	56,000	1,500	56,000	1,500	26,000	CUTA2500263A
PLAA5020120A	1,500	54,000	1,500	54,000	1,500	24,000	CUTA5000263A
PLAA7516120A	1,500	50,000	1,500	50,000	1,500	20,000	CUTA7500263A