

## LFV SERIES PFE MICRO INERT VALVE (MIV)

### Vacuum Rated Model

The new Vacuum Rated LFV Series MIV is a 2-way, normally closed, chemically inert solenoid valve that is ideal for fluidic circuits that will see both positive and negative pressures, such as pump inlet/outlet valves. The fluidic side of the valve is isolated from the coil and plunger by a chemically inert PFE (fkkm) membrane. This prevents metal contact with the fluid and reduces heat transfer from the coil to the fluid.

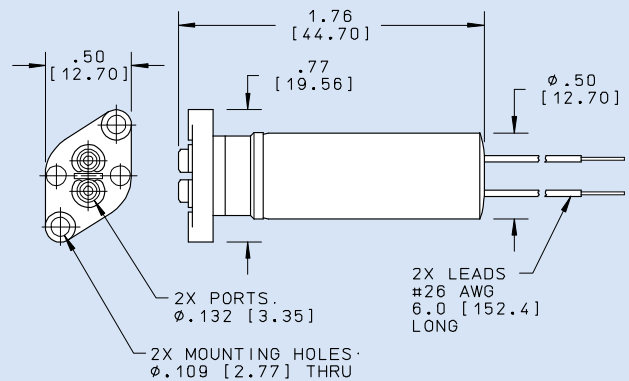
Available in three mounting styles, vacuum rated LFV Series valves feature bidirectional flow and contoured internal passages, allowing complete flushing and smooth transitions throughout the valve. In addition, the small internal volume minimizes sample and reagent requirements.

LFV Series valves are also available in other wetted materials (EPDM, FKM). For more information, please see the Lee Electro Fluidic Systems Handbook (Release 7.1) or contact your Lee Sales Engineer.

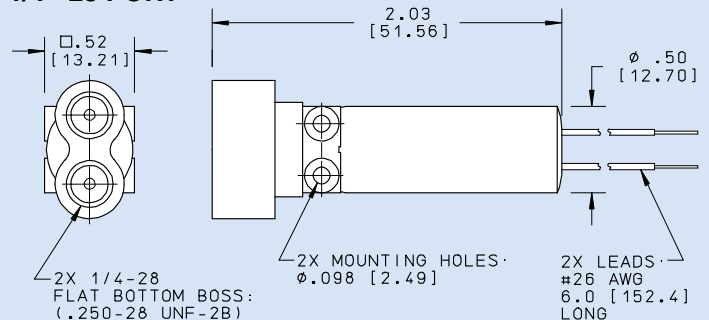
- Wetted materials: PFE and PEEK
- Low power: 1.4 watts
- Continuous duty
- Internal volume as low as 11 microliters
- Zero dead volume
- 60 ms response time
- Pressure Range: 25 inches Hg vacuum – 20 psig
- Operating Life: 5 million cycles minimum



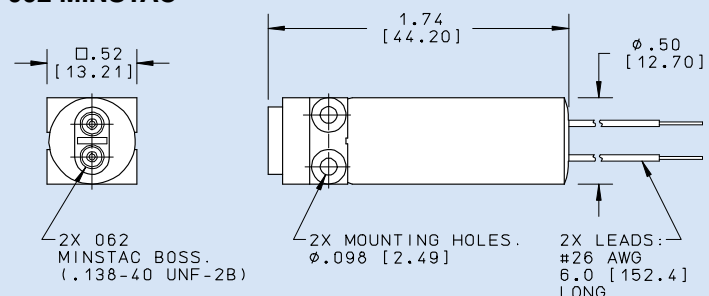
#### MANIFOLD MOUNT



#### 1/4 - 28 PORT



#### 062 MINSTAC®\*



Mounting System	Voltage (vdc)	Lohms (CV)	Internal Volume (µL)	Part Number
Manifold Mount	12	900 (.022)	21	LFVA1250410H
	24	900 (.022)	21	LFVA2450410H
1/4 - 28 Port	12	1300 (.015)	43	LFVA1230413H
	24	1300 (.015)	43	LFVA2430413H
062 MINSTAC*	12	2000 (.010)	11	LFVA1210420H
	24	2000 (.010)	11	LFVA2410420H

\* For more information on the complete line of MINSTAC tubing and components, visit [www.TheLeeCo.com](http://www.TheLeeCo.com).