

LPG INERT SOLENOID PUMP

The Lee Company's new LPG Series Inert Solenoid Pump is the latest addition to Lee's line of fixed volume dispense pumps. This new pump was designed to offer greater design flexibility and significant cost savings to the medical and scientific industries. It is available in standard 100 μ L and 175 μ L dispense volumes, but special volumes are available for OEM applications.

The LPG pump features a revolutionary port head design that allows tubing connections and manifold mounting. This enables the designer to test the fluidic system using connections to soft 3/32" tubing, and then once the system design has been finalized, the same pump can be manifold mounted using standard O-rings.

The electrical interface of the LPG Inert Solenoid Pump features a contoured end cap that provides secondary connector retention and is compatible with standard AMP® connectors. The Lee Company offers compatible lead wire sets in two different lengths:

- 6" lead wire set: LSWX0504300A
- 24" lead wire set: LSWX0606700A

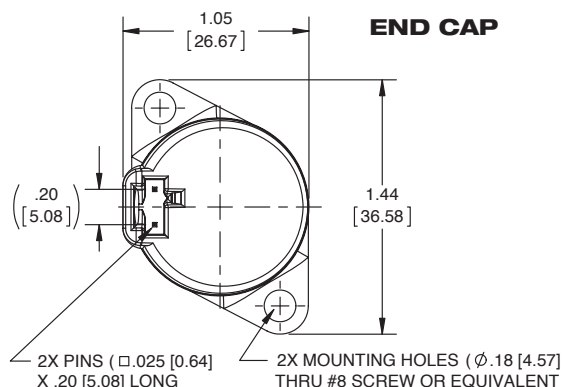
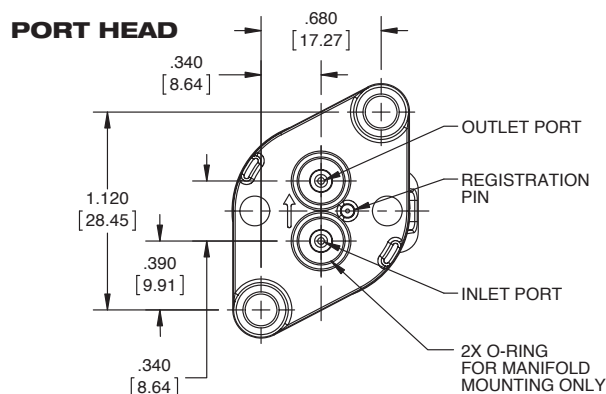
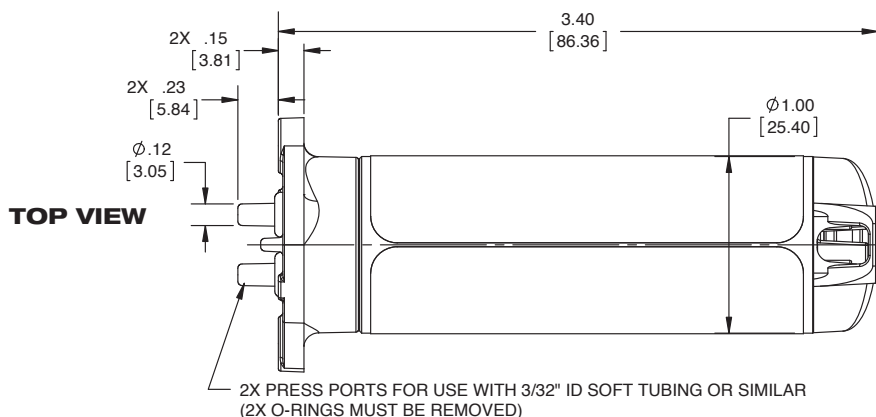
Contact your local Lee Sales Engineer for additional technical assistance and application information.

- Speed: 5 Hz (52.5 mL/minute max.)
- Low Power Consumption:
Mean: 3.5 Watts, Continuous: 7 Watts
- 12 or 24 Volt Operation
- Standard Dispense Volumes (+/- 10 μ L):
175 μ L per shot, 100 μ L per shot
- Total Head Pressure Range: \pm 60 in. H₂O
- Fluidic Interface: 3/32" ID Tubing or Manifold Mount
- End Cap with Electrical Connector Retention
- Other Volumes Available as Custom Designs
- Integrated Check Valves

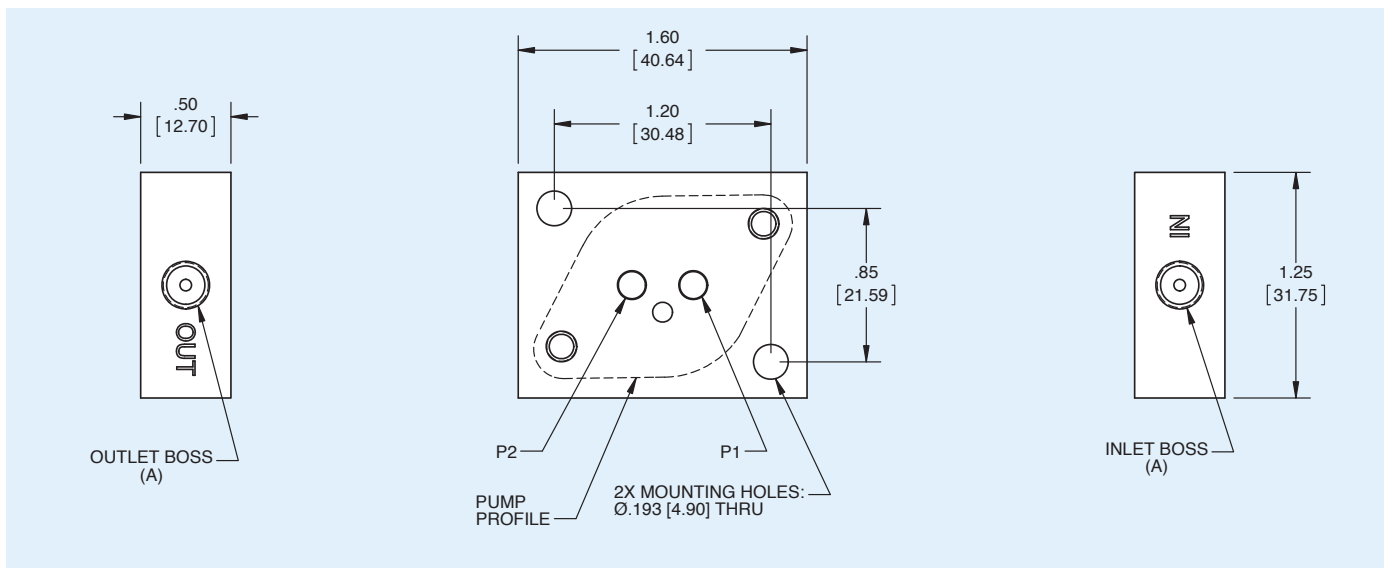


- Self-Priming
- Wetted Materials:
Housing: PEEK
Elastomer: FKM or EPDM
- Small Footprint

PART NUMBER	VOLUME (μ L)	ELASTOMER	VOLTAGE (vdc)
LPGA1250618D	175	FKM	12
LPGA2450618D	175	FKM	24
LPGA1251618D	175	EPDM	12
LPGA2451618D	175	EPDM	24
LPGA1250010D	100	FKM	12
LPGA2450010D	100	FKM	24
LPGA1251010D	100	EPDM	12
LPGA2451010D	100	EPDM	24



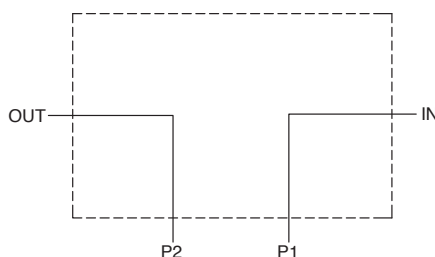
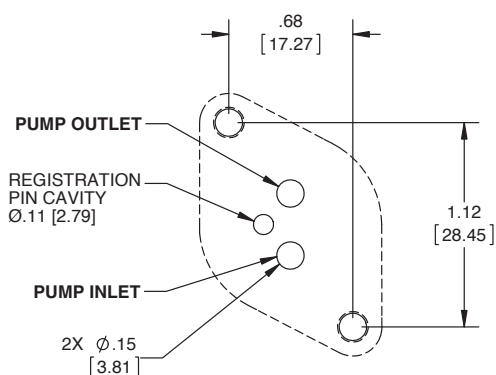
LPG 1-PLACE MANIFOLD ADAPTERS



PART NUMBER	PORTS (A)	MATERIAL
LSMX0519110A	1/4-28	PEEK
LSMX0519120A	1/4-28	PMMA

Reference Drawing Number LSMX0519100A for 1/4-28 Boss Details

Adapter manifolds are available for design prototyping. This allows the fluidic system to be designed, built up and tested, all prior to the final manifold design. The adapter manifolds can be used for "breadboarding" and the LPG pump can then be transferred to the final manifold. Custom manifolds can be engineered for OEM applications. Contact your Lee Sales Engineer for more information.



FLOW SCHEMATIC

Reference Drawing Number LSIX1001490A for Pump Boss Details.

The LPG Inert Solenoid Pump is just one part of The Lee Company's complete line of precision fluid control products that includes miniature solenoid valves, micro dispense valves and nozzles, fixed and variable volume dispense pumps, integrated manifolds and other precision fluid handling components. The Lee Company's extensive research facilities and experienced teams of engineers

keep the company at the forefront of fluid control technology. In addition, Lee maintains an international network of sales engineers ready to assist you in solving your fluid control problems. For more information, contact a Lee Sales Engineer today, or visit www.theleeco.com.