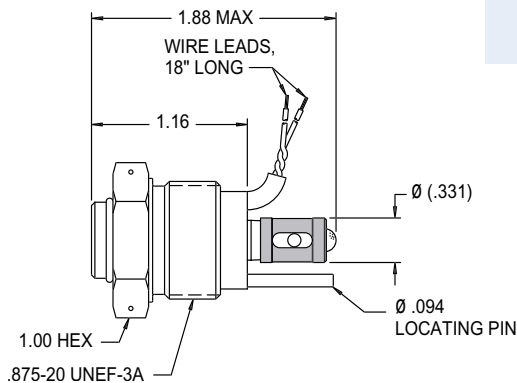


## MINIATURE 2-WAY HIGH FLOW SOLENOID VALVE

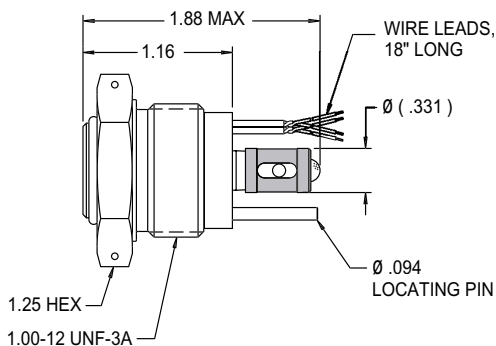
A natural evolution of our field proven piloting solenoid valves, these miniature high flow valves set a new standard in reducing space, weight, and power consumption. Valve elements are based on the low leakage, high reliability designs used in Lee check and shuttle valves. Our MultiSeal\* radically simplifies port layout, offers significant space savings, reduced machining costs and higher reliability than traditional sealing methods.

\* Patented

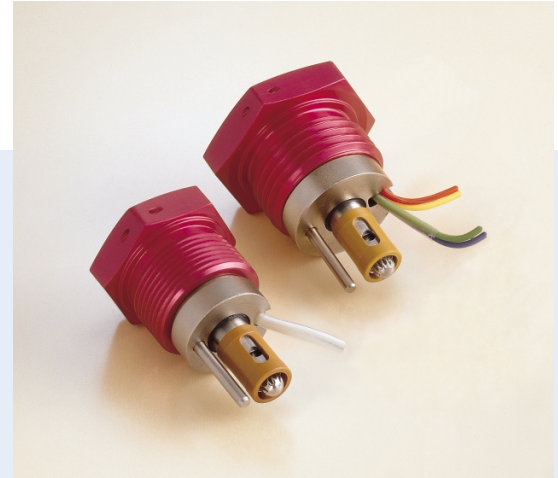
2-Way, Single Coil Solenoid Valve



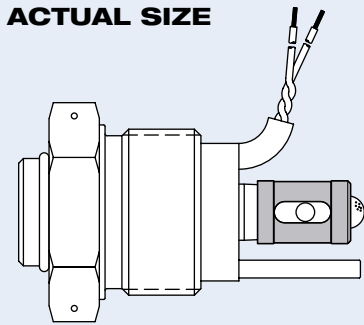
2-Way, Dual Coil Solenoid Valve



- 2 Position, 2-way, 3000 psi
- Up to 6.0 GPM of flow at 3000 psid (200 Lohms)
- Single coil or Dual coil
- 18 - 32 Vdc, 9.8 watts maximum
- -65° to +275° F temperature range
- Integral safety screen, .004 inch hole size
- Captive retainer nut (no special tools required)
- 0.25 lbs. maximum weight



ACTUAL SIZE



SINGLE COIL VALVES		
PART NUMBER	TYPE	TEST FLUID **
SDBB3321003A	Normally Closed	Skydrol
SDBB3321013A	Normally Closed	MIL-H-5606, MIL-H-83282
SDBB3321002A	Normally Open	Skydrol
SDBB3321012A	Normally Open	MIL-H-5606, MIL-H-83282

DUAL COIL VALVES		
PART NUMBER	TYPE	TEST FLUID **
SDBB3322003A	Normally Closed	Skydrol
SDBB3322013A	Normally Closed	MIL-H-5606, MIL-H-83282
SDBB3322002A	Normally Open	Skydrol
SDBB3322012A	Normally Open	MIL-H-5606, MIL-H-83282

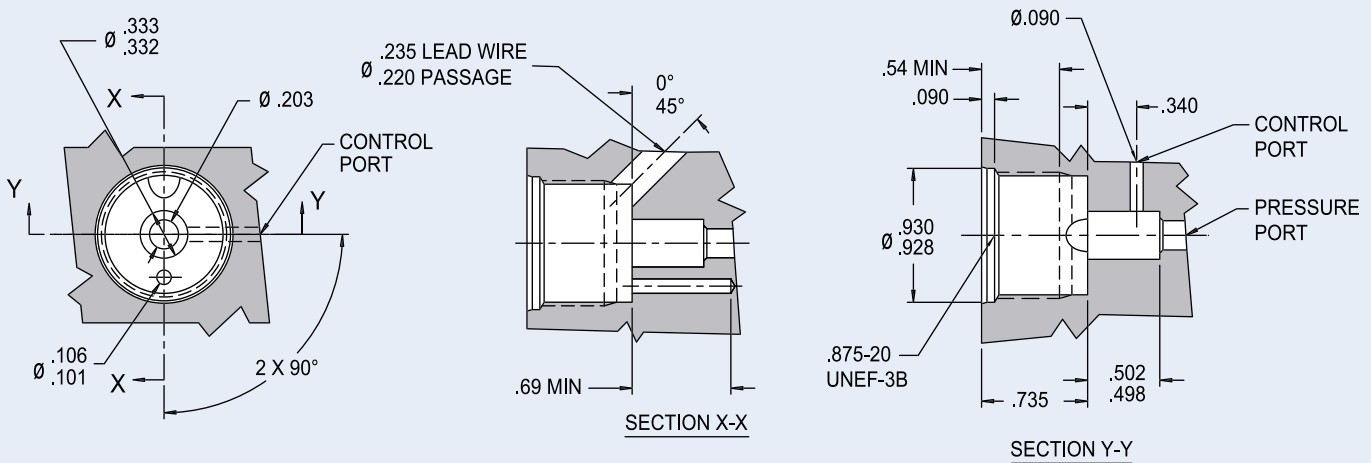
\*\* Special valves can also be supplied for other fluids such as fuel and water based control fluids.

# MINIATURE 2-WAY HIGH FLOW SOLENOID VALVE

## SPECIFICATIONS

Type:	2 position, 2-way	Leakage:	2 cc/min maximum internal at 3000 psid zero external
Pressure:	3000 psid operating 4500 psi proof 7500 psi burst	Voltage:	18 Vdc to 32 Vdc
Temperature:	-65° F to +275° F	Current Drain:	Single Coil – 0.28 Amps at 28 Vdc and 70° F (7.8 watts) Dual Coil – 0.35 Amps per coil at 28 Vdc and 70° F (9.8 watts)
Flow:	6.0 GPM minimum of MIL-H-83282 at 3000 psid (200 Lohms)	Weight:	0.25 lbs. maximum
		Materials:	Magnetic path – Nickel plated Silicon Iron Flow path – Stainless steels MultiSeal – Polyamide-imide Threaded retainer – Anodized aluminum

## INSTALLATION HOLE - 2-WAY, SINGLE COIL SOLENOID VALVE



## INSTALLATION HOLE - 2-WAY, DUAL COIL SOLENOID VALVE

