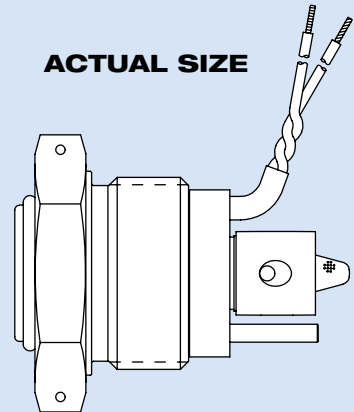


## MINIATURE 3-WAY HIGH FLOW SOLENOID VALVE

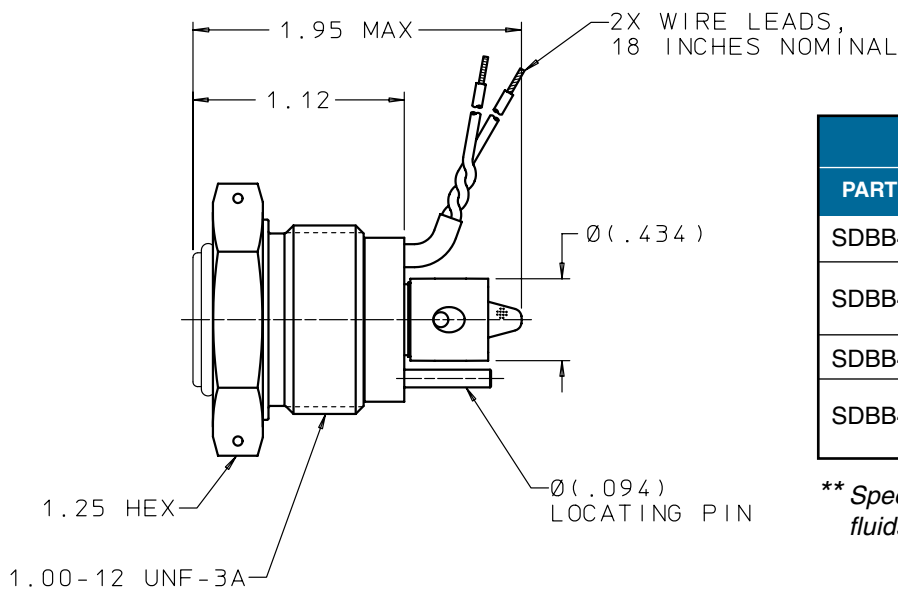
A natural evolution of our field proven piloting solenoid valves, these miniature high flow valves set a new standard in reducing space, weight, and power consumption. Valve elements are based on the low leakage, high reliability designs used in Lee check and shuttle valves. Our MultiSeal\* radically simplifies port layout, offers significant space savings, reduced machining costs and higher reliability than traditional sealing methods.

\* Patented

- 2 position, 3-way, 3000 psi
- 4.0 GPM minimum flow at 3000 psid (300 Lohms)
- Single coil
- 18 - 32 Vdc, 7.8 watts
- -65° to +275° F temperature range
- Integral safety screen, .004 inch hole size
- Captive retainer nut (no special tools required)
- 0.24 lbs. maximum weight



### 3-Way, Single Coil Solenoid Valve



| SINGLE COIL VALVES |                 |                             |
|--------------------|-----------------|-----------------------------|
| PART NUMBER        | TYPE            | TEST FLUID **               |
| SDBB4331003A       | Normally Closed | Skydrol                     |
| SDBB4331013A       | Normally Closed | MIL-PRF-5606, MIL-PRF-83282 |
| SDBB4331002A       | Normally Open   | Skydrol                     |
| SDBB4331012A       | Normally Open   | MIL-PRF-5606, MIL-PRF-83282 |

\*\* Special valves can also be supplied for other fluids such as fuel and water based control fluids.

# MINIATURE 3-WAY HIGH FLOW SOLENOID VALVE

## SPECIFICATIONS

|              |   |                |  |
|--------------|---|----------------|--|
| Type:        | 2 position, 3-way                                       | Leakage:       | 2 cc/min maximum internal at 3000 psid<br>zero external  |
| Pressure:    | 3000 psid operating<br>4500 psi proof<br>7500 psi burst | Voltage:       | 18 Vdc to 32 Vdc   |
| Temperature: | -65° F to +275° F                                       | Current Drain: | 0.28 Amps at 28 Vdc and 70° F (7.8 watts)  |
| Flow:        | 4.0 GPM minimum at<br>3000 psid (300 Lohms)             | Weight:        | 0.24 lbs. maximum  |
|              |   | Materials:     | Magnetic path – Nickel plated Silicon Iron<br>Flow path – Stainless steels<br>MultiSeal – Polyamide-imide<br>Threaded retainer – Anodized aluminum |

## INSTALLATION HOLE - 3-WAY, SINGLE COIL SOLENOID VALVE

