

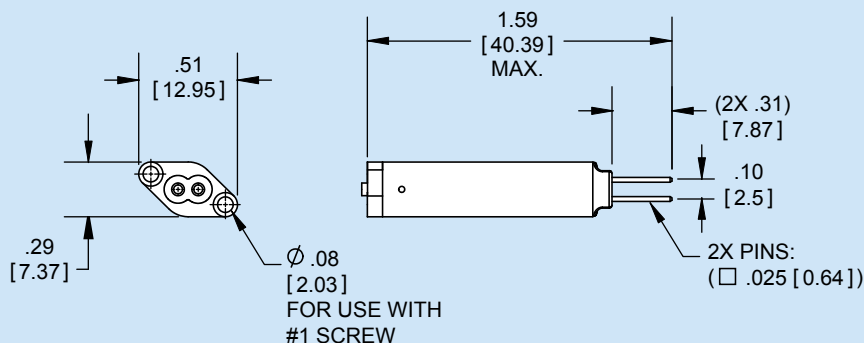
## SERIES 300 2-WAY MICRO INERT VALVE

The Lee S-300 Micro Inert Valve incorporates many of the proven features of Lee's standard-setting LFV Series valves, in a smaller more compact package.

Available in three standard material combinations for design flexibility, the S-300 valve features a compact, manifold mount design that minimizes the space and material needed for the manifold, reducing overall system volume. A unique "retained" gasket further simplifies assembly, eliminating missing or doubled gasket problems.

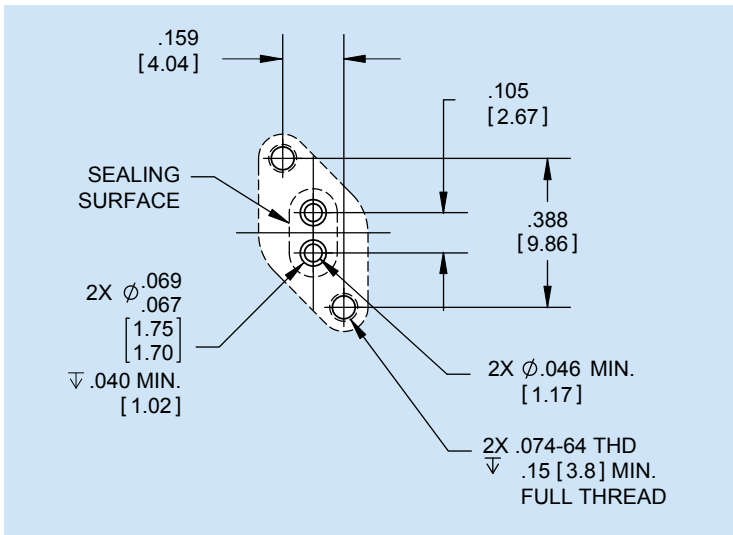
Two standard manifolds are available for application development. A single place manifold allows the valve to be tested on a "breadboard" set-up and then used on a manifold. This allows the fluidic circuit to be tested and proven prior to committing to a manifold design. The four place manifold allows four individually controlled inlets to feed into a common outlet for mixing applications. Custom engineered manifolds are also available for specific applications. Contact your Lee Sales Engineer for more information.

- Compact Size: 0.300" Center to Center Mounting
- Low Internal Volume: 13 $\mu$ l Port to Port
- Zero Dead Volume
- 30 psi Operating Pressure
- 20 ms Response Time
- 2500 Lohms (0.008 Cv)
- Max Flow: 165 ml/min (Water @ 30 psi)
- Low Power Consumption: 900 mW



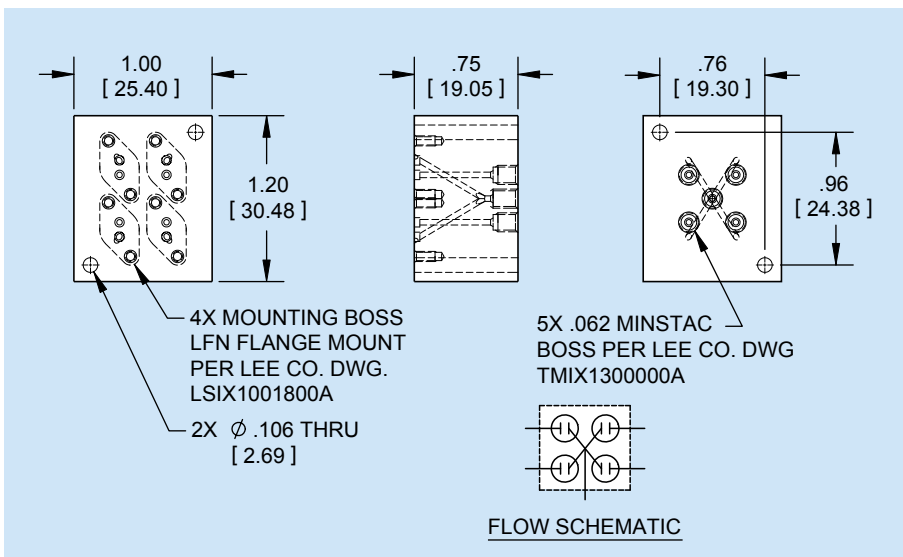
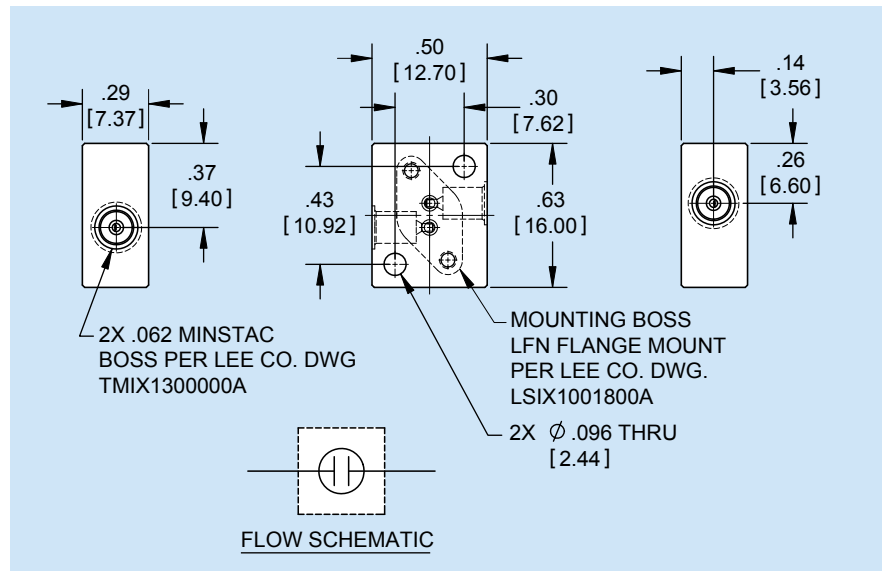
LEE Part Number	Operating Voltage (vdc)	Wetted Materials	Operating Pressure (psig)
LFNA2450325H	24	FFKM/PEEK	2-30
LFNA1250325H	12	FFKM/PEEK	2-30
LFNA2450225H	24	EPDM/PEEK	Vac-30
LFNA1250225H	12	EPDM/PEEK	Vac-30
LFNA2450125H	24	FKM/PEEK	Vac-30
LFNA1250125H	12	FKM/PEEK	Vac-30

# SERIES 300 2-WAY MICRO INERT VALVE



The LFNX boss is designed to simplify manifold construction. Manifold thickness is minimized, reducing fluid transport volumes and manifold material. (For full mounting boss details, use Lee drawing LSIX1001800A).

An adaptor manifold (LSMX0509700B) is available for design prototyping. This allows the fluidic system to be designed, built up and tested, all prior to manifold construction. The same LFNX valve can later be used on the manifold system.



Lee 4 place manifolds (LSMX0512650B) allow 4 valves to be mounted with a single common outlet port and 4 individually controlled inlet ports.