



Dynamic  
4-14 years

# Dynamic 4-14 years

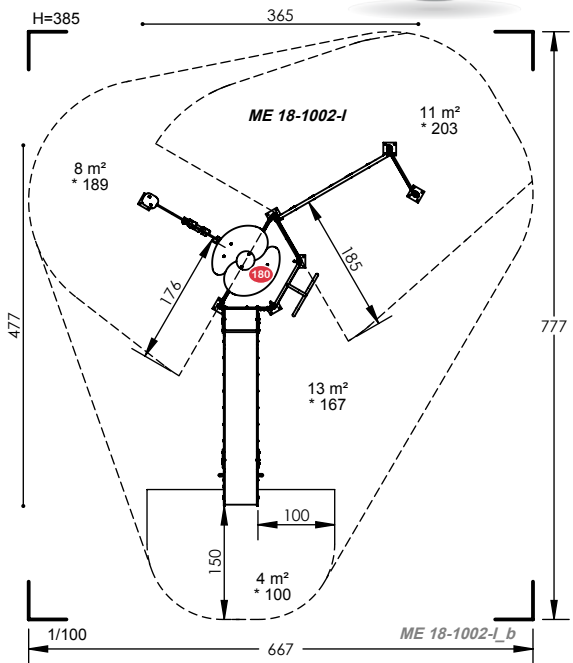
The Dynamic range creates an innovative environment dedicated to children's play giving children from 4 to 14 years old the chance to climb, scale, jump, hang and slide, with components including slide, double banister slide, and sliding pole.

## Colour Options:

Our units can be coloured in any of the colour combinations shown:

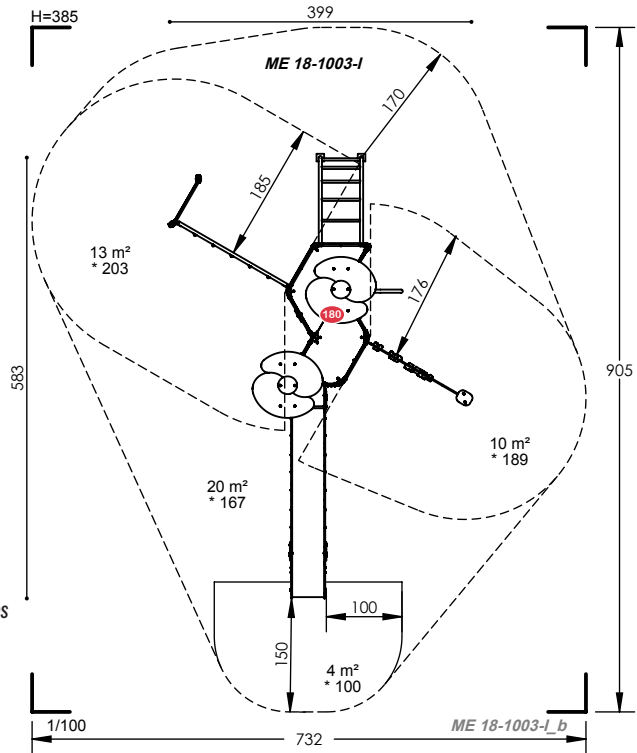


### ME 18-1002



- 4 to 14 Years
- 16 Users
- 2.03m Fall Height
- 10 to 12 Hours
- 11 Play Activities

### ME 18-1003



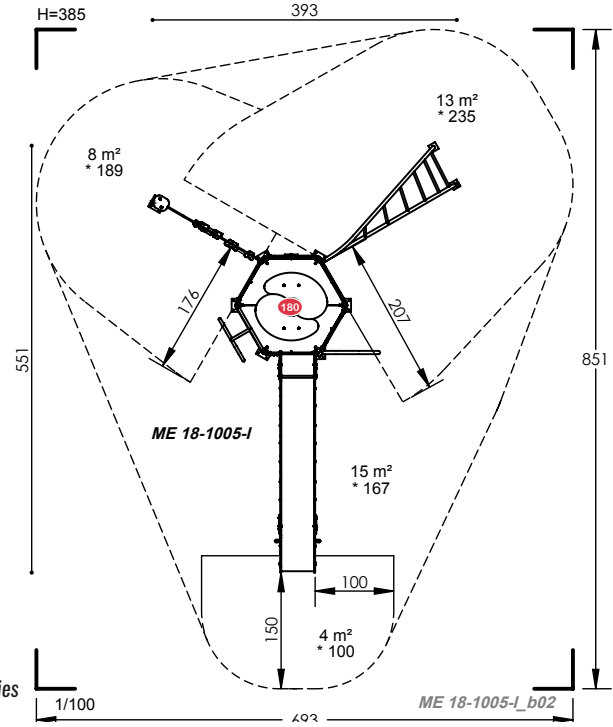
- 4 to 14 Years
- 16 Users
- 2.03m Fall Height
- 12 to 14 Hours
- 12 Play Activities

V: [www.monsterplay.co.uk](http://www.monsterplay.co.uk)

# ME 18-1005

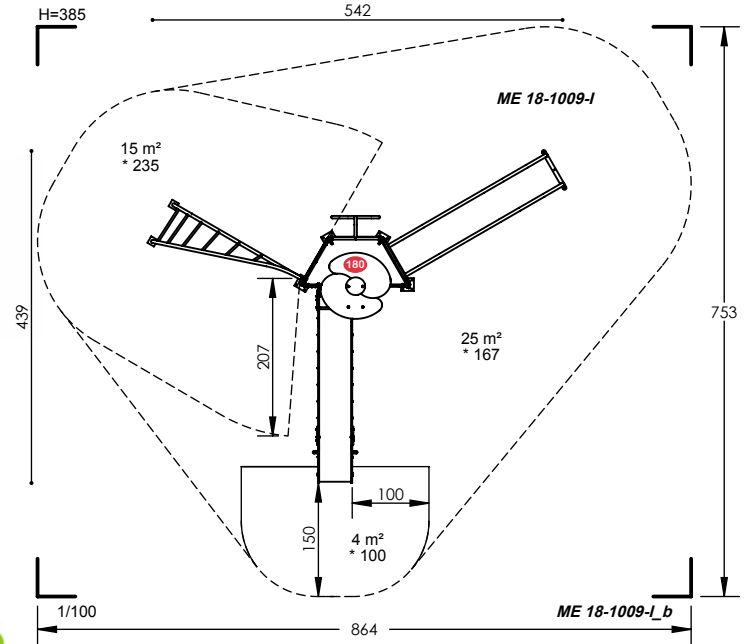


Any unit can be a different colour to suit your playground.



- 4 to 14 Years
- 16 Users
- 2.35m Fall Height
- 10 to 12 Hours
- 10 Play Activities

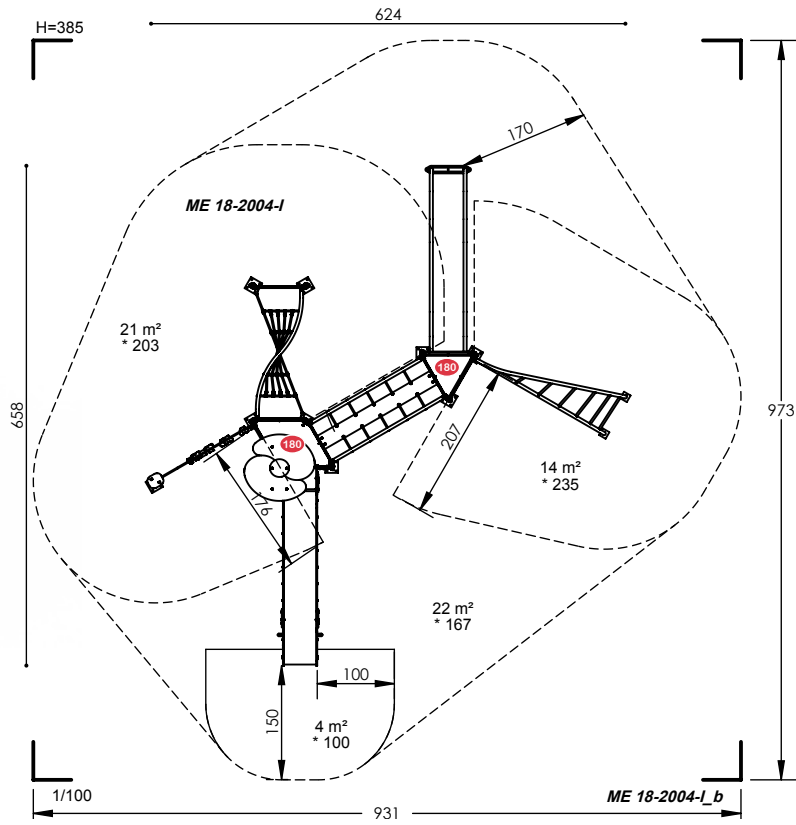
# ME 18-1009



- 4 to 14 Years
- 12 Users
- 2.35m Fall Height
- 8 to 10 Hours
- 7 Play Activities

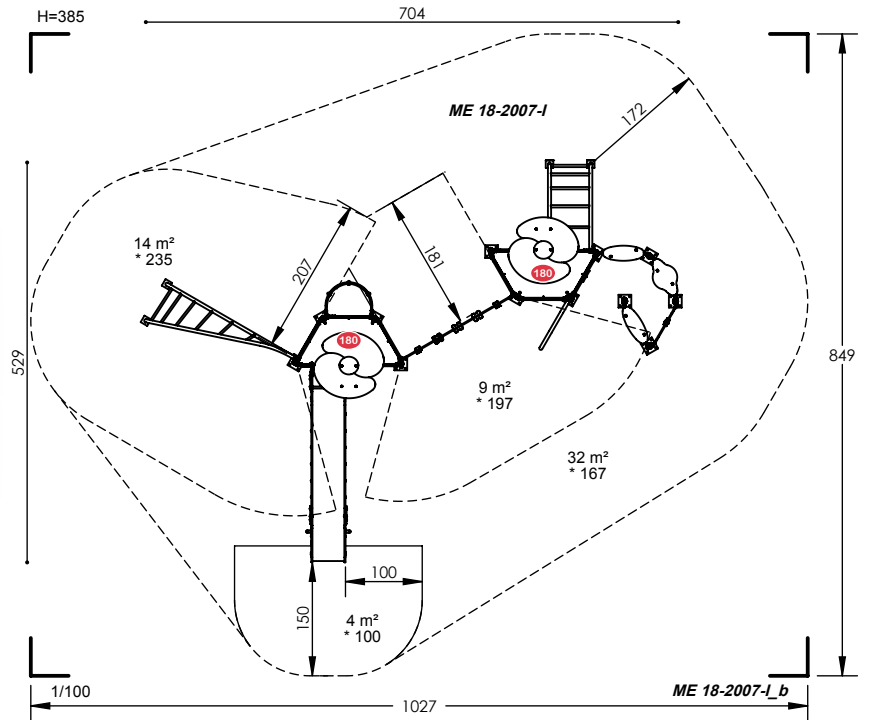


# ME 18-2004



4 to 14 Years 
 20 Users 
 2.35m Fall Height 
 16 to 18 Hours 
 12 Play Activities

# ME 18-2007

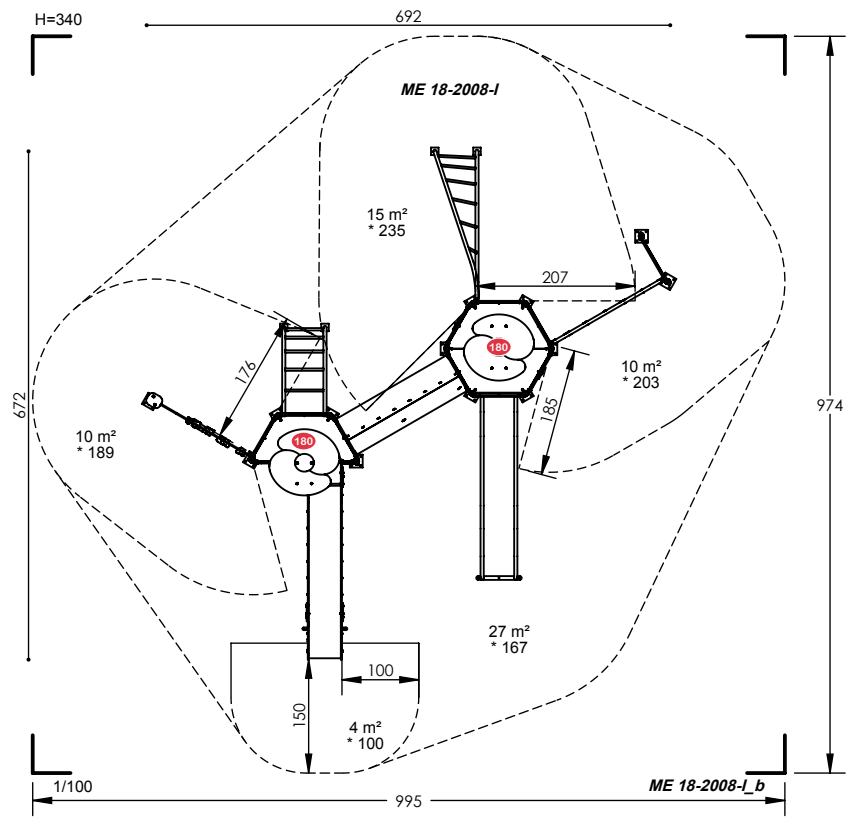


4 to 14 Years 
 20 Users 
 2.35m Fall Height 
 18 to 20 Hours 
 14 Play Activities

ME 18-2008



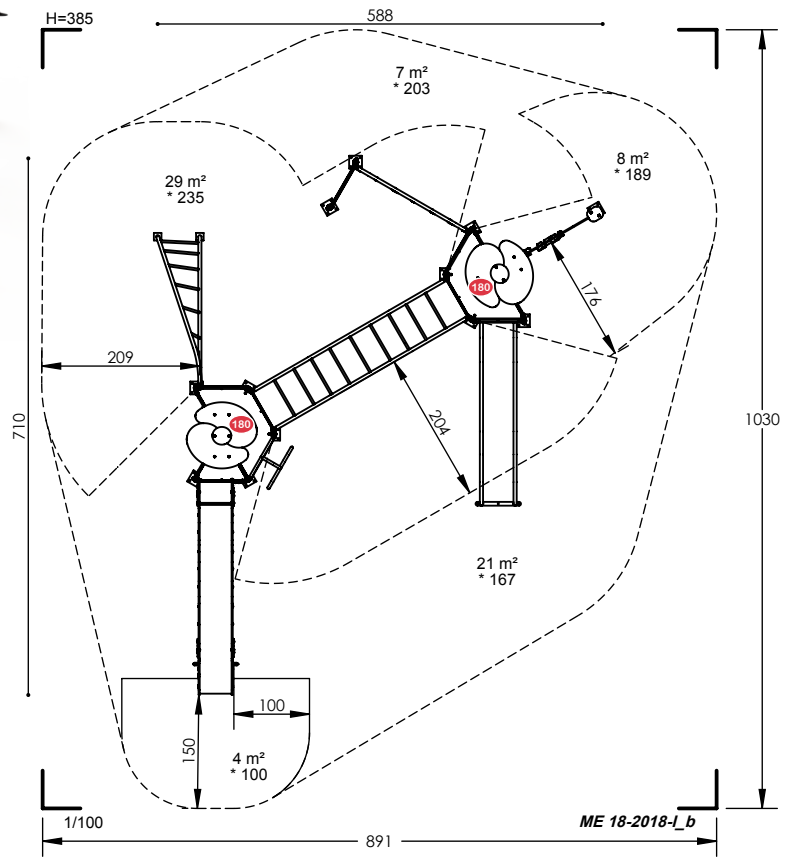
Any unit can be a different colour to suit your playground.



- 4 to 14 Years
- 20 Users
- 2.35m Fall Height
- 18 to 20 Hours
- 20 Play Activities



# ME 18-2018

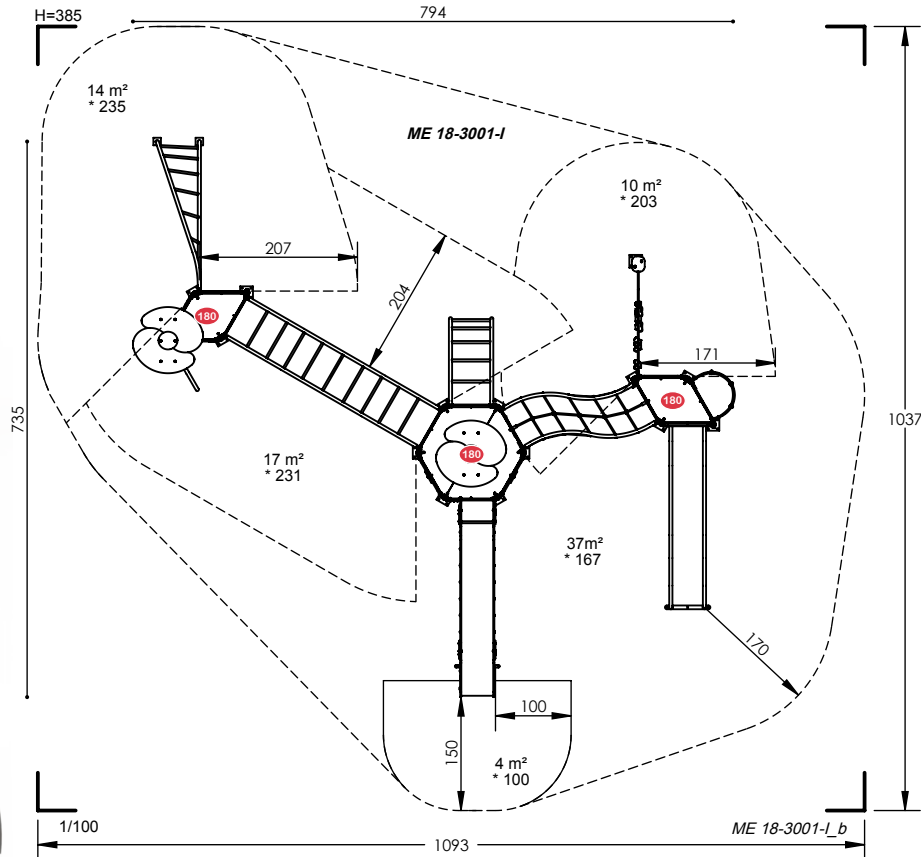


4 to 14 Years
 22 Users
 2.35m Fall Height
 18 to 20 Hours
 16 Play Activities

# ME 18-3001



Any unit can be a different colour to suit your playground.

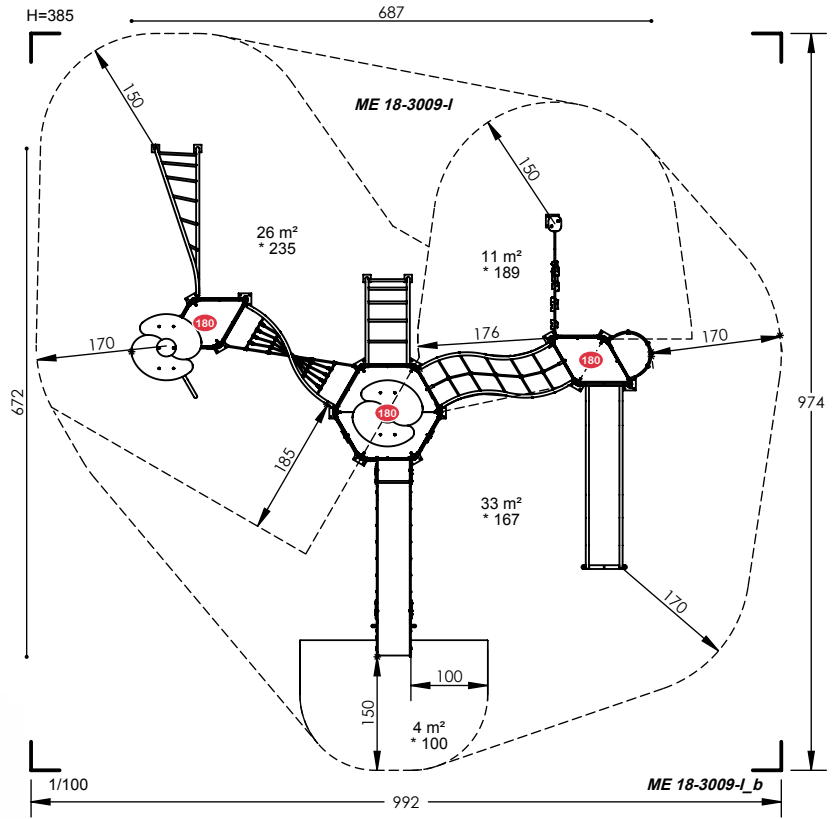


4 to 14 Years
 28 Users
 2.35m Fall Height
 22 to 24 Hours
 17 Play Activities

Did you know we also number each component on your multi play unit, so if you ever need a replacement part we know exactly what you require.



# ME 18-3009

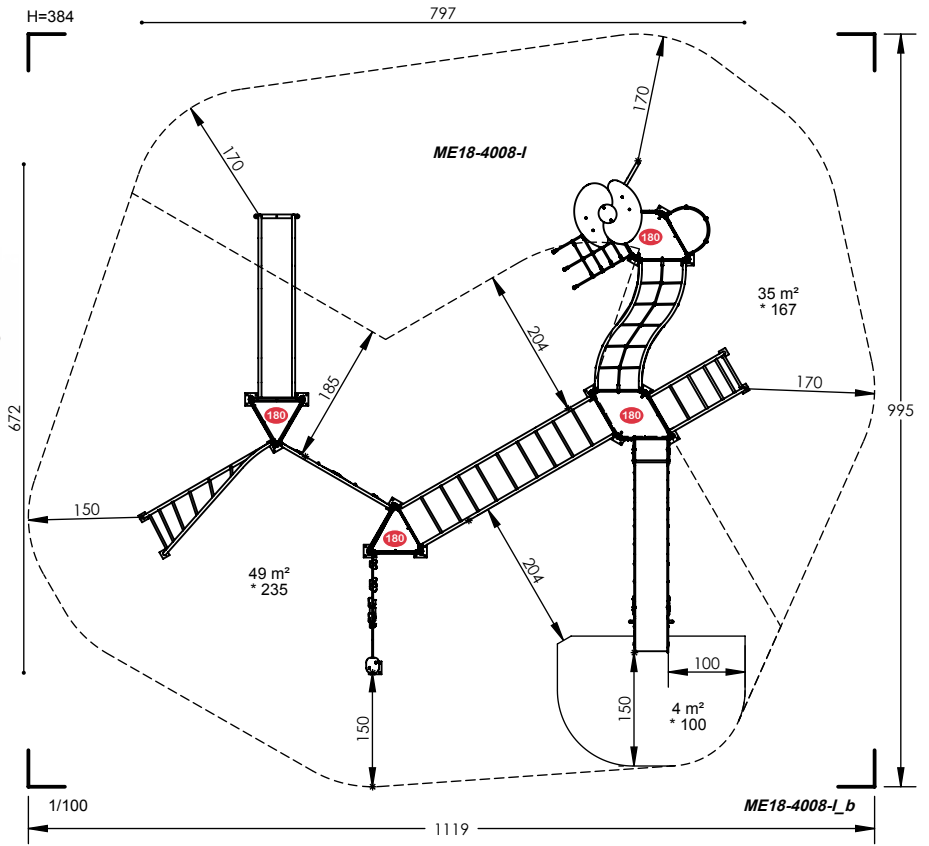


- 4 to 14 Years
- 35 Users
- 2.35m Fall Height
- 26 to 28 Hours
- 18 Play Activities





# ME 18-4008



- 4 to 14 Years
- 35 Users
- 2.35m Fall Height
- 26 to 28 Hours
- 18 Play Activities

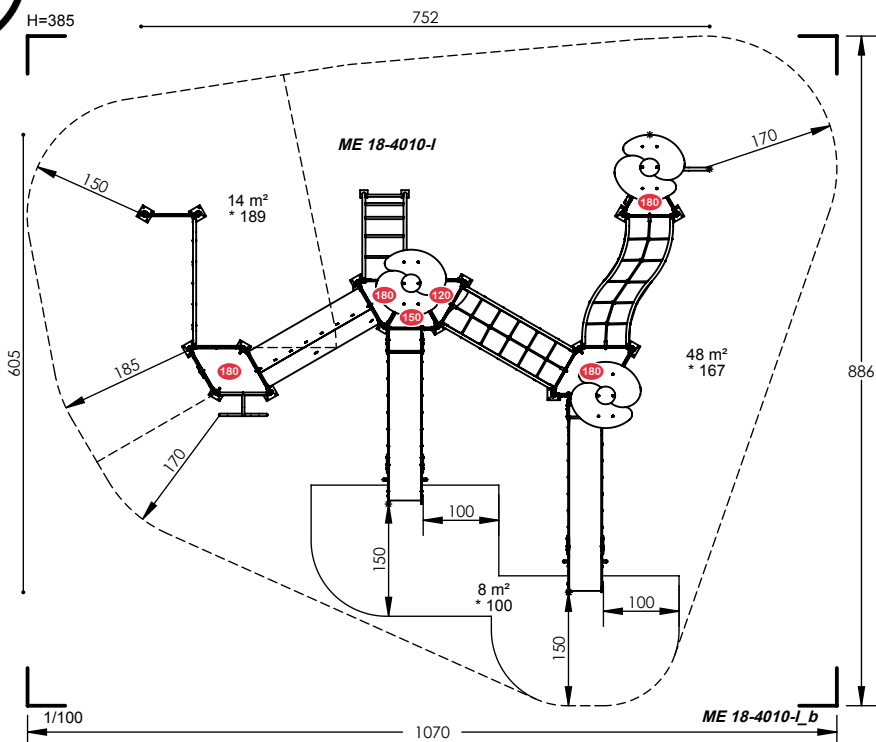




ME 18-4010



Any unit can be a different colour to suit your playground.



- 4 to 14 Years
- 35 Users
- 1.89m Fall Height
- 30 to 32 Hours
- 18 Play Activities