

|            |        |   |  |
|------------|--------|---|--|
| Uniclass   |        |   |  |
| L2226      |        |   |  |
| CI/SfB     | (22.3) | X |  |
| April 2014 |        |   |  |



WASHROOMS THAT WORK

# Healthcare Brochure



# We put the care into healthcare...



Over 10 years ago, we set out to deliver the best pre-plumbed system on the market utilising 90 years of experience, cutting edge technology, the highest quality materials and outstanding design.

Our idea was simple: a high quality pre-plumbed solution that conformed to stringent healthcare standards, delivered ready to install and requiring no on-site assembly.

Today, thousands of Bushboard RPM units are successfully in use every day in clinical environments across the UK.

### **Some completed projects:**

King Edward VII Hospital, Milton Keynes General Hospital, Hartismere Hospital, St Mark's Hospital, Worthing Hospital, High Wycombe Hospital, Tolworth Hospital, Newmarket Community Hospital, Caerphilly Hospital, Derby PFI Hospital, King's College Hospital, Norwich Community Hospital, Leeds Student Medical Practice, Southend University Hospital, Harlech Primary Care Facility, St Mary's Hospital



RPM: Reliable, with a proven track record

# HBN 00-10 Part C – a fully compliant solution



Since its introduction in 2002, RPM has rapidly become a first choice for specifiers because of innovative design, ease of installation and guaranteed standardised quality.

Units combine a carefully selected range of sanitaryware and brassware, fitted to panels and pre-assembled onto a specially designed pre-built rigid aluminium frame.

Delivered in partnership with a number of leading sanitaryware and brassware providers, we have the flexibility to provide a range of ready plumbed solutions to suite any budget, whilst ensuring they are manufactured to the highest standards and fully compliant with HBN-0010.

Our partners:



# Standards and Compliance

The key requirements of HBN 00-10 Part C have already been at the forefront of our product design for the last 10 years.

As well as assisting specifiers and healthcare experts to understand the life cycle and maintenance costs of our Ready Plumbed Modules, we continually review how our products can better contribute towards sustainability.

Standardisation and pre-assembly of components have ensured we deliver a quality product time again, and our ability to precision manufacture to the tightest of tolerances with materials that are tried and trusted means we have been at the forefront of assisting with infection prevention and control for over a decade.



# The benefits of choosing Ready Plumbed Modules

Bushboard Ready Plumbed Modules are delivered factory pressure tested and ready to install. Units are simply and easily secured to the wall and services connected. RPM requires no pre-built timber frame and a single trade can complete the installation of an individual unit in as little as 20 minutes, resulting in substantial time and cost savings.

**Guaranteed quality:** factory engineered using standardised processes and the latest manufacturing technology to deliver an exceptionally high quality, durable product.

**Improved infection control:** precision manufactured from the highest quality materials to minimise dirt traps and deliver ease of maintenance and cleaning.

**Compliance:** units are fully compliant with stringent healthcare regulations including HBN 00-10.

**Reduced time:** each unit can be installed in as little as 20 minutes by a single trade resulting in substantial time and cost savings.

**Improved cost control:** one product delivered from one source, ensures greater predictability of cost and programming, resulting in substantial time and cost savings.

**Improved sustainability:** reduces the impact of construction activities on-site, including noise, vehicle movements and waste reduction.

**Utilisation of off-site skills:** removes the interface between joinery and plumbing trades reducing reliance on skilled labour on-site.

**Reduced accidents:** transferring work off site into our controlled production environment reduces site health and safety issues.

**Testing off-site:** delivered pressure tested and ready to install.

**Delivery and distribution:** delivered palletised for ease of handling and distribution on site.

## Regulations and standards

The following measures apply to all Bushboard Healthcare RPM units to ensure they meet the stringent regulations relating to plumbing:

- ↳ Products used are WRAS listed or self certified as compliant
- ↳ TMV3 approved thermostatic mixer valves
- ↳ All units are pressure tested for leakage
- ↳ Brass fittings are DZR grade

For further information refer to page 46.

# The UK's most economical metal framed pre-plumbed pre-assembled solution



The addition of our SanCeram sanitaryware and brassware range now makes RPM even more affordable, offering cost savings of up to 25% on similar quality products in the market place.

## **SanCeram**

SanCeram is an outstanding range of sanitaryware developed through years of experience, and delivers excellent quality, precision casting, unique selling features and unparalleled value.

Complying with the requirements of HBN 00-10 Part C and WRAS as well as delivering exceptional quality and value, SanCeram enables more Healthcare Trusts than ever to specify the very best clinical pre-plumbed solution.

## **SanCeram is in use at**

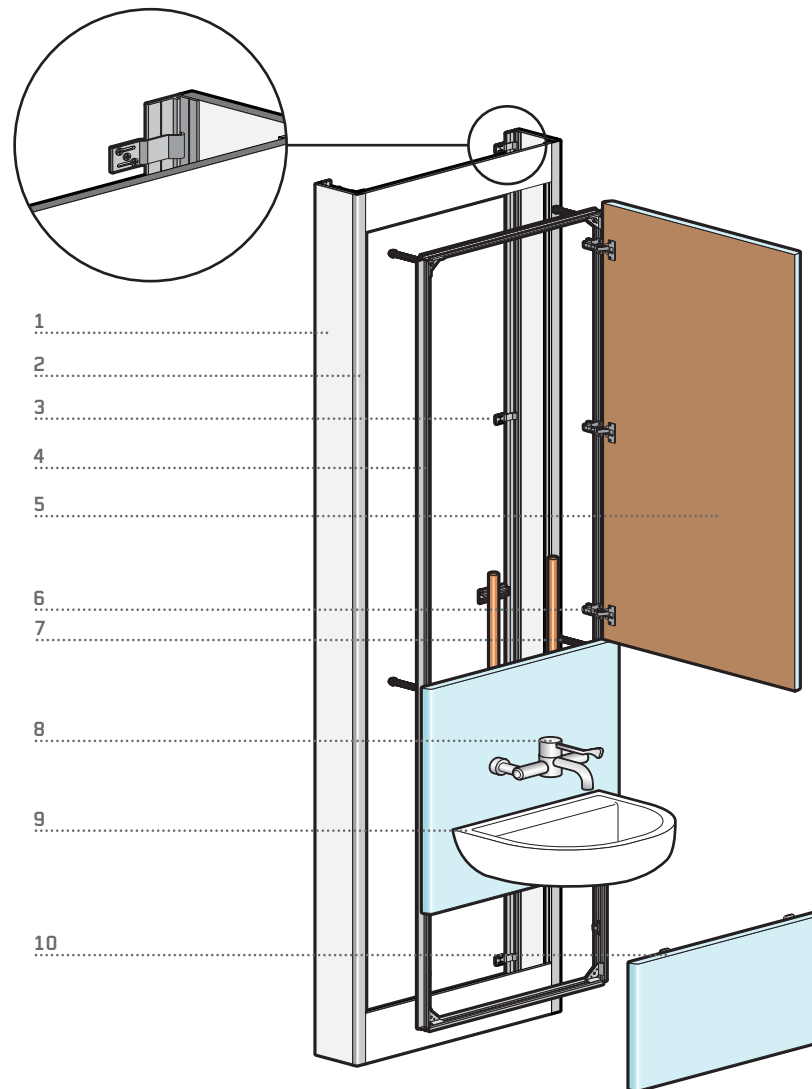
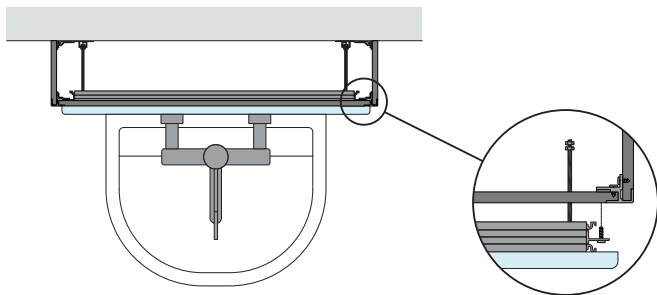
Guys and St Thomas Hospital, London  
Student Medical Practice, Leeds  
St Mary's Hospital, Isle of Wight  
NHS Blood Centre, Manchester  
Walsgrave Hospital Maternity Unit, Coventry  
Brook Medical Centre, Staffordshire  
Thanet Medical Centre, Kent

# Boxed out unit freestanding

Boxed out units are the most frequently specified unit type and stand proud of solid or partition walls to conceal services supplied through wall, floor or ceiling. They are ideal for both new and refurbishment projects.

Boxed out units are available in a 2-part delivery for easy handling and installation (see page 9).

Plan view of RPM wall system

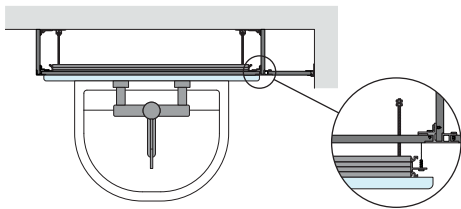
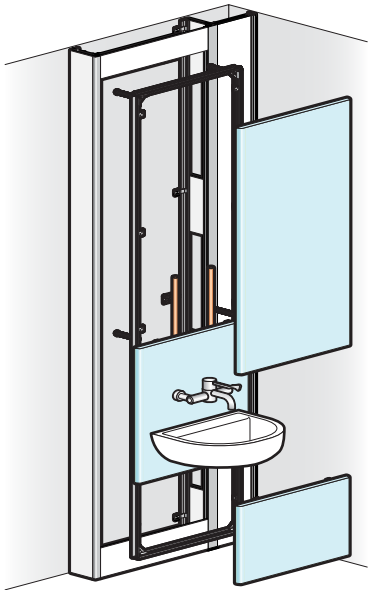


\*box colours limited

- **1 Box unit\***  
Factory assembled Solid Grade Laminate (SGL) box is impact resistant and 100% impervious to liquids. Variable depth to accommodate service requirements.
- **2 Corner extrusions**  
Flush fitted, smooth and easy to clean aluminium corner extrusions for protection of vulnerable edges and seamless joining of panels.
- **3 Wall fixing bracket**  
Just 8 screws secure unit to wall in as little as 20 minutes.
- **4 Framing**  
Factory assembled extruded aluminium frame with integral rail for cisterns and sanitaryware.
- **5 Panels**  
Two options for consideration – SGL and HPL. SGL is highly impact resistant, easy to clean, has no sharp edges and is 100% impervious to water. HPL with smooth postformed edges is highly durable, easy to clean and water resistant.
- **6 Hinges**  
Hinged, lockable panels with suited keys for security.
- **7 Tie backs**  
Threaded rods adjustable in two planes tie the unit to the wall.
- **8 Brassware**  
WRAS-compliant brassware specifically chosen to meet the requirements of HBN 00-10 Part C. Units are tested for leakage in a controlled factory environment prior to delivery, ensuring no disruption on site.
- **9 Sanitaryware**  
A dedicated range of sanitaryware specifically chosen to meet the requirements of HBN 00-10 Part C.
- **10 Non-intrusive dowel**  
Maintains consistent panel alignment without needing to drill panel lipping, reducing the potential for water ingress into vulnerable panel edges.

## Boxed out unit extended flashgaps

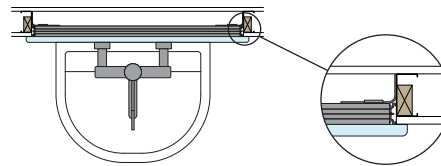
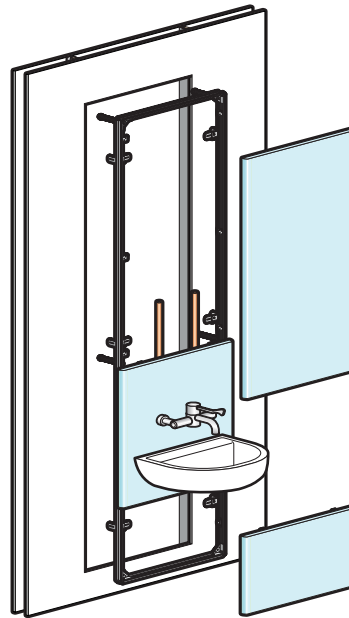
Used where additional space is required.



Boxed out unit with extended flashgap panel in SGL.

## Aperture

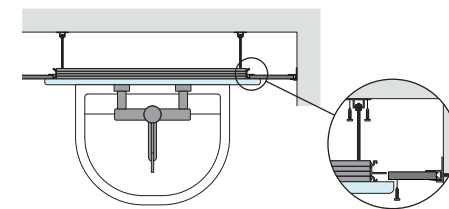
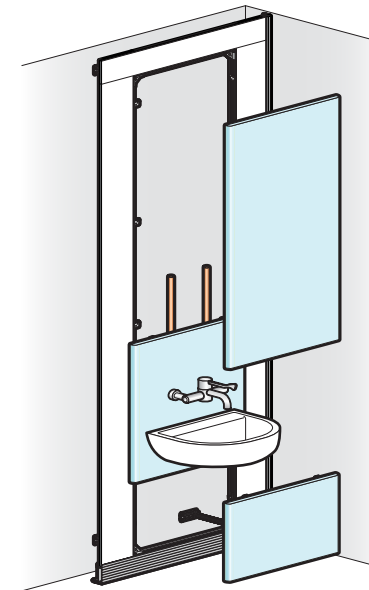
Fits within a partition wall, with the frame finishing flush to the surface and using services supplied within the wall.



Extruded aluminium frame and panels.

## Duct wall system

Creates an entire wall duct where more complex configurations are required, making it ideal for disabled facilities and assisted areas.



Extruded aluminium frame and panels with flashgap panels in HPL or SGL and aluminium skirting in silver or charcoal.

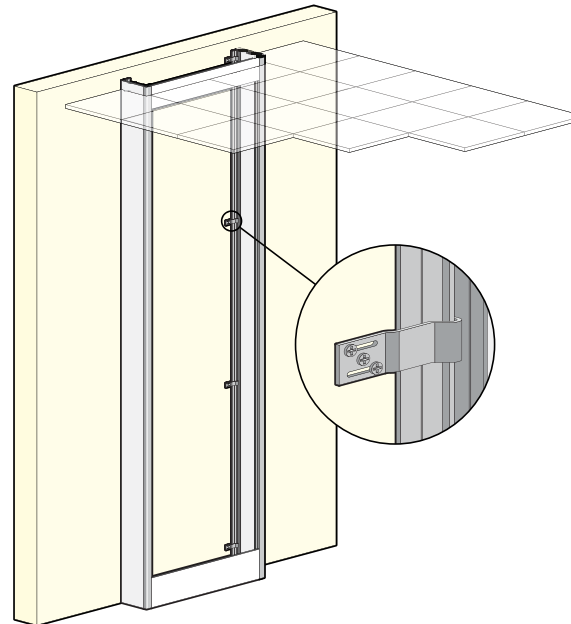


# Boxed out unit – two phase delivery

Bushboard boxed out units have been designed to make on-site installation and handling as easy as possible by allowing for suspended ceilings and floors to be installed ahead of sanitaryware, thereby minimising the risk of damage.

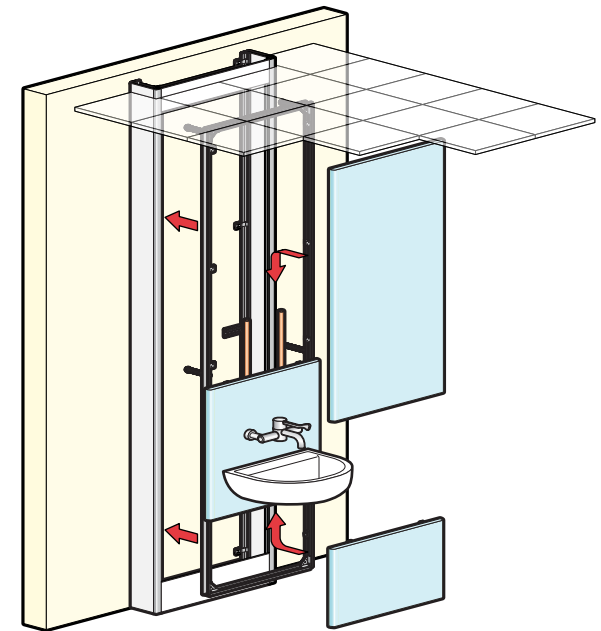
## Phase 1

- Fix the box unit to the wall using specially supplied easy fix brackets.
- Units require just 8 screws to secure to wall and can be fitted in as little as 20 minutes per unit.
- Install suspended ceiling and floor ahead of sanitaryware to minimise damage.



## Phase 2

- Slot the rigid aluminium frame into the boxed out unit and secure tie backs.
- Front fix with supplied self-drilling, self-tapping screws.
- Connect pipework and refit access panels.



# Healthcare sanitary assemblies



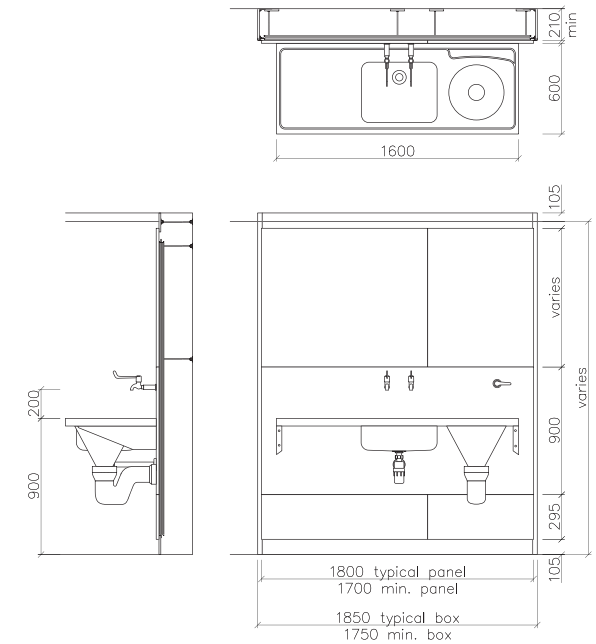
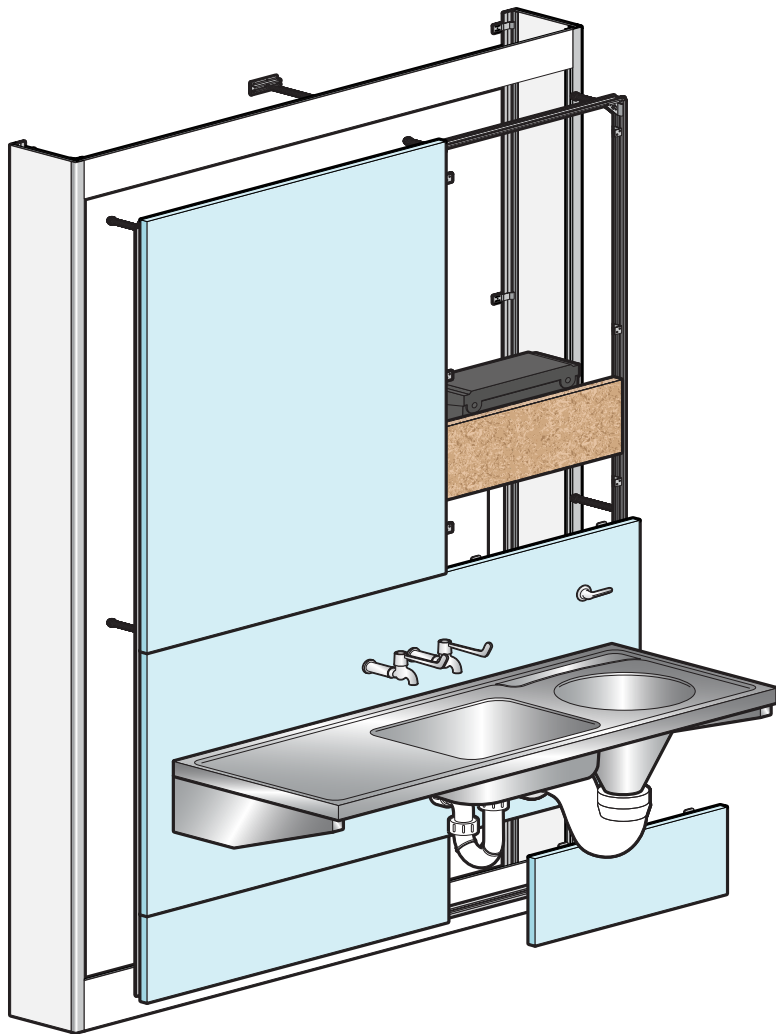
A dedicated range of sanitary assemblies for healthcare environments, specifically selected to meet the requirements of HBN00-10.



# Disposal unit assembly DU HS

for the disposal of liquid and solid waste in connection with clinical procedures

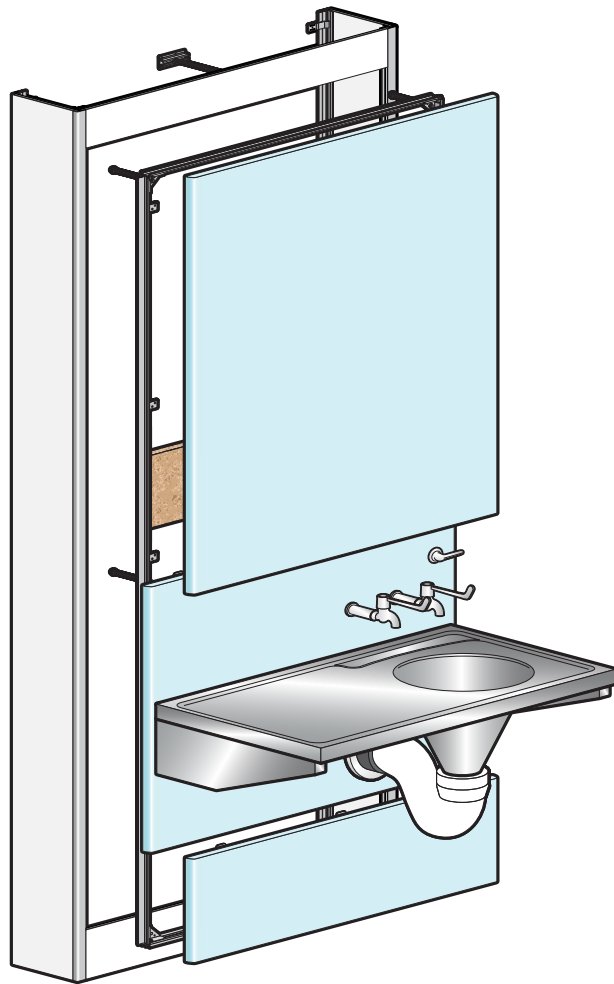
Typical room applications  
 ↪ Dirty utility/disposal



| Code               | Product description                     | Ref.  | Brassware options  | Ref.  | Flush options                        |
|--------------------|---|-------|--|-------|--------------------------------------|
| G22018L or G22018R | 1600mm Disposal Unit L/H or R/H Drainer | DU HS | DLV095 Panel Mounted Lever Action Bib Taps with 6" Levers (pr) – as illustrated                                  | TB H1 | 9L Plastic Cistern with Lever Flush  |
|                    |   |       | SF2301CP Panel Mounted Lever Action Bib Taps (pr) ZQ5567XX extensions (single)                                   | TB H1 | 9L Plastic Cistern with Lever Flush  |
|                    |   |       | 2 No. AT07-049 Panel Mounted Tap Spouts and AT07-011 Wave On/Off Sensors AT00-038 Conversion Kit to Copper Tails | TB H1 | 9L Plastic Cistern with Sensor Flush |

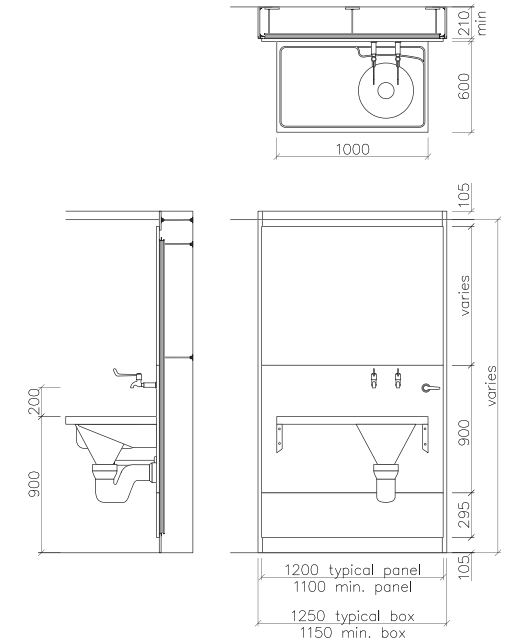
# Disposal unit assembly DU H

for the disposal of liquid and solid waste in connection with clinical procedures



## Typical room applications

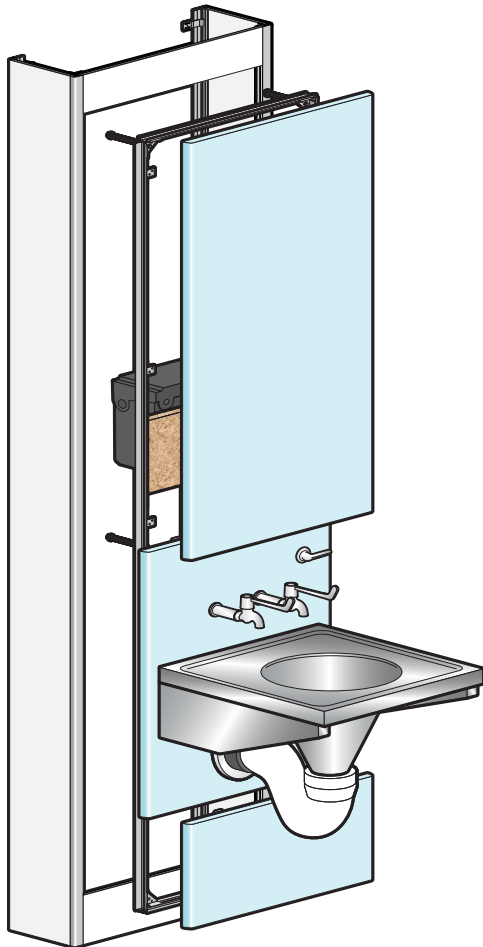
↳ Dirty utility/disposal



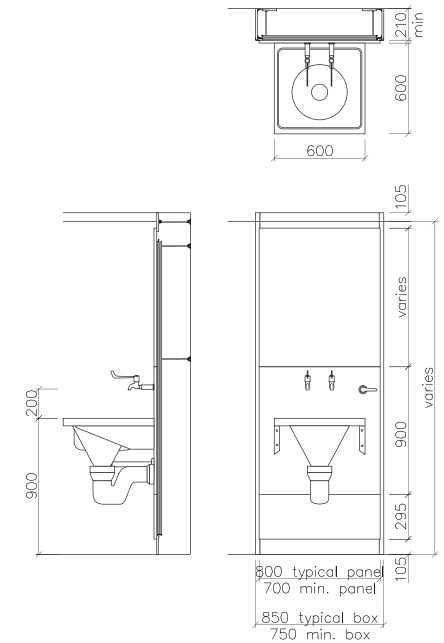
| Code               | Product description                     | Ref. | Brassware options  | Ref.  | Flush options                        |
|--------------------|---|------|--|-------|--------------------------------------|
| G22016L or G22016R | 1000mm Disposal Unit L/H or R/H Drainer | DU H | DLV095 Panel Mounted Lever Action Bib Taps with 6" Levers (pr) – as illustrated                                  | TB H1 | 9L Plastic Cistern with Lever Flush  |
|                    |   |      | SF2301CP Panel Mounted Lever Action Bib Taps (pr) ZQ5567XX extensions (single)                                   | TB H1 | 9L Plastic Cistern with Lever Flush  |
|                    |   |      | 2 No. AT07-049 Panel Mounted Tap Spouts and AT07-011 Wave On/Off Sensors AT00-038 Conversion Kit to Copper Tails | TB H1 | 9L Plastic Cistern with Sensor Flush |

# Disposal unit assembly DU

for the disposal of liquid and solid waste in connection with clinical procedures



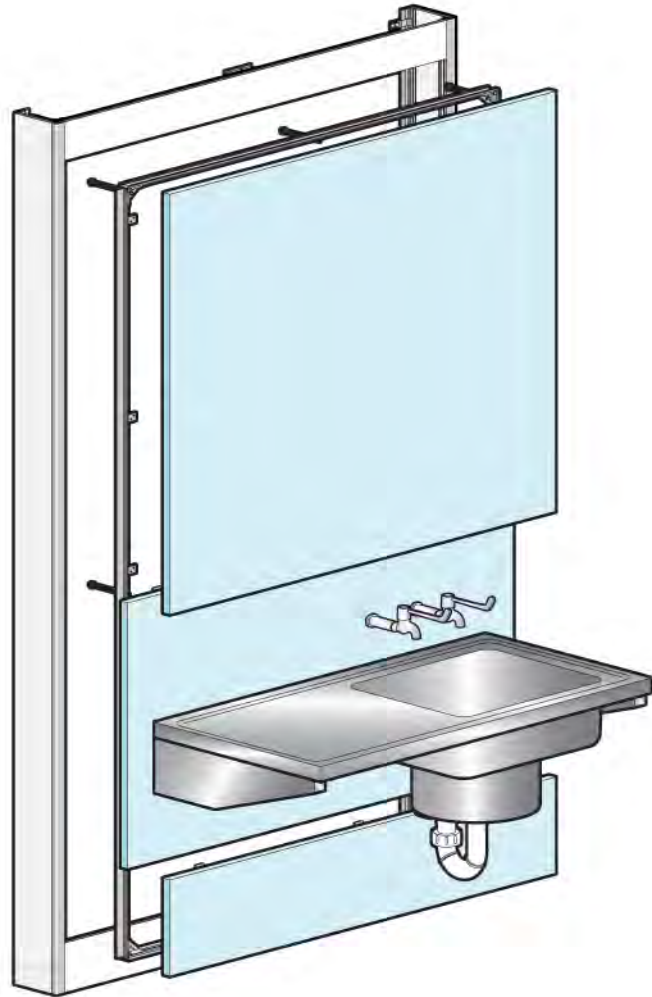
Typical room applications  
 → Dirty utility/disposal



| Code    | Product description   | Ref. | Brassware options  | Ref.  | Flush options                        |
|---------|-----------------------|------|--|-------|--------------------------------------|
| G22041N | 600mm Disposal Hopper | DU   | DLV095 Panel Mounted Lever Action Bib Taps with 6" Levers (pr) – as illustrated                                  | TB H1 | 9L Plastic Cistern with Lever Flush  |
|         |                       |      | SF2301CP Panel Mounted Lever Action Bib Taps (pr) ZQ5567XX extensions (single)                                   | TB H1 | 9L Plastic Cistern with Lever Flush  |
|         |                       |      | 2 No. AT07-049 Panel Mounted Tap Spouts and AT07-011 Wave On/Off Sensors AT00-038 Conversion Kit to Copper Tails | TB H1 | 9L Plastic Cistern with Sensor Flush |

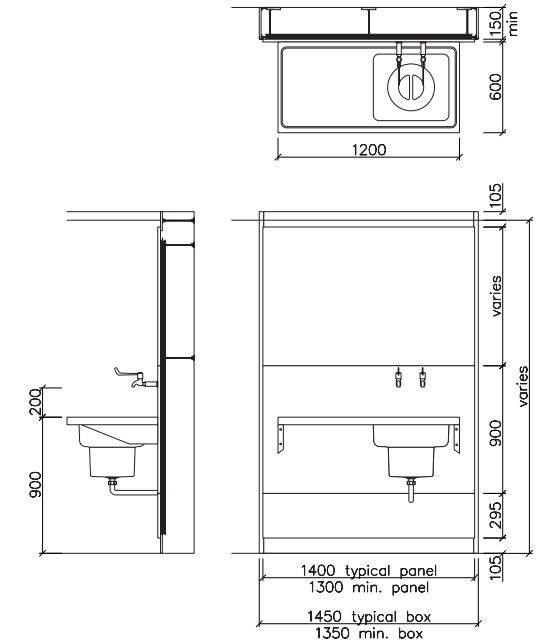
# Plaster sink assembly PS H

for use in connection with plaster preparation



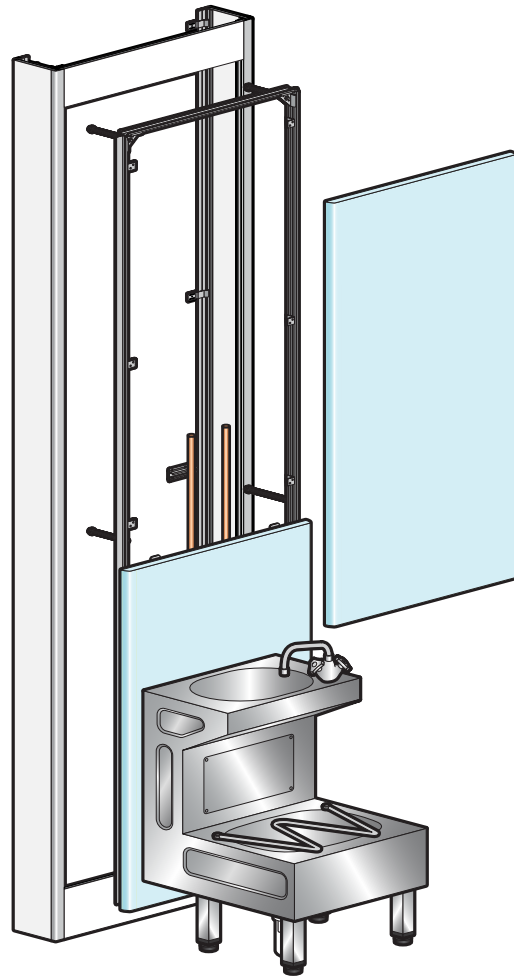
## Typical room applications

→ Plaster rooms

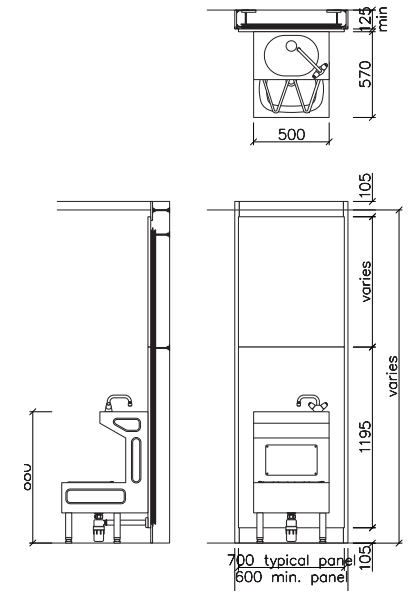


| Code               | Product description | Ref. | Brassware options   | Ref.  |
|--------------------|---------------------|------|---|-------|
| G22000L or G22000R | 1200mm Plaster Sink | PS H | DLV095 Panel Mounted Bib Taps with 6" Levers (pr) – as illustrated<br>ZQ5567XX extensions (single)                  | TB H1 |
|                    |                     |      | SF2301CP Panel Mounted Lever Action Bib Taps (pr)<br>ZQ5567XX extensions (single)                                   | TB H1 |
|                    |                     |      | 2 No. AT07-049 Panel Mounted Tap Spouts and AT07-011 Wave On/Off Sensors<br>AT00-038 Conversion Kit to Copper Tails | TB H1 |

# Janitorial unit JU



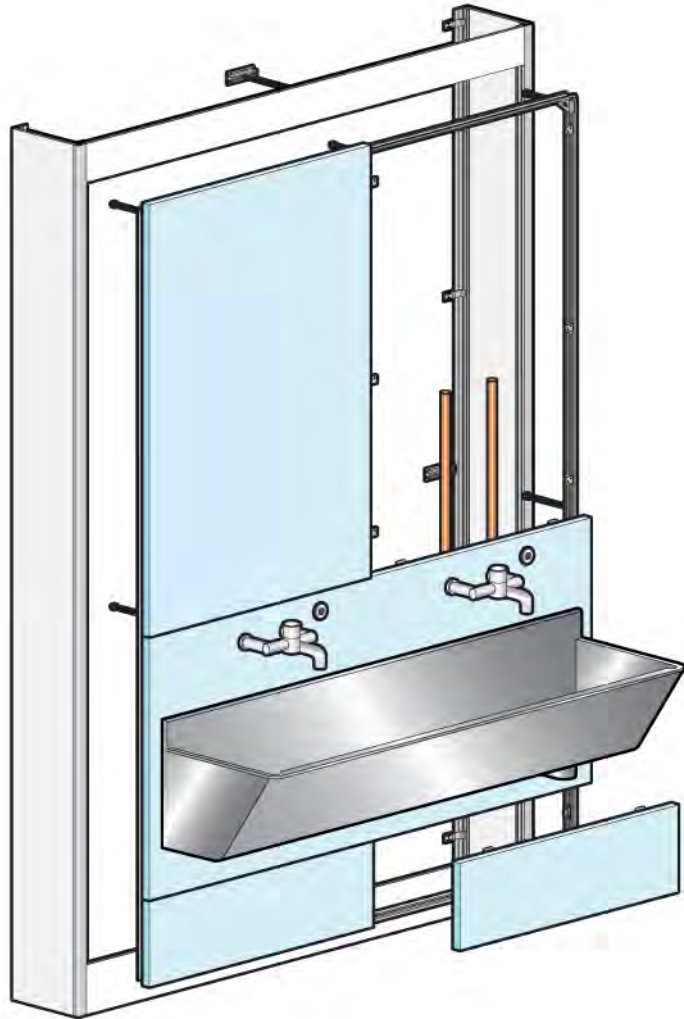
**Typical room applications**  
 → Cleaners' rooms



| Code    | Product description              | Ref. |
|---------|----------------------------------|------|
| G20050N | Janitorial Unit c/w Monobloc Tap | JU   |

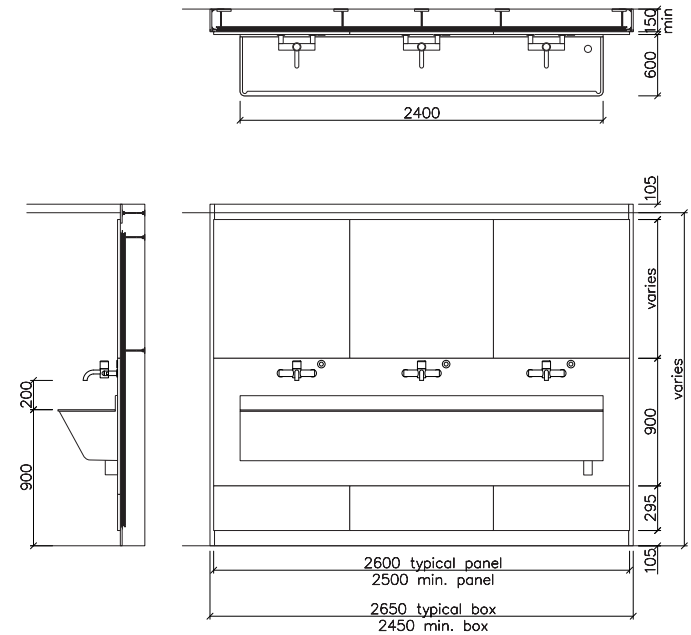
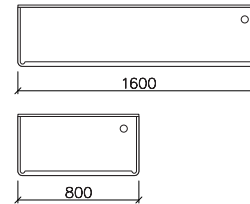
# Scrub-up trough assemblies SU H1, SU H2, SU H3

for use in connection with surgical washing of forearms and hands



## Typical room applications

- Theatres
- Scrub-up areas

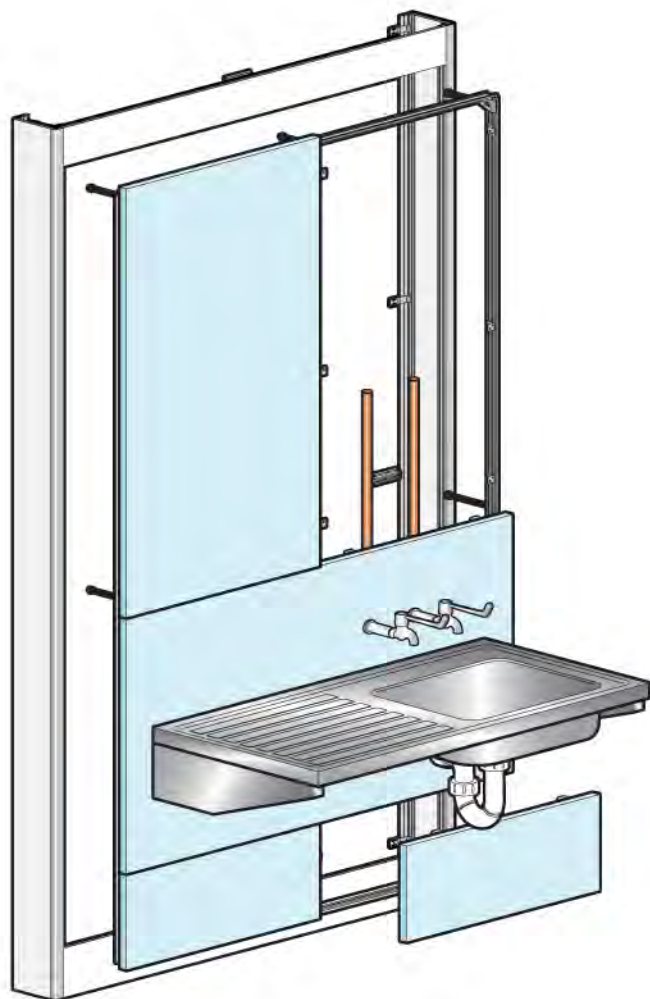


| Code               | Product description                      | Ref.  | Brassware options  | Ref.   |
|--------------------|--|-------|--|--------|
| G22029L or G22029R | Scrub-up Trough Single L/H or R/H Outlet | SU H1 | SCTHTMLV1 Thermostatic Sequential Panel Mounted Lever Action Tap TMV3                    | TB H2a |
|                    |  |       | SCTHTMSR1 Thermostatic Panel Mounted Infrared Sensor Tap TMV3 (battery) – as illustrated | TB H6  |
|                    |  |       | AT04-001 AquariTherm Panel Mounted Sensor Tap  | TB H6  |
| G22030L or G22030R | Scrub-up Trough Double L/H or R/H Outlet | SU H2 | MT04-001 Manual AquariTherm Panel Mounted Lever Action Tap                               | TB H2a |
|                    |  |       | SF1056CP Thermostatic Sequential Panel Mounted Lever Action Tap TMV3                     | TB H2a |
|                    |  |       | SF1119CP Thermostatic Panel Mounted Infrared Sensor Tap TMV3 (battery)                   | TB H6  |
|                    |  |       | SF1020CP Electric 240v Conversion Kit  |        |
| G22031L or G22031R | Scrub-up Trough Triple L/H or R/H Outlet | SU H3 | AT02-053 200mm Panel Mounted Scrub-up Tap Spout and Sensor                               | TB H6  |
|                    |  |       | AT00-038 Conversion to Copper Tails  |        |

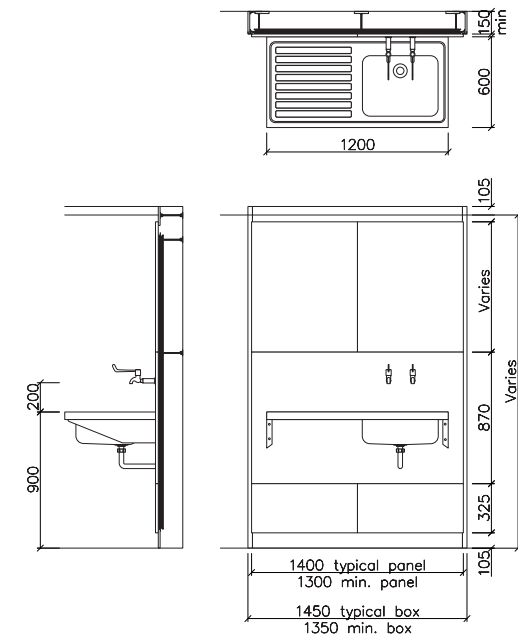
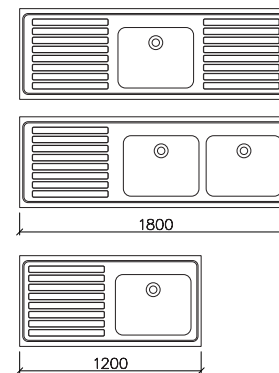


# Sink and sink top assemblies ST A, ST B, ST C

for use in connection with clinical procedures



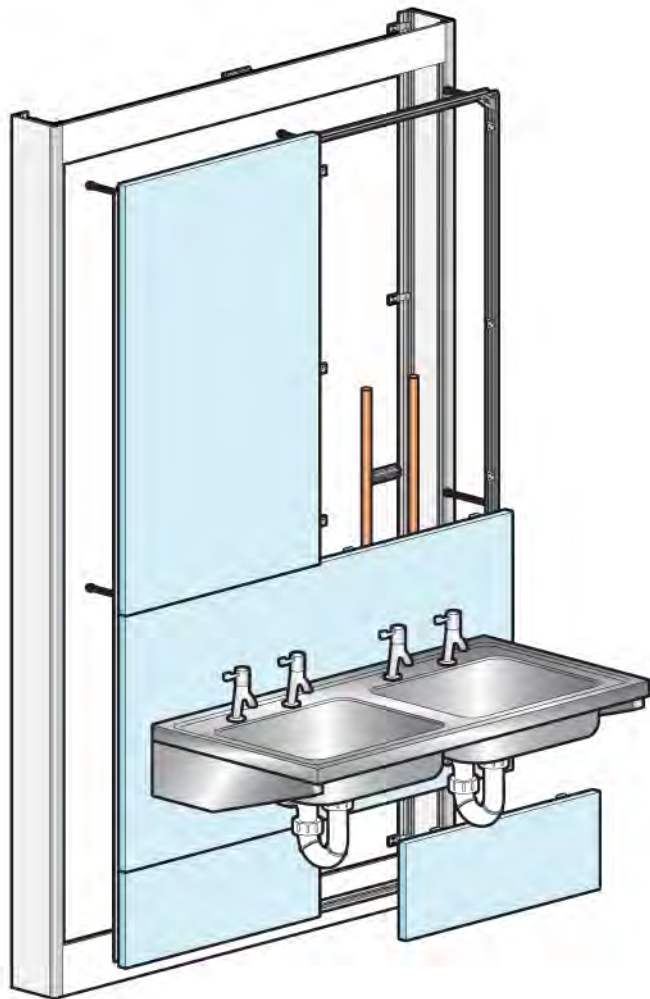
Typical room applications  
 → Dirty utility rooms



| Code               | Product description   | Ref. | Brassware options  | Ref.  |
|--------------------|---|------|--|-------|
| G22006L or G22006R | 1200mm Single Bowl Single Drainer L/H or R/H Drainer No Tap Holes | ST A | DLV095 Panel Mounted Lever Action Bib Taps with 6" Levers (pr) – as illustrated ZQ5567XX extensions (single) | TB H1 |
| G22008D            | 1800mm Single Bowl Double Drainer No Tap Holes                    | ST B |  |       |
| G22010L or G22010R | 1800mm Double Bowl Single Drainer L/H or R/H Drainer No Tap Holes | ST C |  |       |

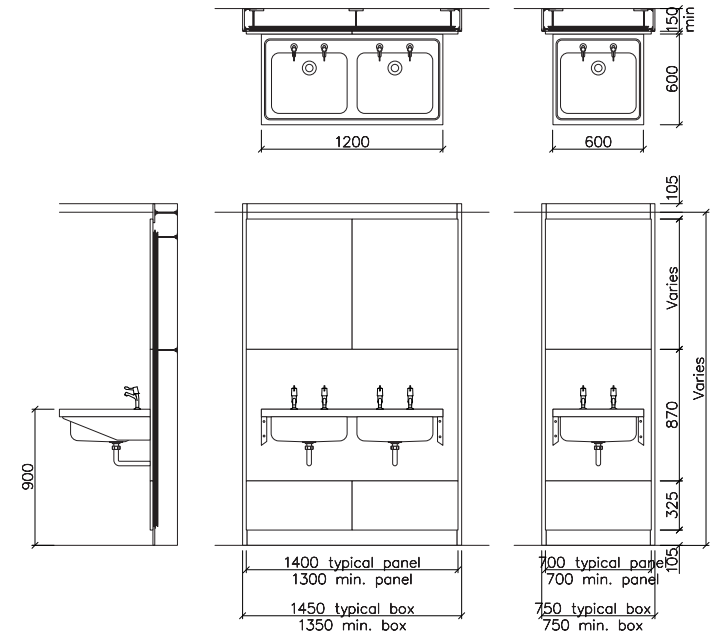
# Sink and sink top assemblies SK 1, SK 2

for use in connection with domestic service procedures



## Typical room applications

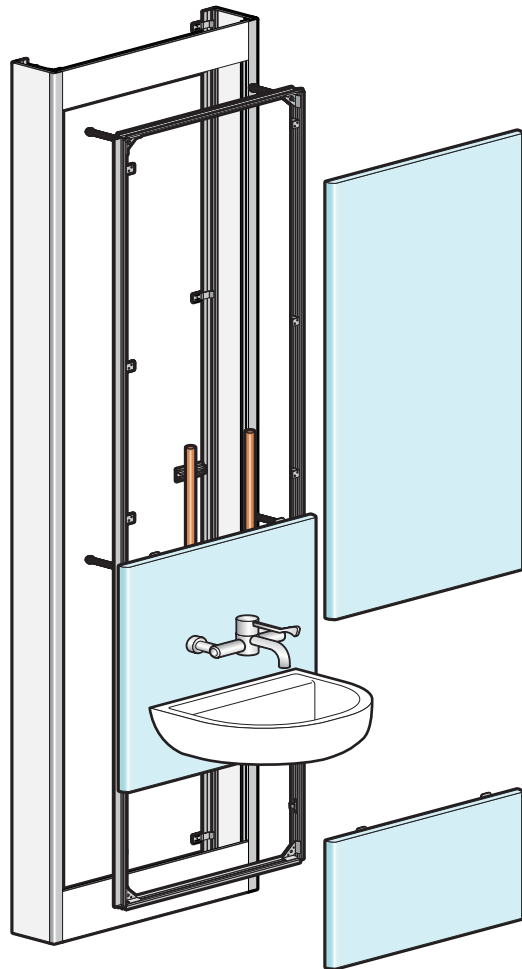
→ Cleaners' rooms



| Code     | Product description                   | Ref. | Brassware options  | Ref. |
|----------|---------------------------------------|------|--|------|
| G22002NT | Single Bowl Hospital Sink 2 Tap Holes | SK 1 | SF2403CP High Neck Basin Mounted Lever Action Pillar Taps – as illustrated | TP3  |
| G22004NT | Double Bowl Hospital Sink 2 Tap Holes | SK 2 | SF2704CP 6" Extended Levers available if required                          |      |

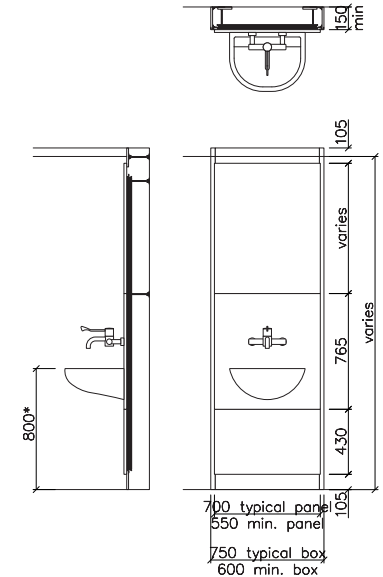
# Basin assembly LB H M

for use in connection with clinical procedures



## Typical room applications

- 4/6 bed wards
- Single bed wards
- Dirty utility
- Clean utility
- Treatment rooms
- Consulting rooms

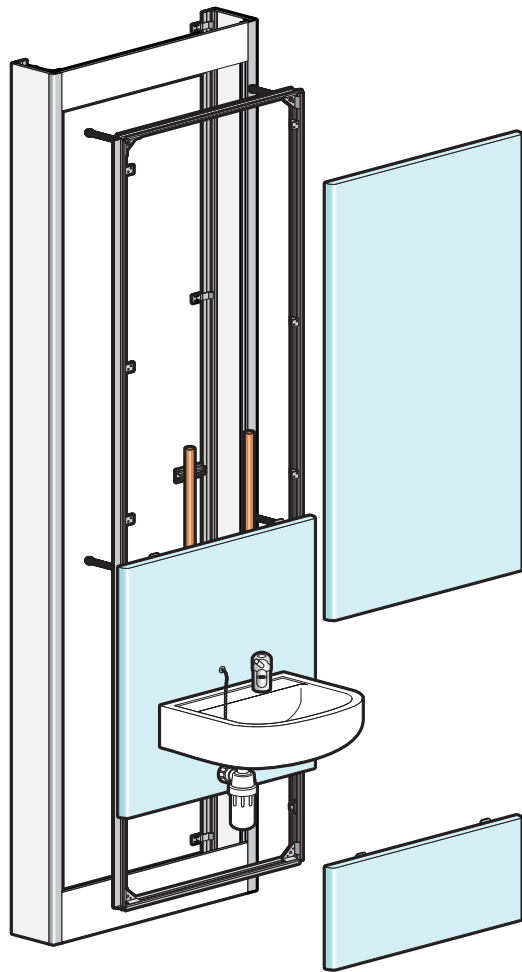


\*680-700mm lip height available if required. For seated/wheelchair use as recommended in HBN00-10 Part C.

| Code      | Product description  | Ref.   | Brassware options   | Ref.   |
|-----------|--|--------|---|--------|
| CHBWH50B0 | Chartham Clinical Basin 500 No Tap Hole, Overflow or Chain Hole Back Outlet      | LB H M | SCTHTMLV1 Thermostatic Sequential Panel Mounted Lever Action Tap TMV3 – as illustrated                          | TB H2a |
|           |  |        | SCTHTMSR1 Thermostatic Panel Mounted Infrared Sensor Tap TMV3 (battery)   | TB H6  |
|           |  |        | AT04-001 AquariTherm Panel Mounted Sensor Tap   | TB H6  |
| SA4280WH  | Sola Spectrum Clinical Basin 500 No Tap Hole, Overflow or Chain Hole Back Outlet | LB H M | MT04-001 Manual AquariTherm Panel Mounted Lever Action Tap  | TB H2a |
|           |  |        | SF1056CP Thermostatic Sequential Panel Mounted Lever Action Tap TMV3  | TB H2a |
|           |  |        | SF1119CP Thermostatic Panel Mounted Infrared Sensor Tap TMV3 (battery)<br>SF1020CP Electric 240v Conversion Kit | TB H6  |
|           |  |        | AT02-022 250mm Panel Mounted Tap Spout and Sensor with Copper Tails   | TB H6  |

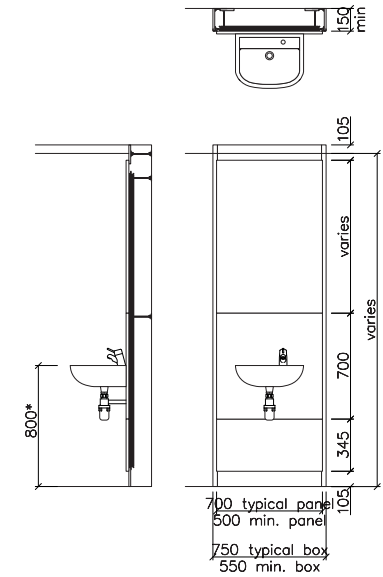
# Basin assemblies LB G M and LB G L

for use in connection with personal washing



## Typical room applications

- Ensuites
- Bathrooms

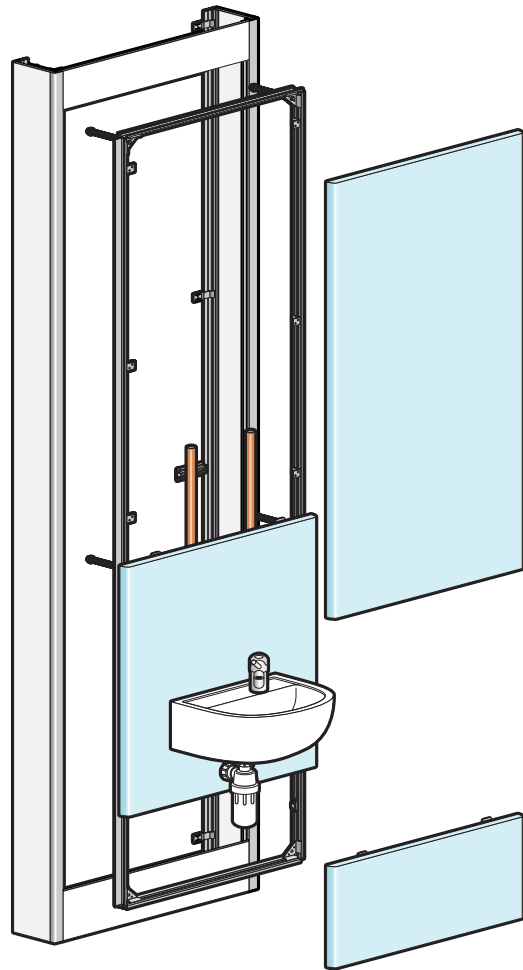


\*680-700mm lip height available if required. For seated/wheelchair use as recommended in HBN 00-10 Part C.

| Code                    | Product description   | Ref.                | Brassware options   | Ref.       |
|-------------------------|---|---------------------|---|------------|
| CHBWH50RH               | Chartham Medical Wash Basin 500<br>RH Tap Hole No Overflow or Chain Hole    | LB G M              | SCTDMSEQ1 Thermostatic Sequential Basin Mounted Lever Action Mixer Tap TMV3 – as illustrated<br>SCTDMTAIL Conversion Kit for Copper Tails | TP6        |
| CHBWH50T                | Chartham Medical Wash Basin 500<br>2 Tap Holes No Overflow or Chain Hole    |                     | AT03-021 A45 Basin Mounted Sensor Tap with Copper Tails<br>DLT101 Basin Mounted Lever Action Pillar Taps (pr)                             | TP6<br>TP5 |
| SA4255WH or<br>SA4355WH | Sola Medical Wash Basin 500 or 600<br>RH Tap Hole No Overflow or Chain Hole | LB G M or<br>LB G L | SF1053CP Thermostatic Basin Mounted Lever Action Mixer Tap TMV3<br>AT03-021 A45 Basin Mounted Sensor Tap with Copper Tails                | TP6<br>TP6 |
| SA4252WH or<br>SA4352WH | Sola Medical Wash Basin 500 or 600<br>2 Tap Holes No Overflow or Chain Hole |                     | SF2401 CP Basin Mounted Lever Action Pillar Taps (pr)<br>SF2704 CP 6" Extended Levers available if required                               | TP5        |

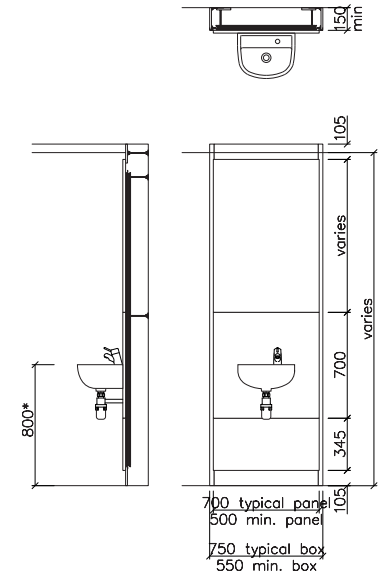
# Basin assembly LB G S

for hand rinsing only



## Typical room applications

- ↳ Patient WCs
- ↳ Staff WCs

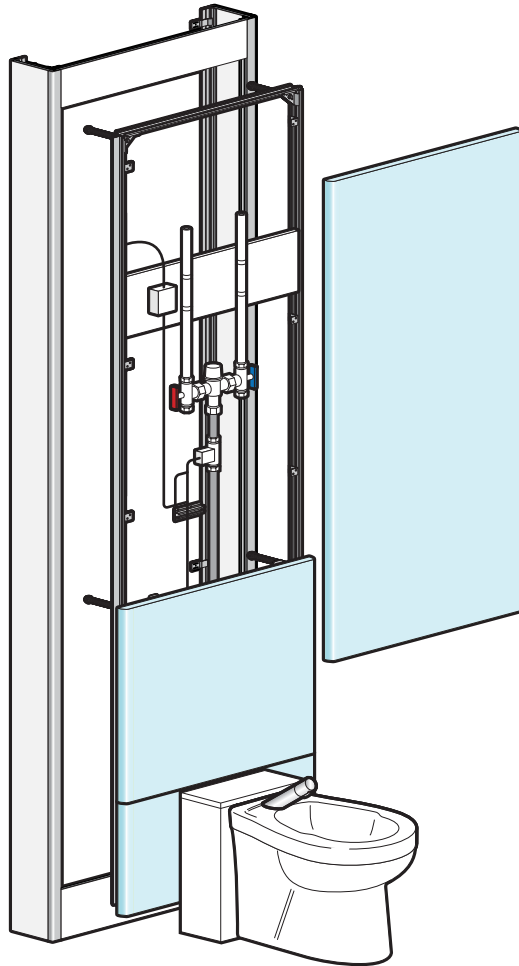


\*680-700mm lip height available if required. For seated/wheelchair use as recommended in HBN 00-10 Part C.

| Code      | Product description  | Ref.   | Brassware options   | Ref. |
|-----------|--|--------|---|------|
| CHBWH3BRH | Chartham Medical Handrinse Basin 380 RH Tap Hole, No Overflow or Chain Hole  | LB G S | SCTDMSEQ1 Thermostatic Sequential Basin Mounted Lever Action Mixer Tap TMV3 – as illustrated<br>SCTDMTAIL Conversion kit for Copper Tails | TP6  |
| CHBWH3BLH | Chartham Medical Handrinse Basin 380 LH Tap Hole, No Overflow or Chain Hole  | LB G S | AT03-022 A45 Short Basin Mounted Sensor Tap with Copper Tails   | TP6  |
| SA4155WH  | Sola Medical Handrinse Basin 400 RH Tap Hole, No Overflow or Chain Hole      | LB G S | SF1053CP Thermostatic Basin Mounted Lever Action Mixer Tap TMV3   | TP6  |
| SA4156WH  | Sola Medical Handrinse Basin 400 LH Tap Hole, No Overflow or Chain Hole LBGS | LB G S |   |      |

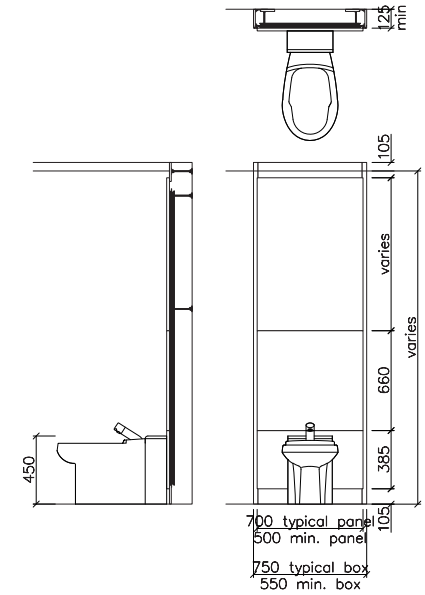
# Bidet assembly BD H

for use in connection with clinical procedures



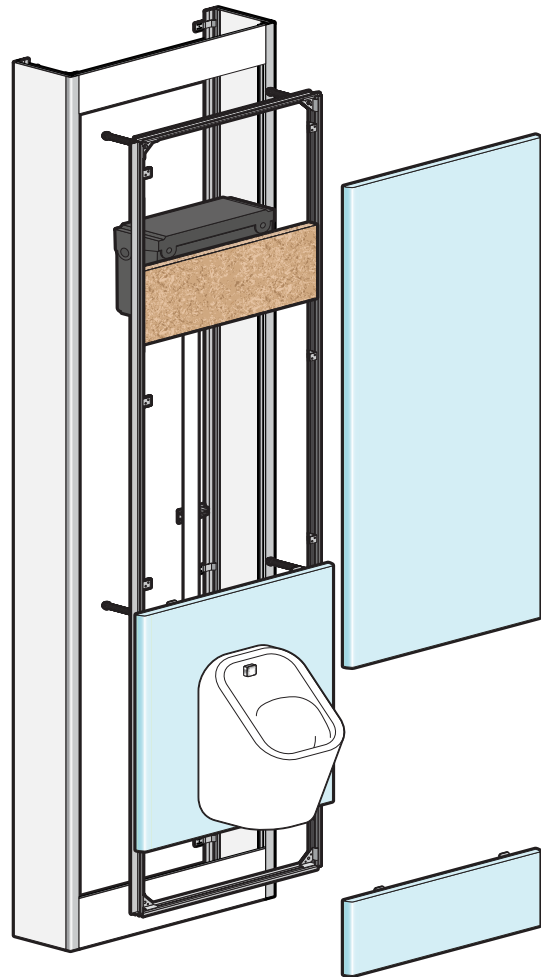
## Typical room applications

- Ensuites
- Bathrooms



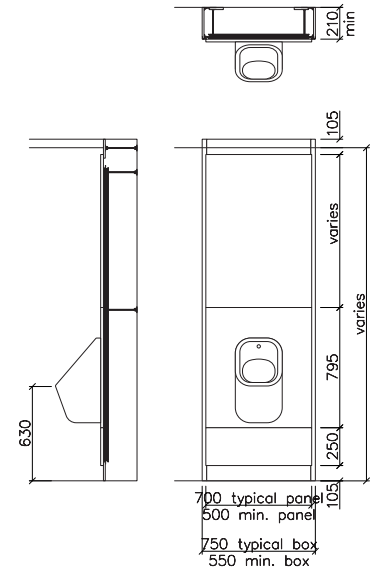
| Code     | Product description                                 | Ref. | Brassware options                                       | Ref |
|----------|---|------|---|-----|
| SA3521WH | Sola Bidet<br>1 Tap Hole, No Overflow or Chain Hole | BD H | AT03-021 A45 Basin Mounted Sensor Tap with Copper Tails | TP6 |

# Hospital pattern urinal UR H



## Typical room applications

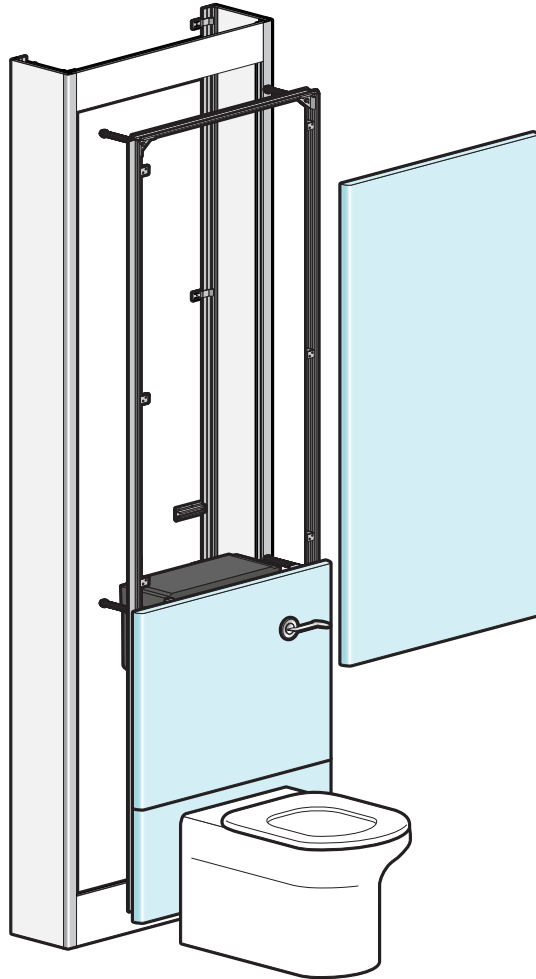
- Public areas
- Staff areas



| Code      | Product description            | Ref. | Flushing options              |
|-----------|--------------------------------|------|-------------------------------|
| CHURINLCT | Chartham Concealed Trap Urinal | UR H | Auto Cistern                  |
| VC7004WH  | Spectrum Concealed Trap Urinal | UR H | Infrared Sensor Flush Control |

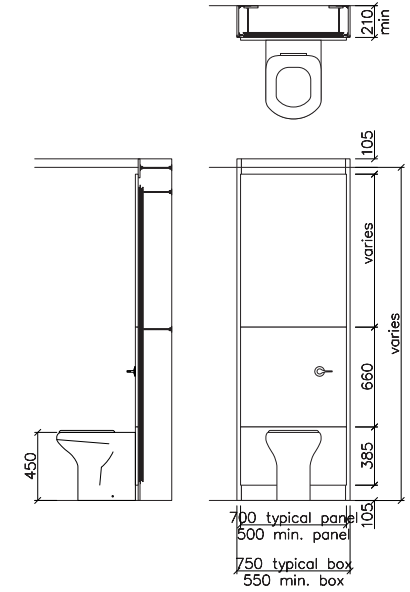
# WC WC H

for fully ambulant and ambulant disabled users



## Typical room applications

- Staff areas
- Public areas
- Patient WCs
- Ensuites

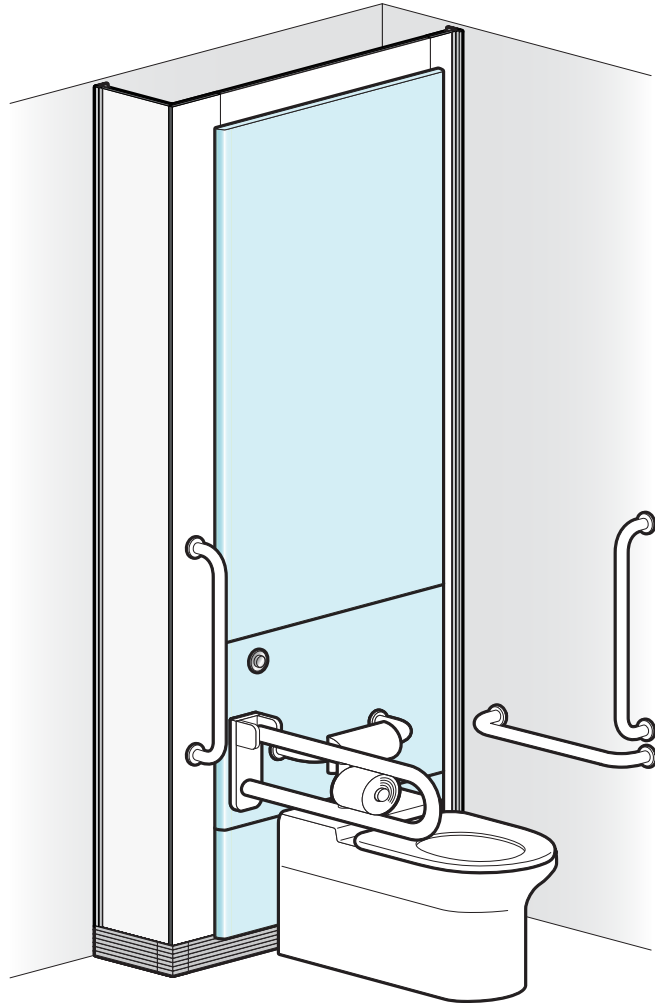


| Code      | Product description                                 | Ref. | Flush/Cistern options                                   | Seat options  |
|-----------|---|------|---|---|
| CHWCBTW48 | Chartham Rimless<br>480 BTW WC Pan<br>Raised Height | WC H | 6L Cistern with Lever – as illustrated                  | CHSEATSPW Chartham Seat White<br>CHSEATSPB Chartham Seat Blue<br>CHSEATSFT Cover and Soft Close<br>Seat White |
|           |   |      | 6L Pneumatic Single Flush Cistern with Palm Push        |   |
|           |   |      | 6/4L Pneumatic Dual Flush Cistern with Dual Flush Plate |   |
|           |   |      | 6L Cistern with Sensor Flush                            |   |
| AV1968WH  | Avalon Rimless<br>BTW WC Pan<br>Raised Height       | WC H | 6L Low Level Cistern with Lever                         | AV7861WH Ring Seat White<br>AV7861BE Ring Seat Blue<br>AV7861GY Ring Seat Grey                                |
|           |   |      | 6L Pneumatic Single Flush Cistern with Push Button      |   |
|           |   |      | 6/4L Pneumatic Dual Flush Cistern with Dual Flush Plate |   |
|           |   |      | 6L Cistern with Sensor Flush                            |   |

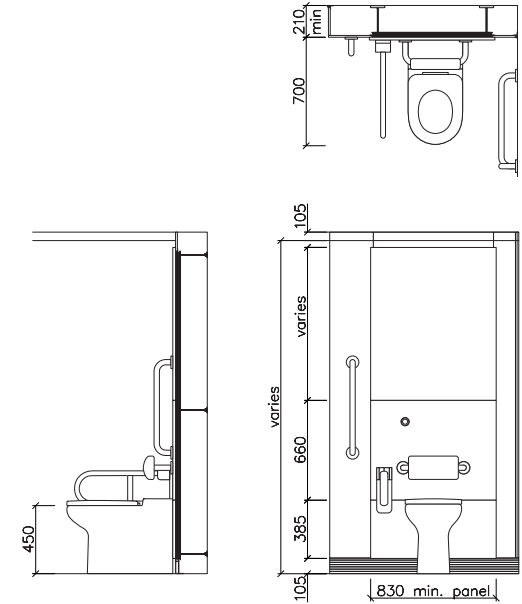


# WC WC HD

for assisted ambulant disabled/wheelchair users

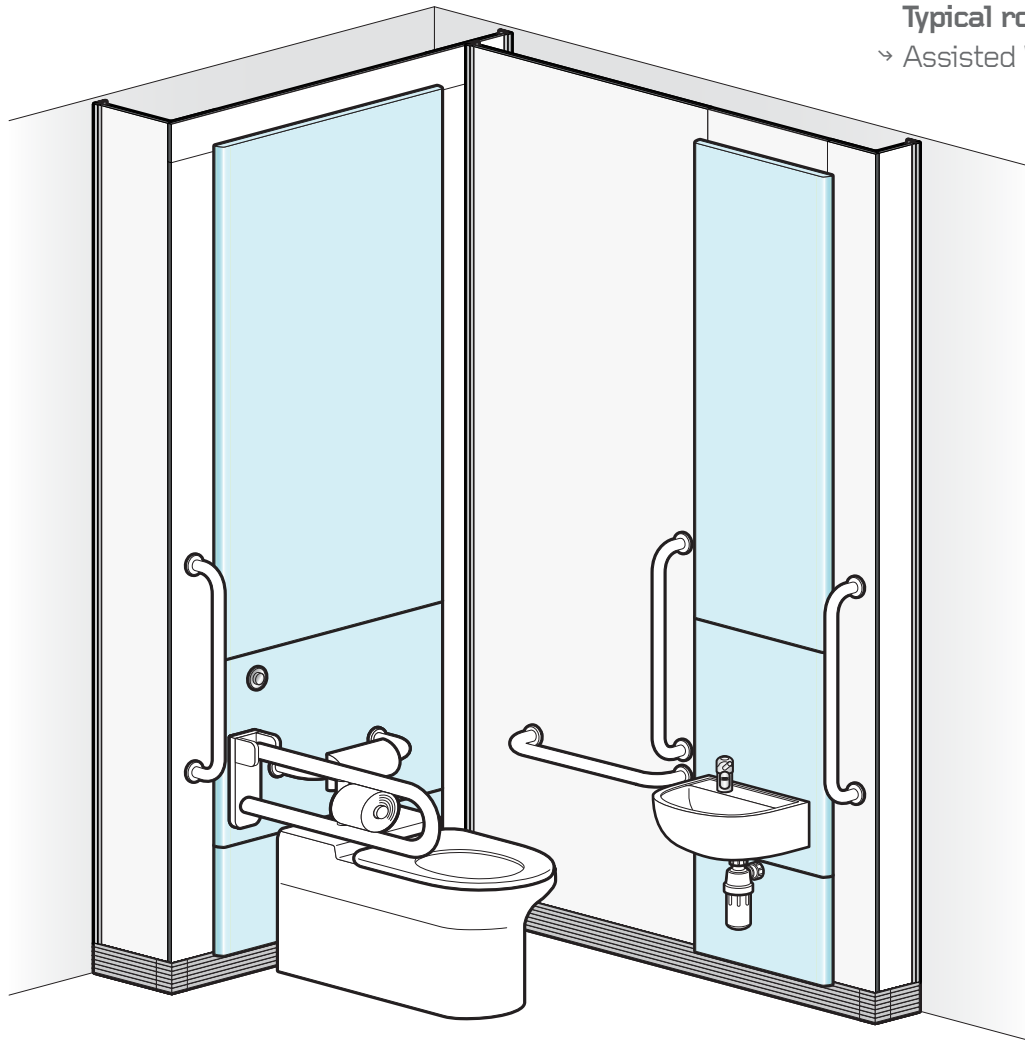


## Typical room applications → Assisted WCs

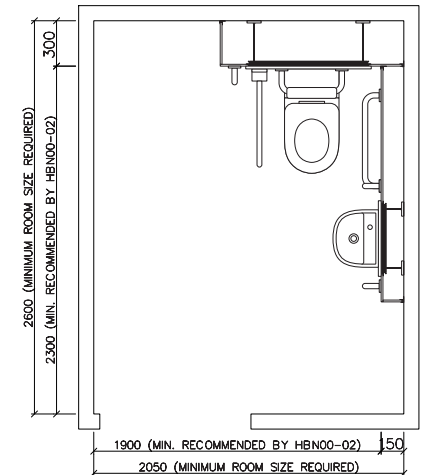
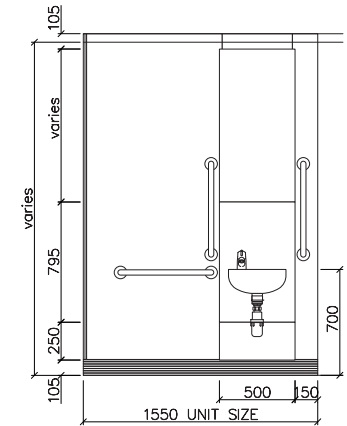
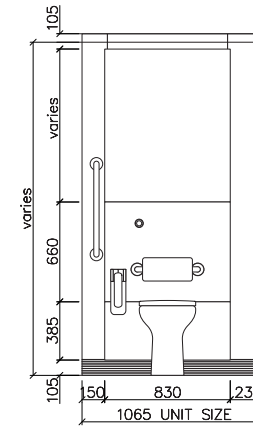


| Code      | Product description                                 | Ref.  | Flush/Cistern options  | Grab rails and back rest   | Seat options  |
|-----------|---|-------|--|--|---|
| CHWCBTW70 | Chartham Rimless 700<br>BTW WC Pan<br>Raised Height | WC HD | 6L Cistern with Extended<br>Lever                                    | DM0190WH/BL Grab Rail Kit<br>White/Blue<br>DM0167WH/BL Back Rest<br>White/Blue   | CHSEATSPW Chartham<br>Seat White<br>CHSEATSPB Chartham<br>Seat Blue<br>CHSEATSFT Cover and<br>Soft Close Seat White |
|           |   |       | 6L Pneumatic Single Flush Cistern<br>with Palm Push – as illustrated |  |   |
|           |   |       | 6/4L Pneumatic Dual Flush<br>Cistern with Dual Flush Plate           |  |   |
|           |   |       | 6L Cistern with Sensor Flush   |  |   |
| AV1498WH  | Avalon Rimless 700<br>BTW WC Pan<br>Raised Height   | WC HD | 6L Low Level Cistern with<br>Lever                                   | GR76032WH/BL Hinged<br>Support Rail White/Blue<br>GR60035WH/BL Grab Rail x4<br>White/Blue<br>DM0167WH/BL Back Support<br>with Cushion White/Blue | AV7861WH Ring Seat White<br>AV7861BE Ring Seat Blue<br>AV7861GY Ring Seat Grey                                      |
|           |   |       | 6L Pneumatic Single Flush<br>Cistern with Push Button                |  |   |
|           |   |       | 6/4L Pneumatic Dual Flush<br>Cistern with Dual Flush Plate           |  |   |
|           |   |       | 6L Cistern with Sensor Flush   |  |   |

# Typical ensuite and assisted WC areas



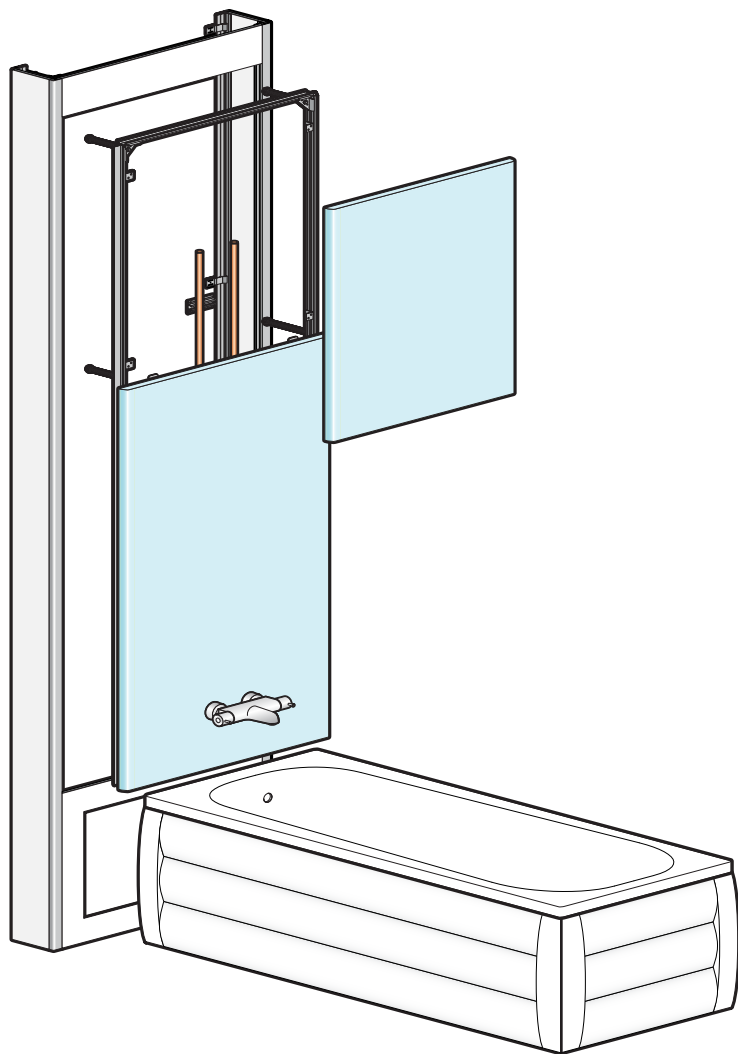
Typical room applications  
 → Assisted WCs



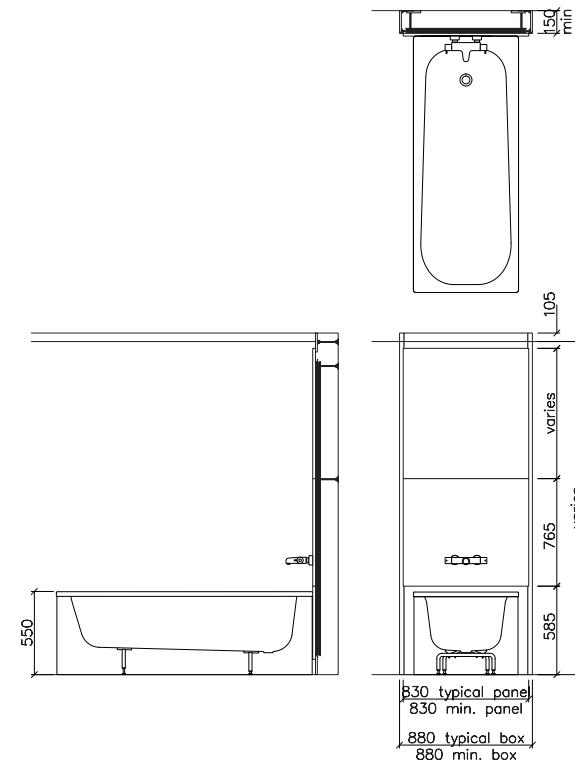
See pages 21 and 25 for product specifications.

# Bath assembly BA G

for use in connection with personal bathing

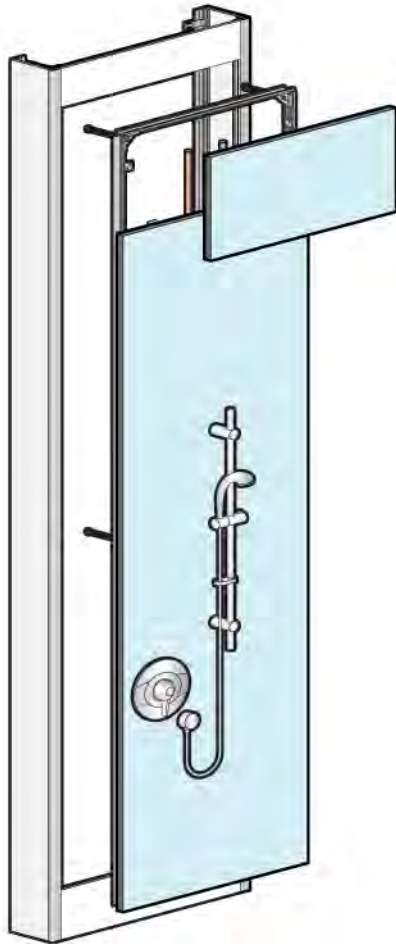


Typical room applications  
 ↳ Bathrooms



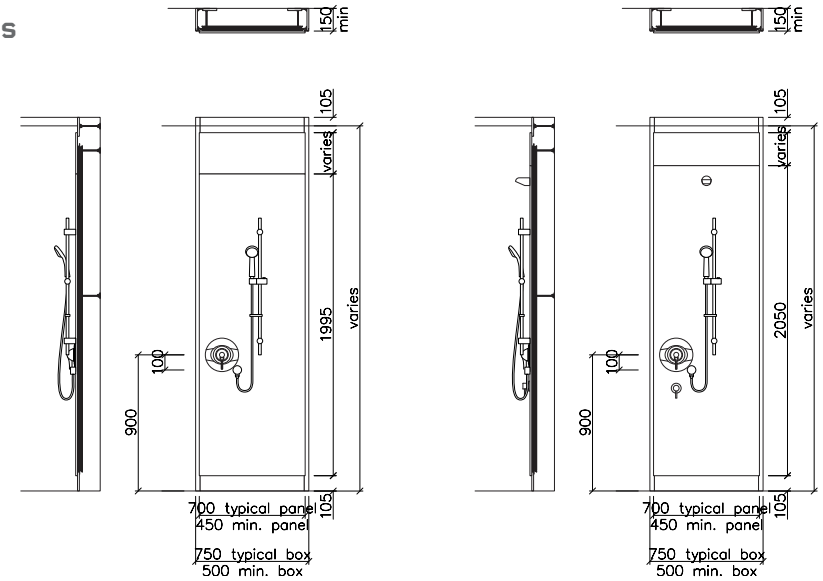
| Code     | Product description                                      | Ref. | Brassware options   | Ref. | Fittings and waste | Thermostatic mixing TMV3 |
|----------|--|------|---|------|--------------------|--------------------------|
| NE9590WH | Neptune 1700 Steel Bath<br>No Tap Holes and No Handgrips | BA G | AC50010CP Thermostatic Panel<br>Mounted Lever Action Bath Filler TMV3<br>– as illustrated | TB6  | WF5344CP           | AC17-047                 |
|          |  |      | VR01-024 High Security Bath Filling<br>Backplate  | TB6  |                    |                          |

# Typical shower assembly <sup>TM1</sup>



## Typical room applications

- ↳ Ensuites
- ↳ Bathrooms



| Code    | Product description  | Operation   | Ref. |
|---------|--|---|------|
| B9306AA | Single Function Handspray, 900mm Rail and 1800mm Spiral Hose | SCSSEQCN1 Thermostatic Sequential Lever Operated Concealed Shower Valve TMV3 - as illustrated<br><br>SF1155CP Sola Thermostatic Sequential Lever Operated Concealed Shower Valve<br><br>SH07-010 Wave On/Off Sensor, SH00-011 Temperature Blending Valve and AC17-047 TMV | TM 1 |
| AVSH001 | Fixed Panel Mounted Shower Head                              | SH07-010 Wave On/Off Sensor, SH00-011 Temperature Blending Valve and AC17-047 TMV   | TM 1 |

If combined shower head options are required, the SF1204CP Panel Mounted Diverter Valve is required

# Mental healthcare



A range of pre-plumbed solutions developed specifically for high or low security applications.



# Safe ensuites

Developed in partnership with Dart Valley Systems, Ready Plumbed Modules for safe ensuites combine a dedicated range of high or low security sanitaryware with the Bushboard rigid aluminium frame and panel system.

The result is a range of ready plumbed solutions that are manufactured to the highest quality and are quick and simple to install.

Panels are manufactured exclusively from high density Solid Grade Laminate (SGL), a strong, highly impact resistant material that is robust, durable and impervious to water, whilst the pre-built rigid frame is manufactured from extruded aluminium.

## Sanitaryware

Our range of high and low security sanitaryware offers the option of floor mounted or panel mounted WCs with sensor flush options that are both vandal proof and virtually ligature free.

## High Security Sanitaryware

Unlike conventional sanitaryware, the structure of safe ensuite products is virtually indestructible. An attractive alternative to stainless steel, this high impact resistant sanitaryware is manufactured from anti-shatter moulded resin.

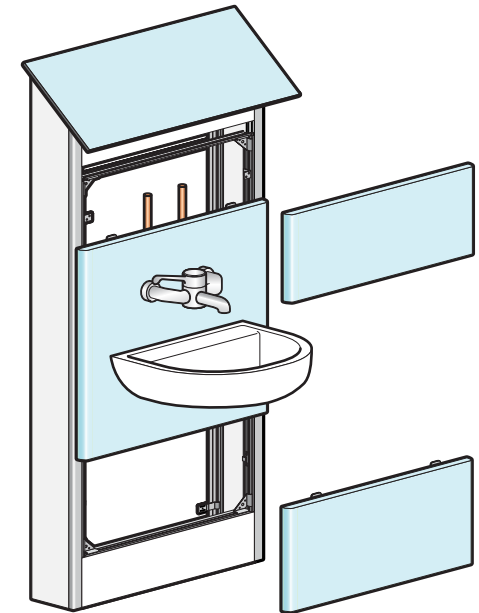
Finished with a sanitaryware grade gel-coating which provides high chemical resistance, these WCs and washbasins are of a unique and unrivalled design and are both hygienic and attractive.

## Low Security Sanitaryware

Alternative sanitaryware can be used in low risk areas.

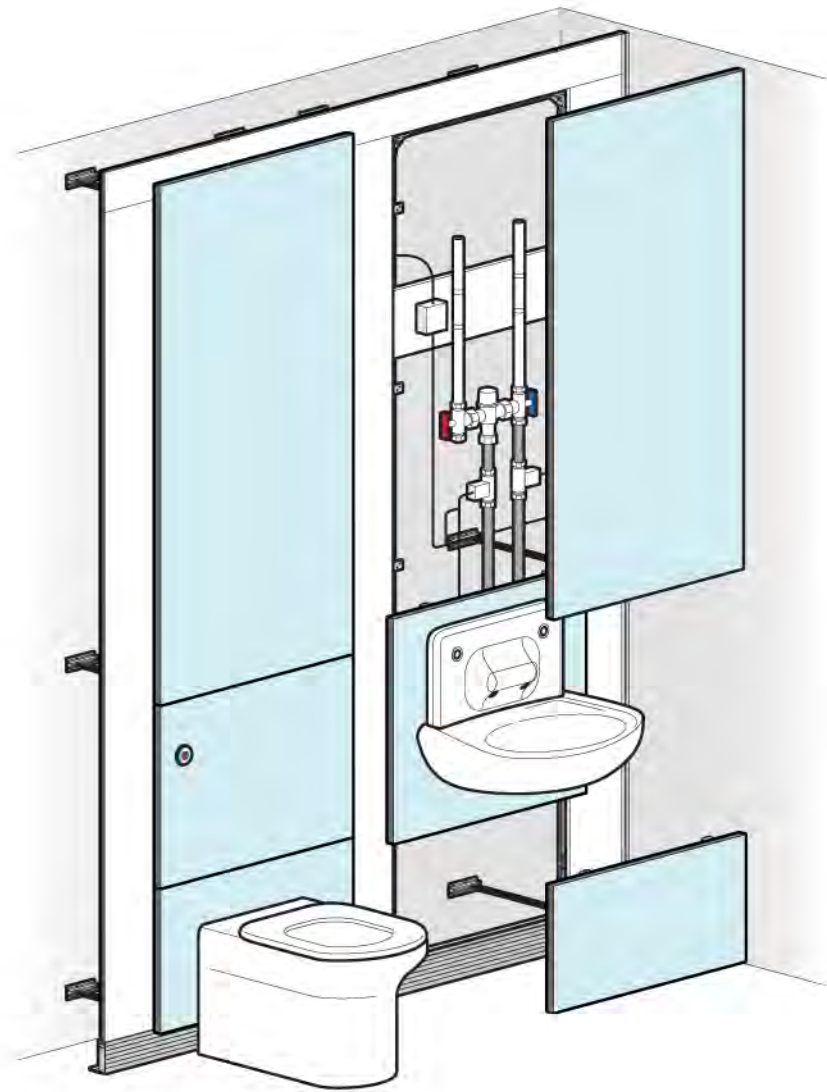
## Shelf Height Boxed Out Unit with Sloping Lid

As well as floor to ceiling height units, half height Ready Plumbed Modules are available with sloping lids, designed for low and high risk areas.



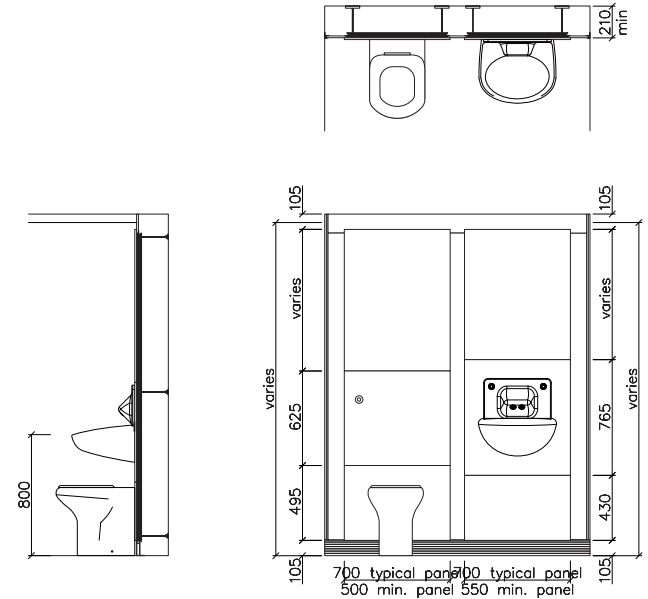
Unfortunately we cannot guarantee protection against those intent on self harm, but consider the designs and precautions taken are to a very high standard, thus reducing the risks significantly.

# Low risk with back to wall WC



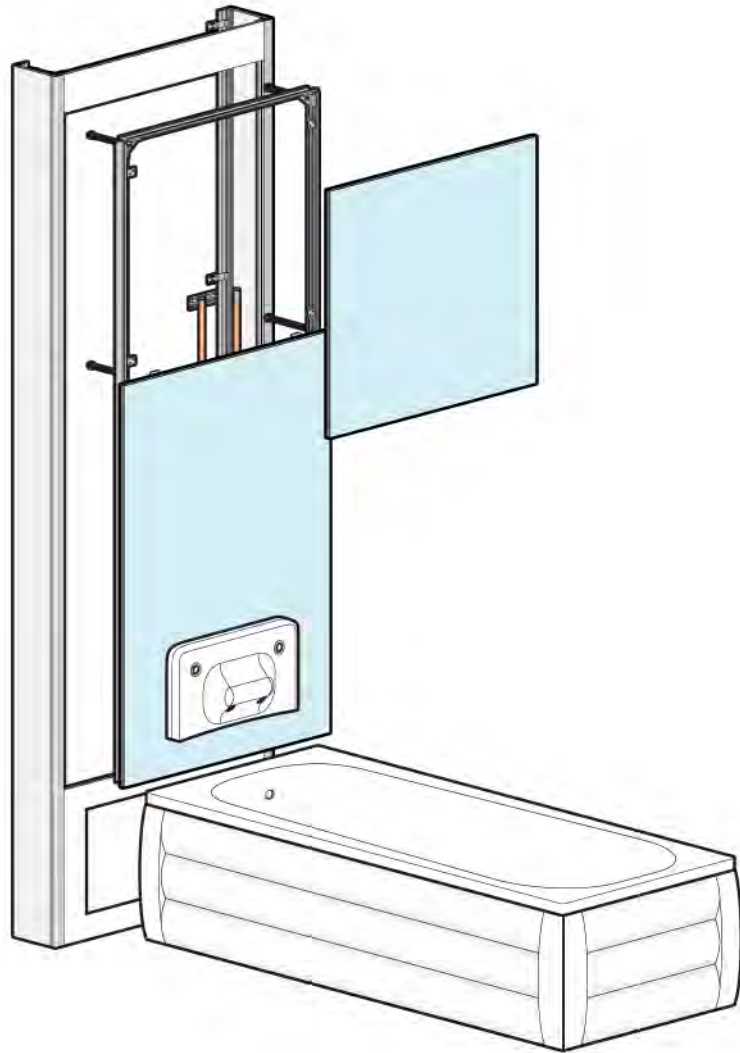
## Typical room applications

- ↳ Patient WCs
- ↳ Ensuites



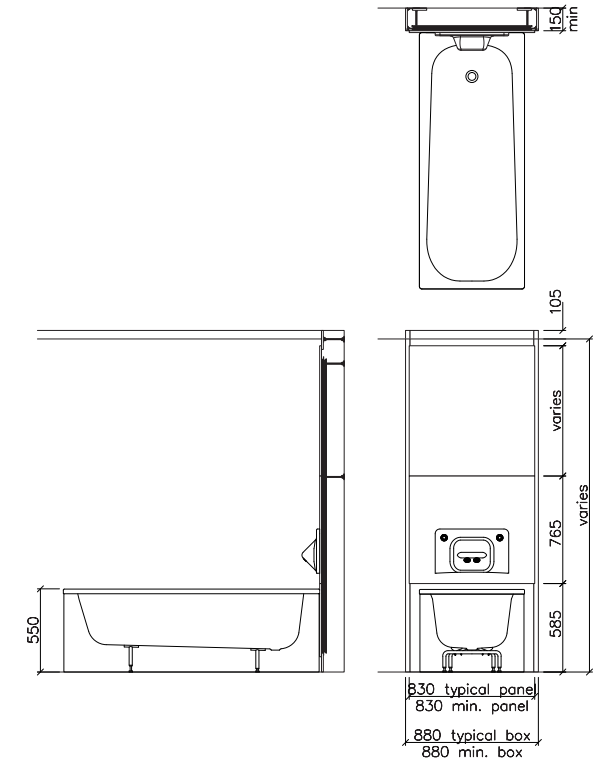
| Code      | Product description  | Ref.   | Backplate options  | Operation options  |
|-----------|--|--------|--|--|
| SA4280WH  | Sola Spectrum Clinical Basin 500 No Tap Hole, Overflow or Chain Hole Back Outlet | LB H M | VR01-023 High Security Backplate and AT07-001 Control Kit – as illustrated | Wave On Sensors<br>Tactile Switch  |
| Code      | Product description  | Ref.   | Flush/Cistern options  | Seat options   |
| CHWCBTW48 | Chartham Rimless 480 BTW WC Pan Raised Height                                    | WC H   | 6L Cistern with Lever  | CHSEATSPW Chartham Seat White<br>CHSEATSPB Chartham Seat Blue<br>CHSEATSFT Cover and Soft Close Seat White |
|           |  |        | 6L Pneumatic Single Flush Cistern with Palm Push                           |  |
|           |  |        | 6/4L Pneumatic Dual Flush Cistern with Dual Flush Plate                    |  |
|           |  |        | 6L Cistern with Sensor Flush – as illustrated                              |  |
| AV1968WH  | Avalon Rimless BTW WC Pan Raised Height  | WC H   | 6L Low Level Cistern with Lever  | AV7861WH Ring Seat White<br>AV7861BE Ring Seat Blue<br>AV7861GY Ring Seat Grey                             |
|           |  |        | 6L Pneumatic Single Flush Cistern with Push Button                         |  |
|           |  |        | 6/4L Pneumatic Dual Flush Cistern with Dual Flush Plate                    |  |
|           |  |        | 6L Cistern with Sensor Flush   |  |

# Low risk bath assembly BA G



## Typical room applications

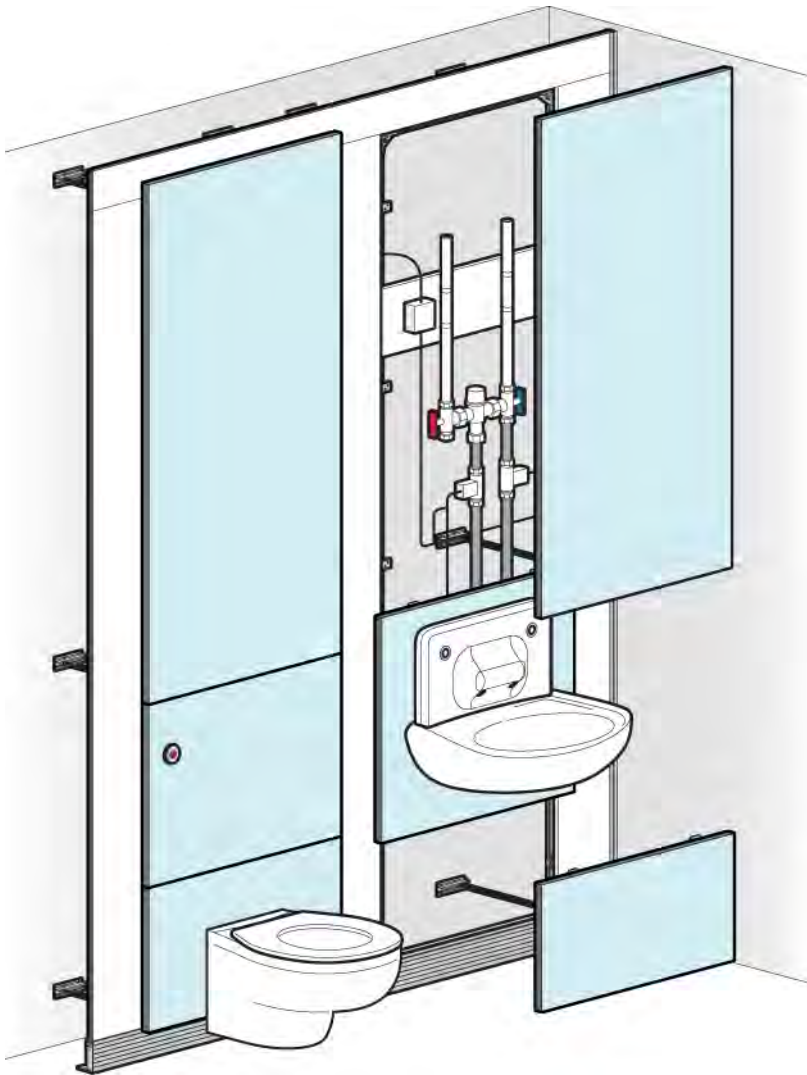
- Bathrooms
- Ensuites



| Code     | Product description                                      | Ref. | Brassware options   | Ref. | Fittings and waste | Thermostatic mixing TMV3 |
|----------|--|------|---|------|--------------------|--------------------------|
| NE9590WH | Neptune 1700 Steel Bath<br>No Tap Holes and No Handgrips | BA G | VR01-024 High Security Bath Filling<br>Backplate – as illustrated | TB6  | WF5344CP           | AC17-047                 |

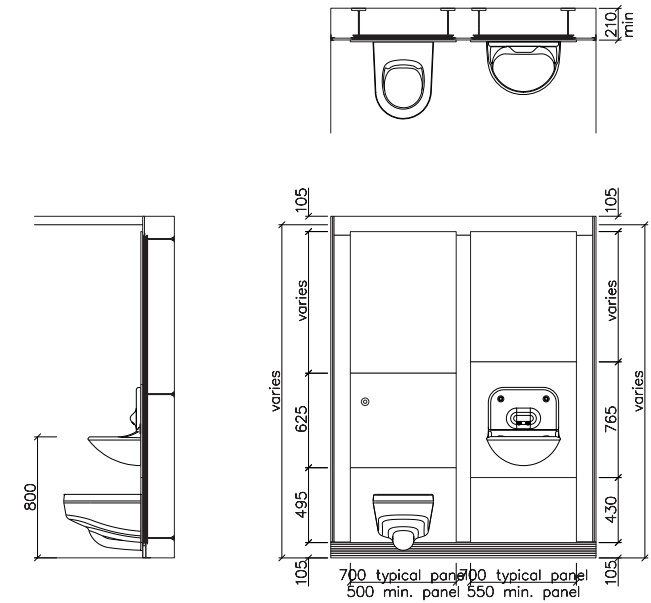


# Low risk with wall hung WC



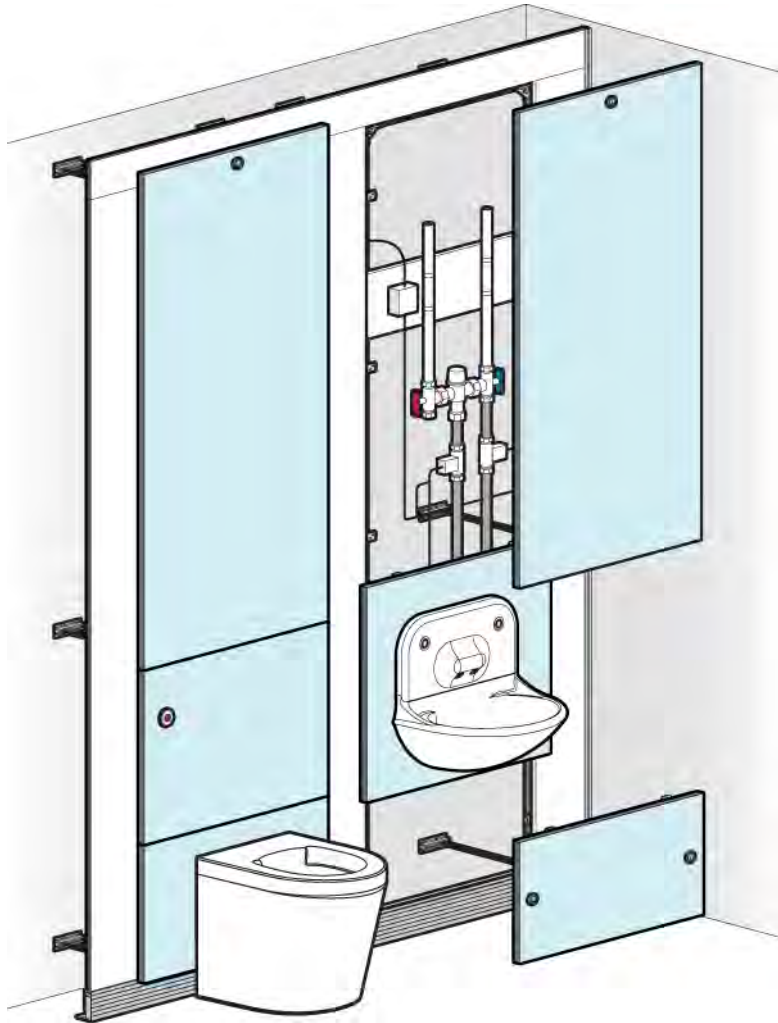
## Typical room applications

- ↳ Patient WCs
- ↳ Ensuites

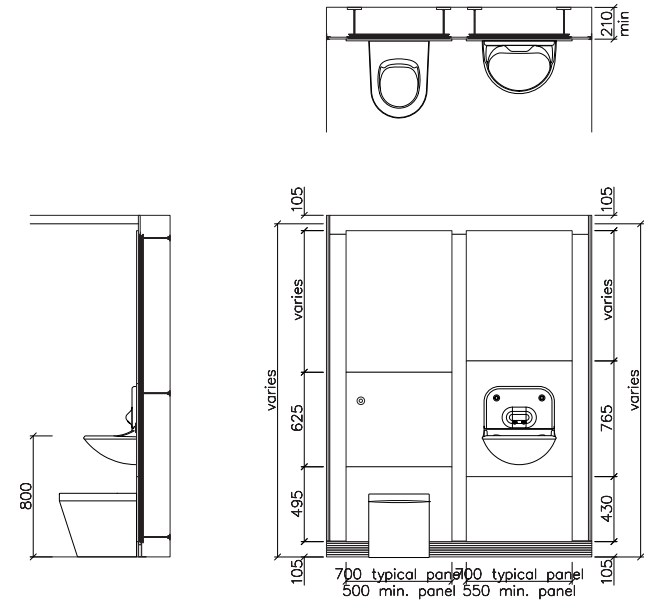


| Code     | Product description  | Ref.   | Backplate options   | Operation options  |
|----------|--|--------|---|--|
| SA4280WH | Sola Spectrum Clinical Basin 500 No Tap Hole, Overflow or Chain Hole Back Outlet | LB H M | VR01-023 High Security Backplate and AT07-001 Control Kit – as illustrated                                    | Wave On Sensors<br>Tactile Switch  |
| Code     | Product description  | Ref.   | Flush/Cistern options   | Seat options   |
| SA1738WH | Sola Rimless Wall Hung WC Pan  | WC H   | 6L (or 4L) Cistern with Lever<br>6L Cistern with Push Button<br>6L Cistern with Sensor Flush – as illustrated | AV7861WH Ring Seat - White<br>AV7861BE Ring Seat - Blue<br>AV7861GY Ring Seat - Grey |

# High risk with back to wall WC



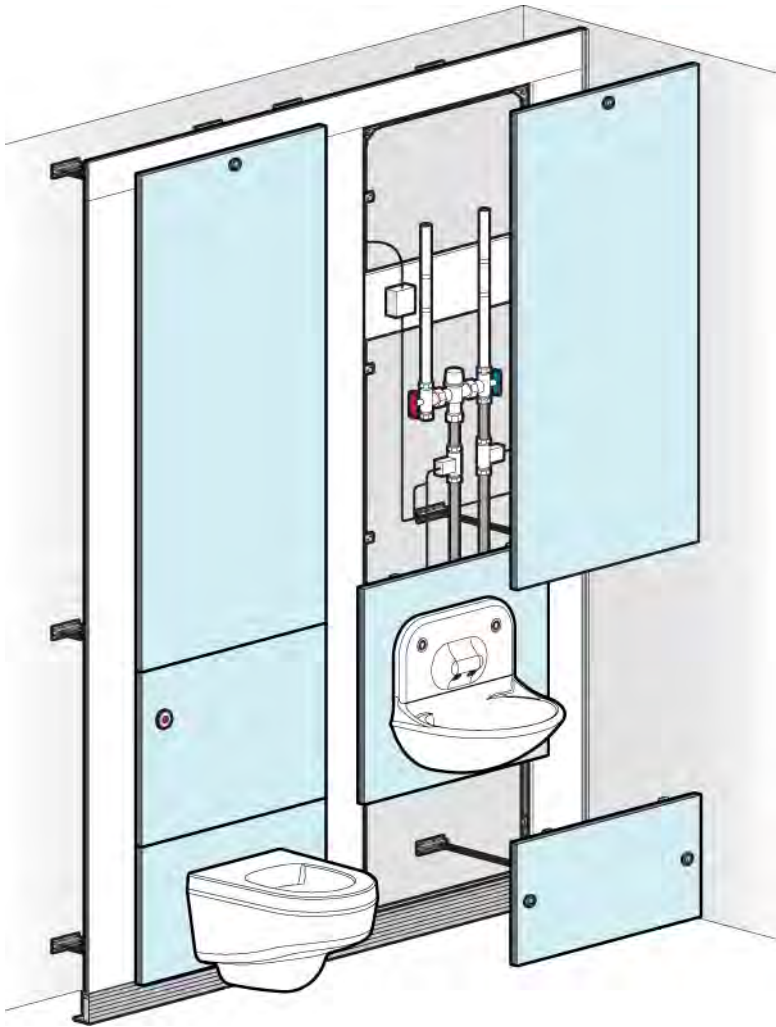
Typical room applications  
 ↳ Ensuites



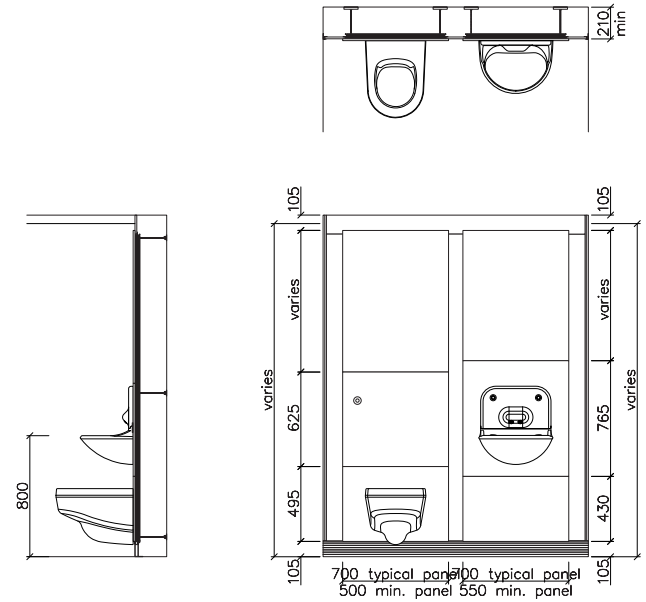
| Code     | Product description                        | Control kit | Fittings and waste                | Thermostatic Mixing Valve TMV3 |
|----------|--|-------------|-----------------------------------|--------------------------------|
| VR01-005 | High Security Wash Basin and Backplate Set | AT07-001    | VR01-028 High Security Grid Waste | AC17-047                       |

| Code     | Product description  | Flush/Cistern options                                       |
|----------|----------------------|---|
| VR01-010 | High Security BTW WC | 6L Cistern with Push Button<br>6L Cistern with Sensor Flush |

# High risk with wall hung WC



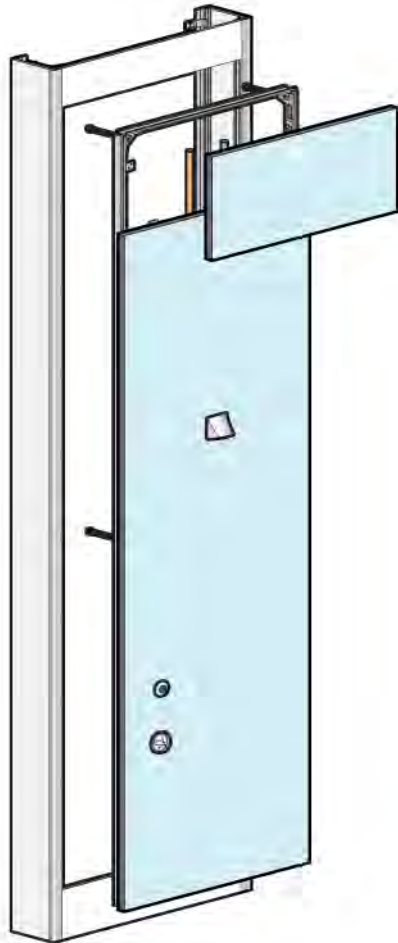
Typical room applications  
 ↳ Ensuites



| Code     | Product description                        | Control kit | Fittings and waste                | Thermostatic Mixing Valve TMV3 |
|----------|--|-------------|-----------------------------------|--------------------------------|
| VR01-005 | High Security Wash Basin and Backplate Set | AT07-001    | VR01-028 High Security Grid Waste | AC17-047                       |

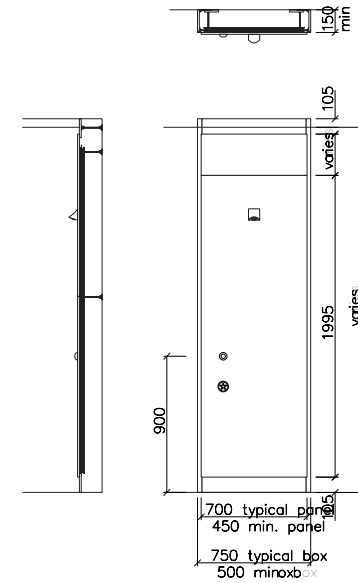
| Code     | Product description        | Flush/Cistern options                                       |
|----------|----------------------------|---|
| VR01-017 | High Security Wall Hung WC | 6L Cistern with Push Button<br>6L Cistern with Sensor Flush |

# High risk shower assembly <sup>TM1</sup>



## Typical room applications

- Bathrooms
- Ensuites



| Code     | Product description                              | Operation   | Ref. |
|----------|--|---|------|
| SCSHEAD1 | Anti-Ligature Fixed Shower Head – as illustrated | SH07-010 Wave On/Off Sensor<br>SH00-011 Temperature Blending Valve and AC17-047 TMV | TM1  |

# Sanitaryware and brassware



A carefully selected range of sanitaryware and brassware, specifically chosen to meet the needs of clinical environments.



# Sanitaryware

## Basins



**Chartham Clinical Basin**  
**CHBWH50BO LB H M**  
 500 No Tap Hole,  
 Overflow or Chain Hole  
 Back Outlet



**Chartham Medical  
 Wash Basin**  
**CHBWH50RH LB G M**  
 500 RH Tap Hole, No  
 Overflow or Chain Hole

**CHBWH502T LB G M**  
 500 2 Tap Holes, No  
 Overflow or Chain Hole



**Chartham Medical  
 Handrinse Basin**  
**CHBWH38RH LB G S**  
 380 RH Tap Hole, No  
 Overflow or Chain Hole

**CHBWH38LH LB G S**  
 380 LH Tap Hole, No  
 Overflow or Chain Hole



**Sola Spectrum  
 Clinical Basin**  
**SA4280WH LB H M**  
 500 No Tap Hole,  
 Overflow or Chain Hole  
 Back Outlet



**Sola Medical  
 Wash Basin**  
**SA4255WH LB G M**  
 500 RH Tap Hole, No  
 Overflow or Chain Hole

**SA4252WH LB G M**  
 500 2 Tap Holes, No  
 Overflow or Chain Hole

**SA4355WH LB G L**  
 600 RH Tap Hole, No  
 Overflow or Chain Hole

**SA4352WH LB G L**  
 600 2 Tap Holes, No  
 Overflow or Chain Hole



**Sola Medical  
 Handrinse Basin**  
**SA4155WH LB G S**  
 400 RH Tap Hole, No  
 Overflow or Chain Hole

**SA4156WH LB G S**  
 400 LH Tap Hole, No  
 Overflow or Chain Hole

## WCs



**Chartham Rimless  
 480 BTW WC Pan  
 Raised Height**  
**CHWCBTW48 WC H**  
**CHSEATSPW**  
 Seat only, White

**CHSEATSPB**  
 Seat only, Blue

**CHSEATSFT**  
 Cover and Soft  
 Close Seat, White



**Chartham Rimless  
 700 BTW WC Pan  
 Raised Height**  
**CHWCBTW70 WC HD**

**CHSEATSPW**  
 Seat only, White

**CHSEATSPB**  
 Seat only, Blue

**CHSEATSFT**  
 Cover and Soft Close  
 Seat, White



**Avalon Rimless  
 BTW WC Pan  
 Raised Height**  
**AV1968WH WC H**

**AV7861WH** Seat only White

**AV7861BE** Seat only Blue

**AV7861GY** Seat only Grey



**Avalon Rimless 700  
 BTW WC Pan  
 Raised Height**

**AV1498WH WC HD**

**AV7861WH** Seat only White

**AV7861BE** Seat only Blue

**AV7861GY** Seat only Grey



**Sola Rimless  
 Wall Hung WC Pan**

**SA1738WH WC H**

**AV7861WH** Seat only White

**AV7861BE** Seat only Blue

**AV7861GY** Seat only Grey

# Sanitaryware

## Urinals



Chartham Concealed  
Trap Urinal  
CHURINLCT UR H



Spectrum Concealed  
Trap Urinal  
VC7004WH UR H

## Bidet



Sola Bidet  
SA3521WH BD H  
1 Tap Hole, No Overflow  
or Chain Hole

## Mental health



High Security  
BTW WC  
VR01-010



High Security  
Backplate Only  
VR01-023  
for SA4280WH  
Spectrum Basin



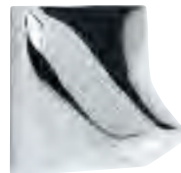
High Security Wall  
Hung WC  
VR01-017 WC H



High Security Bath  
Filling Backplate  
VR01-024 TB6



High Security  
Washbasin  
and Backplate set  
VR01-005



Anti-Ligature Fixed  
Shower Head  
SCSHEAD1 TM1

## Flush options



Chrome Plated Lever  
For 6 litre cisterns



Chrome Plated  
Push Button  
For 6 litre cisterns



Chrome Plated  
Extended Lever  
For 6 litre cisterns



Pneumatic Dual  
Flush Valve  
For 6 litre and 4.5  
litre cisterns



No Touch Sensor  
Flush  
For WCs or Urinals



Palm Push Button  
For 6 litre cisterns

# Brassware

## Manual taps



Thermostatic Sequential  
Panel Mounted Lever  
Action Tap TMV3

SCTHTMLV1 TB H2a



Thermostatic Sequential  
Panel Mounted Lever  
Action Tap TMV3

SF1056CP TB H2a



Manual AquariTherm  
Panel Mounted Lever  
Action Tap

MT04-001 TB H2a



Thermostatic Sequential  
Basin Mounted Lever  
Action Mixer Tap TMV3

SCTDMSEQ1 TP6  
SCTDMTAIL Copper Tail Kit



Thermostatic Basin  
Mounted Lever Action  
Mixer Tap TMV3

SF1053CP TP6



Basin Mounted Lever  
Action Pillar Taps\* (pr)

SF2401CP TP5



Basin Mounted Lever  
Action Pillar Taps (pr)

DLT101 TP5



Panel Mounted Lever  
Action Bib Taps with  
6" Levers (pr)

DLV095 TB H1



Panel Mounted Lever  
Action Bib Taps\* (pr)

SF2301CP TB H1



High Neck Basin  
Mounted Lever  
Pillar Taps\* (pr)

SF2403CP TP3



# Brassware

## Sensor taps



Thermostatic Panel Mounted Infrared Sensor Tap TMV3 (battery)

SCTHTMSR1 TB H6



Thermostatic Panel Mounted Infrared Sensor Tap TMV3 (battery)

SF1119CP TB H6  
SF1020CP Electric Conversion Kit



250mm Panel Mounted Tap Spout and Sensor with Copper Tails

AT02-022 TB H6



2 No. 240mm Panel Mounted Tap Spouts and Wave On/Off Sensors\*

AT07-049 TB H1



200mm Panel Mounted Scrub Up Tap Spout and Sensor\*

AT02-053 TB H6



A45 Basin Mounted Sensor Tap with Copper Tails

AT03-021 TP6



A45 Short Basin Mounted Sensor Tap with Copper Tails

AT03-022 TP6



AquariTherm Panel Mounted Sensor Tap

AT04-001 TB H6

\* For hospital use these items will require AT00-038 copper tail conversion kit

# Stainless steel



600mm Disposal Hopper  
**G22041N**  
DU



1000mm Disposal Unit  
**G22016L**  
LH Drainer DU H  
**G22016R**  
RH Drainer DU H



1600mm Disposal Unit  
**G22018L**  
LH Drainer DU HS  
**G22018R**  
RH Drainer DU HS



Hospital Sink  
**G22002NT**  
Single Bowl 2 Tap Holes SK 1  
**G22004NT**  
Double Bowl 2 Tap Holes SK 2



Janitorial Unit c/w  
Monobloc Tap  
**G20050N**  
JU



1200mm Plaster Sink  
**G22000L**  
Plaster Sink & Worktop LH Drainer PS H  
**G22000R**  
Plaster Sink & Worktop RH Drainer PS H



Scrub-up Trough  
**G22029L**  
Single LH Outlet SU H1  
**G22029R**  
Single RH Outlet SU H1  
**G22030L**  
Double LH Outlet SU H2  
**G22030R**  
Double RH Outlet SU H2  
**G22031L**  
Triple LH Outlet SU H3  
**G22031R**  
Triple RH Outlet SU H3



Single Bowl Single Drainer  
**G22006L**  
1200mm LH Drainer No Tap Holes ST A  
**G22006R**  
1200mm RH Drainer No Tap Holes ST A  
**Single Bowl Double Drainer**  
**G22008D**  
1800mm No Tap Holes ST B  
**Double Bowl Single Drainer**  
**G22010L**  
1800mm LH Drainer No Tap Holes ST C  
**G22010R**  
1800mm RH Drainer No Tap Holes ST C

# Shower and bath options



**B9306AA Single Function Handspray 900mm Rail and 1800mm Spiral Hose**



**Anti Vandal Shower Head AVSH001**



**Thermostatic Panel Mounted Lever Action Bath Filler TMV3 AC50010CP TB6**



**High Security Bath Filling Backplate VR01-024 TB6**



**Neptune 1700 Steel Bath NE9590WH BA G No Tap Holes and No Handgrips**

## Lever Options:



**SCSSEQCN1 Thermostatic Sequential Lever Operated Concealed Shower Valve**



**SF1155CP Sola Thermostatic Sequential Lever Operated Concealed Shower Valve**



**SH07-010 Wave On/Off Sensor**

## Accessories

### Doc M Pack

#### SCDMBTWLB Pack includes:

- 1x Back to wall WC Pan
- 1x Handrinse Basin with Sequential Mixer Tap
- 1x 450mm Grab Rail
- 4x 600mm Grab Rails White/Blue
- 1x 760mm Hinged Support Rail
- 1x Back Support with Cushion

### Doc M Shower Pack

#### SCDMSHCWH Pack includes:

- 1x Fixed Shower Head
- 1x Handset and Hose
- 1x Concealed or Exposed Shower Valve
- 1x Diverter Valve
- 1x 760mm Hinged Support Rail
- 1x Shower Curtain and Rail
- 1x Robe Hook

### Grab rail kit

#### DM0190WH/BL Pack includes:

- 1x 450mm Grab Rail
- 4x 600mm Grab Rails
- 1x 760mm Hinged Support Rail
- 1x Back Support with Cushion

### Individual grab rails

#### GR45035WH/BL

450mm Grab Rail White/Blue

#### GR60035WH/BL

600mm Grab Rail White/Blue

#### GR76032WH/BL

760mm Hinged Support Rail White/Blue

#### DM0167WH/BL

Back Support with Cushion White/Blue

# Panel performance options

## Performance Specification

### Wet Areas/Mental Health

Areas subject to prolonged moisture, eg showers/baths or areas of high abuse.

Please note: There is no specific performance specification stipulated within HTM 68. The panel specification opposite is Bushboard's recommended option.

### HD Heavy Duty

High frequency use by public and others in areas where medical/nursing procedures are carried out and where assemblies may be damaged by wheeled equipment, accident or mis-use.

### Service

All Bushboard RPM units for Healthcare are bespoke manufactured, contact us for further details.

All 1mm pvc lipping applied with PUR adhesive. HPL is not suitable for wet environments.

\* nominal thickness

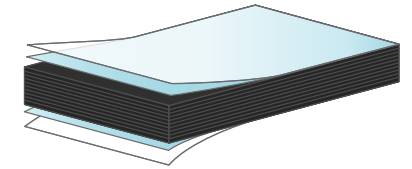
## Typical Panel Specification

### Solid Grade Laminate (SGL)

Solid Grade Laminate, 1400kg/m<sup>3</sup> impervious to water, suitable for the most demanding environments where strength and/or water resistance are needed.

↳ Finished panel thickness 13mm\*

↳ Polished radiused black edges

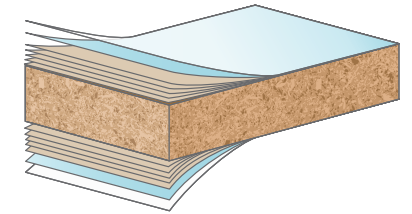


### High Pressure Laminate (HPL)

High Pressure Laminate bonded onto 630kg/m<sup>3</sup> density moisture resistant chipboard, suitable for dry environments with more intense use.

↳ Finished panel thickness 18mm\*

↳ Panels supplied square edge with matching 1mm pvc lipping or postformed vertical edges



### Colour Options

See our separate colour selector.

# Expert service and support...



Our industry expertise has been acquired through some of the largest PFI healthcare projects in the UK as well as minor refurbishments. Our professional service is delivered through a flexible approach to product design and manufacture and a dedicated Healthcare project team.

From planning to completion, we work with specifiers and contractors offering specialist technical advice, as well as support on planning, product specification and compliance with appropriate regulations including load testing, acoustic data and fire wall standards. Our Technical Project Managers work with contractors on site to ensure individual projects are successfully delivered.

We offer an NBS specification writing service, sample service and CAD blocks, which are available to download from our website:

**[www.bushboard-washrooms.co.uk](http://www.bushboard-washrooms.co.uk)**



# Acts and Regulations...



Bushboard Ready Plumbed Modules for Healthcare meet the following required standards:

- ↳ Health Building note 00-01 Part C: Sanitary assemblies
- ↳ The Equality Act 2010
- ↳ The Water Supply (Water Fittings) Regulations 1999
- ↳ The Water Supply (Water Fittings) Regulations 1999: WC Suite Performance Specifications
- ↳ The revised Healthcare Cleaning Manual 2009



“This is the first time that we have dealt with Bushboard. If I had to comment on one thing, it would be their excellent customer service. All contacts have been extremely patient and informative throughout the process; their main objective being to ensure that we are happy with both products and service”.

Paul Watson, Finance Manager, Leeds Student Medical Practice

Bushboard Washroom Systems Ltd  
Unit 1400 1st Floor Montagu Court  
Kettering Parkway  
Kettering Venture Park  
Kettering  
Northants  
NN15 6XR  
T 01536 533620  
F 01536 533648

[washrooms@bushboard-washrooms.co.uk](mailto:washrooms@bushboard-washrooms.co.uk)  
[www.bushboard-washrooms.co.uk](http://www.bushboard-washrooms.co.uk)

After Sales and Customer Care  
T 01536 533667

Colours in this brochure are as accurate as the printing process allows.  
Bushboard Washroom Systems Ltd reserves the right to alter or change specification without notice.