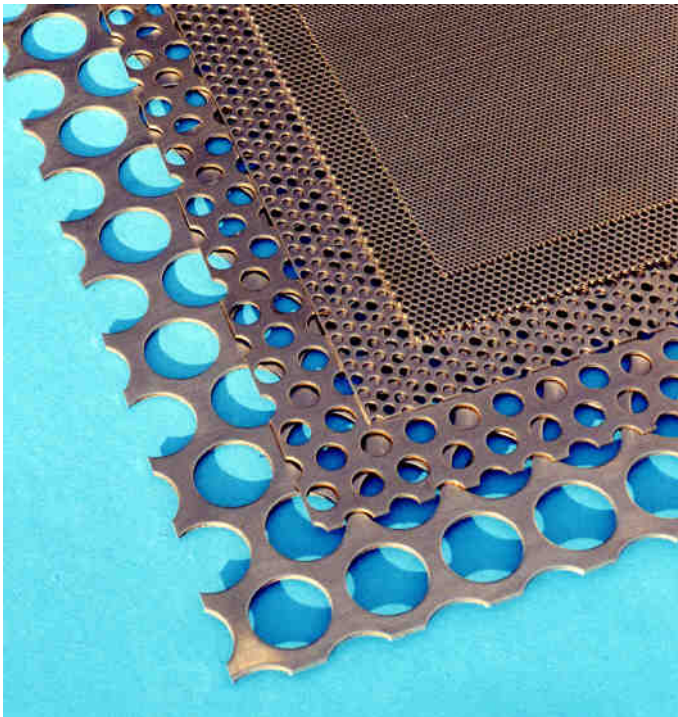


PERFORATED SHEET



We offer a full and comprehensive range of;

○ round hole

□ square hole

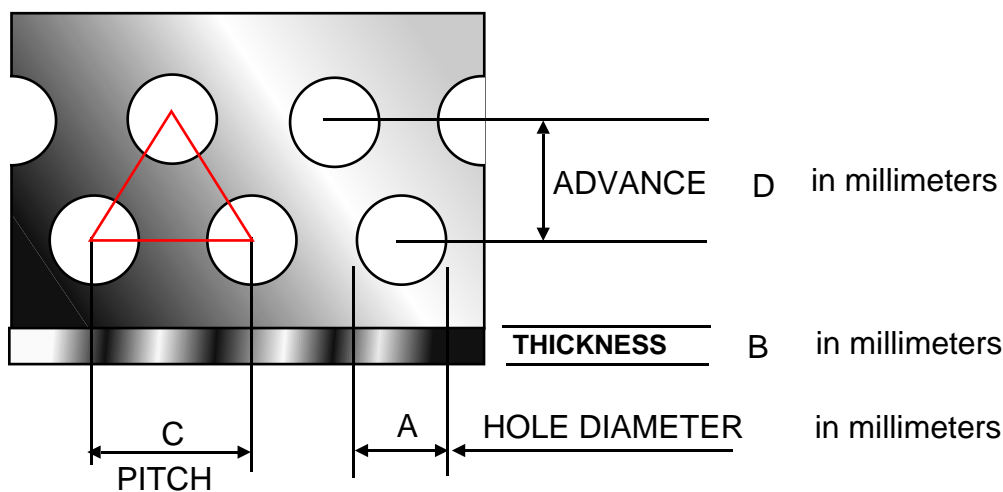
◻ slotted hole perforated sheet in:

stainless steel SS 304 and SS 316
 galvanised and mild steel,
 brass and aluminium.

Available as 'standard' pattern,
 or as 'special' patterns to suit
 customer preferences.

standard pattern

Architectural and 'artistic' patterns can be supplied.



Sheets are identified by the 'HOLE SIZE' **A**, the 'SHEET THICKNESS' **B**, and the 'PITCH' **C**

For 'standard' triangular pattern, the 'ADVANCE' **D = 0.866 x PITCH C**

Please specify the material required.

The SHEET THICKNESS **B** is always less than the hole size, eg, 1 mm hole, 0.8 mm thick, for a 3 mm hole, the sheet will be no more than 2 mm thick.